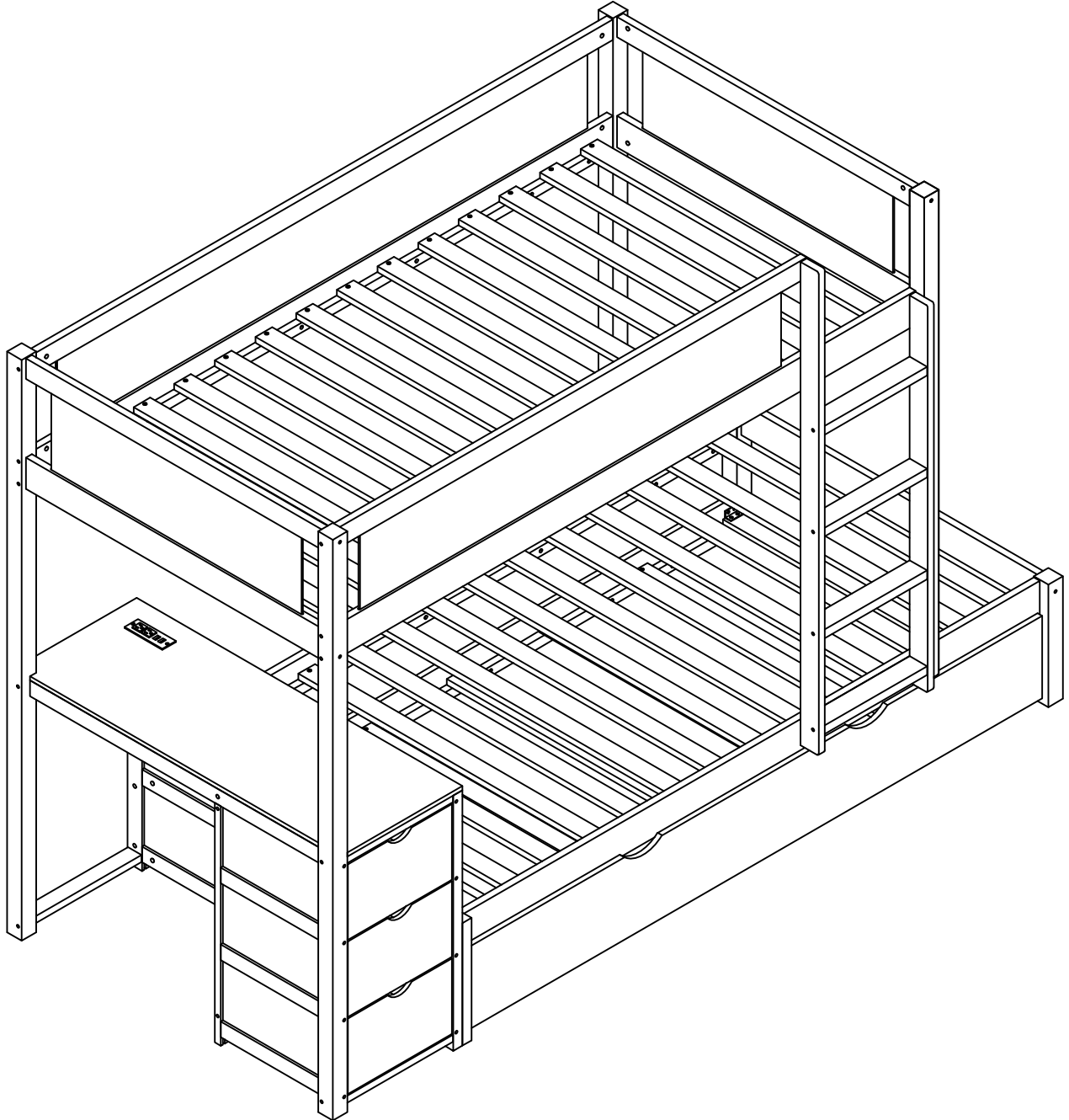


ASSEMBLY INSTRUCTIONS

Twin Twin Bunk Bed With CABINET



ASSEMBLY INSTRUCTIONS



SAFETY WARNINGS



1. This bed is designed for use only mattress (es) meeting the following specifications on the upper bunk, and lower bunk:

Upper bunk (bunk bed and tribed included)

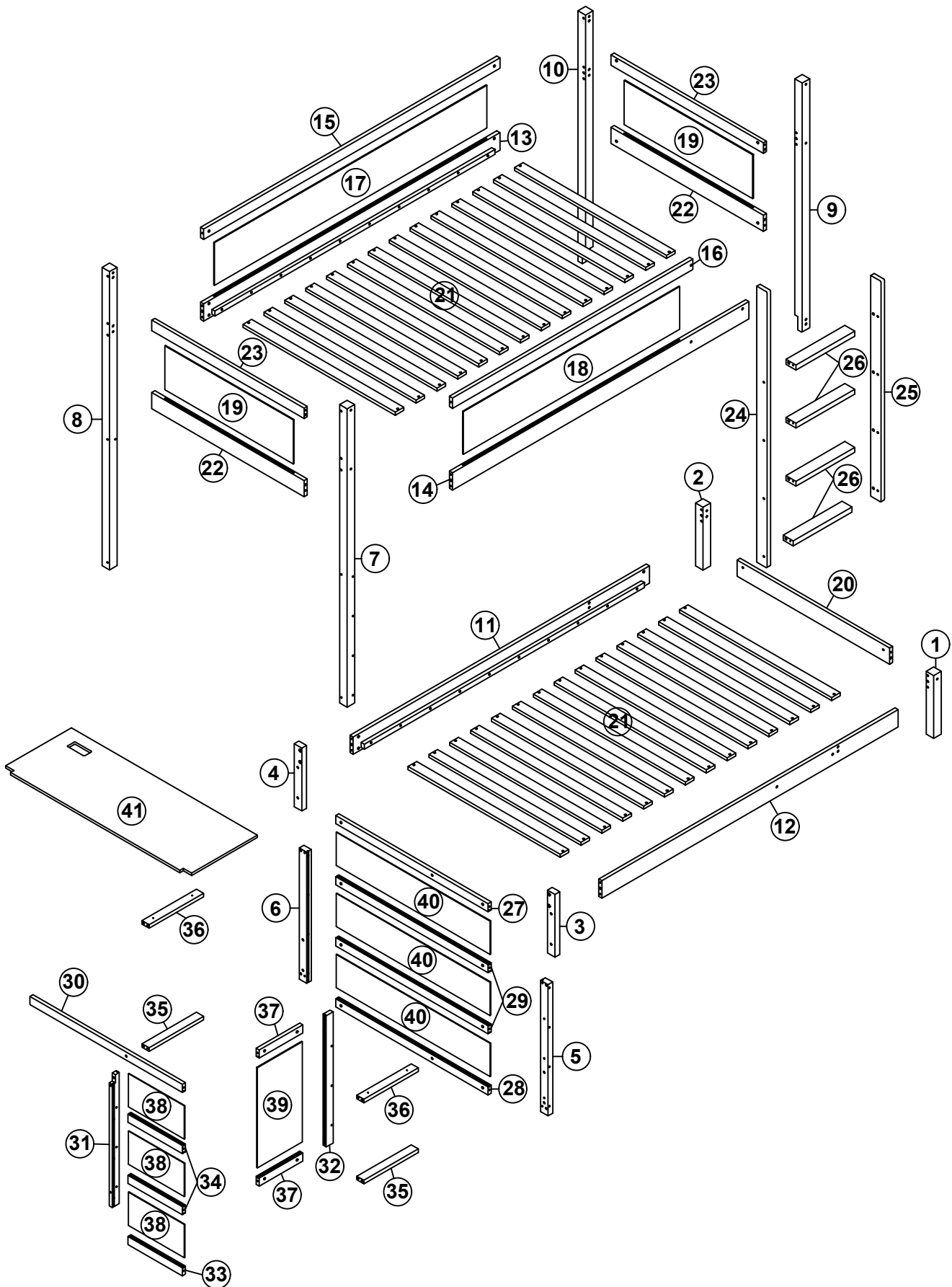
Bed Type	Length	Width	Thickness
Twin Standard	74" - 75"	37 $\frac{1}{2}$ " - 38 $\frac{1}{2}$ "	6" max

Lower bunk

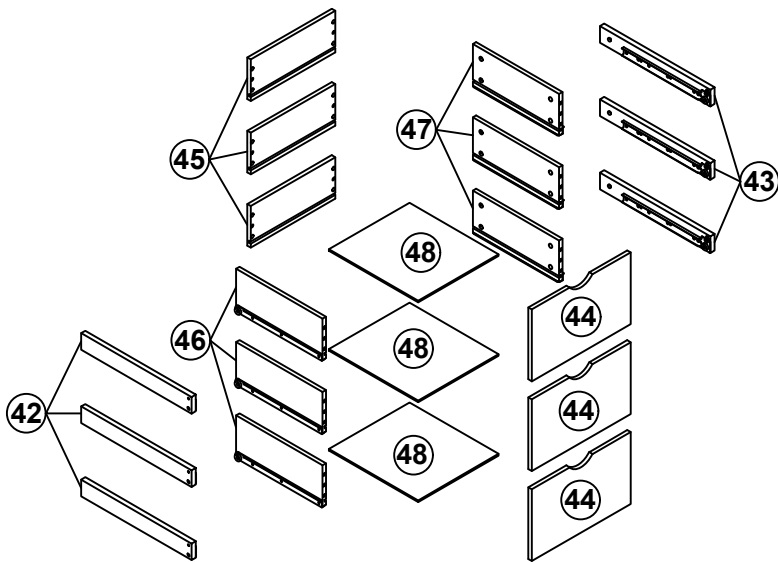
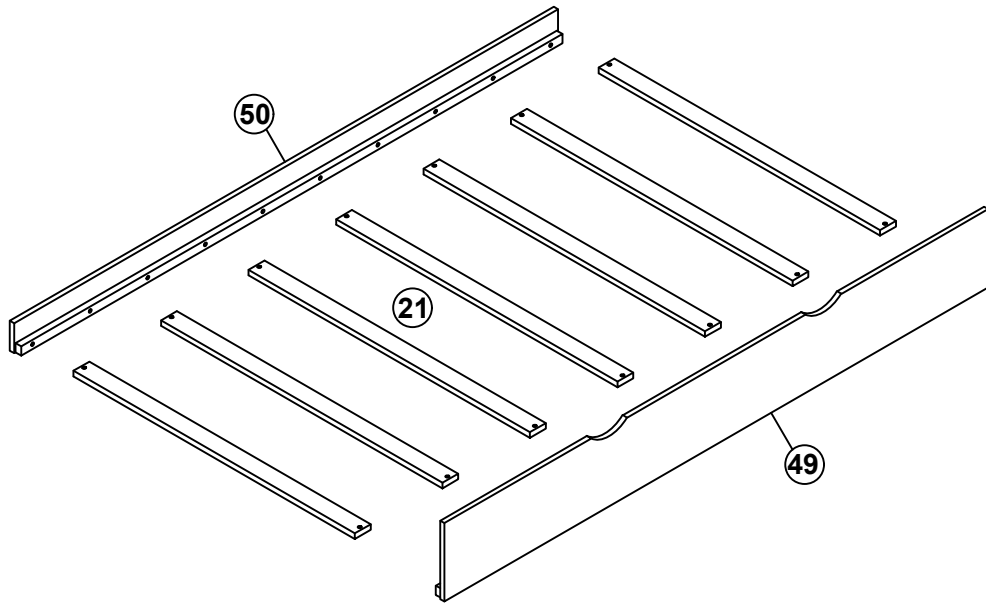
Bed Type	Length	Width	Thickness
Twin Standard	74" - 75"	37 $\frac{1}{2}$ " - 38 $\frac{1}{2}$ "	8" max

2. Replacement parts, including additional guardrails, maybe obtained from any of our dealers
3. Follow the information on the warnings appearing on the upper bunk bed end structure and on the carton. Do not remove warning label from bed.
4. Always use the recommended size mattresses or mattress supports, or both, to help prevent the likelihood of entrapment or falls.
5. Surface of mattress must be at least 5" (127mm) below the upper edge of guardrails.
6. Do not allow children under 6 years of age to use the upper bunk.
7. Periodically check and ensure that the guardrail, ladder, and other components are in their proper position, free from damage, and that all connectors are tight.
8. Do not allow horseplay on or under the bed and prohibit jumping on the bed.
9. Always use the ladder for entering and leaving the upper bunk.
10. Do not use substitute part. Contact the manufacture or dealer for replacement part.
11. Use of a night light may provide added safety precaution for a child using the upper bunk.
12. Always use guardrails on both long sides of the upper bunk. If the bunk bed will be placed next to the wall, the guardrail that runs the full length of the bed should be placed against the wall to prevent entrapment between the bed and wall.
13. The use of water or sleep flotation mattresses is prohibited.
14. **STRANGULATION HAZARD** - Never attach or hang items to any part of the bunk bed that are not designed for use with the bed; for example, but not limited to, hook, belts and jump ropes.
15. Keep these instruction for future reference.
16. Prohibit more than one person on upper bunk
17. We recommend assembling your bunk bed on the shipping carton to protect your floor or carpet.
18. Be certain all staples are out of the box before beginning assembly on the shipping carton.

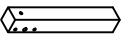
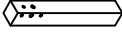
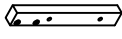
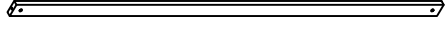
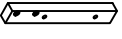
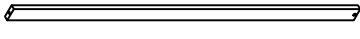
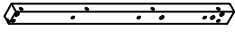
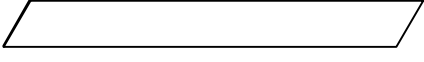
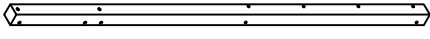
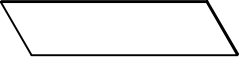
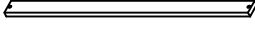
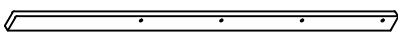

ASSEMBLY INSTRUCTIONS




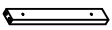
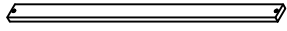


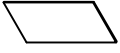

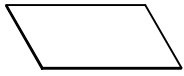
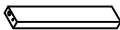
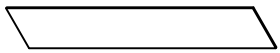
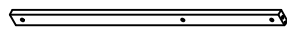


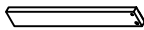

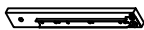
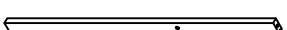



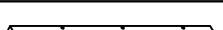
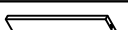

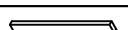

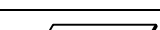
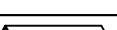
ASSEMBLY INSTRUCTIONS












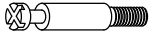







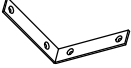

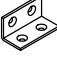
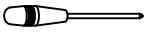

ASSEMBLY INSTRUCTIONS

1	Lower bunk leg		1pc	13	Side rails		1pc
2	Lower bunk leg		1pc	14	Side rails		1pc
3	Lower bunk leg		1pc	15	Back guard rails		1pc
4	Lower bunk leg		1pc	16	Front guard rails		1pc
5	Table leg		1pc	17	Back guard rails panel		1pc
6	Table leg		1pc	18	Front guard rails panel		1pc
7	Upper bunk leg		1pc	19	Headboard panel		2pcs
8	Upper bunk leg		1pc	21	Slats		21pcs
9	Upper bunk leg		1pc	24	Left stair side		1pc
10	Upper bunk leg		1pc	25	Right stair side		1pc
11	Side rails		1pc	49	Front trundle panel		1pc
12	Side rails		1pc	50	Back trundle panel		1pc

ASSEMBLY INSTRUCTIONS

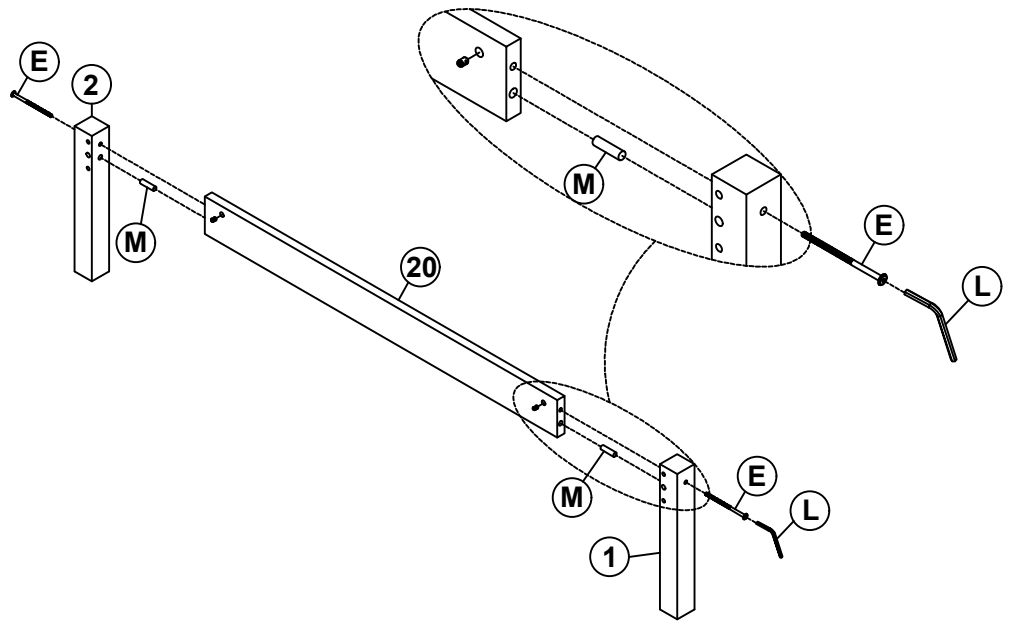
20	Headboard panel 	1pc	36	Table frame 	2pcs
21	Slats 	14pcs	37	Table frame 	2pcs
22	Headboard panel 	2pcs	38	Table frame panels 	3pcs
23	Headboard panel 	2pcs	39	Table frame panel 	1pc
26	Step stair 	4pcs	40	Table frame panel 	3pcs
27	Table crossbar 	1pc	41	Table top panel 	1pc
28	Table crossbar 	1pc	42	Drawers support panel 	3pcs
29	Table crossbar 	2pcs	43	Drawers support panel 	3pcs
30	Table crossbar 	1pc	44	Front drawers panel 	3pcs
31	Drawers support 	1pc	45	Back drawers panel 	3pcs
32	Drawers support 	1pc	46	Left drawers panel 	3pcs
33	Table frame 	1pc	47	Right drawers panel 	3pcs
34	Table frame 	2pcs	48	Bottom drawers panel 	3pcs
35	Table frame 	2pcs			




ASSEMBLY INSTRUCTIONS

A	Ø4x30		70PCS	K	6.5x60		13PCS
B	Ø4x25		10PCS	L	4x58		1PC
C	Ø4x15		32PCS	M	Ø10x40		34PCS
D	Ø3.5x12		10PCS	N	Ø8x30		18PCS
E	1/4x90		46PCS	O	Ø 6.5x35		24PCS
F	1/4x75		8PCS	P	Ø12x10		24PCS
G	1/4x60		9PCS	Q			1PC
H	1/4x60		2PCS	R	Ø38x46x38		4PCS
I	1/4x55		4PCS	S	95x95x20		2PCS
J	1/4x40		5PCS	T	40x20x20		2PCS
	Phillip head screw Not include			V	18x18x2		4PCS

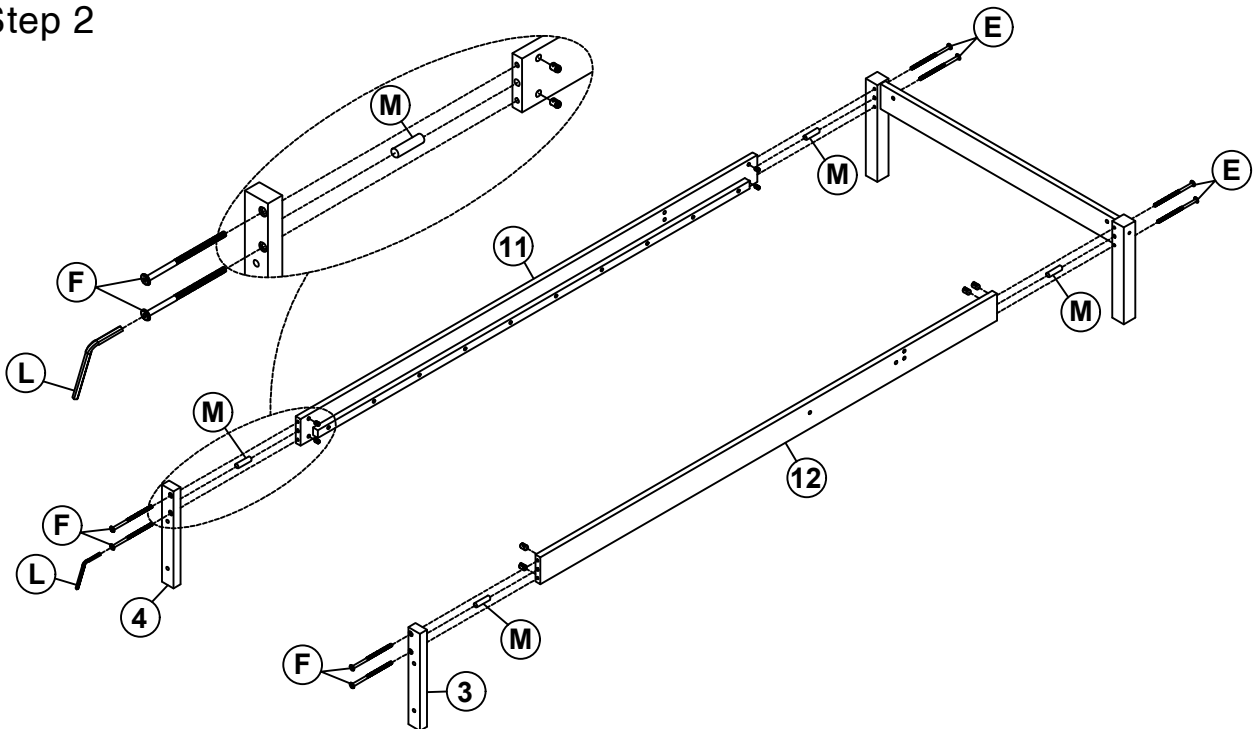
ASSEMBLY INSTRUCTIONS





Step 1



L	4x58		1PC
E	1/4x90		2PCS
M	Ø10x40		2PCS

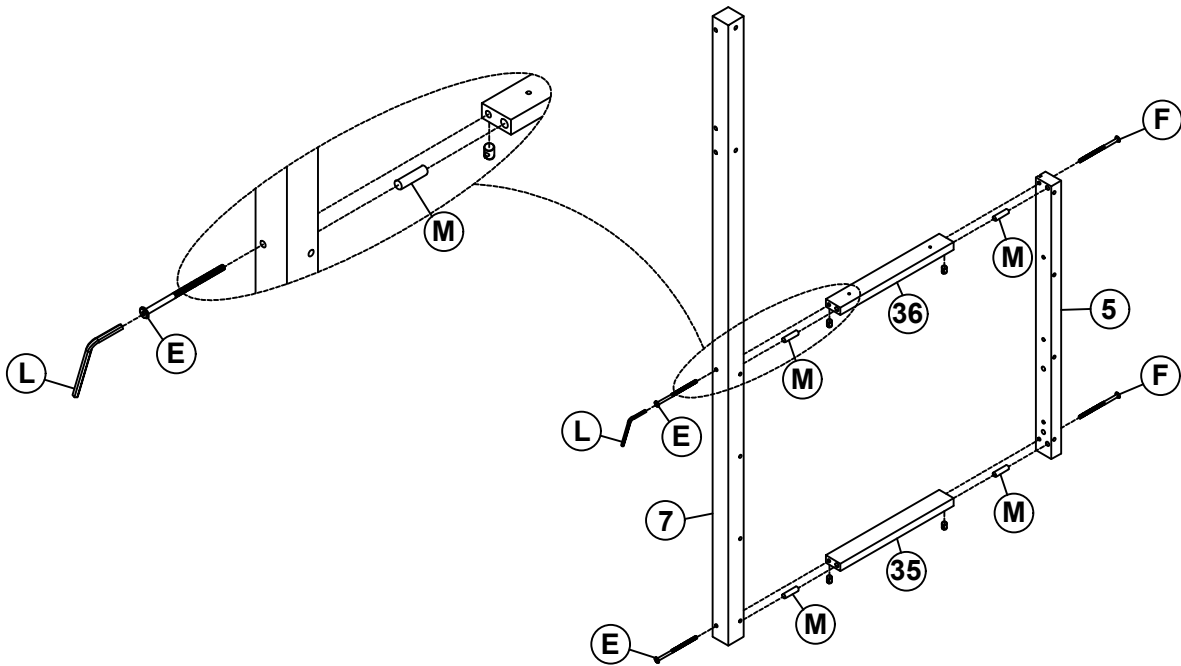
Step 2



F	1/4x75		4PCS	L	4x58		1PC
E	1/4x90		4PCS	M	Ø10x40		4PCS

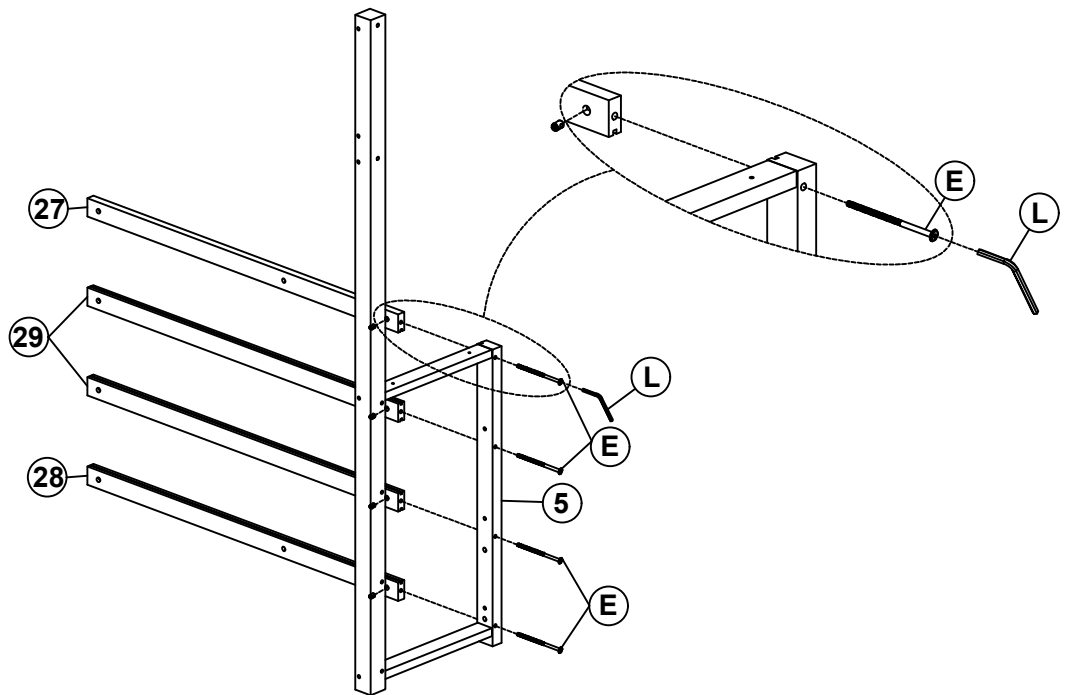
ASSEMBLY INSTRUCTIONS

Step 3



F	1/4x75		2PCS	L	4x58		1PC
E	1/4x90		2PCS	M	Ø10x40		4PCS

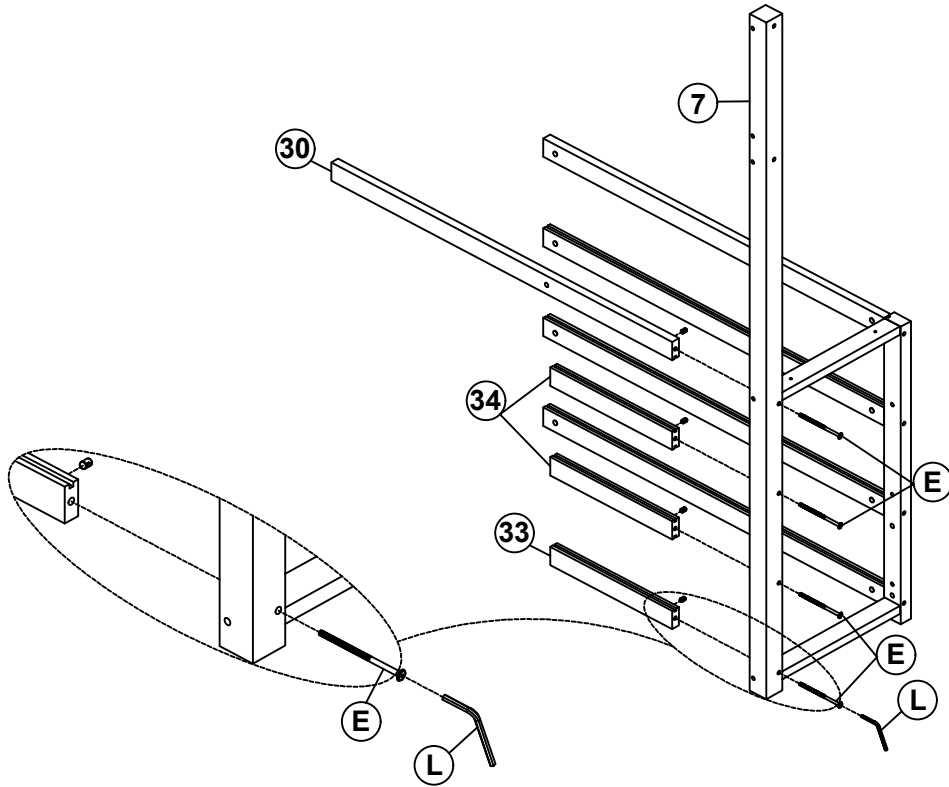
Step 4





E	1/4x90		4PCS	L	4x58		1PC
----------	--------	--	------	----------	------	--	-----

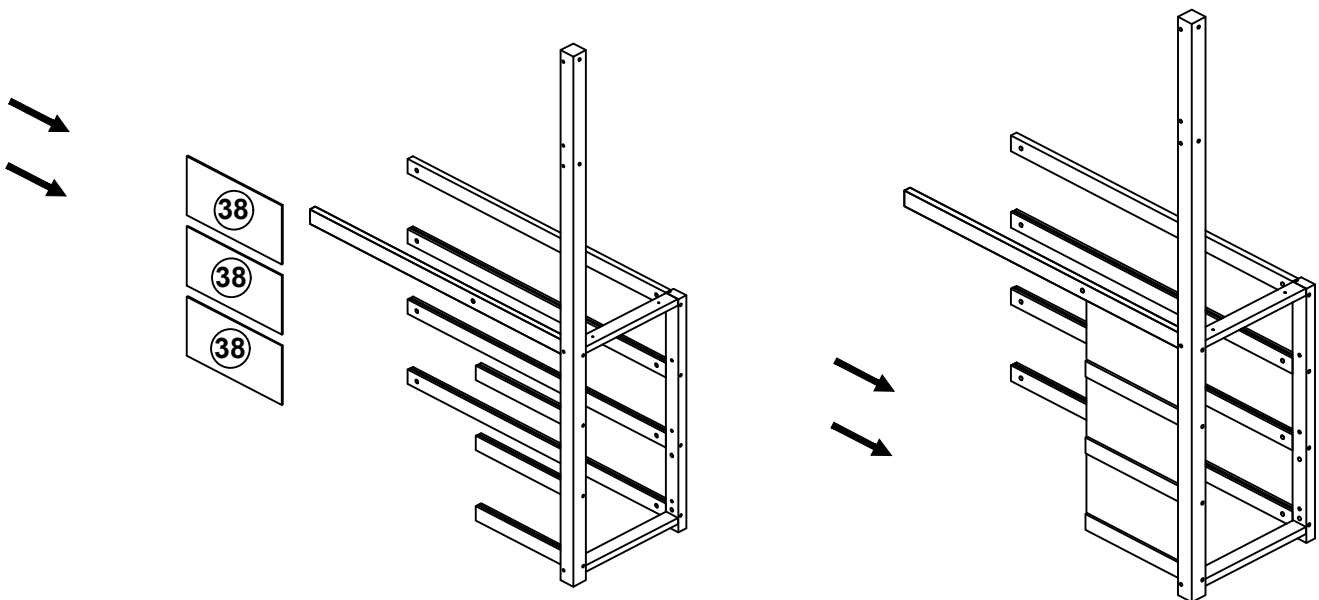
ASSEMBLY INSTRUCTIONS

Step 5



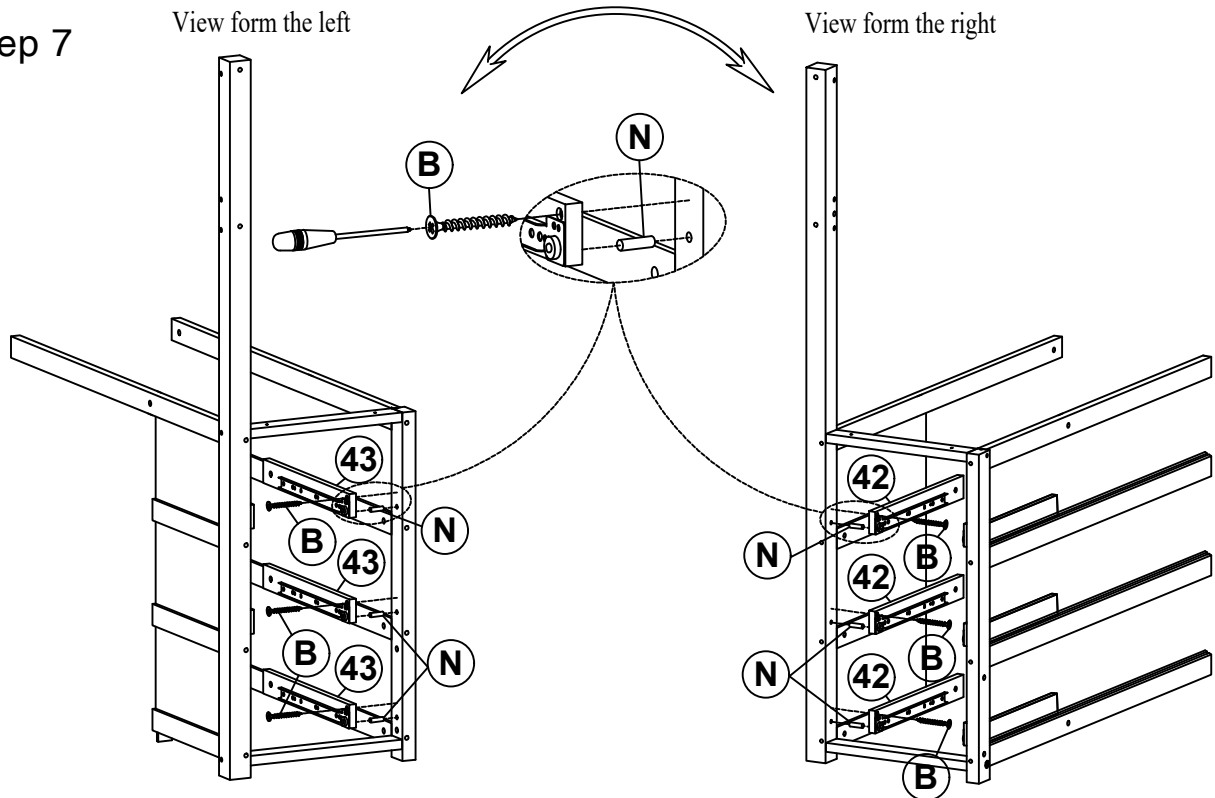
E	1/4x90		4PCS	L	4x58		1PC
----------	--------	---	------	----------	------	---	-----

Step 6



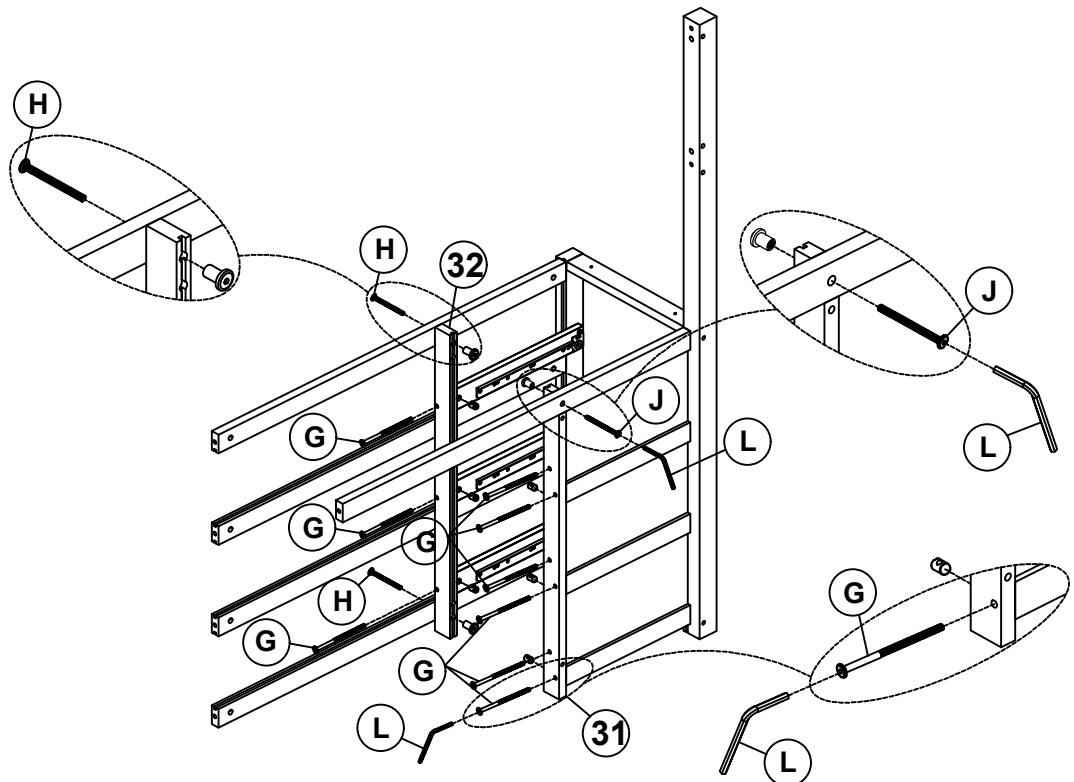
ASSEMBLY INSTRUCTIONS

Step 7



N	Ø8x30		6PCS	B	Ø4x25		6PCS
----------	-------	--	------	----------	-------	--	------

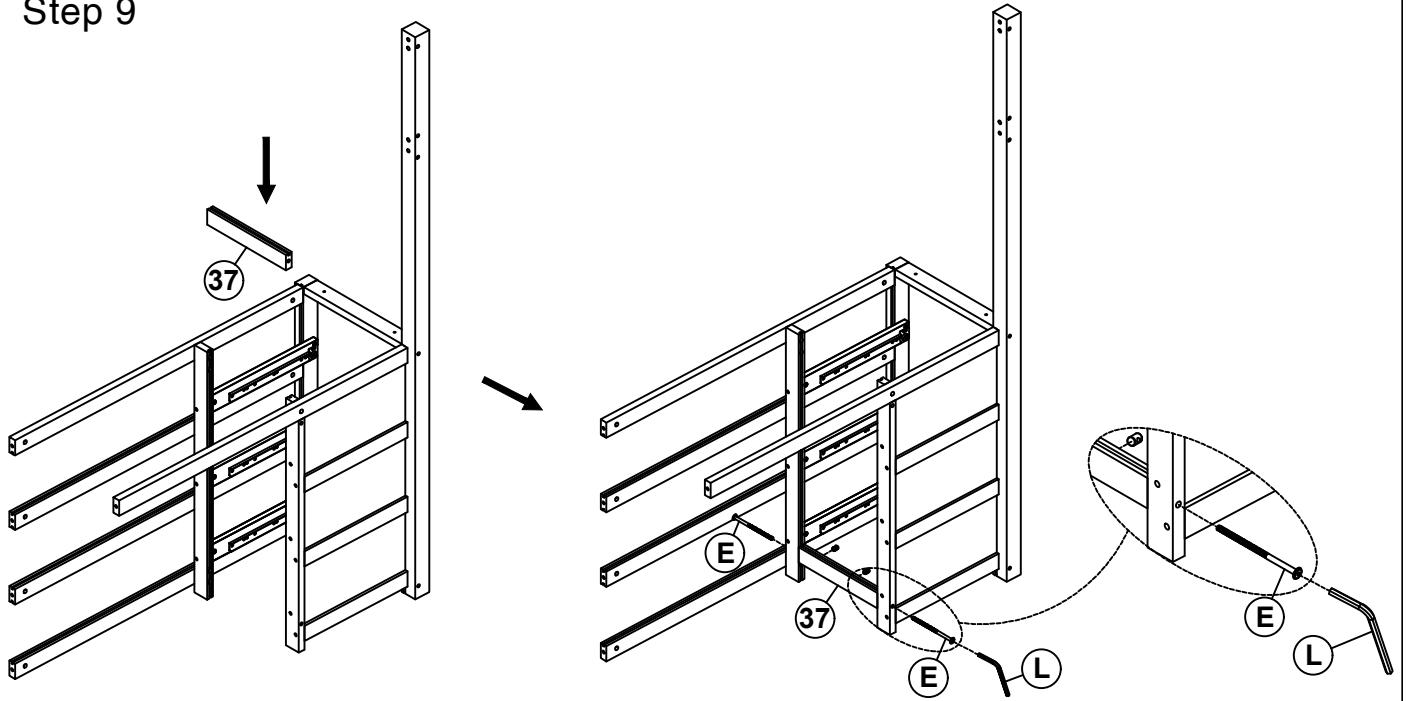
Step 8





J	1/4x40		1PC	L	4x58		1PC
H	1/4x60		2PCS	G	1/4x60		9PCS

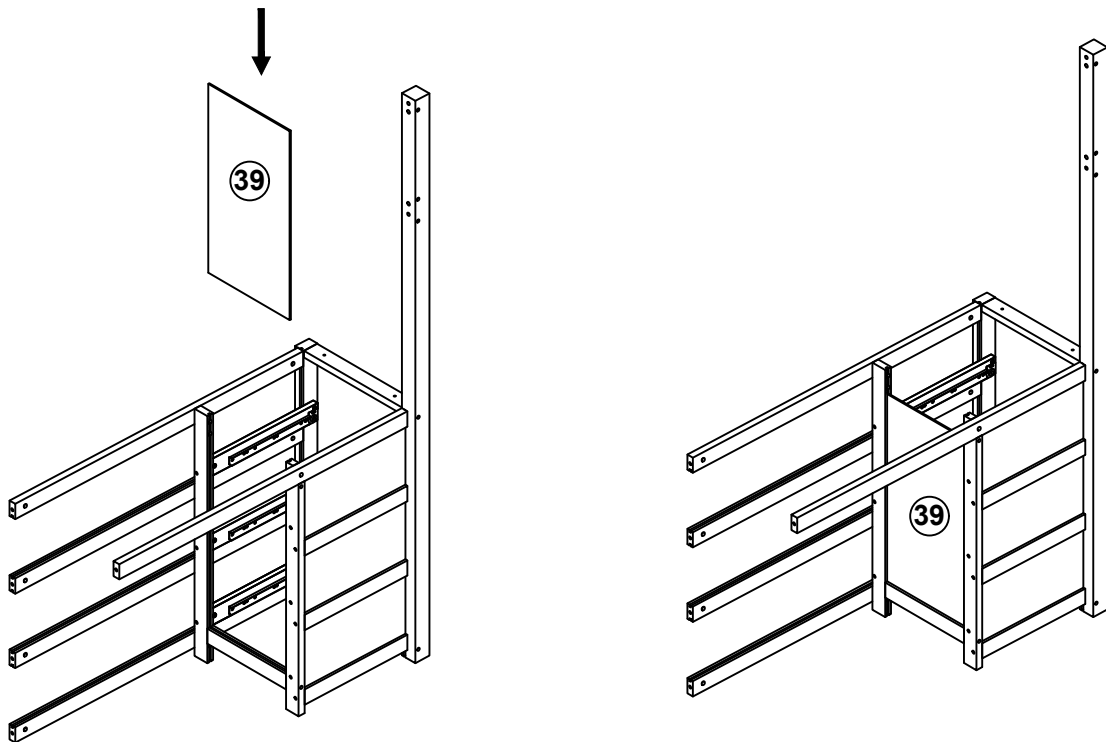
ASSEMBLY INSTRUCTIONS

Step 9



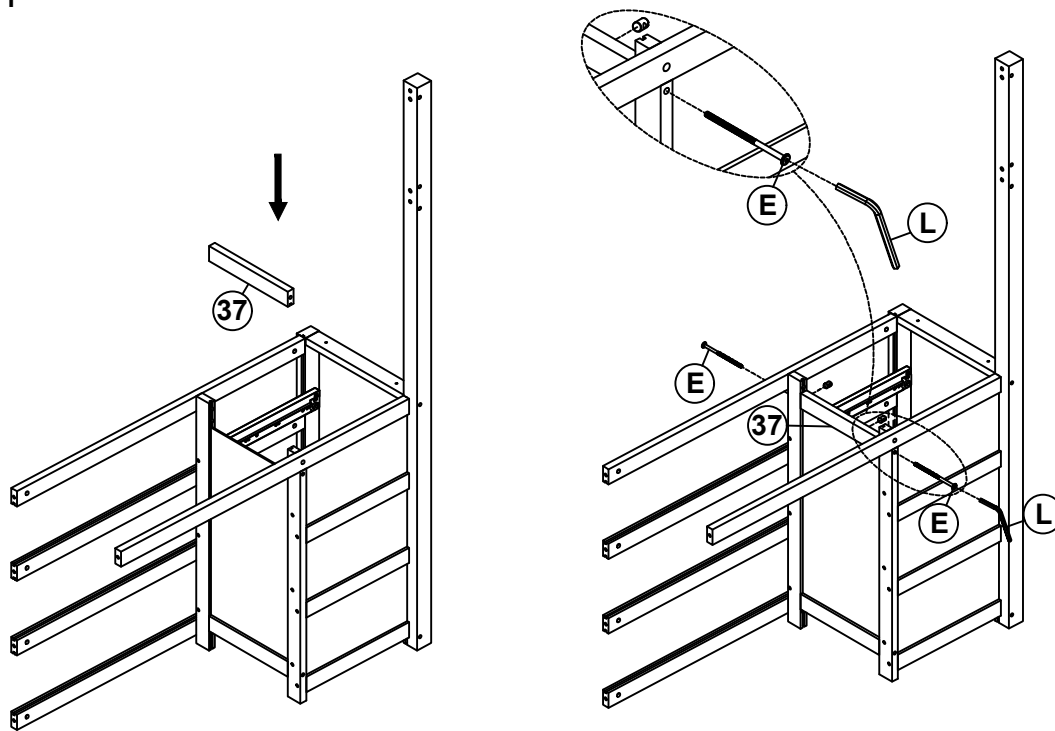
E	1/4x90		2PCS	L	4x58		1PC
----------	--------	---	------	----------	------	---	-----



Step 10



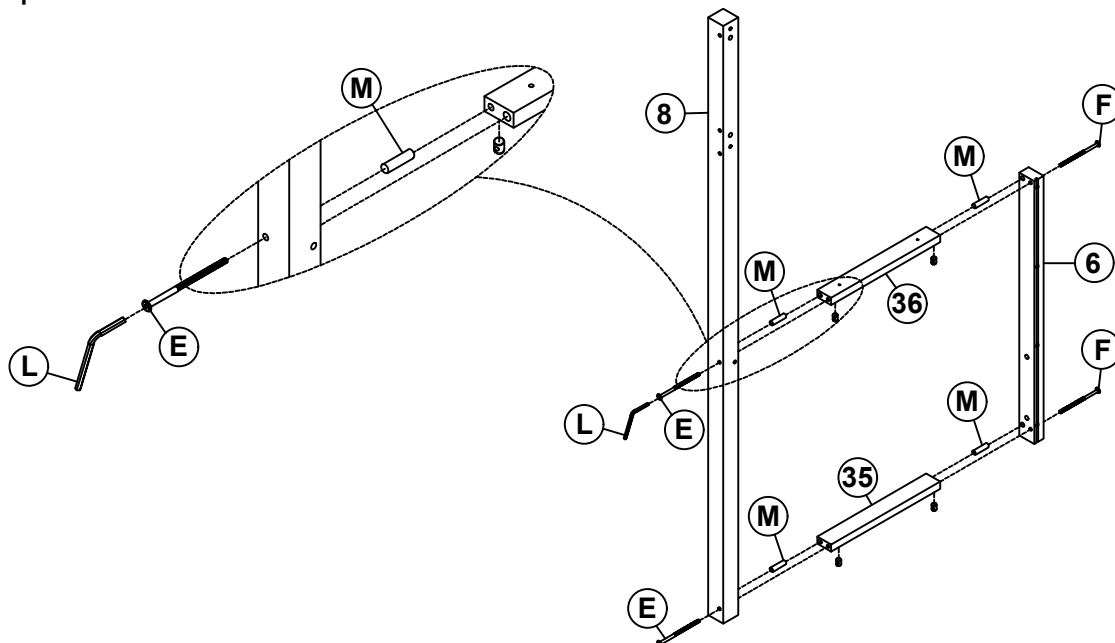
ASSEMBLY INSTRUCTIONS





Step 11



E	1/4x90		2PCS	L	4x58		1PC
----------	--------	---	------	----------	------	---	-----

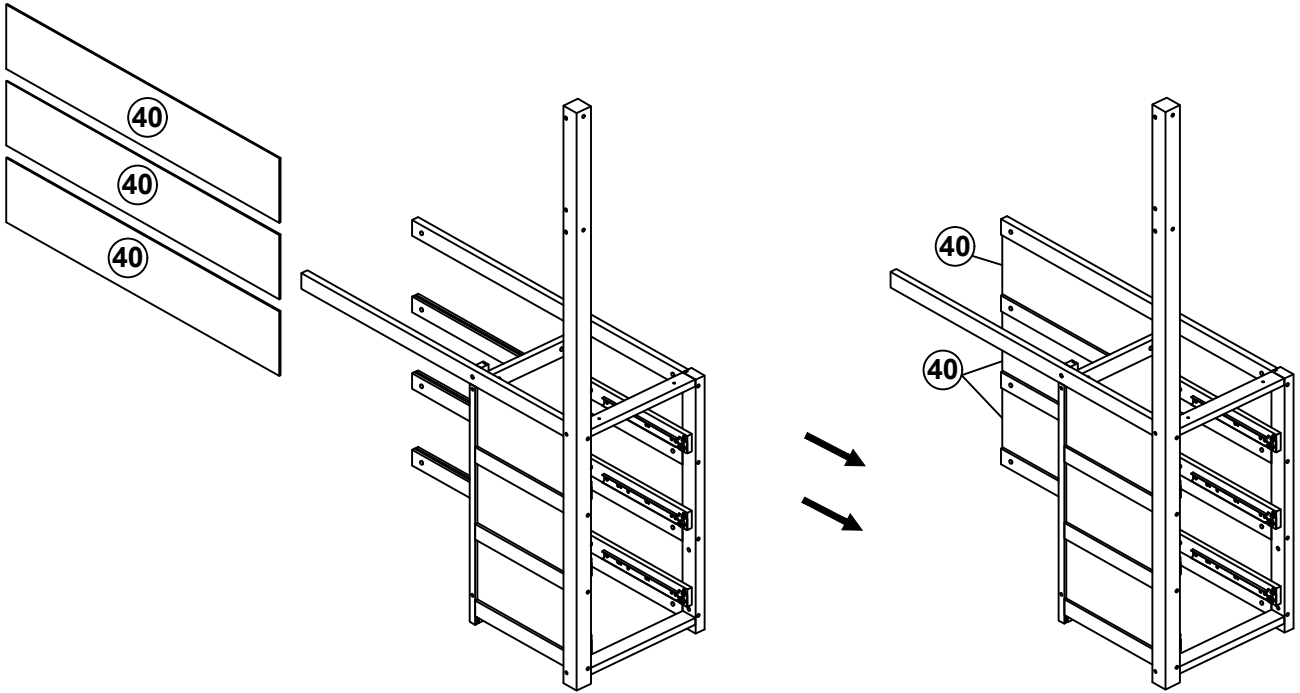
Step 12



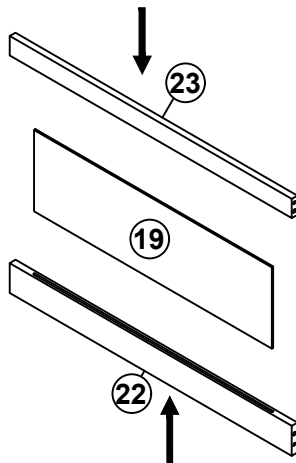
F	1/4x75		2PCS	L	4x58		1PC
E	1/4x90		2PCS	M	Ø10x40		4PCS

ASSEMBLY INSTRUCTIONS

Step 13

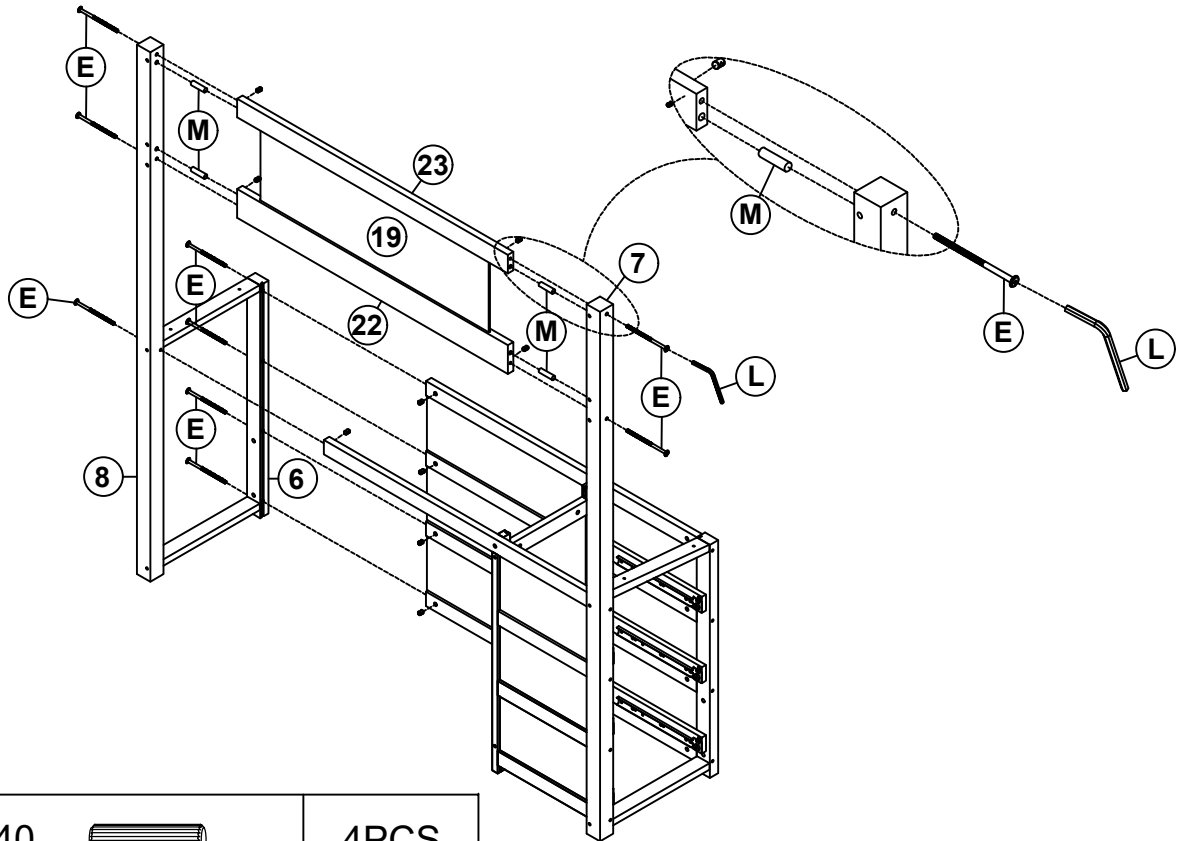





Step 14



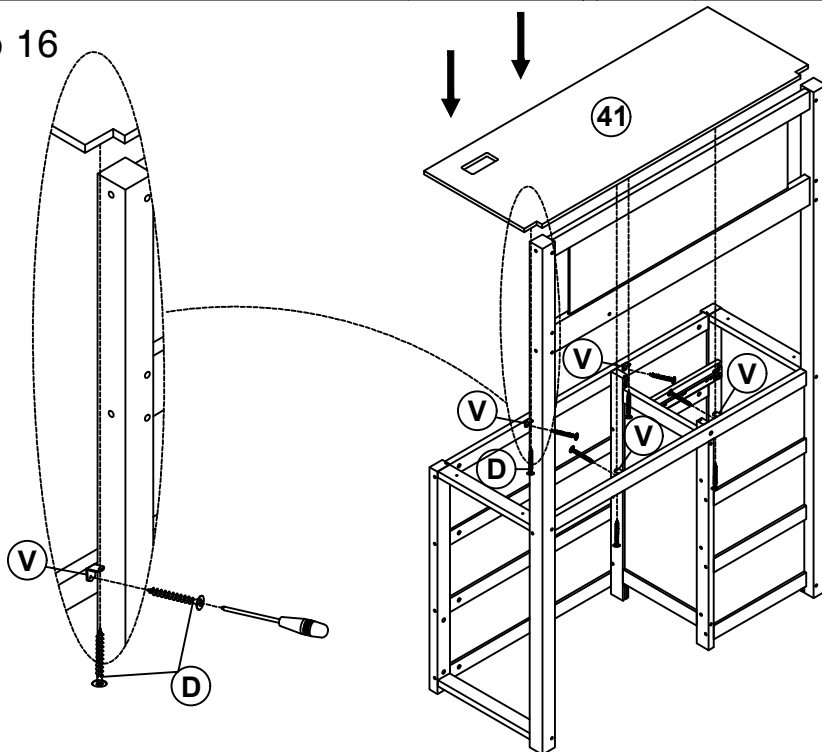
ASSEMBLY INSTRUCTIONS

Step 15



M	Ø10x40		4PCS			
E	1/4x90		9PCS	L	4x58	 1PC

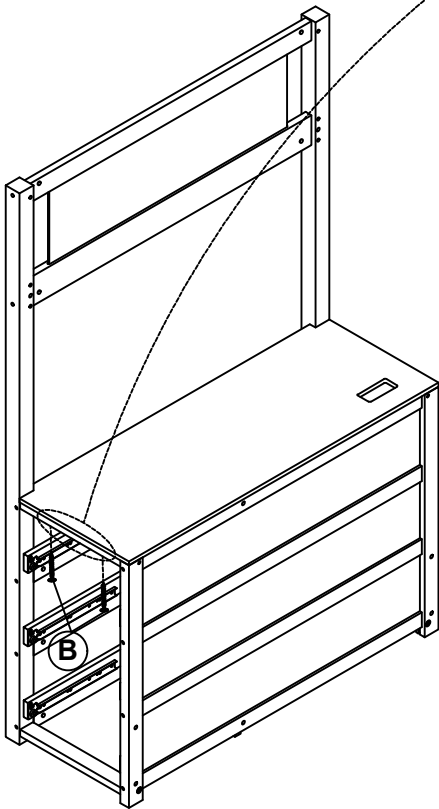
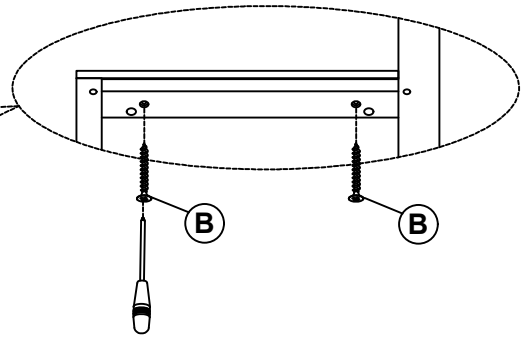
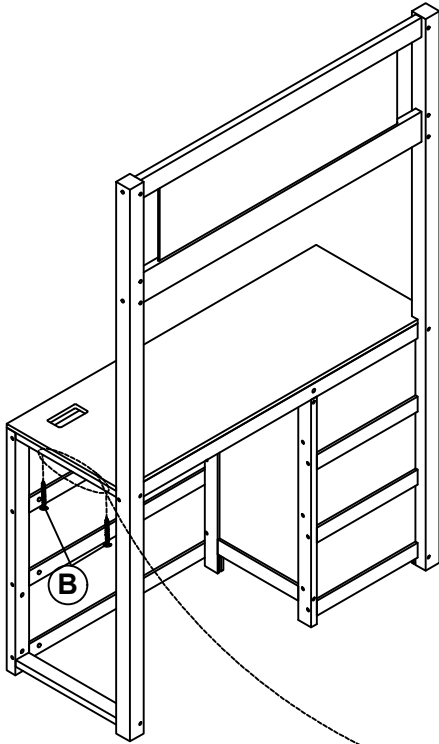
Step 16



V	18x18x2		4PCS	D	Ø3.5x12	 8PCS
----------	---------	---	------	----------	---------	--

ASSEMBLY INSTRUCTIONS

Step 17



B

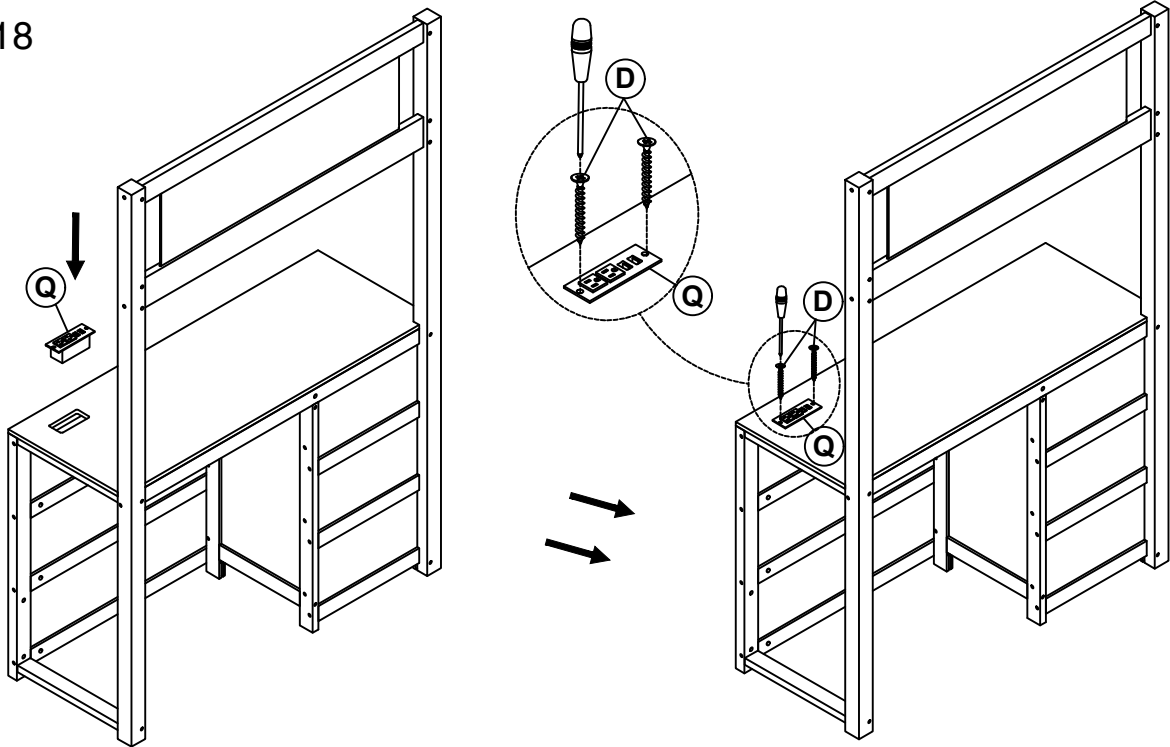
Ø4x25





4PCS

ASSEMBLY INSTRUCTIONS

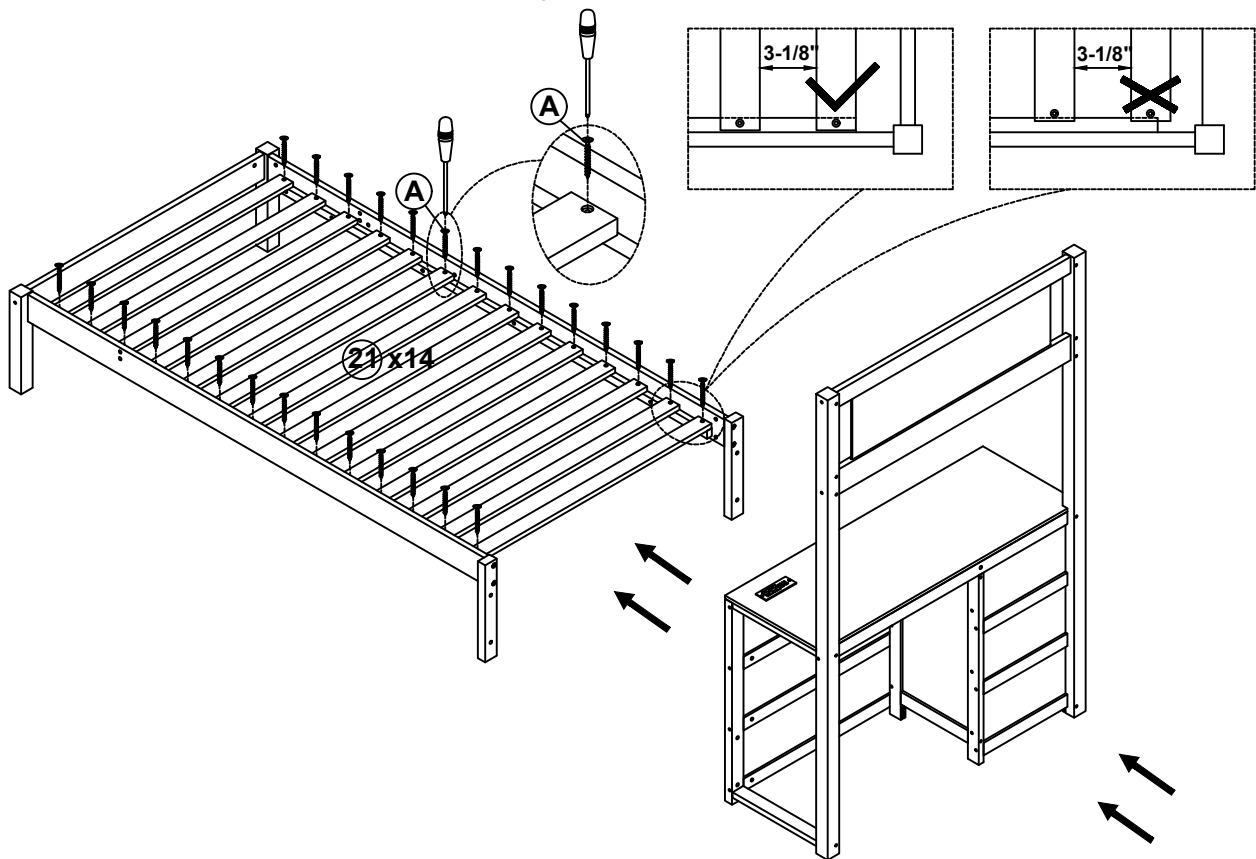
Step 18



Q		1PC	D	Ø3.5x12		2PCS
----------	--	-----	----------	---------	--	------

Step 19

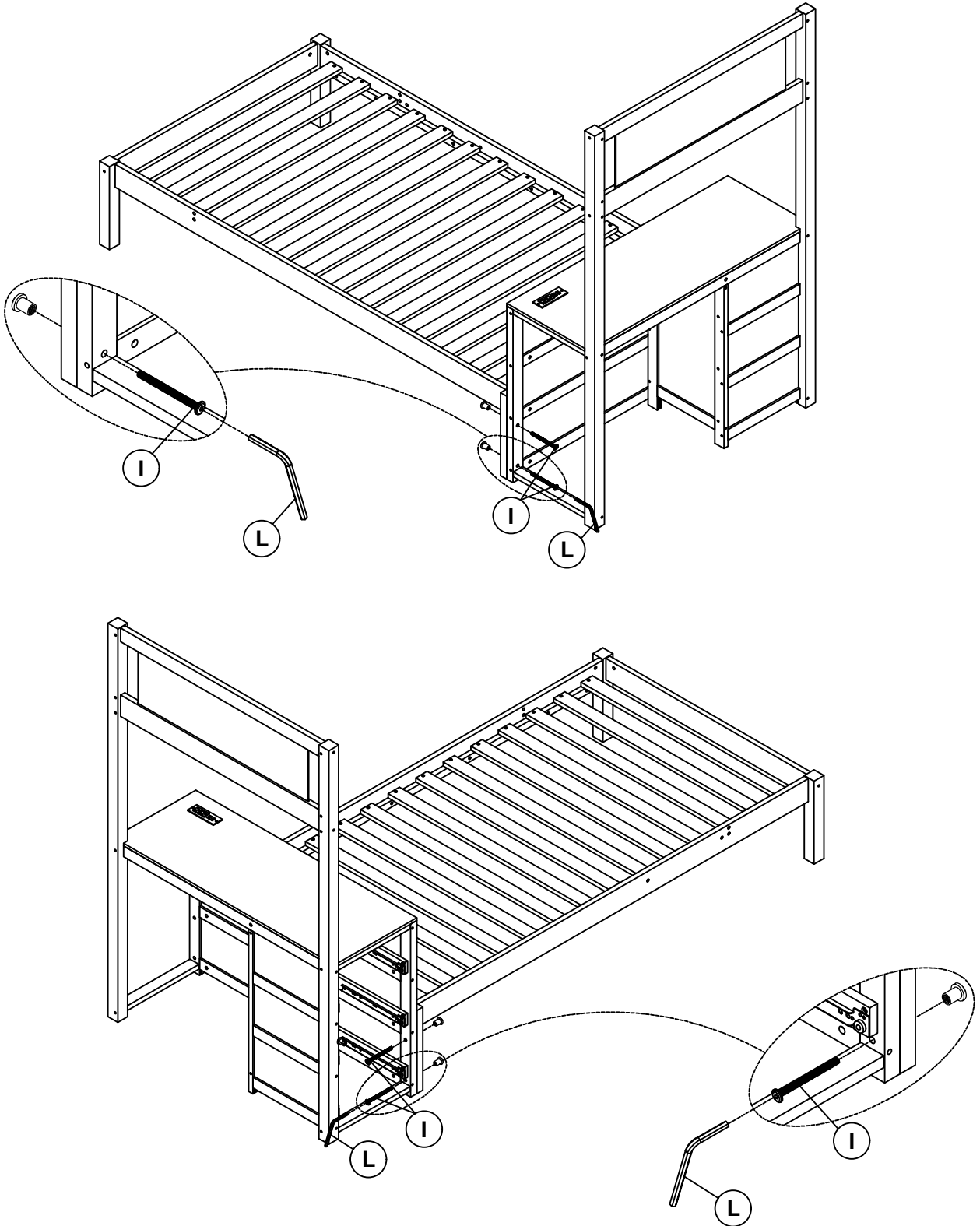
First attach 2pcs part 21 to the front and end of the frame between headboard. Then attach the remaining part 21 equidistantly between headboard




A	Ø4x30		28PCS
----------	-------	---	-------

ASSEMBLY INSTRUCTIONS

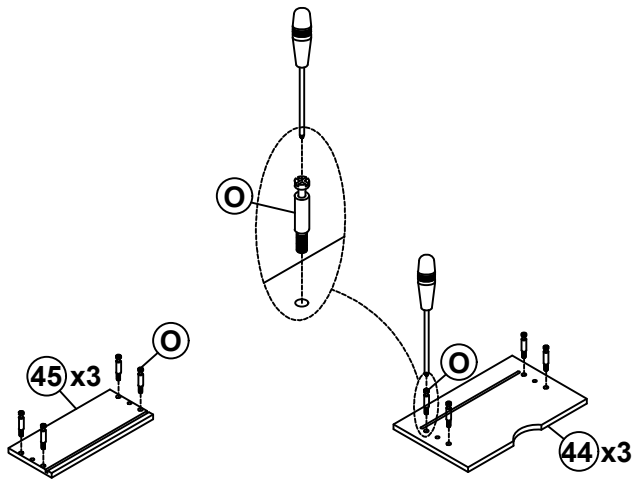
Step 20



I	1/4x55		4PCS	L	4x58		1PC
----------	--------	---	------	----------	------	---	-----

ASSEMBLY INSTRUCTIONS

Step 21



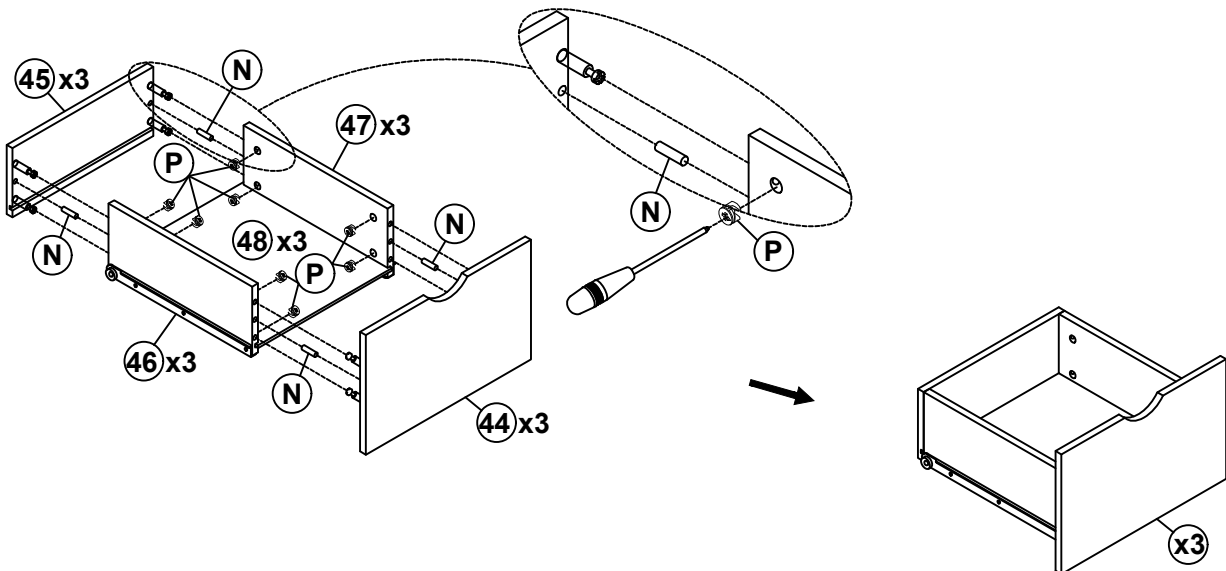
O

Ø 6.5x35



24PCS

Step 22



P

Ø12x10



24PCS

N

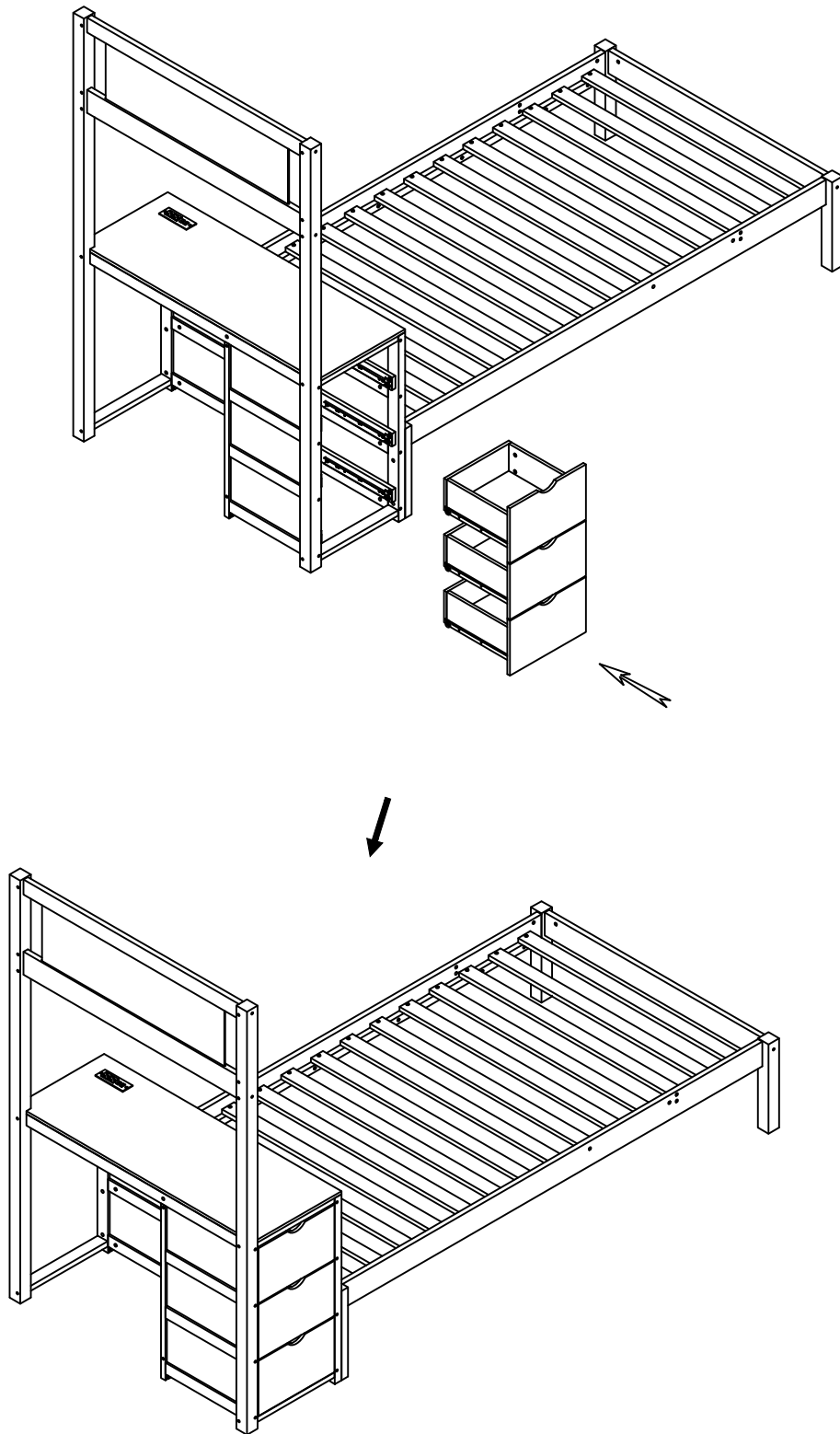
Ø8x30



12PCS

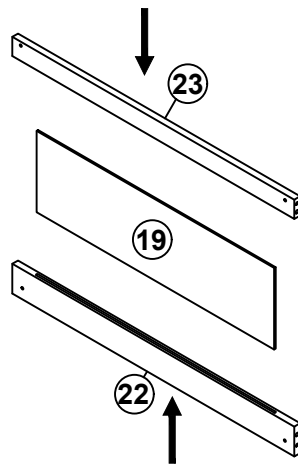
ASSEMBLY INSTRUCTIONS

Step 23

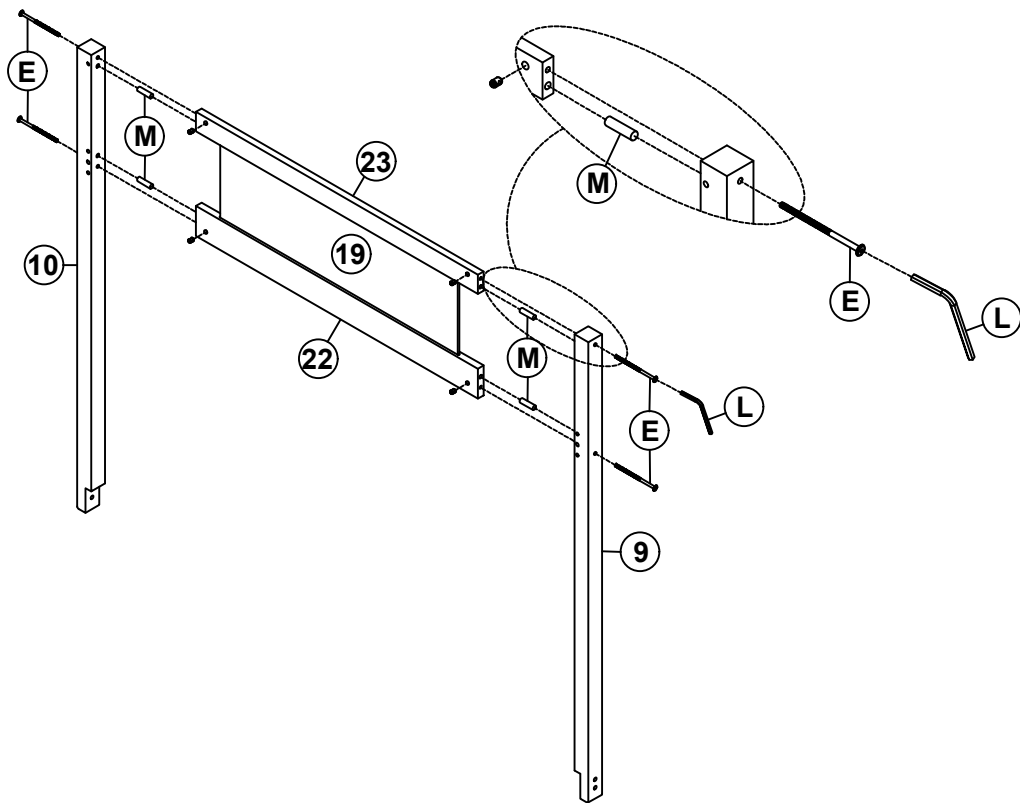


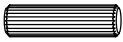


ASSEMBLY INSTRUCTIONS

Step 24



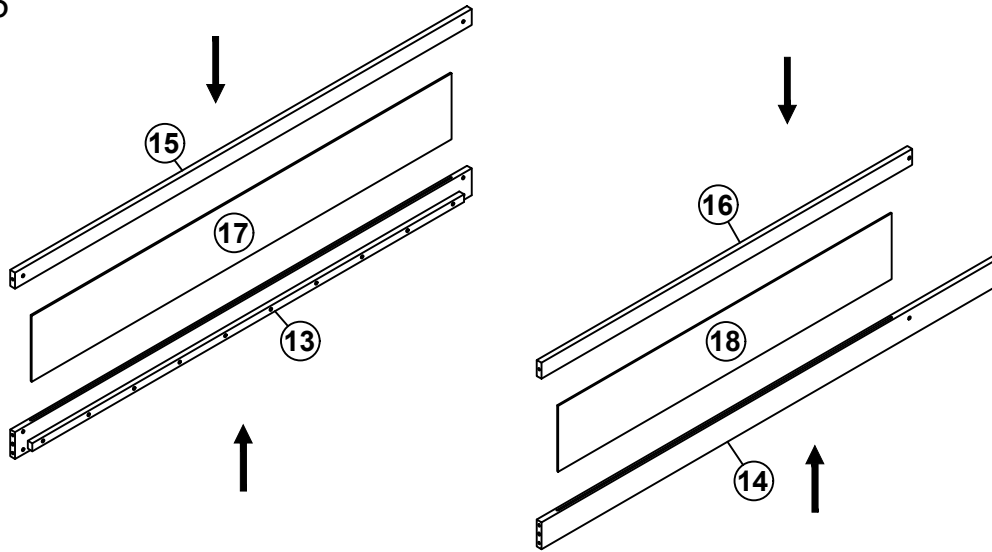
Step 25



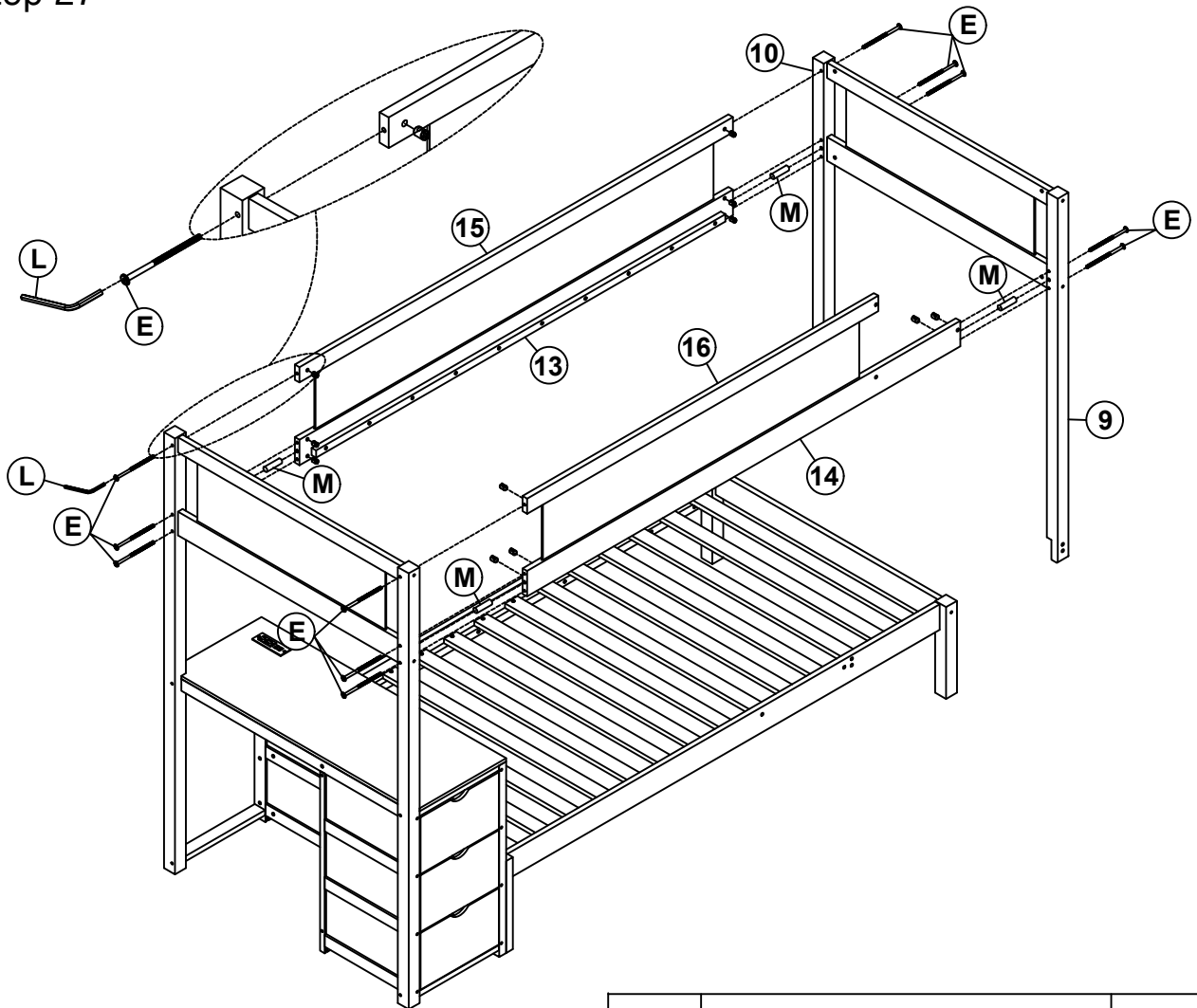
M	Ø10x40		4PCS				
E	1/4x90		4PCS	L	4x58		1PC




ASSEMBLY INSTRUCTIONS

Step 26



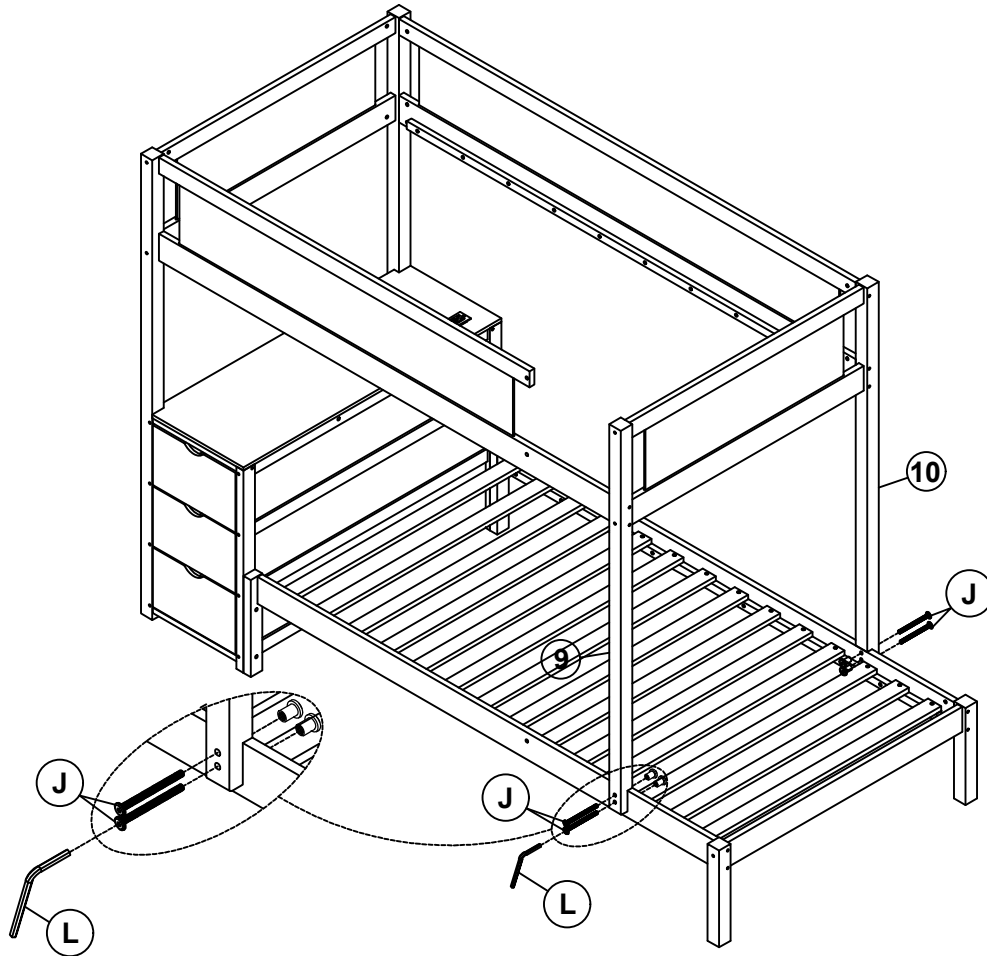
Step 27





M	Ø10x40		4PCS
E	1/4x90		11PCS
L	4x58		1PC

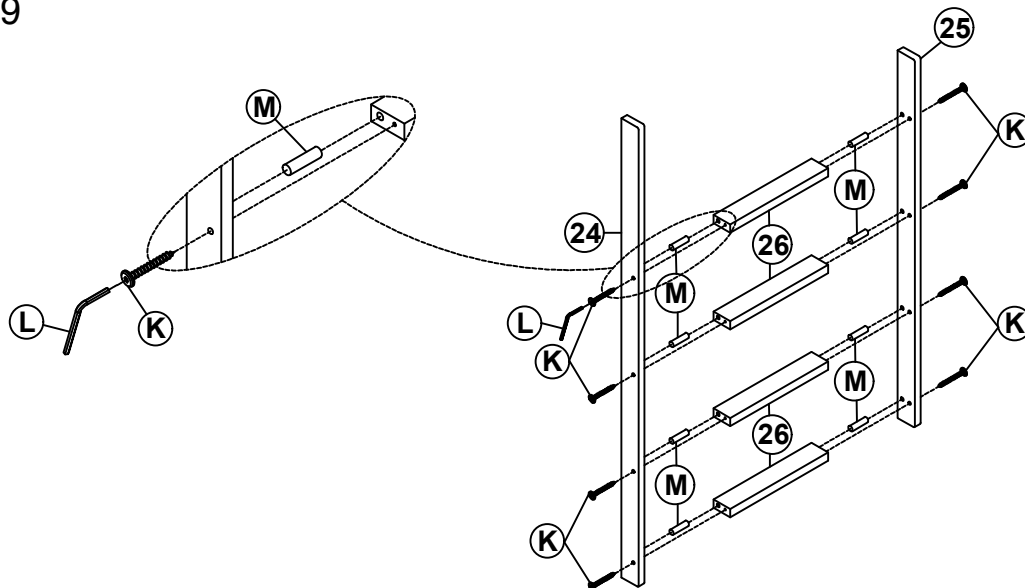
ASSEMBLY INSTRUCTIONS




Step 28



J	1/4x40		4PCS	L	4x58		1PC
----------	--------	---	------	----------	------	---	-----

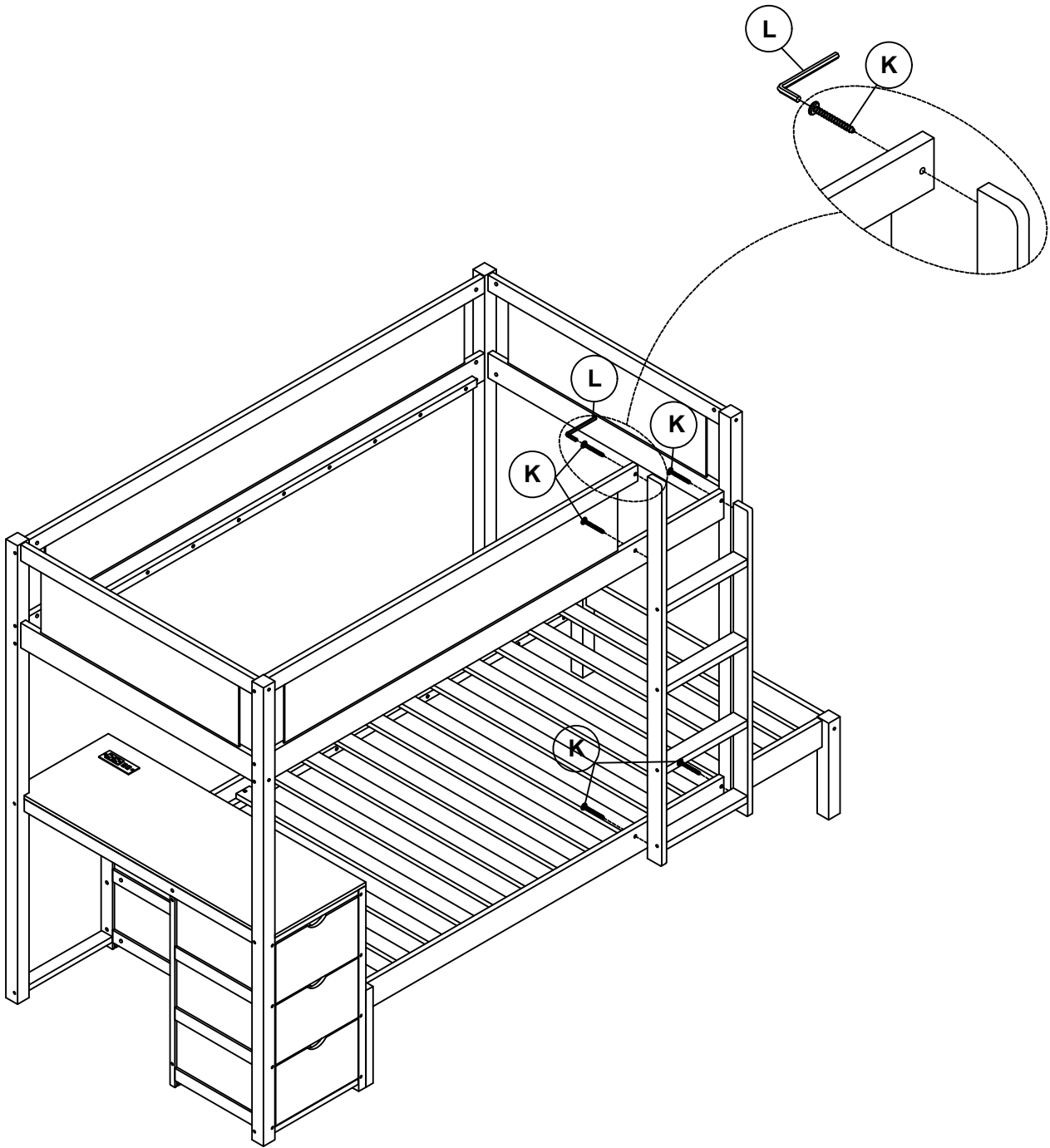
Step 29





M	Ø10x40		8PCS	L	4x58		1PC
K	6.5x60		8PCS				

ASSEMBLY INSTRUCTIONS

Step 30

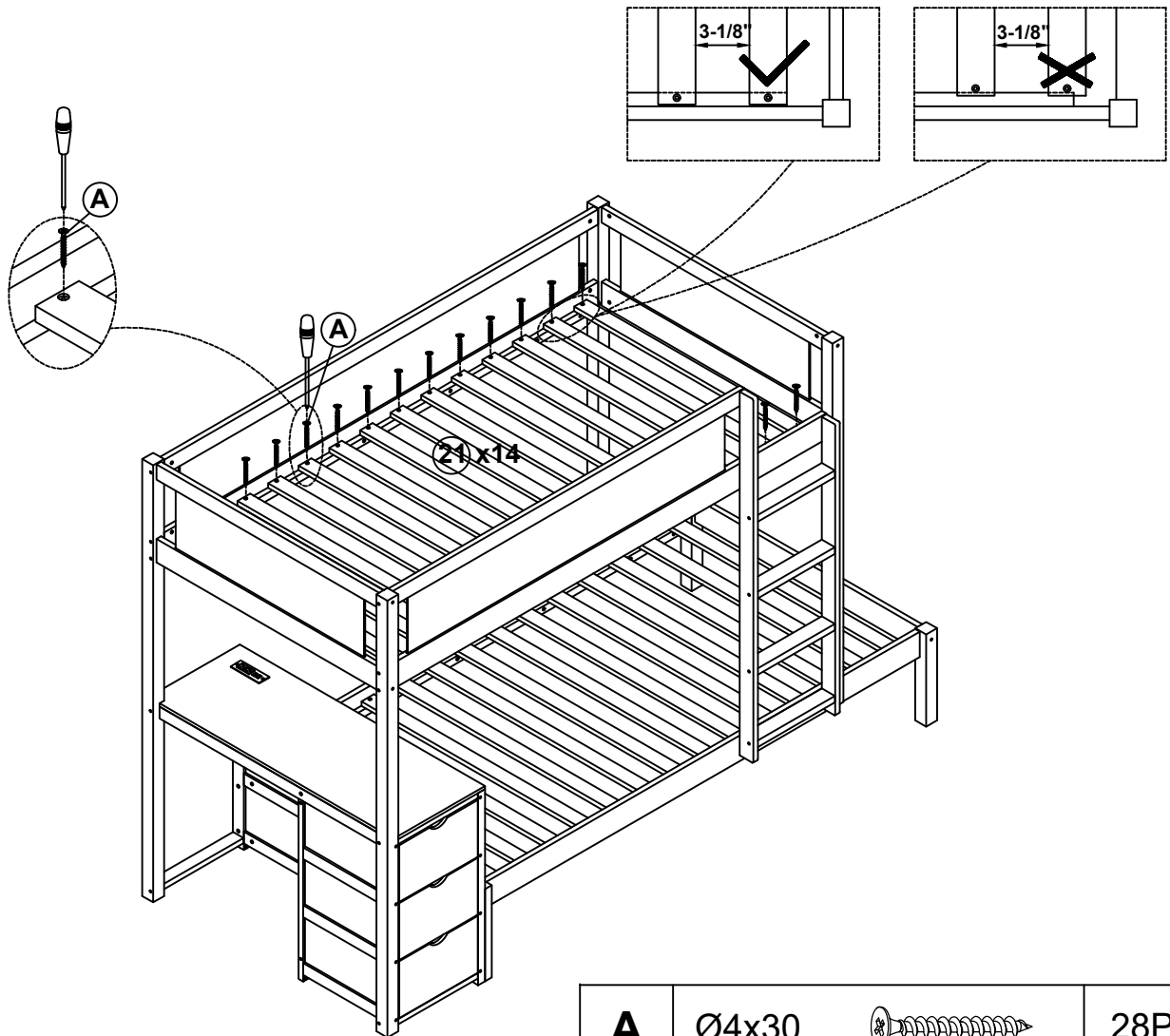


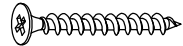
K	6.5x60		5PCS	L	4x58		1PC
----------	--------	---	------	----------	------	---	-----

ASSEMBLY INSTRUCTIONS

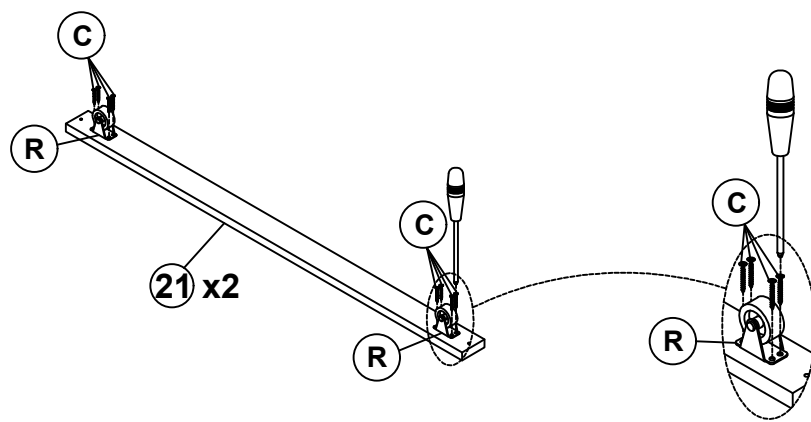
Step 31



First attach 2pcs part 21 to the front and end of the frame between headboard. Then attach the remaining part 21 equidistantly between headboard



A	Ø4x30		28PCS
----------	-------	---	-------

Step 32

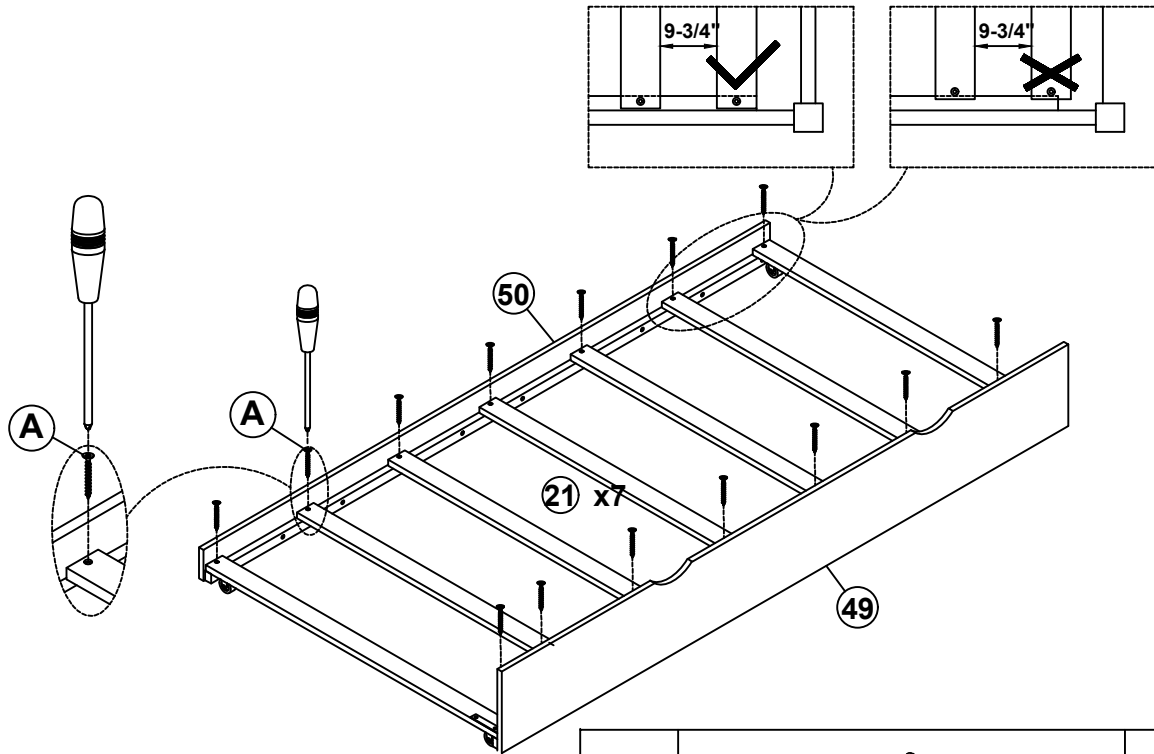



C	Ø4x15		16PCS	R	Ø38x46x38		4PCS
----------	-------	---	-------	----------	-----------	---	------

ASSEMBLY INSTRUCTIONS

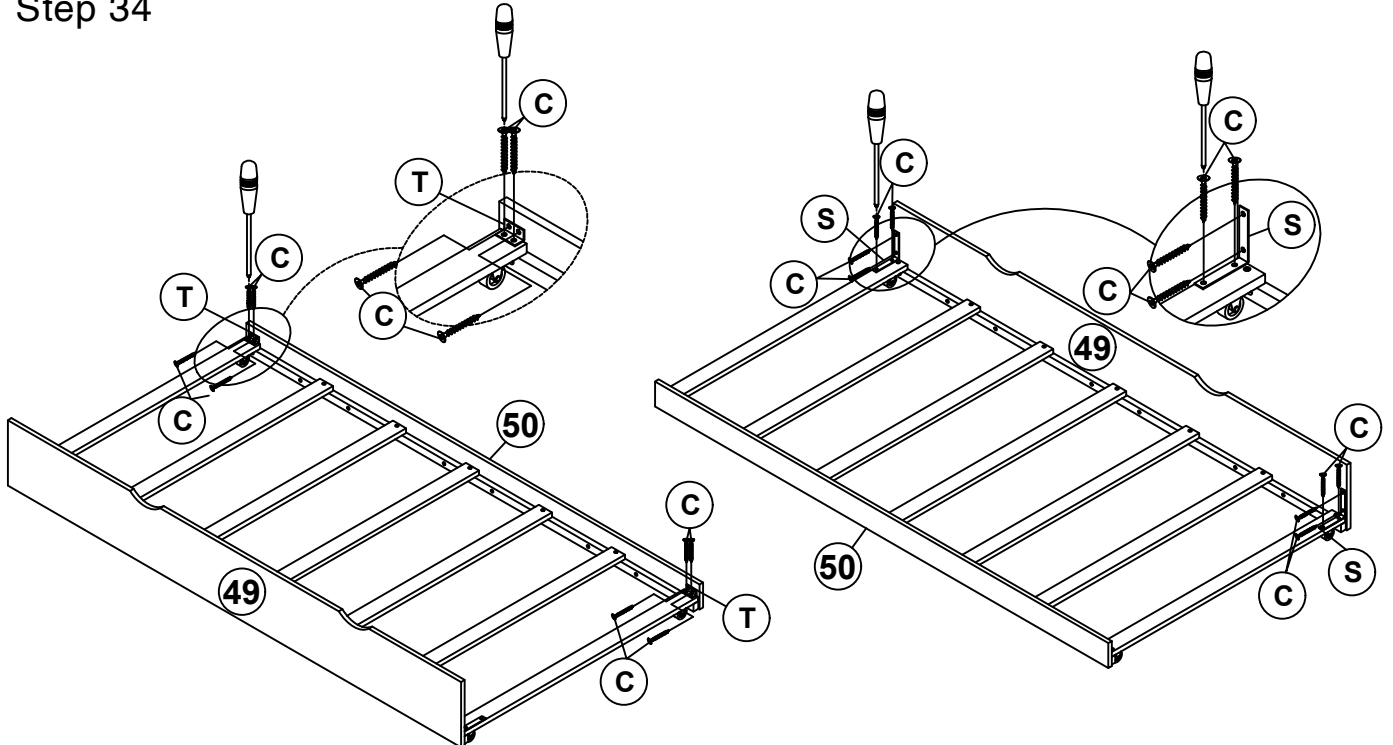
Step 33

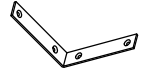

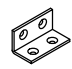
First attach 2pcs part 21 to the front and end of the frame, between side rails. Then attach the remaining part 21 equidistantly between side rails.



A	Ø4x30		14PCS
----------	-------	---	-------

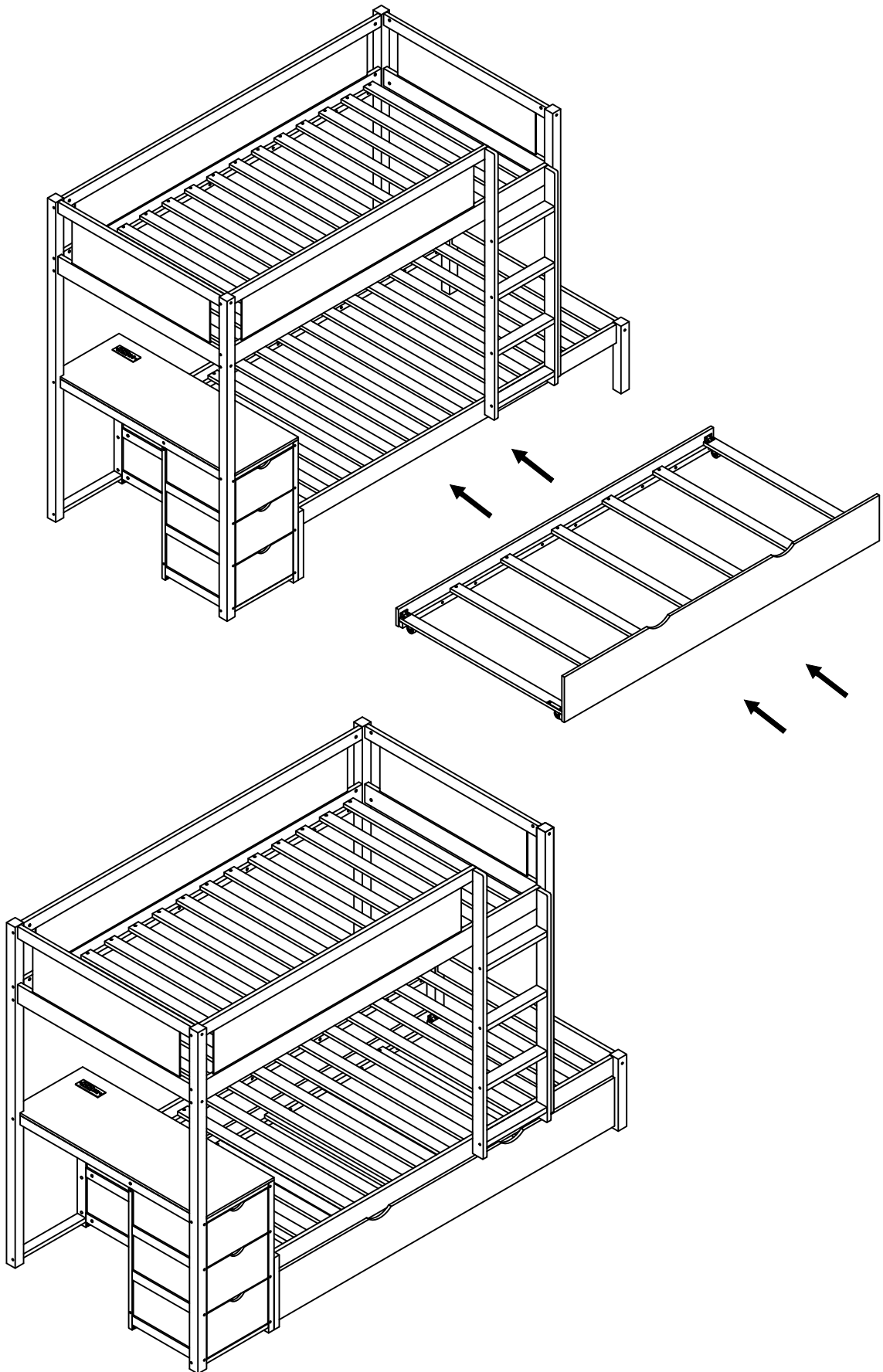
Step 34



S	95x95x20		2PCS
C	Ø4x15		16PCS
T	40x20x20		2PCS

ASSEMBLY INSTRUCTIONS

Step 35



Finished