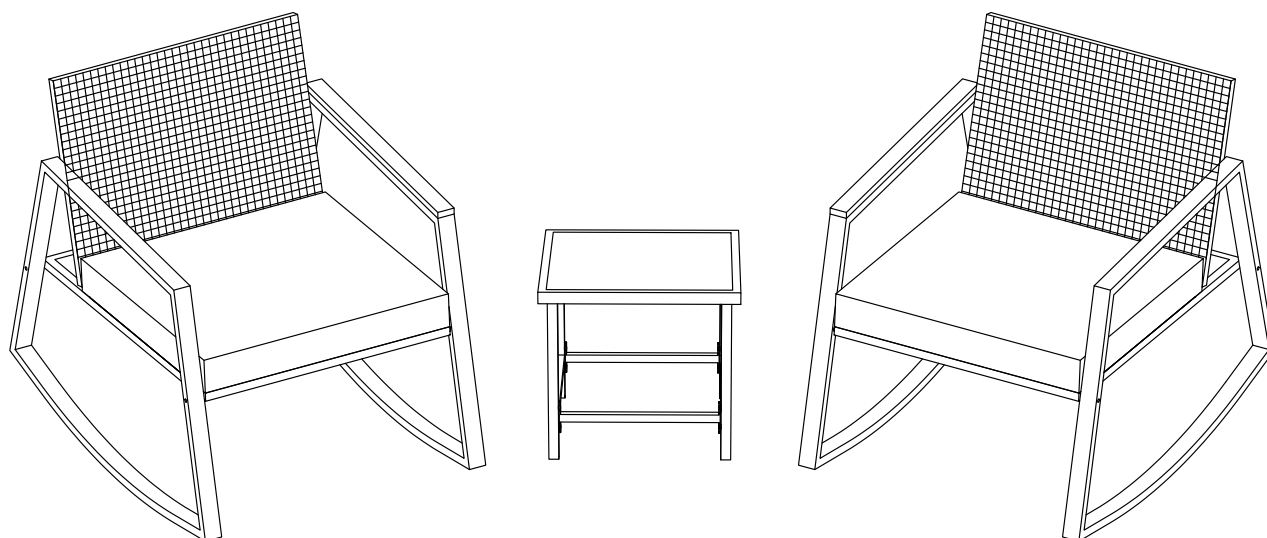
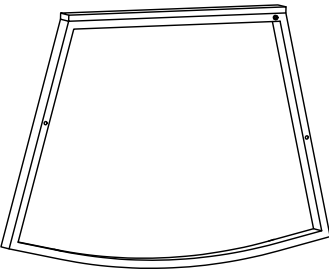
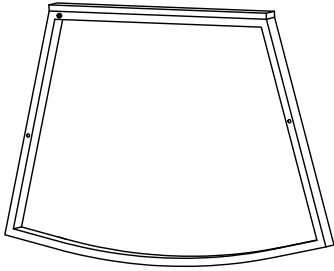
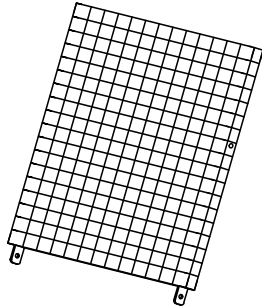
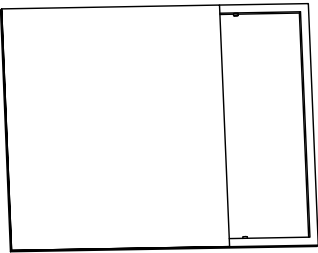
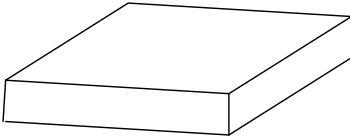
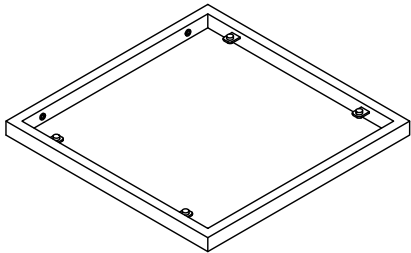
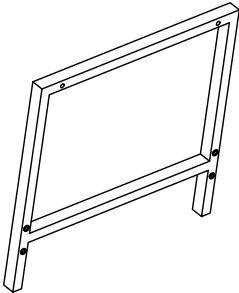
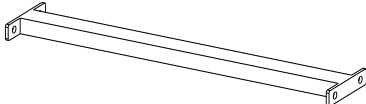
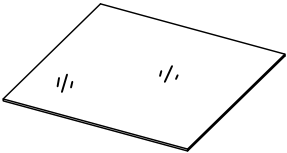
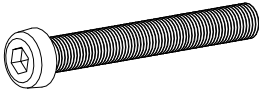
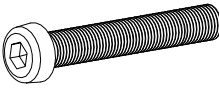
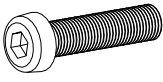
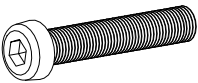
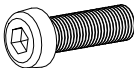

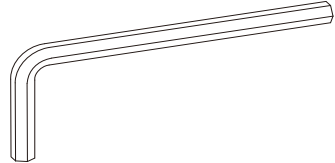


# MODEL: OUTDOOR RATTAN SOFA SET









Box1	Specs
Inner contents	2 x Right handrail, Code A 2 x Left handrail, Code B 2 x Seat back panel, Code C 2 x Seat plate, Code D 2 x Seat cushion, Code E 1 x Tea table top frame, Code H 2 x Tea table frame, Code I 2 x Frame bar, Code J 1 x Tempered glass top, Code K 1 x Screw kits with hardware, Code AA, BB, CC, DD, EE,FF,HH
Labels Instruction sheets	Sewing labels on curshions 1*Assemble sheets

THIS INSTRUCTION BOOKLET CONTAINS IMPORTANT SAFETY INFORMATION.  
PLEASE READ AND KEEP FOR FUTURE REFERENCE

<p><b>A</b> Right handrail x2</p> 	<p><b>B</b> Left handrail x2</p> 	<p><b>C</b> Seat back panel x2</p> 	
<p><b>D</b> Seat plate x2</p> 	<p><b>E</b> Seat cushion x2</p> 	<p><b>H</b> Tea table top frame x1</p> 	
<p><b>I</b> Tea table frame x2</p> 	<p><b>J</b> Frame bar x2</p> 		
<p><b>K</b> Tempered glass top x1</p> 	<p><b>AA</b> x8</p>  <p>M6X45</p>	<p><b>BB</b> x4</p>  <p>M6X35</p>	<p><b>CC</b> x4</p>  <p>M6X20</p>
<p><b>DD</b> x4</p>  <p>M6X30</p>	<p><b>EE</b> x8</p>  <p>M6X15</p>	<p><b>FF</b> x28</p> 	<p><b>HH</b> x1</p> 

## Before You Start:

---

-  Read each step carefully before starting. It is very important to ensure each step followed in correct order, otherwise assembly difficulties may occur.
-  All parts are stamped or labeled. Have a check to make sure all parts are included.
-  Work in a spacious area, preferably on a carpet close to where the unit will be used.
-  Keep the handtools close at hand. Do not use power tools to assemble your furniture. They may scratch or damage the parts.
-  6\*6 Ft empty floor needed. Two Adults needed for assembling.
-  Check the assortments according the manual before assembling, we will help to resend if there is any needed.

## After Care and Maintenance:

---

Use a soft, clean cloth that will not scratch the surface when dusting. Use of furniture polish is not necessary.

Should you choose to use polish, test first in an inconspicuous area. Using solvents of any kind on your furniture may damage the finish. Liquid spills should be removed immediately. Using a soft clean cloth, blot the spill gently. Avoid rubbing.

Check bolts/screws periodically and tighten them if necessary.

## Further advice about this furniture care:

---

Please protect your outdoor furniture with a cover when not in use since Long-term sunlight exposure will result in the damage on the surface.

In addition to sunlight damage, rattan and metal frame suffers when exposed to extremes in temperature and humidity.

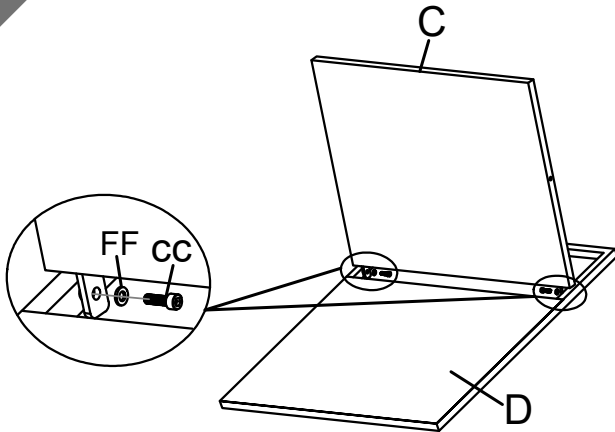
Proper care and cleaning at home will extend the life of your purchase. Following these important and helpful tips will enhance your furniture as it ages.

-  **Do Not return this item.**  
Please contact our friendly customer service department if need help.



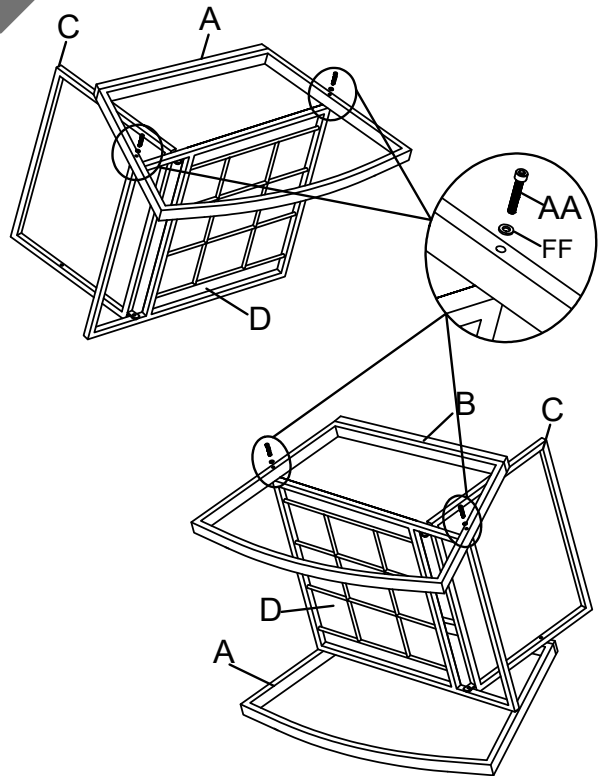
Please screw the parts together at 50% loose, it will help you assemble the sets easily.

1



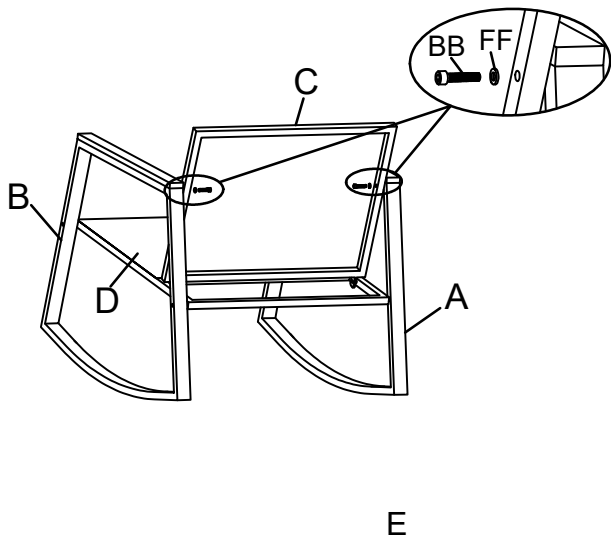
CC		2 PCS
FF		2 PCS

2



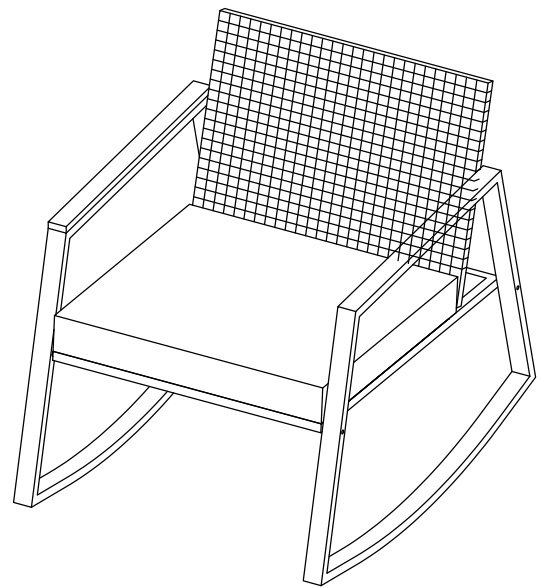
AA		4 PCS
FF		4 PCS

3



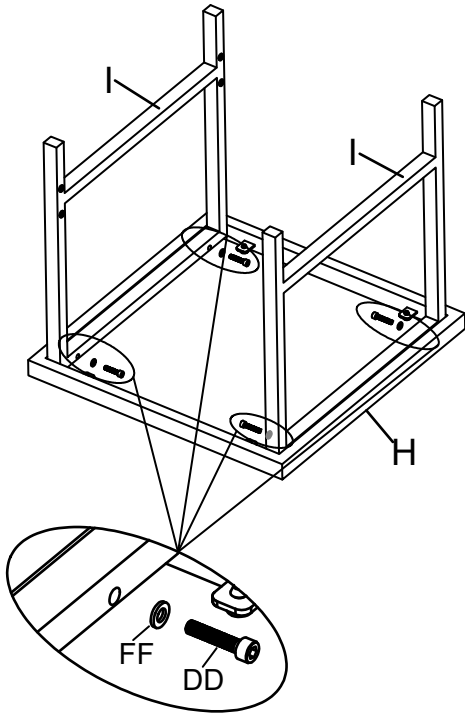
BB		2 PCS
FF		2 PCS

4



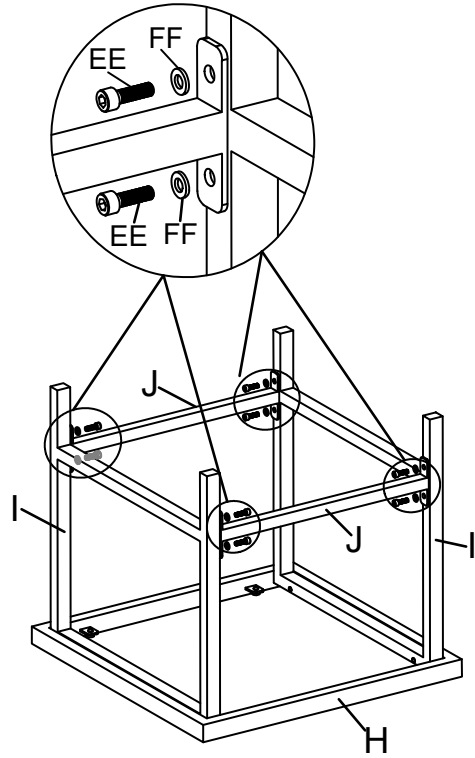
X2

5



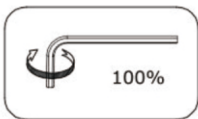
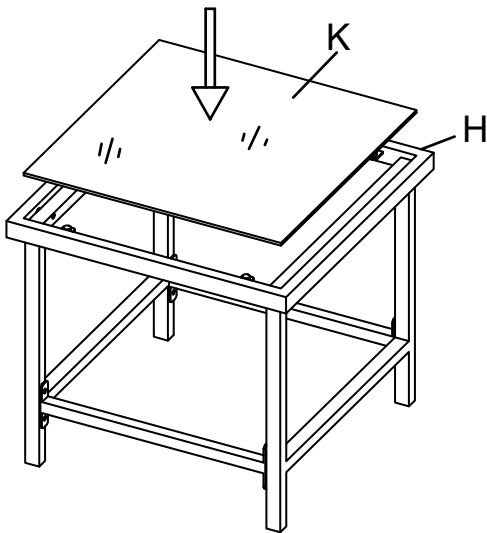
- DD 4 PCS
- FF 4 PCS

6



- EE 8 PCS
- FF 8 PCS

7



Put on the glass and finish the assemble, tight the all screws up 100% at end to make product stable.

8

