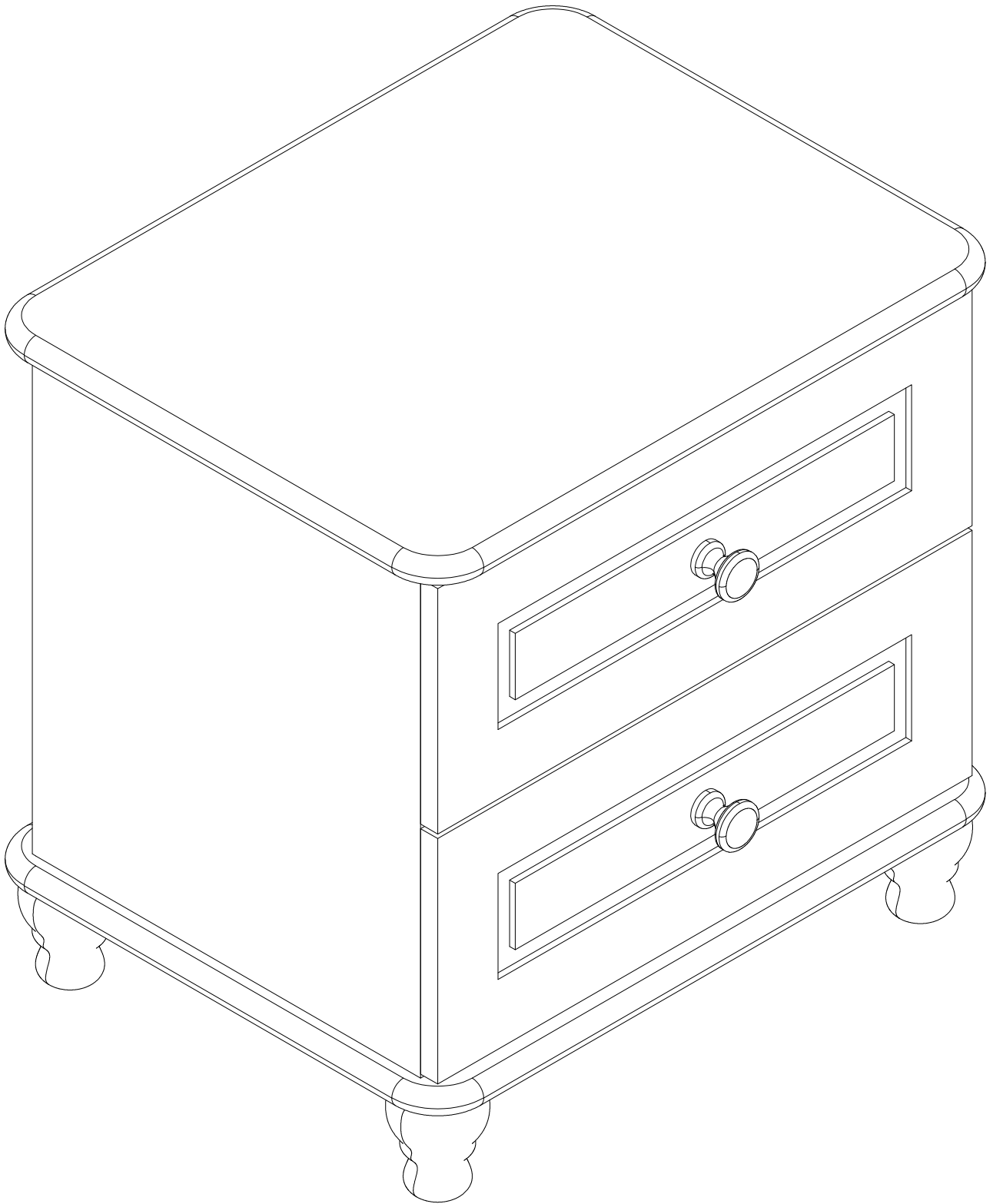
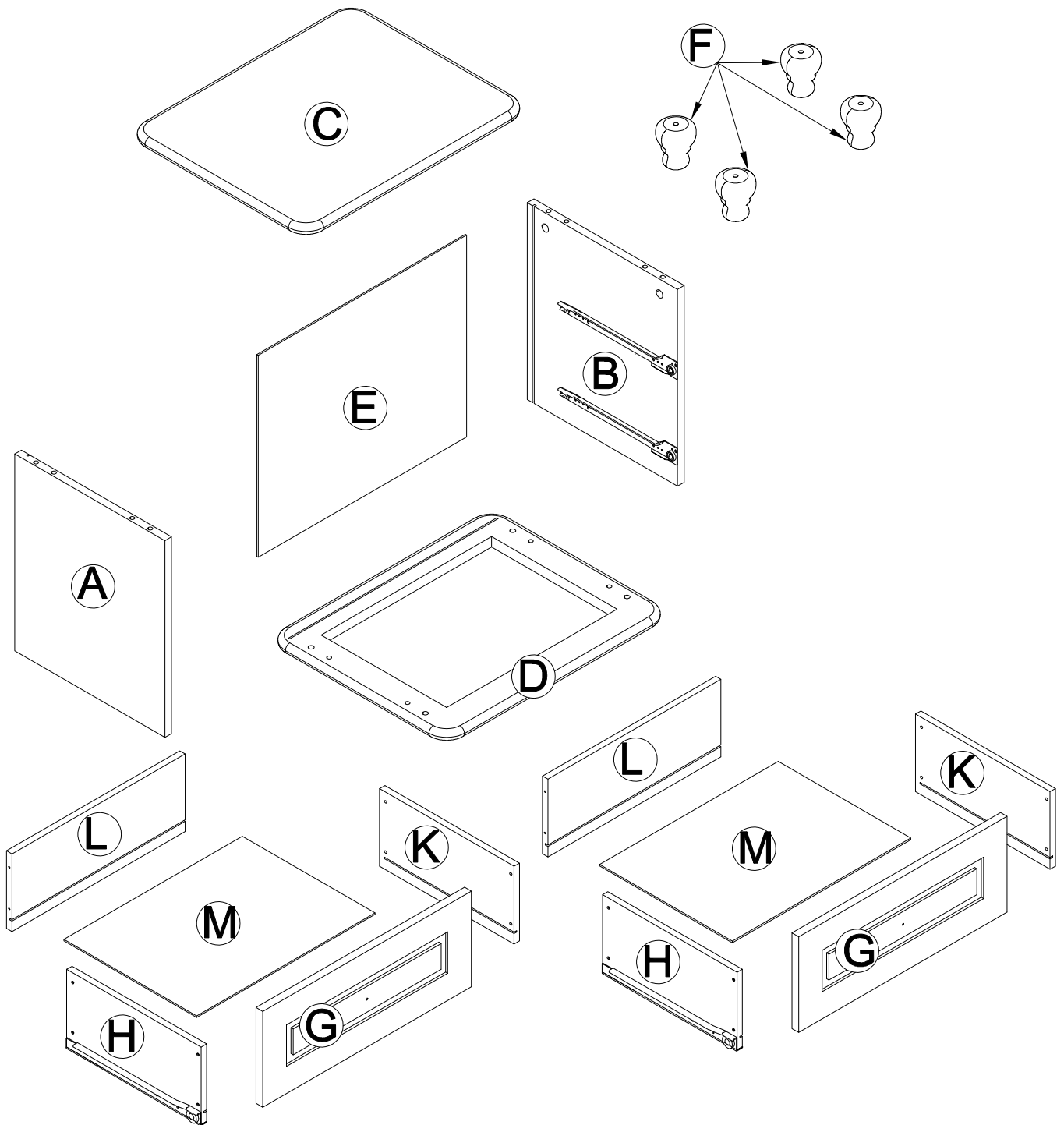


ASSEMBLY INSTRUCTION

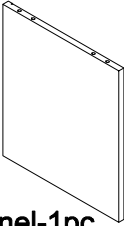
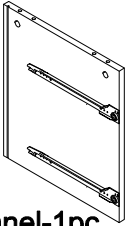
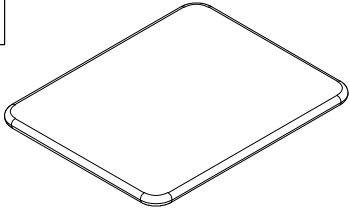
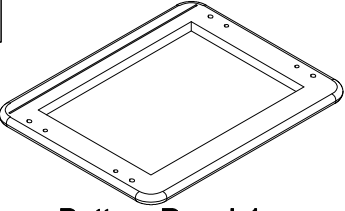
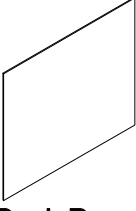

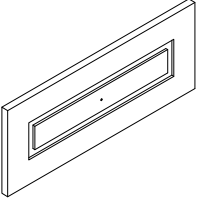
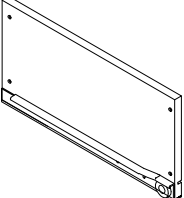
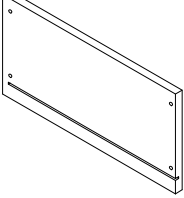
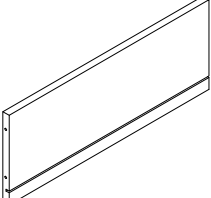
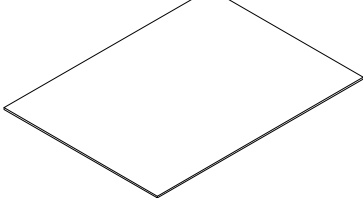
SKU CODE: (WF305173)



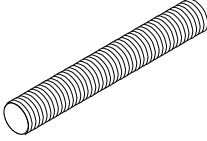
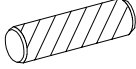
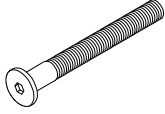



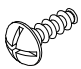
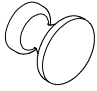
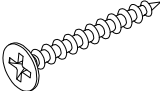
ASSEMBLY INSTRUCTION

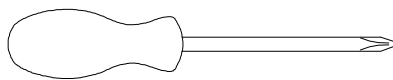


Part List

A  Side Panel-1pc	B  Side Panel-1pc	C  Top Panel-1pc
D  Bottom Panel-1pc	E  Back Panel-1pc	F  Legs-4pcs
G  Drawer-Front Panels-2pcs	H  Drawer-Side Panels-2pcs	K  Drawer-Side Panels-2pcs
L  Drawer-Side Panels-2pcs	M  Drawer-Bottom Panels-2pcs	

Hardware List

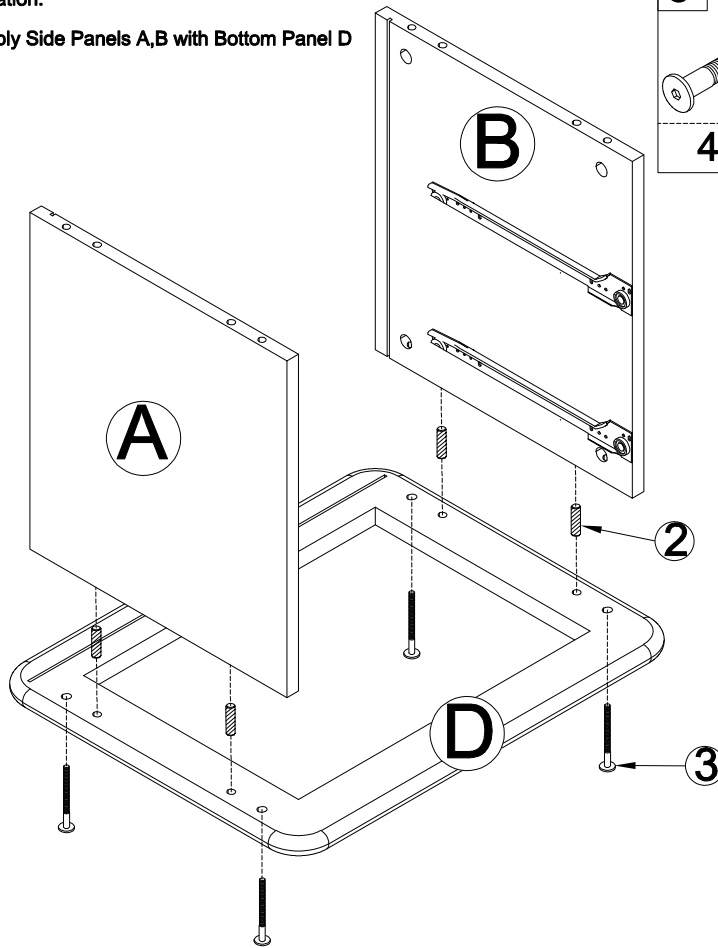
1  Lace bar 4pcs	2  Ø8 x 30 mm Wood dowel 8pcs	3  Ø1/4" x 30 mm Hex-Head bolts 4pcs
4  Allen Key 1pc	5  Cam latch 4pcs	6  Cam lock 4pcs
7  Ø1/6" x 25 mm Hex-Head bolts 2pcs	8  Handle Wood 2pcs	9  M4 x 30 mm Wood Screws 16pcs



Assembly Tools Required (Not Included)

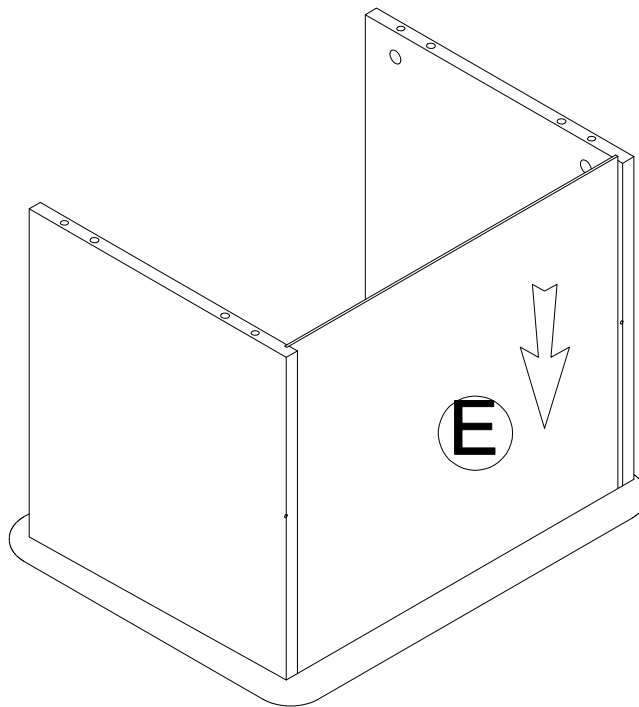
STEP 1: Following below illustration:

- Using hardward #3 and dowel #2 to Assembly Side Panels A,B with Bottom Panel D
- Look at detail view for more detail

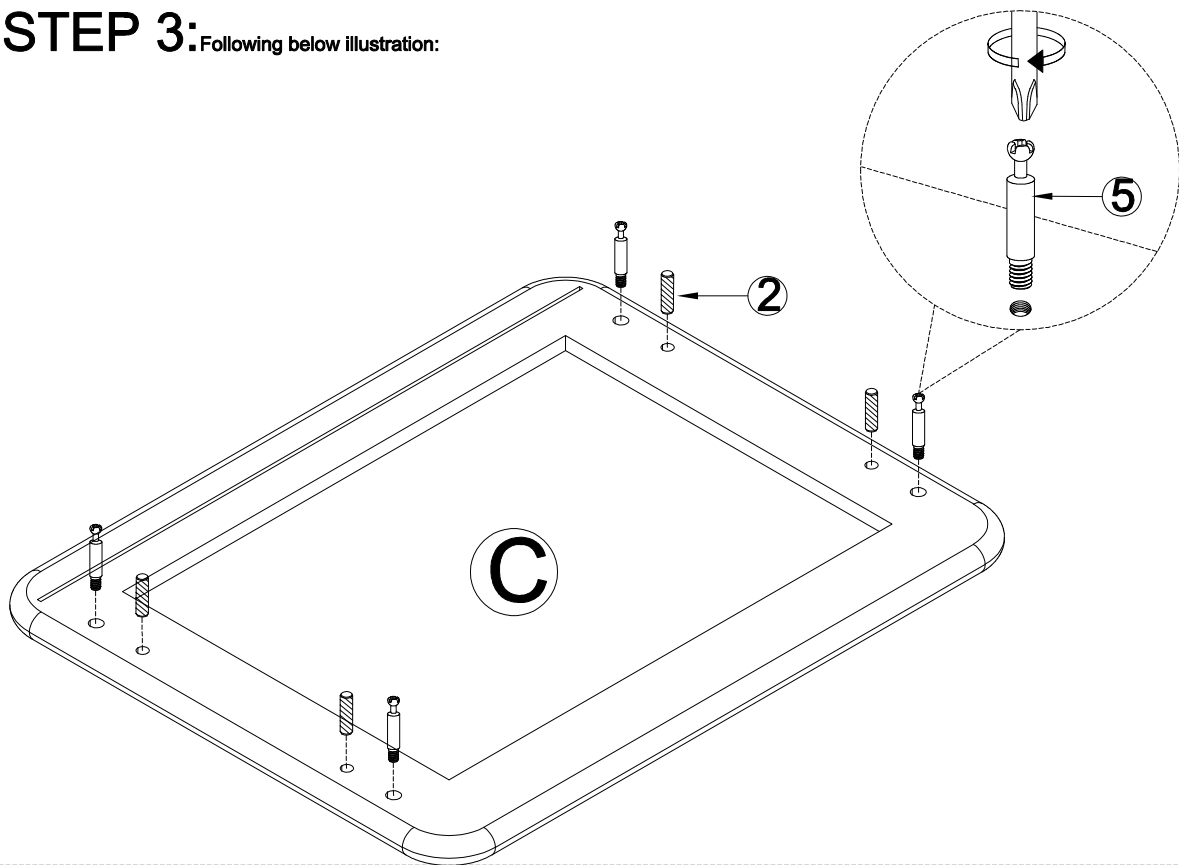


STEP 2: Following below illustration:

- Put Back Panel on right place



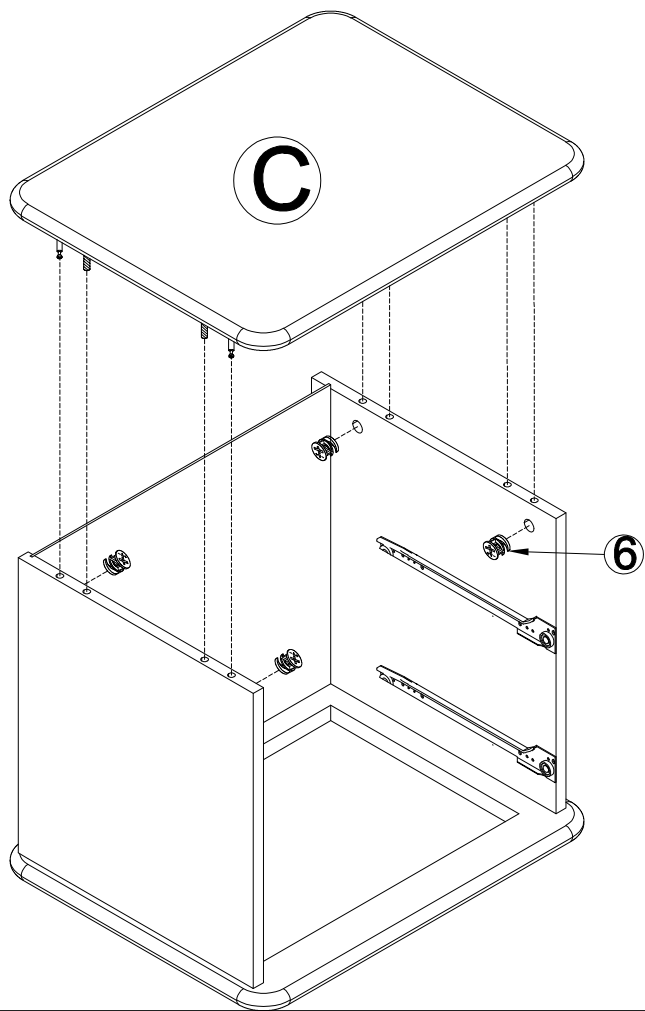
STEP 3: Following below illustration:



5	
4pcs	
2	
4pcs	

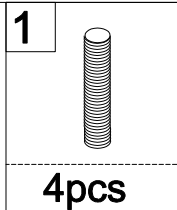
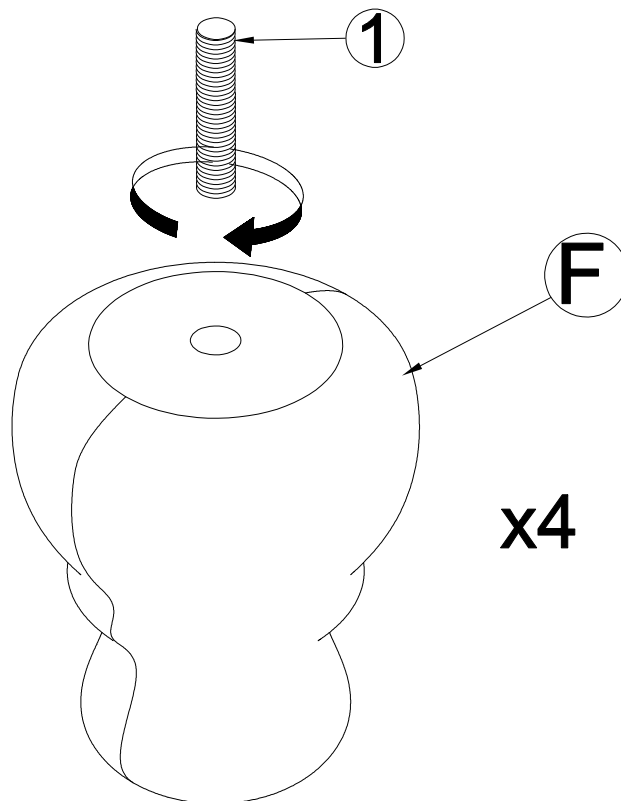
STEP 4: Following below illustration:

-Using hardware #4 connect Frame(completed on step 2) with Frame(completed on step 3)

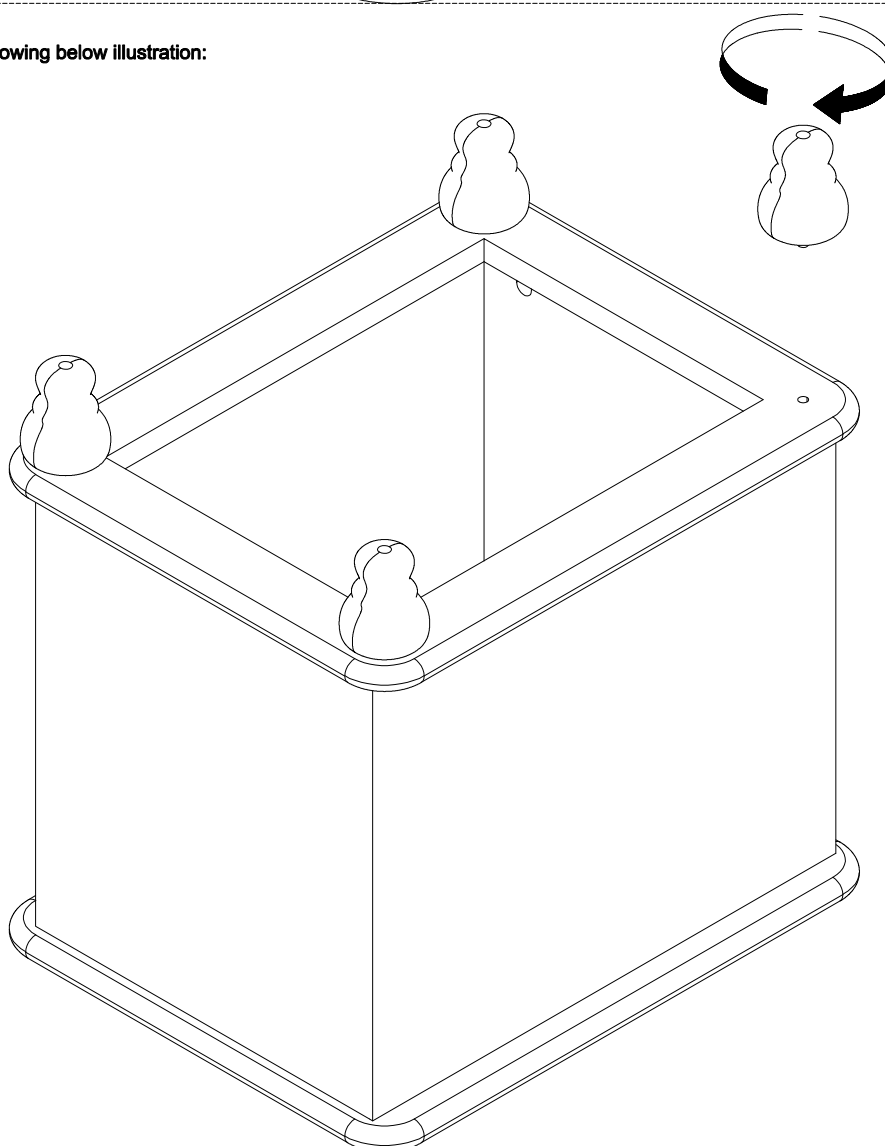


6	
4pcs	

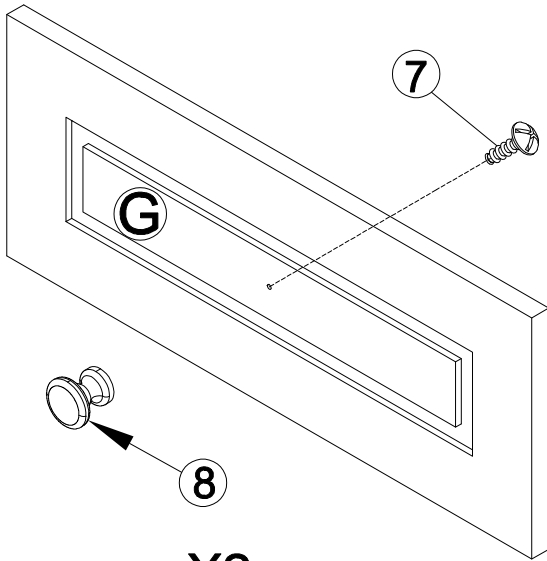
STEP 5: Following below illustration:



STEP 6: Following below illustration:



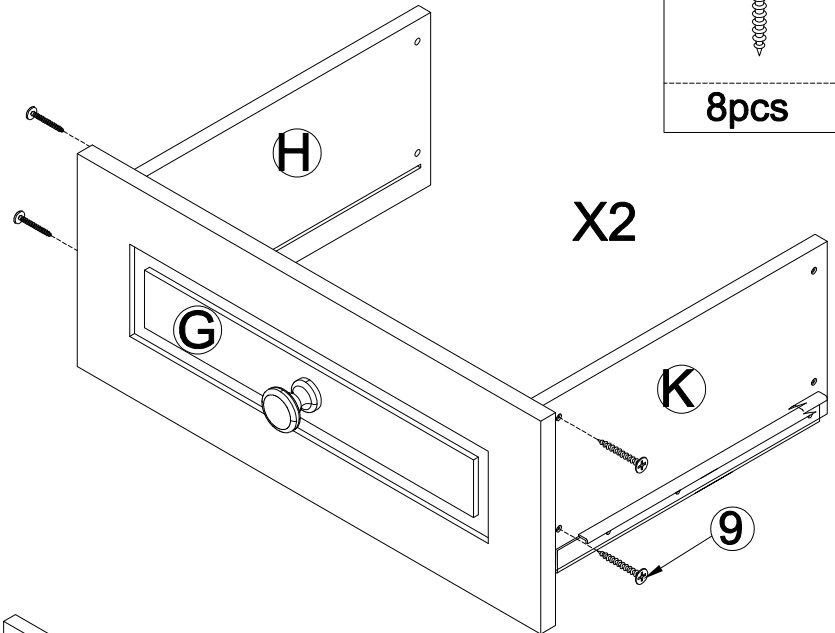
STEP 7-1:



X2

8	7
2pcs	2pcs

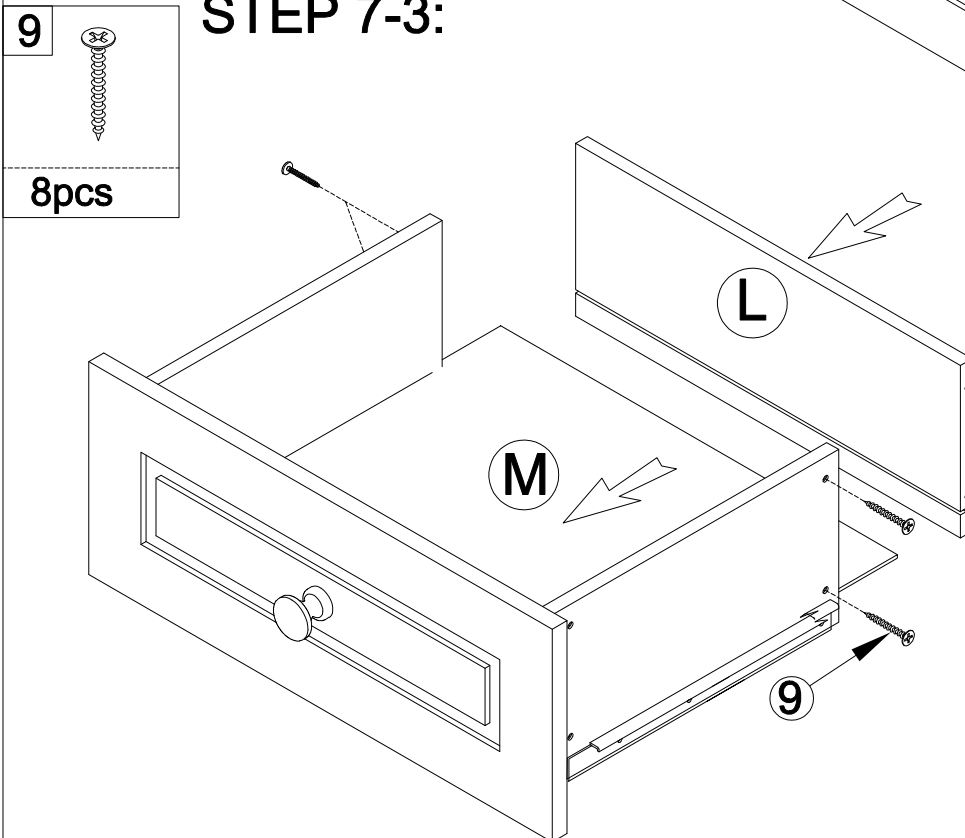
STEP 7-2:



X2

9	
8pcs	

STEP 7-3:



9	
8pcs	

STEP 8::CONGRARULATION. YOU HAVE COMPLETED THE BED

Push 2 drawer into it position

