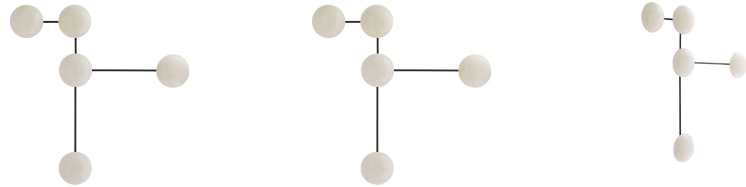
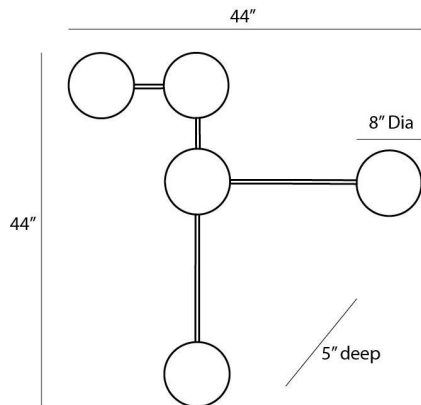


# ARTERIO RS

## GLAZE SCULPTURAL SCONCE

Workshop/APD



DA49007  
Blackened Steel, Ivory Stained  
Crackle Ceramic

Striking on its own but created to play well with others, the Glaze sculptural sconce can be rotated and combined to create endless, unique patterns and wall compositions. Incredible alone or in multiples, the sculptural sconce will transform entries and corridors and create a compelling focal point in hospitality and other commercial applications. Dramatic backlight effect behind the stunning ivory stained crackle shades. Certified for damp locations and intended for interior use.

### APPEARANCE

Materials	Ceramic, Ceramic, Steel, Glass
Finishes	Ivory Stained Crackle, Ivory Stained Crackle, Blackened Steel, Opal
Finish Will Vary	Yes
Top Coat/Sealant	No

### DIMENSIONS

Overall	W: 44 in x D: 4 in x H: 44 in
Backplate	Dia: 5.0 in
Shade	Dia: 8.0 in

### WIRING

Wire Rating	Damp
Cord	1 FT, Black, SVT
Socket	5, G9 Ceramic
Suggested Bulb Type	LED ONLY
Maximum Wattage	25.0
Voltage	110-120 V

### CERTIFICATIONS & COMPLIANCY

Certifications	Mexico, United States, Canada
Compliance	RoHS, UL/ETL

### SHIPPING

Product Weight	14.0 lbs
Gross Weight 1	22.6 lbs
Shipping Box 1	W: 7.0 in x D: 36.0 in x H: 43.0 in

### ADDITIONAL INFO

Features	ADA
----------	-----

### CONTRACT

Contract Suitability	Contract Suitable As Is
----------------------	-------------------------

### REPLACEMENT PARTS

DA49007CER