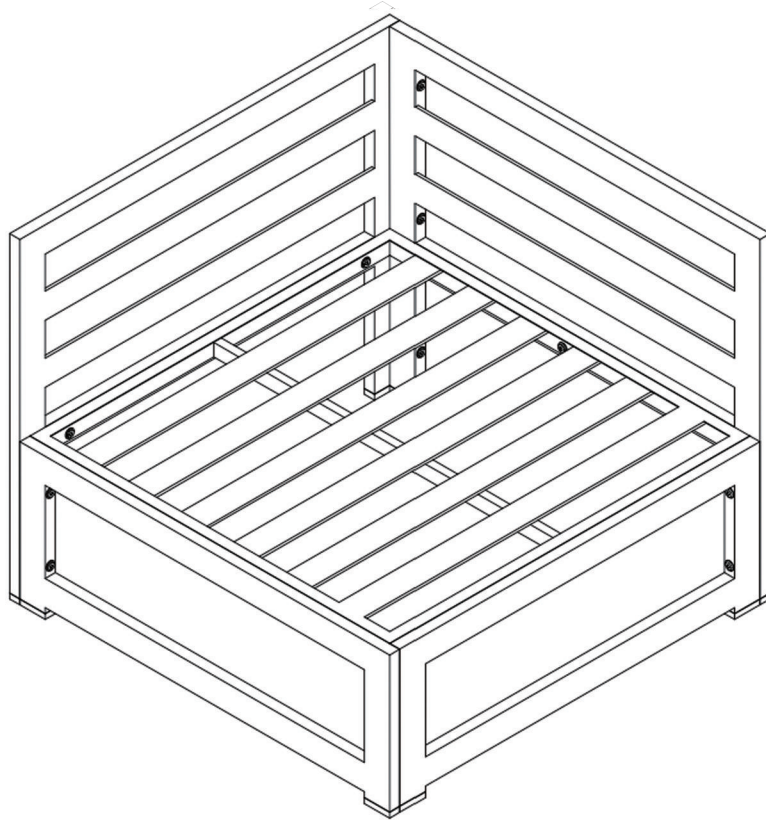




Unlimited Creativity, Astonishing Quality, Excellent Service

Corner Sofa



READ BEFORE INSTALLATION

1. If you encounter any problems, such as missing accessories or damaged parts
2. 2 persons needed for assembly.
3. Using an electric drill in slow mode, Our allen wrench is preferred.
4. DO NOT tighten the screws completely until align all the screws with the holes.

Back cushion NOTE

1. The back cushion is vacuumed sealed. After opening the bag, some time and fluffing will be required for the cushion to return to the original thickness.
2. Rub and flap the cushion to original thickness before use.

Hardware **1 SETS IN BOX**



#1
6x30mm
x 6



#2
6x65mm
x 9

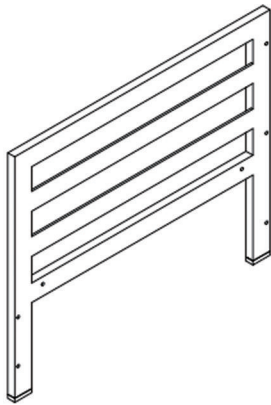


#3
Washer
x 15

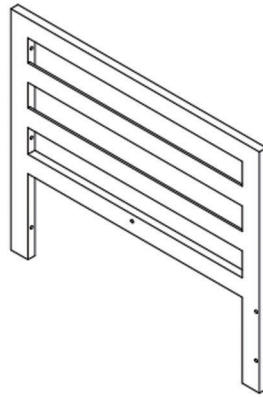


#4
Allen key
x 1

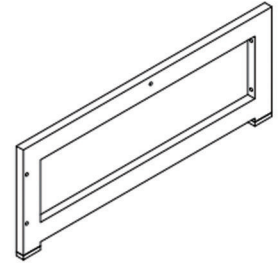
Parts **1 SETS IN BOX**



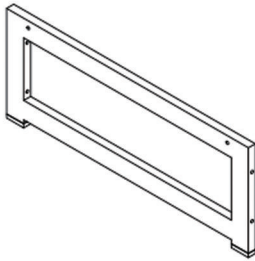
#A
75cm / 29.5in
x 1



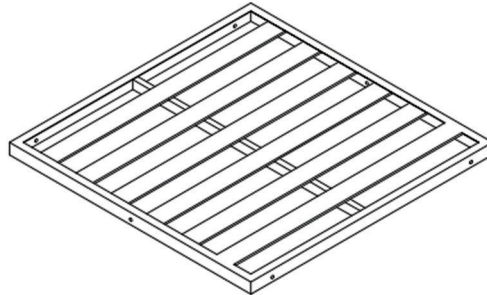
#B
73cm / 28.7in
x 1



#C
73cm / 28.7in
x 1

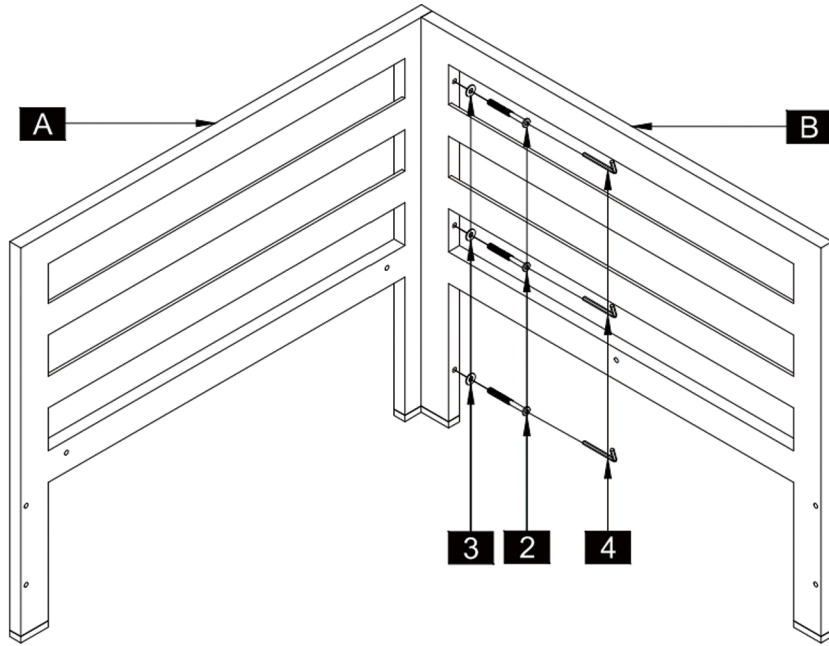


#D
71cm / 27.9in
x 1

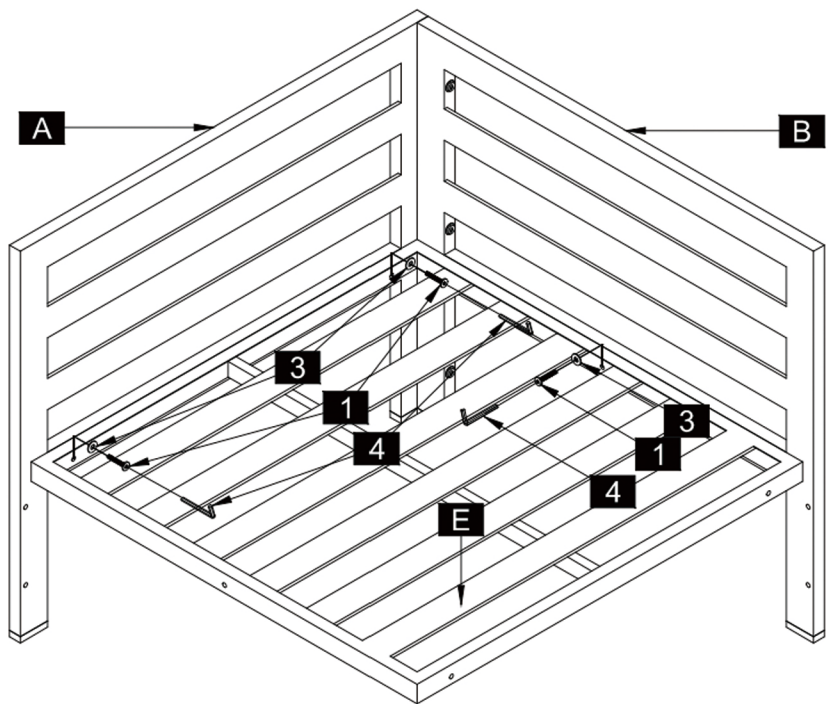


#E
x 1

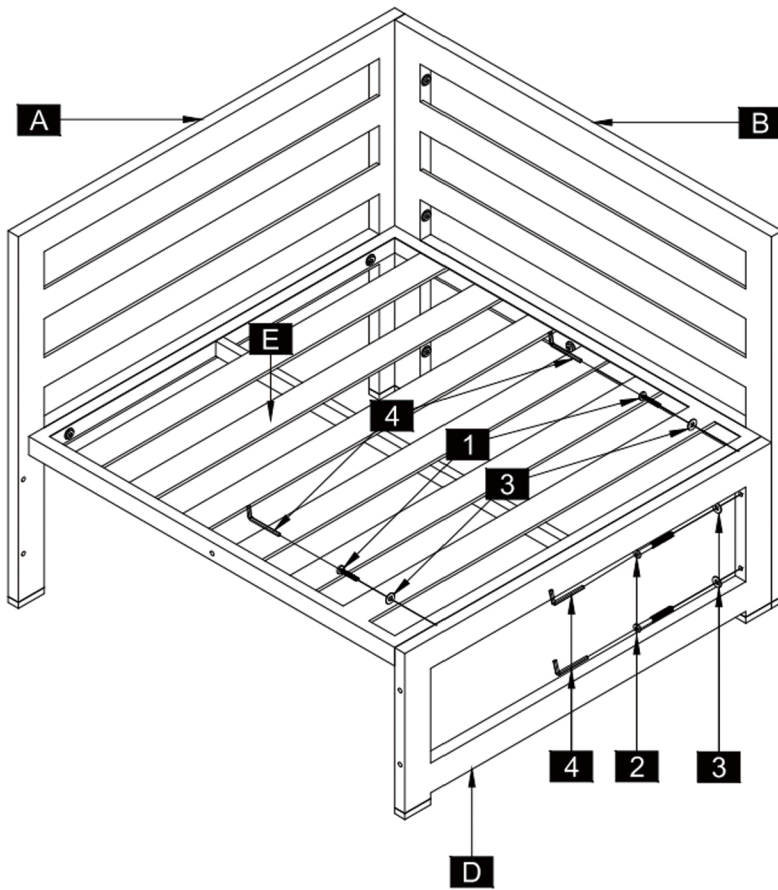
STEP 1



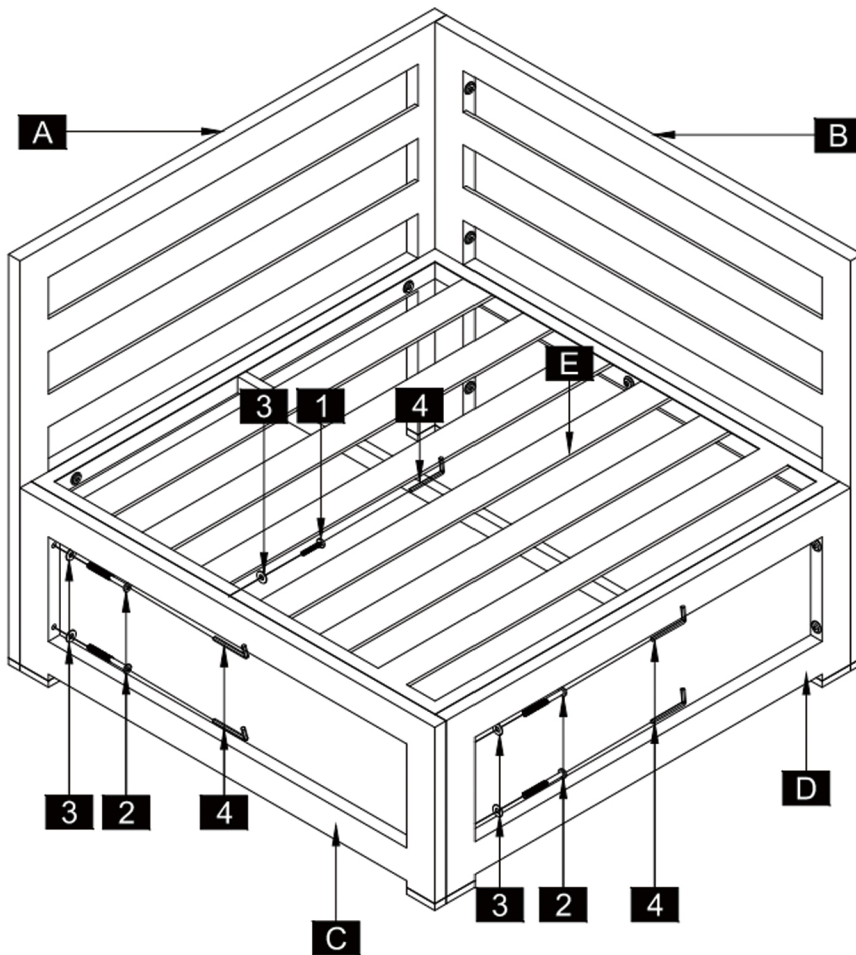
STEP 2



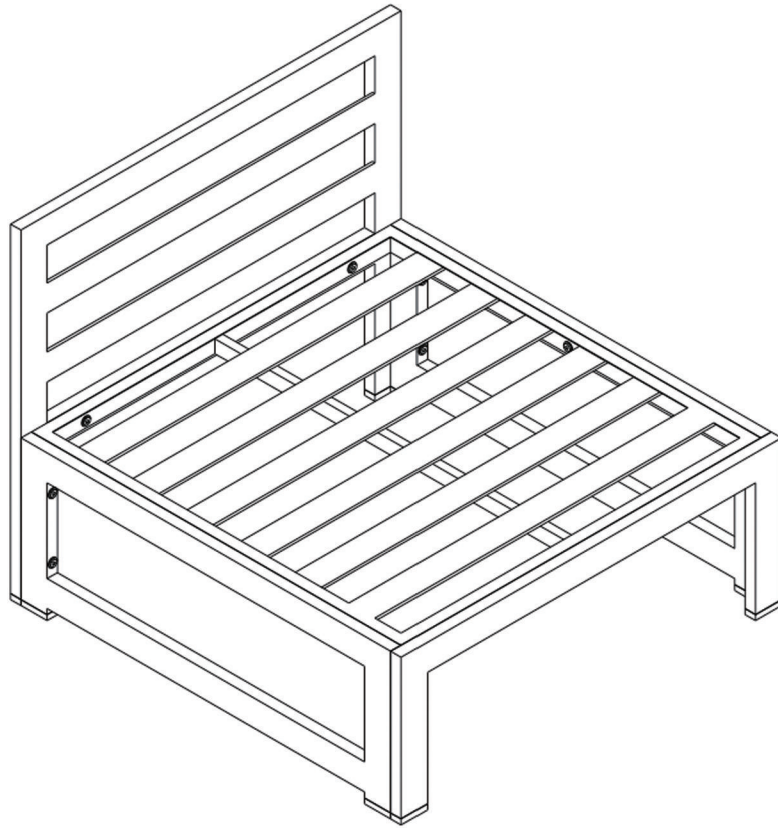
STEP 3



STEP 4



Armless Sofa



READ BEFORE INSTALLATION

1. If you encounter any problems, such as missing accessories or damaged parts
2. 2 persons needed for assembly.
3. Using an electric drill in slow mode, Our allen wrench is preferred.
4. DO NOT tighten the screws completely until align all the screws with the holes.

Back cushion NOTE

1. The back cushion is vacuumed sealed. After opening the bag, some time and fluffing will be required for the cushion to return to the original thickness.
2. Rub and flap the cushion to original thickness before use.

Hardware

2 SETS IN BOX



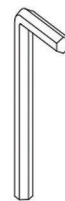
#1
6x30mm
x 6



#2
6x65mm
x 8



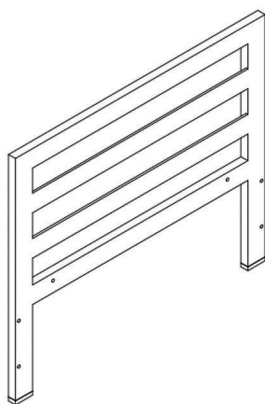
#3
Washer
x 14



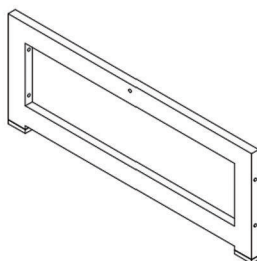
#4
Allen key
x 1

Parts

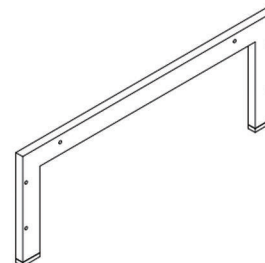
2 SETS IN BOX



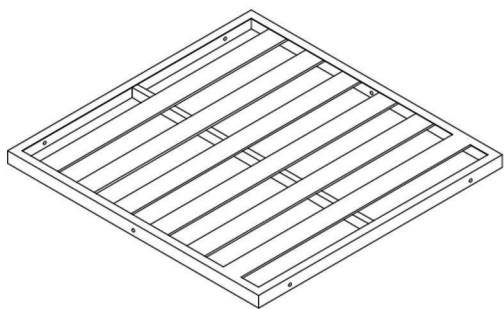
#F
73cm / 28.7in
x 1



#G
71cm / 27.9in
x 2

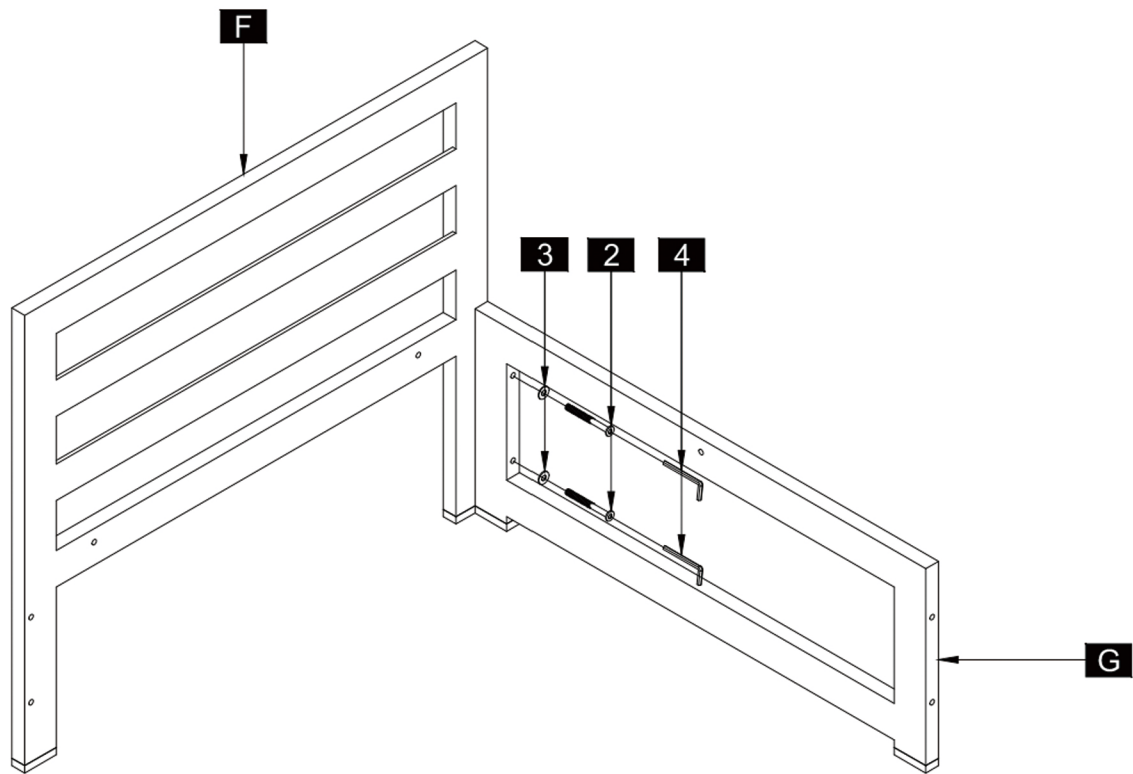


#H
73cm / 28.7in
x 1

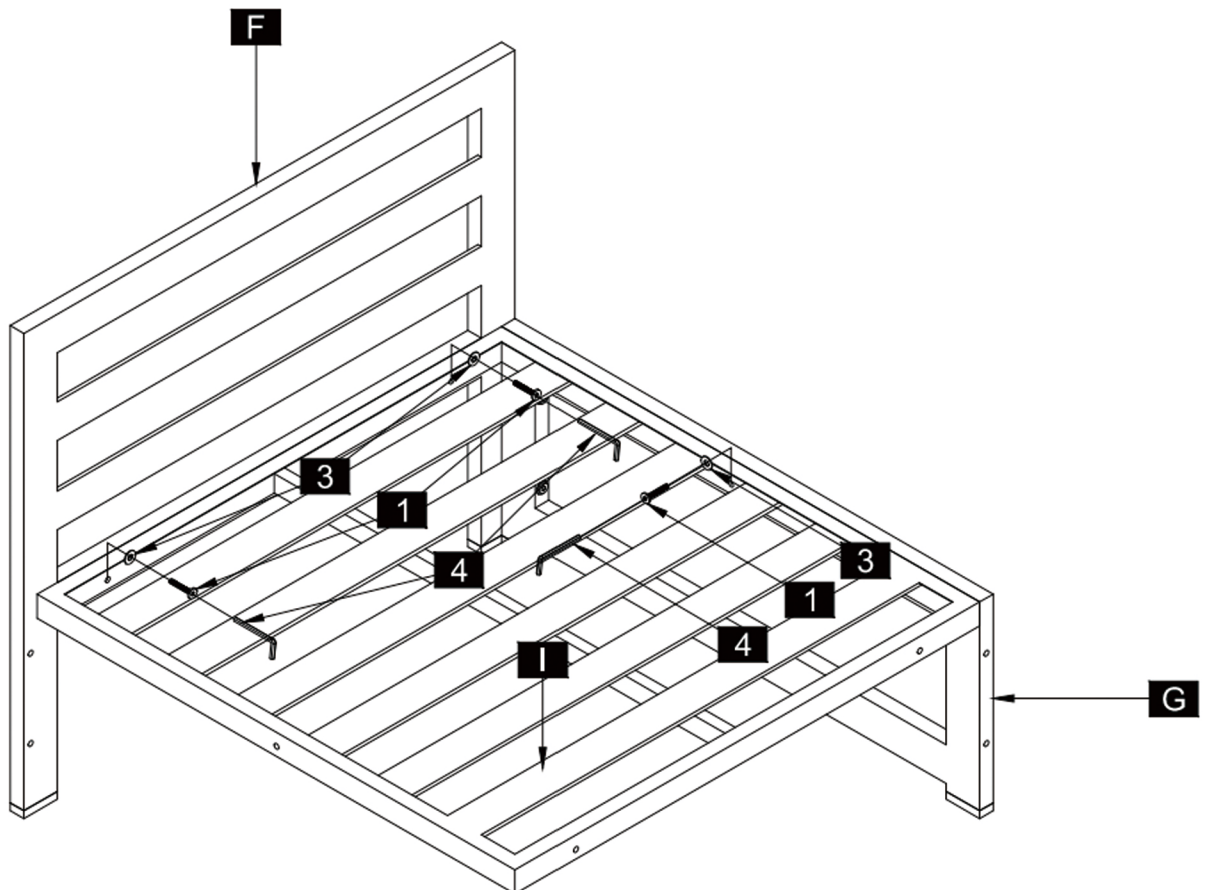


#I
x 1

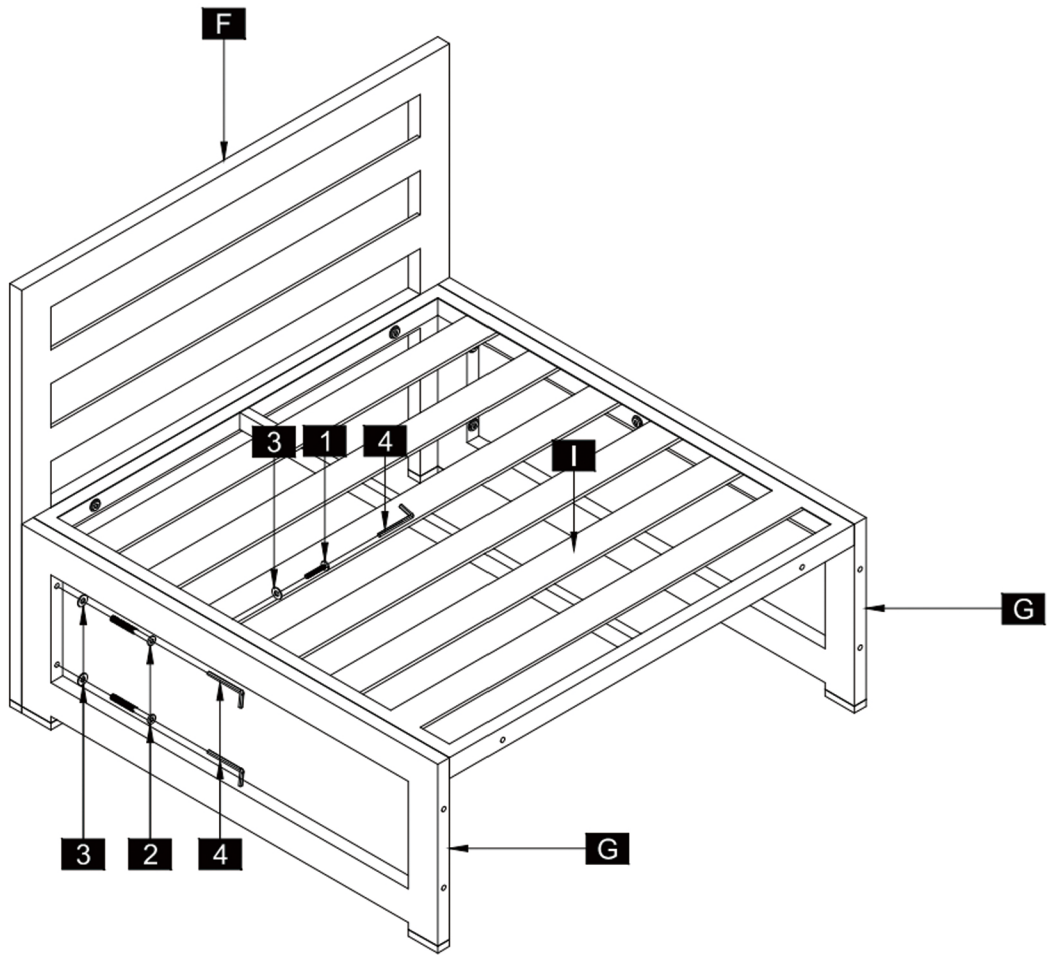
STEP 1



STEP 2



STEP 3



STEP 4

