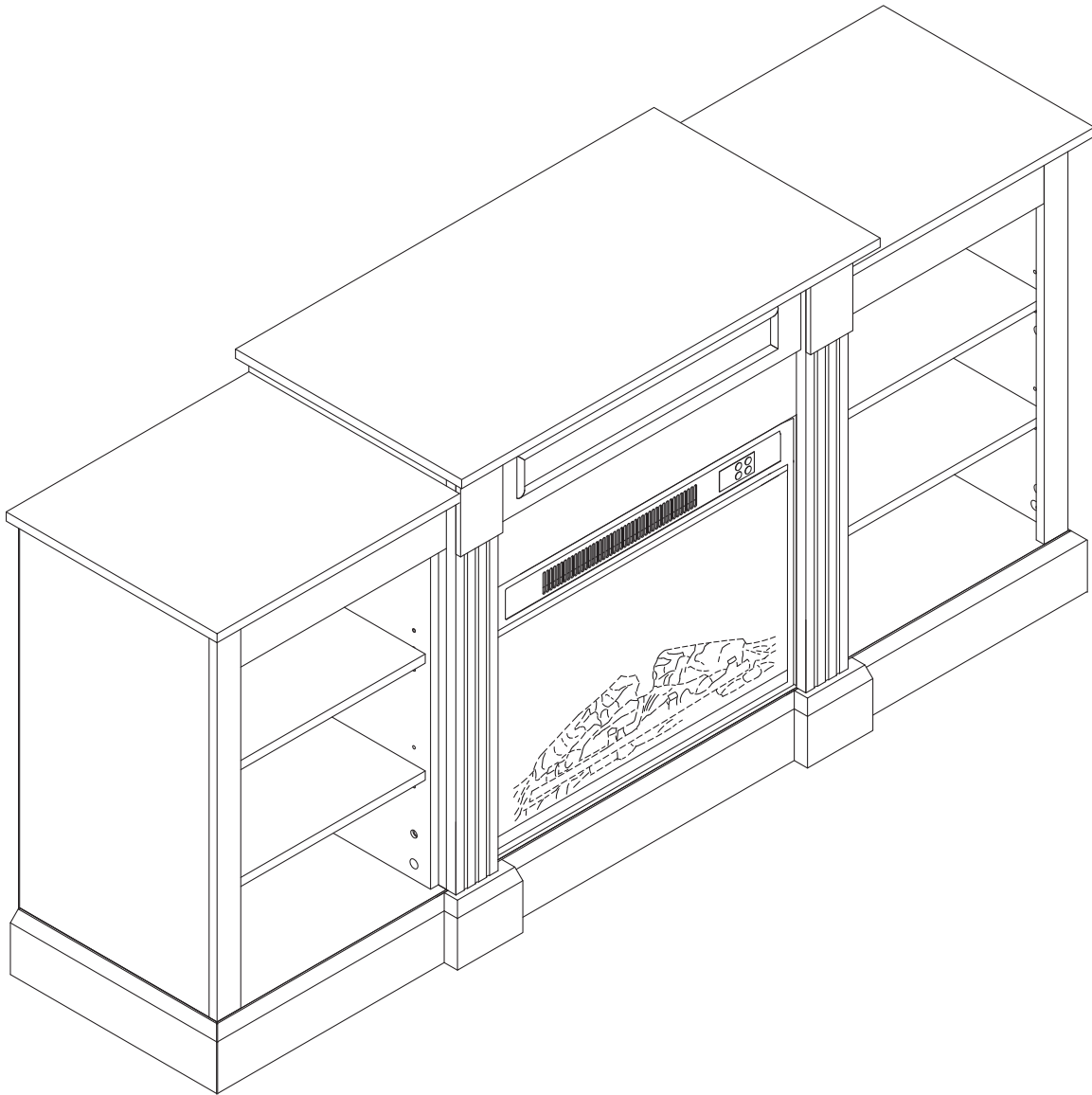


# Lenore 66" Mantel



The instruction booklet contains **IMPORTANT** safety information. Please read it in full and keep it for future reference.

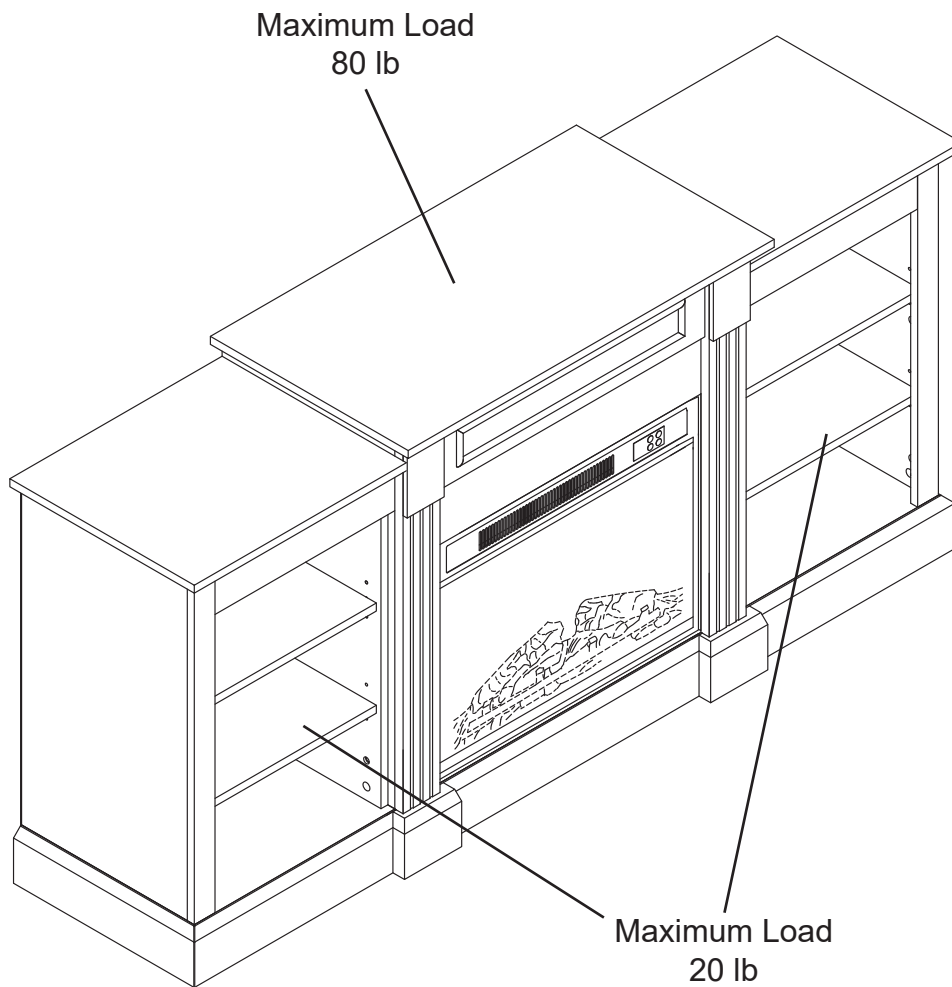


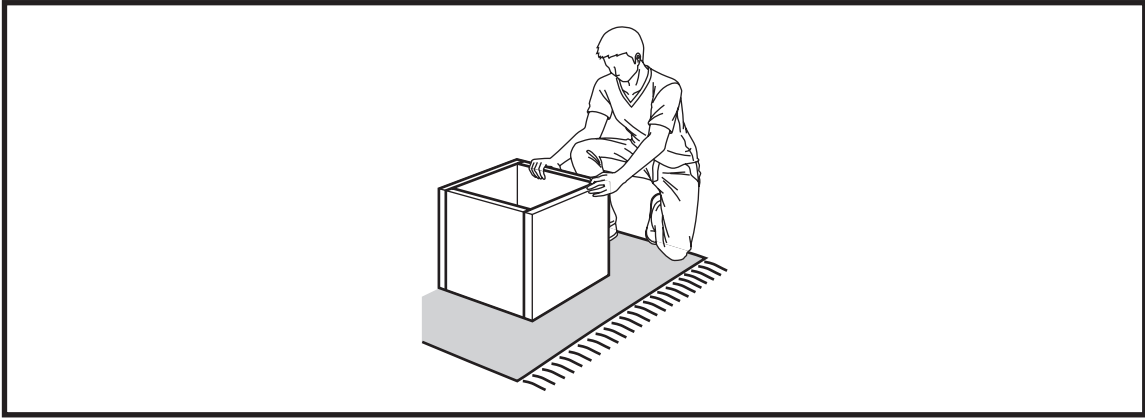
Estimated time for assembly:

**120 mins**



Weight limitations are as follows:

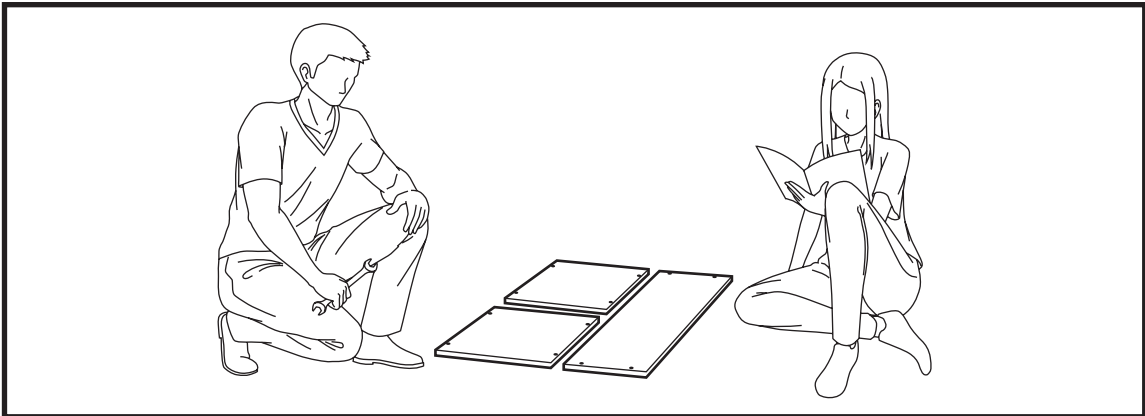




Assemble the furniture on an empty carton, carpet, or rug to prevent scratches or damage.

For safety, please keep pets and children away from the assembly area.

Ensure the product is fully assembled before use. If you are missing any hardware or products, do not use it until you have restored the missing parts.



This furniture requires 2 people for assembly.

Read this instruction manual prior to assembly to familiarize yourself with the various steps.

Lay out all components and hardware separately on a flat surface and make sure that no parts are missing or damaged before assembly. Do not destroy or discard any packaging until you are certain that you have all the necessary parts for assembly.

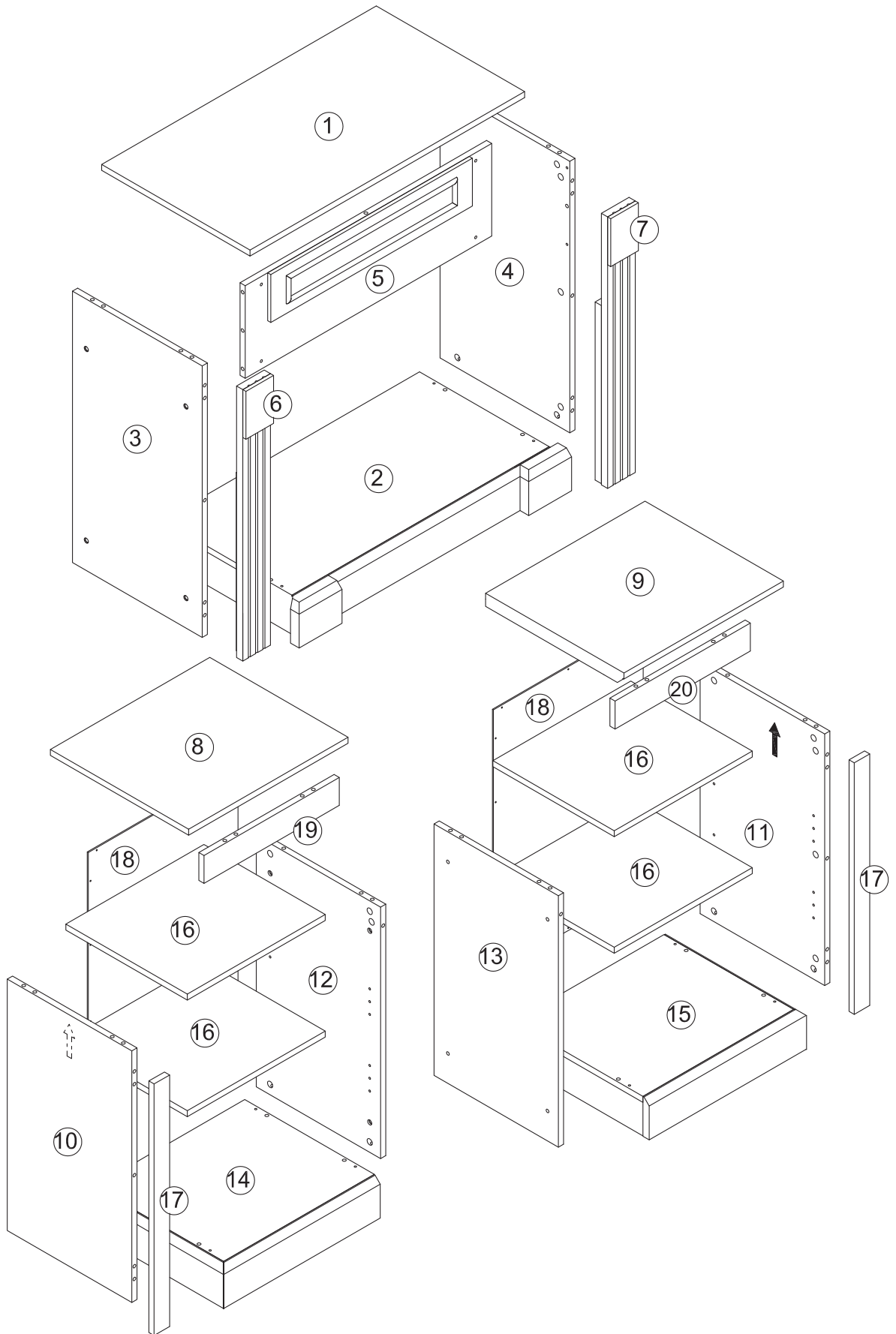
Hand tight all hardware and careful not to over tighten to avoid damaging the product.

## **CAUTION**

There are small components used in the construction of this product. Loose items should be kept away from pets and children to avoid a choking hazard.

Keep all plastic bags and packaging film away from pets and children to avoid suffocation.

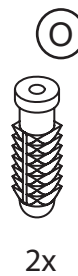
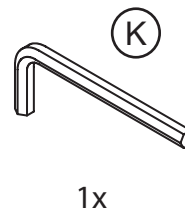
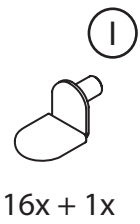
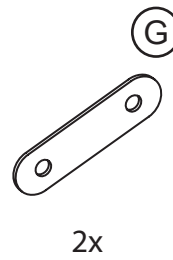
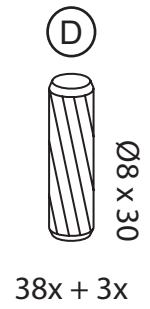
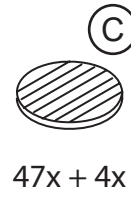
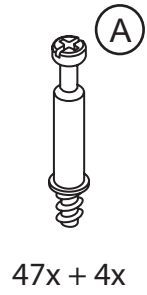
# PACKAGE CONTENTS



# PACKAGE CONTENTS

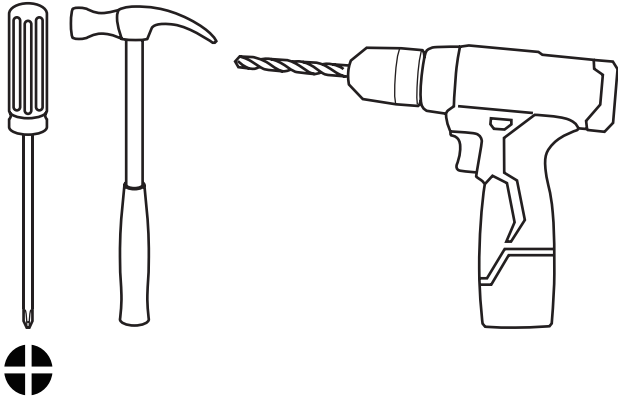
CODE	DESCRIPTION	QTY
1	Fire Mantel Top Panel	1
2	Fire Mantel Bottom Panel	1
3	Fire Mantel Left Side Panel	1
4	Fire Mantel Right Side Panel	1
5	Fire Mantel Front Panel	1
6	Fire Mantel Left Baffle	1
7	Fire Mantel Right Baffle	1
8	Left Shelf Top Panel	1
9	Right Shelf Top Panel	1
10	Left Shelf Left Panel	1
11	Right Shelf Right Panel	1
12	Left Shelf Right Panel	1
13	Right Shelf Left Panel	1
14	Left Shelf Base	1
15	Right Shelf Base	1
16	Storage Shelf Panel	4
17	Shelf Baffle	2
18	Back Panel	2
19	Left Shelf Crossbar	1
20	Right Shelf Crossbar	1

# PACKAGE CONTENTS



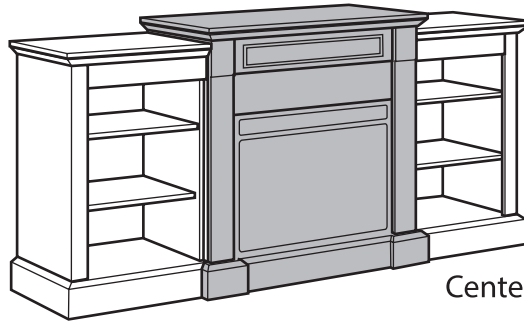
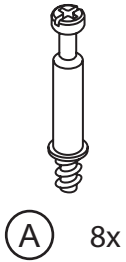
Install all hardware perpendicular to the opening.

Required tools for assembly (Not included)

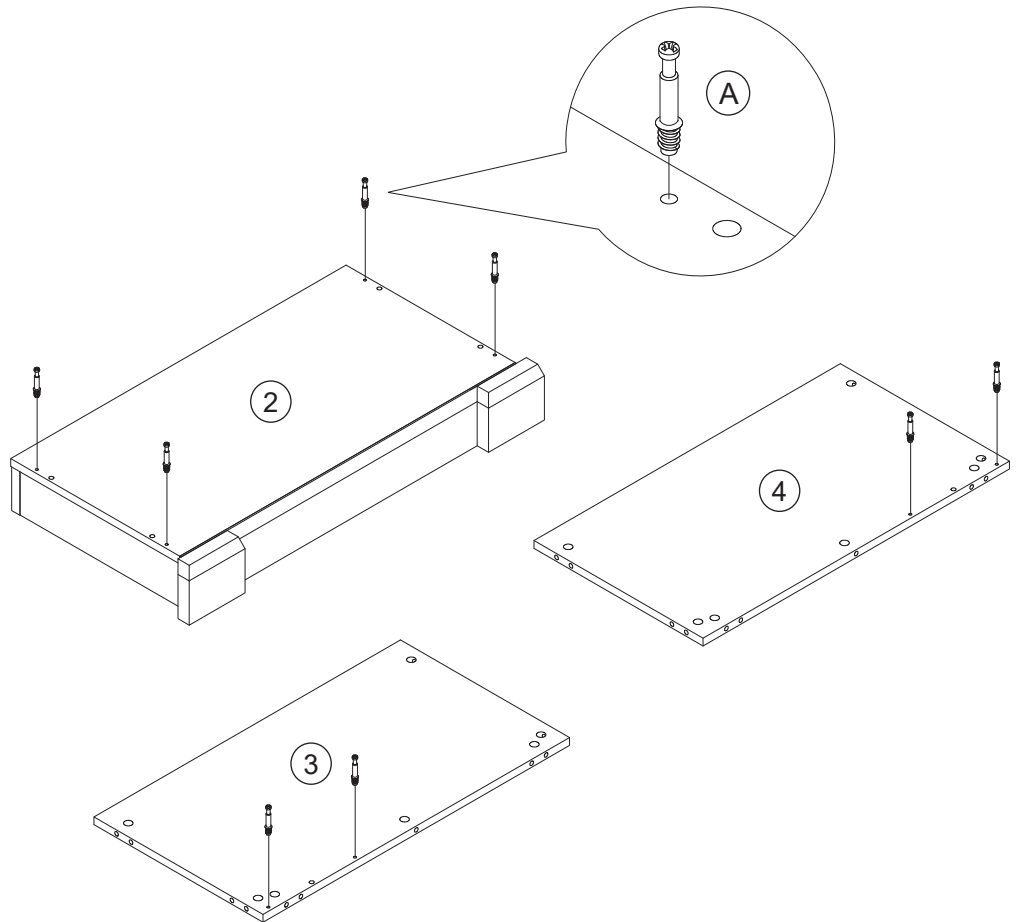


1

Attach cam bolts to the top of the fire mantel bottom panel (2) and fire mantel side panels (3,4).

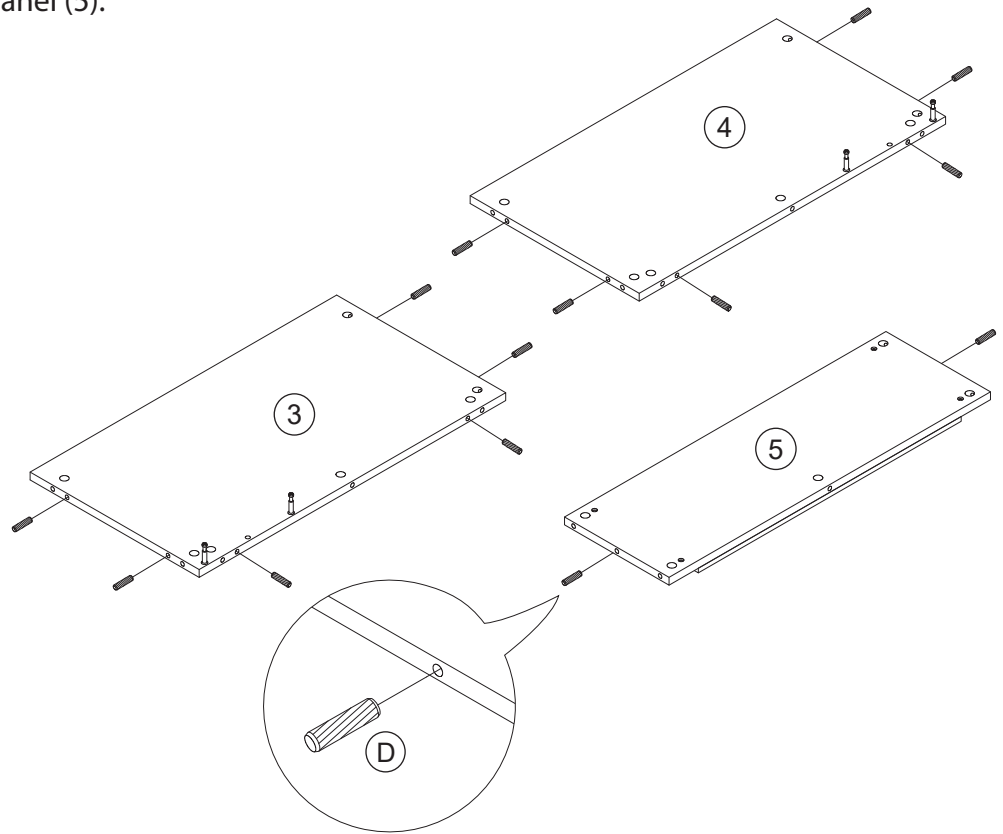
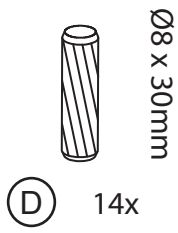


Center fire mantel assembly.



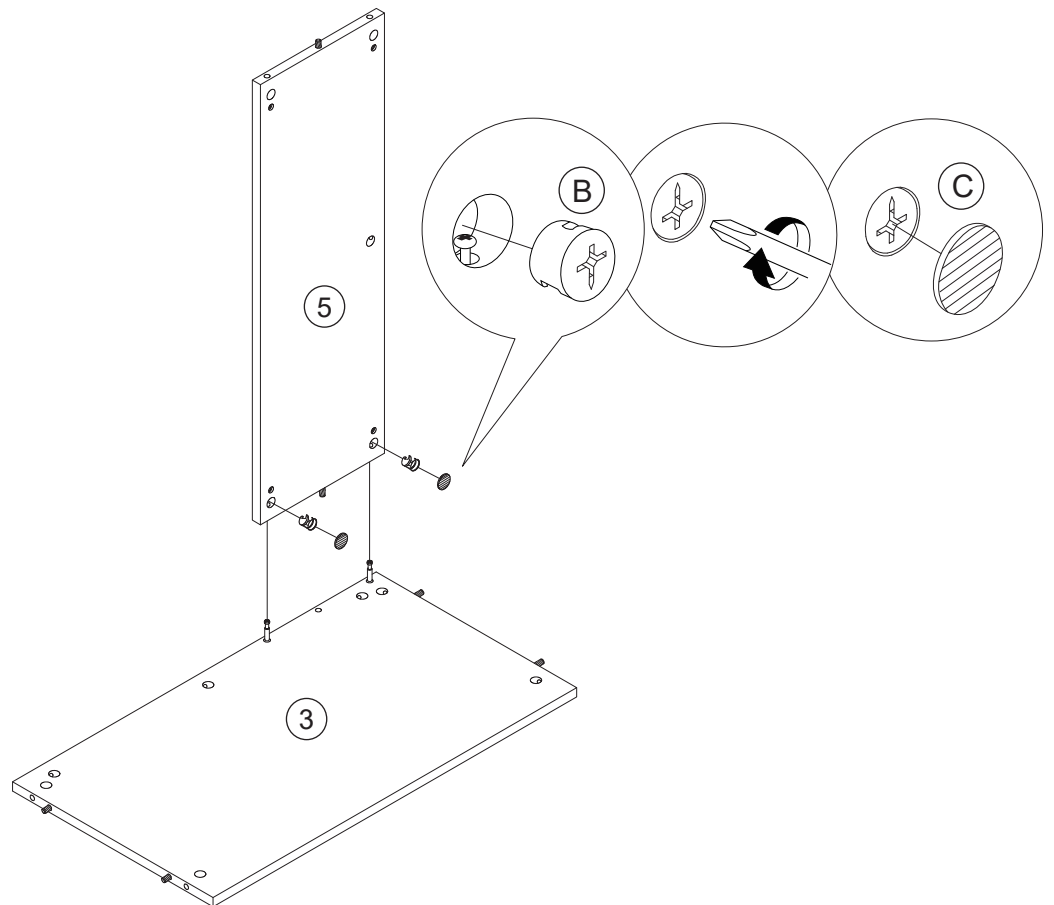
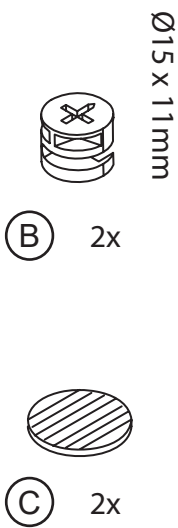
# 2

Insert wood dowels to the fire mantel side panels (3,4) and fire mantel front panel (5).



# 3

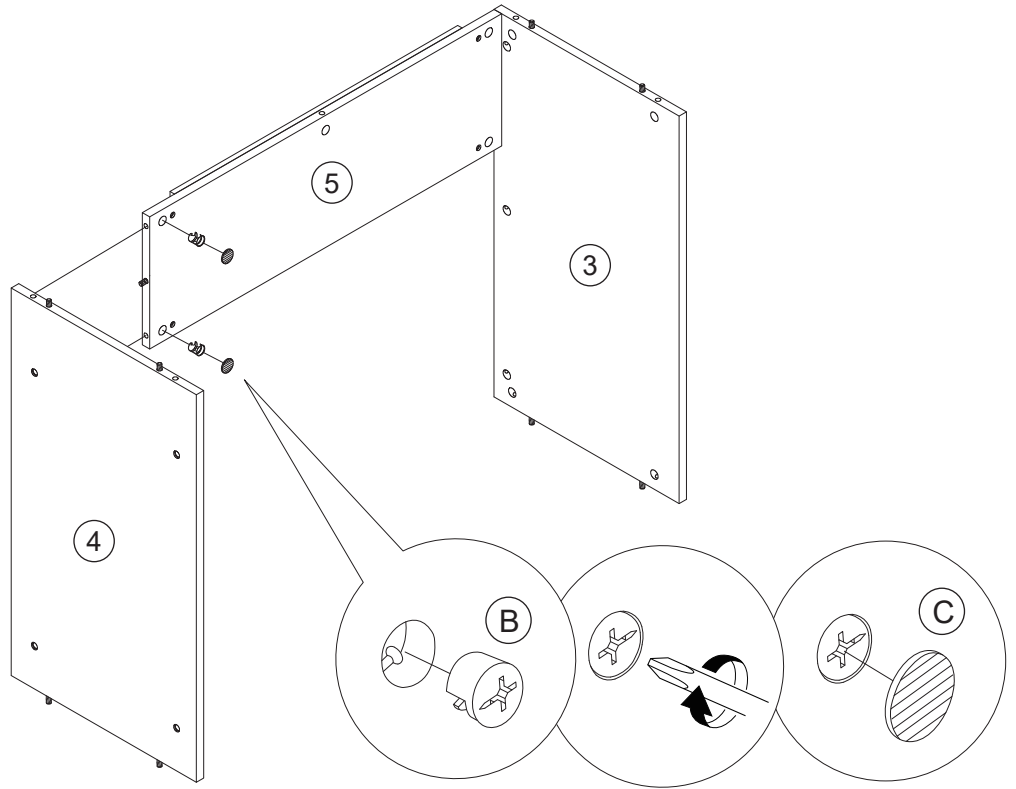
Assemble the fire mantel front panel (5) to the fire mantel left side panel (3).



# 4

- Ø15 x 11 mm
- (B) 2x
  - (C) 2x

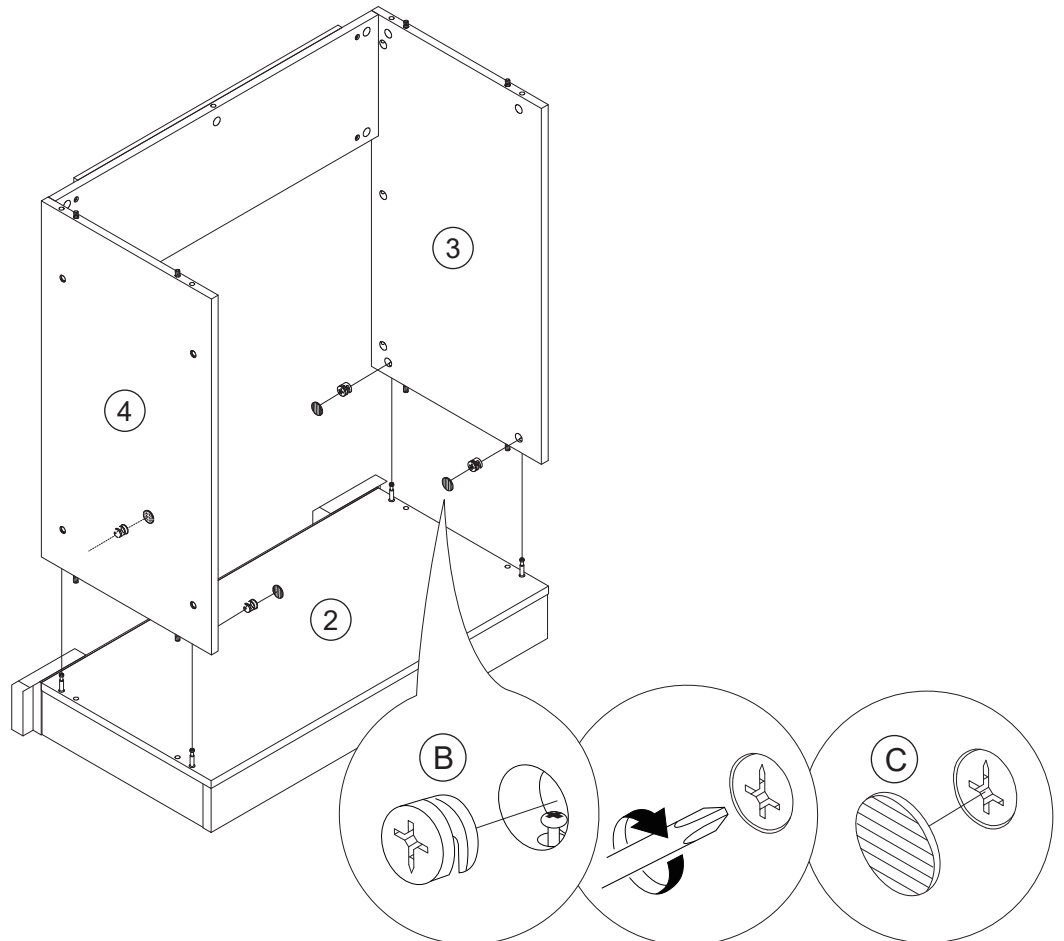
Assemble the fire mantel right side panel (4) to the assembly.



# 5

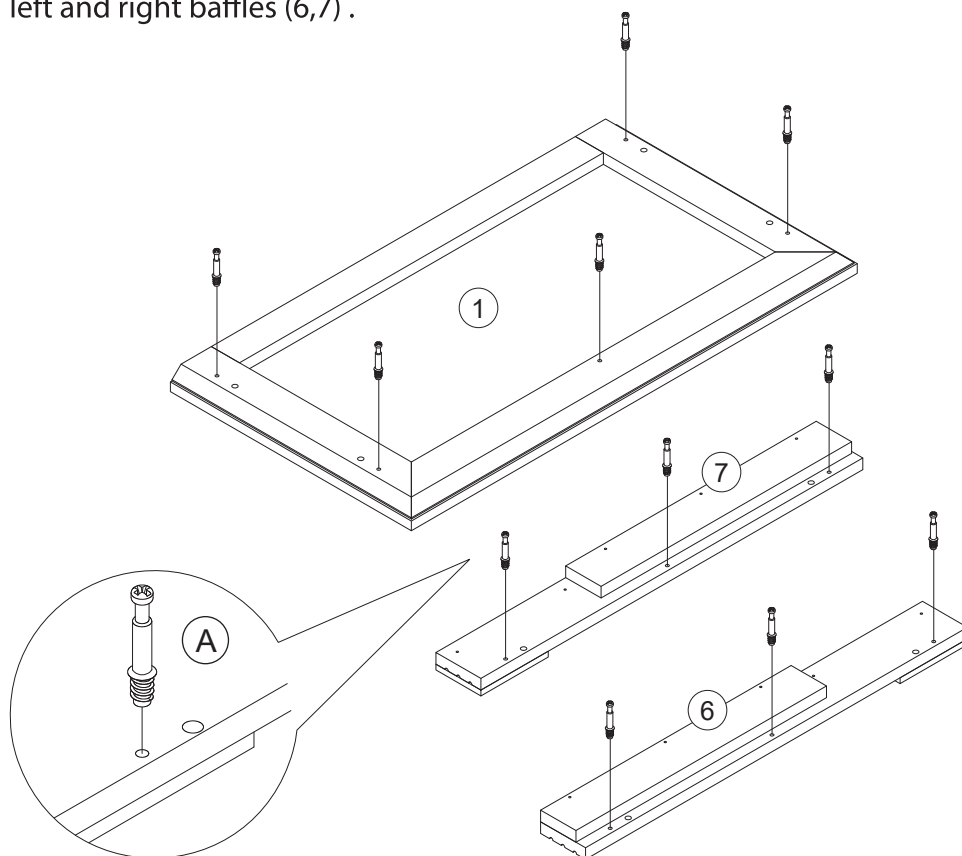
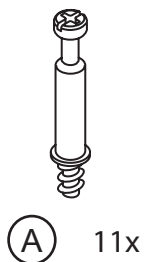
- Ø15 x 11 mm
- (B) 4x
  - (C) 4x

Assemble the assembly on the fire mantel bottom panel (2).



# 6

Attach cam bolts to the underside of the fire mantel top panel (1), fire mantel left and right baffles (6,7).

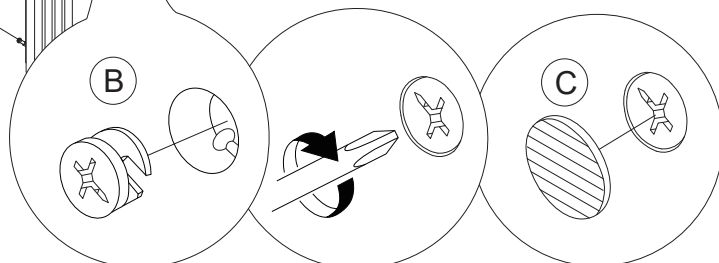
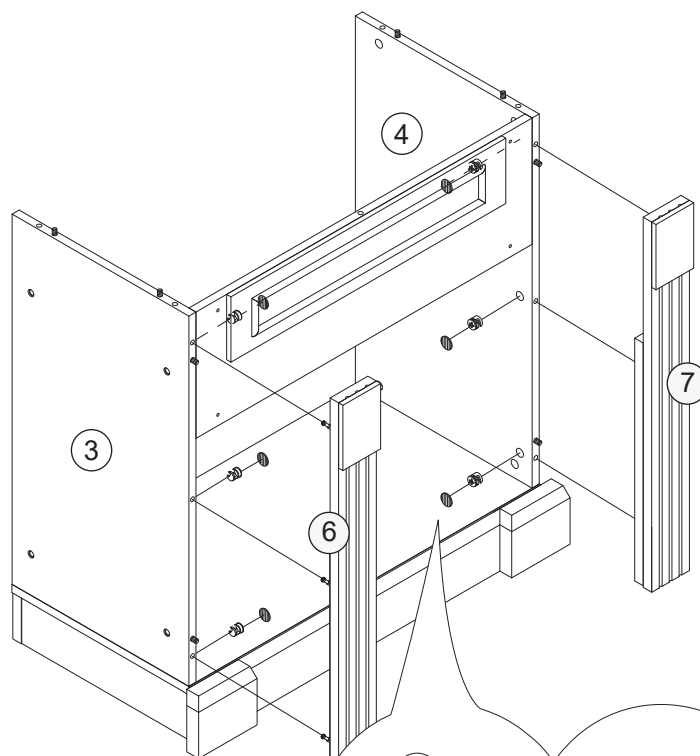
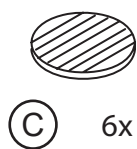


# 7

Assemble the fire mantel left baffle (6) to the fire mantel left side panel (3). Then assemble the fire mantel right baffle (7) to the fire mantel right side panel (4).

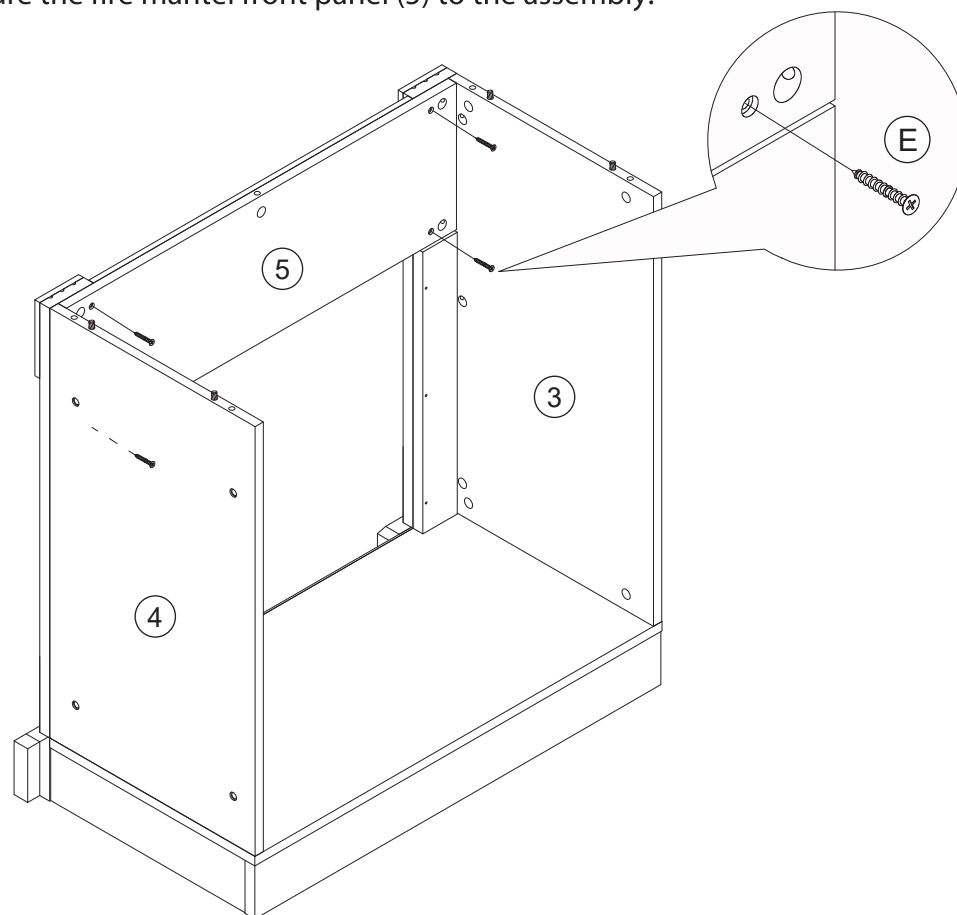


Ø15 x 11mm



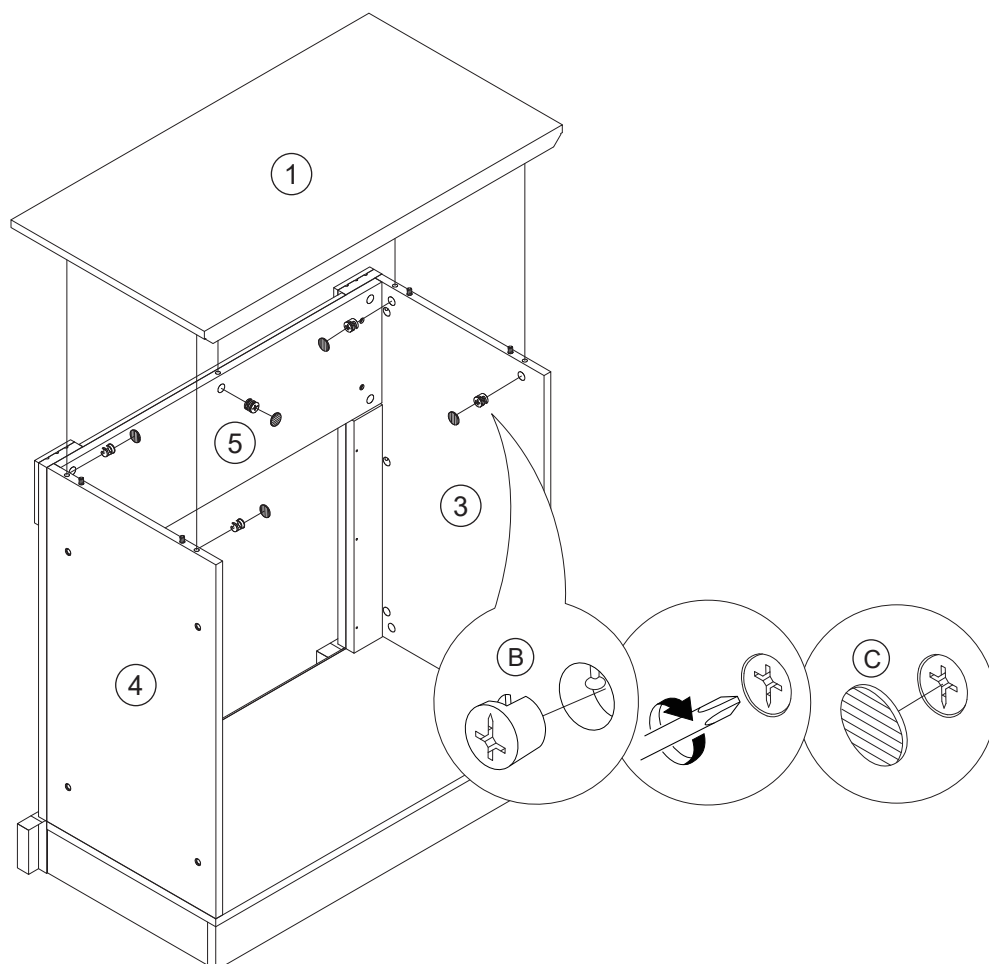
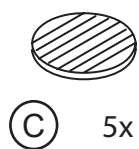
# 8

Secure the fire mantel front panel (5) to the assembly.



# 9

Assemble the fire mantel top panel (1) on the assembly.

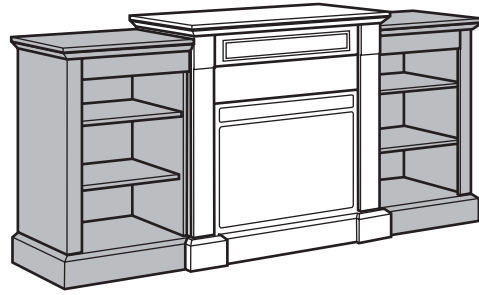


# 10

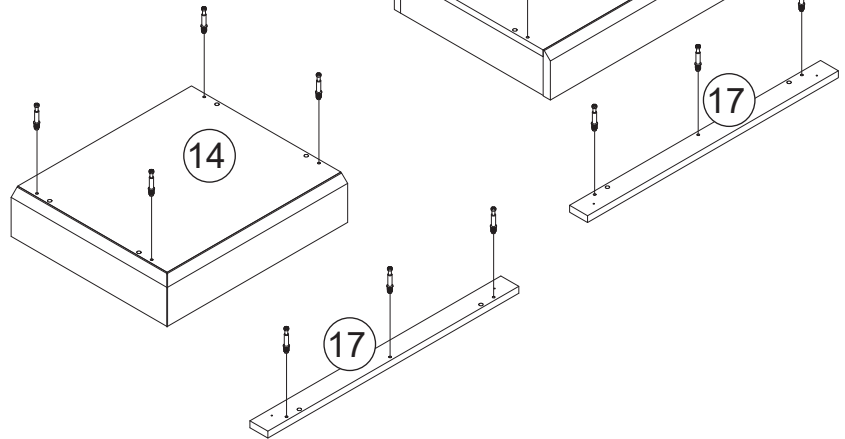
Attach cam bolts to the top of the left and right shelf bases (14,15) and shelf baffles (17).



(A) 14x



Side shelf assembly.



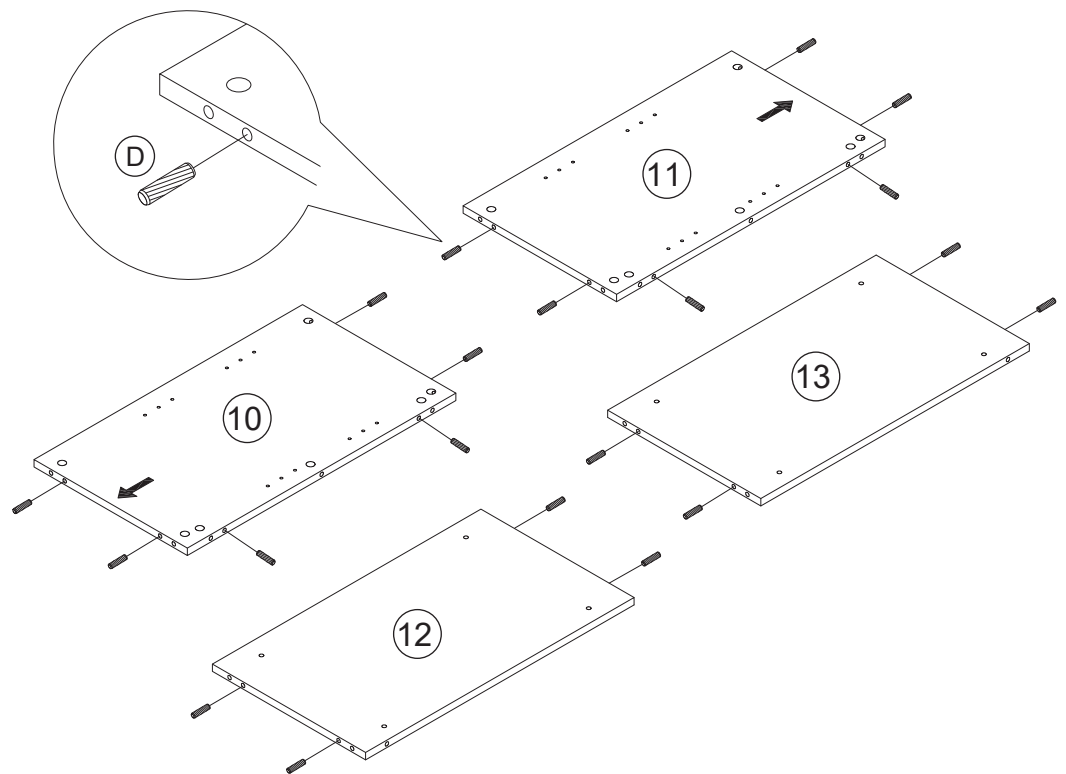
# 11

Insert wood dowels to the shelf panels (10,11,12,13).



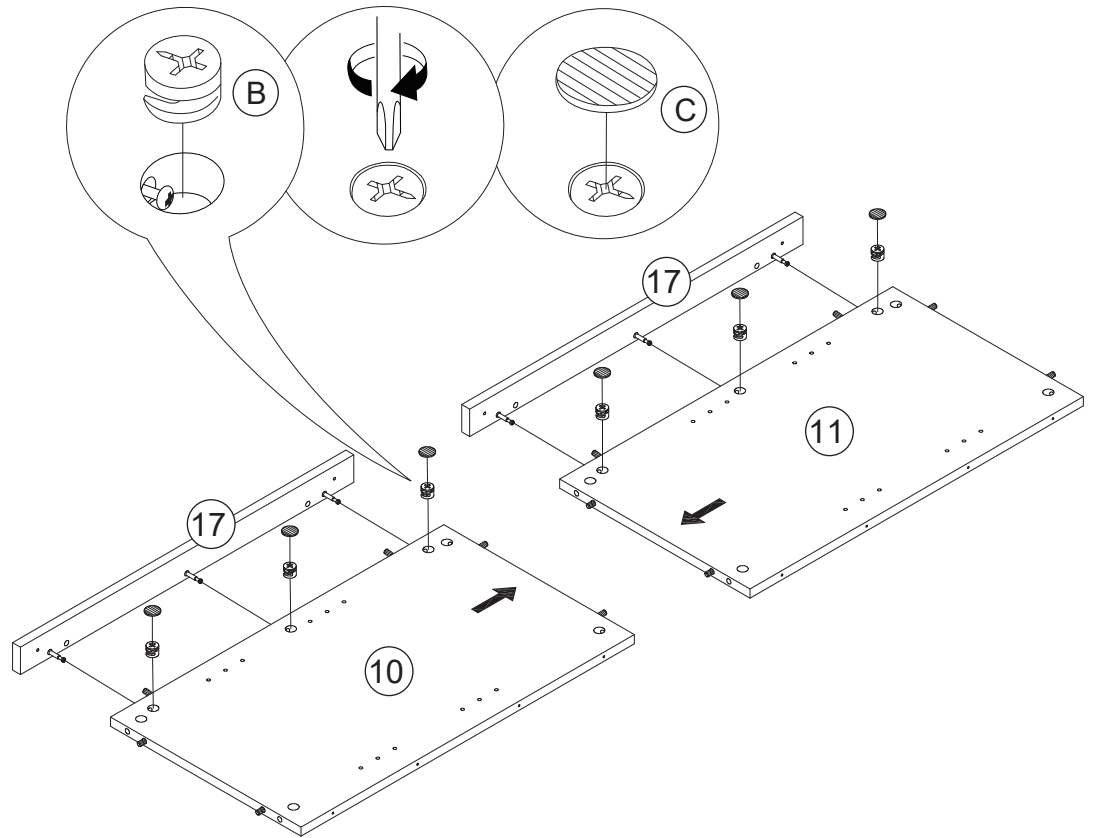
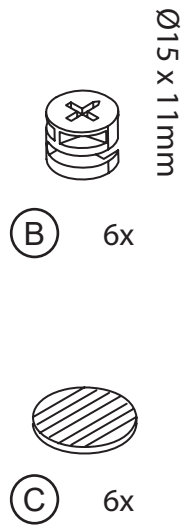
Ø8 x 30mm

(D) 20x



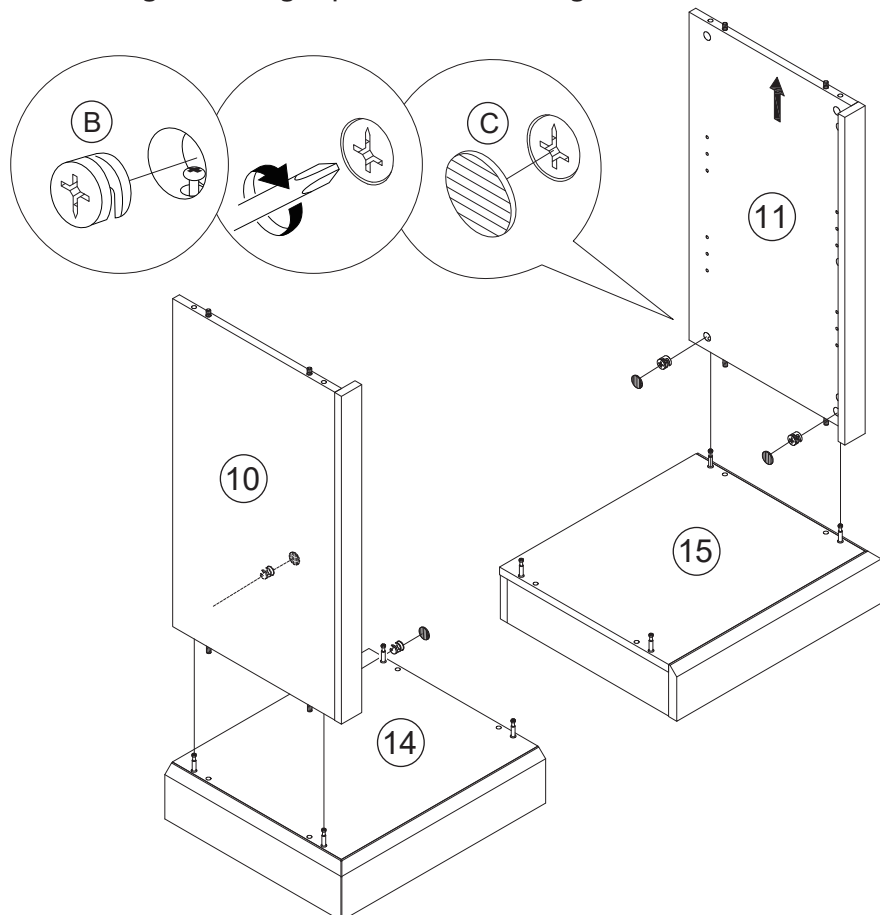
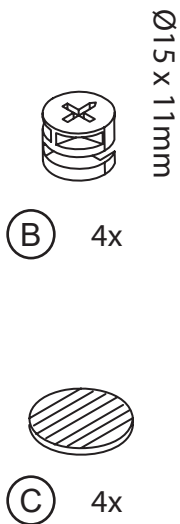
# 12

Assemble the shelf baffles (17) to the left shelf left panel (10) and right shelf right panel (11).



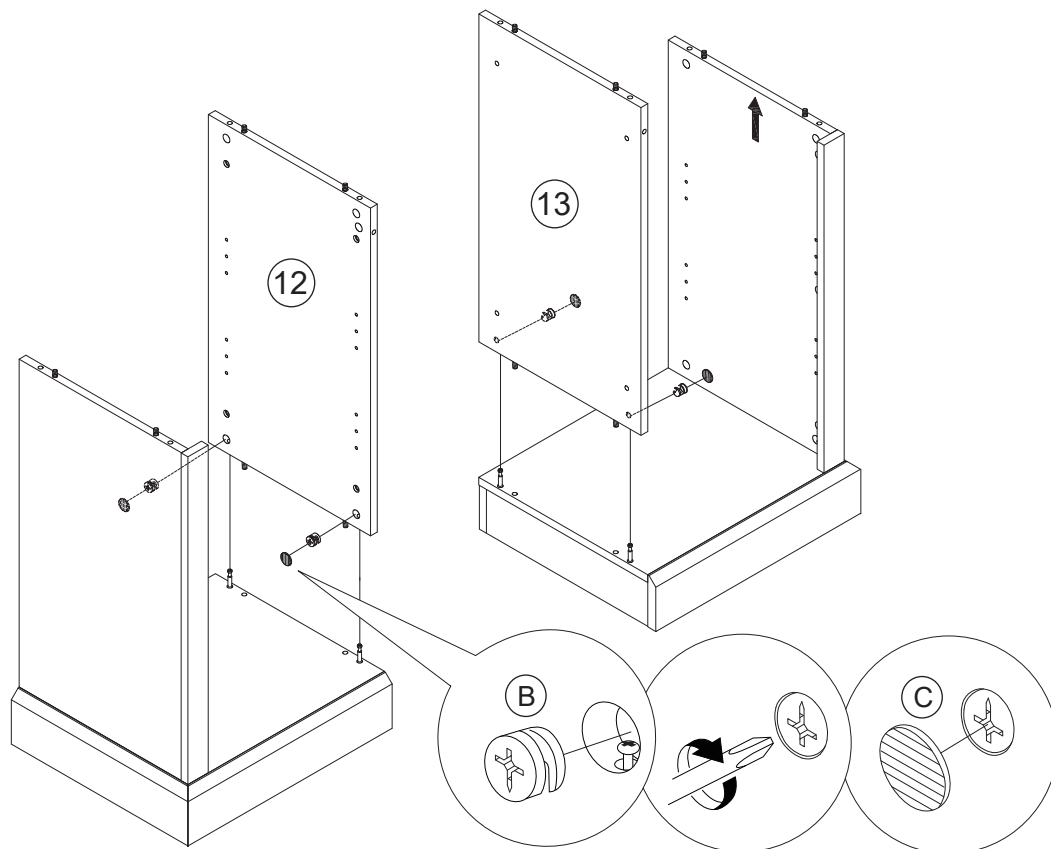
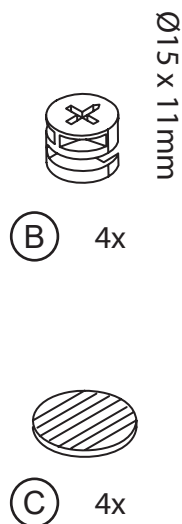
# 13

Assemble the left shelf left panel (10) on the top of the left shelf base (14). Then assemble the right shelf right panel (11) to the right shelf base (15).



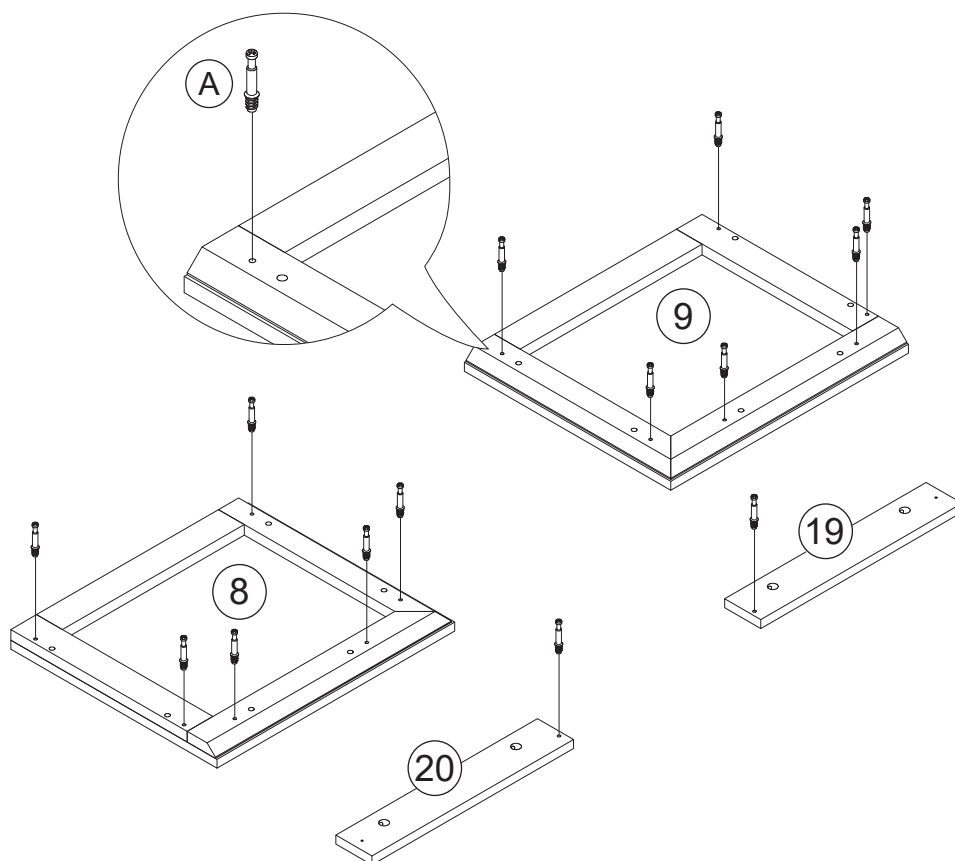
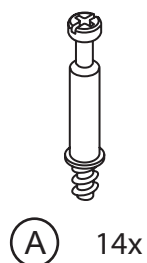
# 14

Assemble the left shelf right panel (12) and right shelf left panel (13) to the assembly.



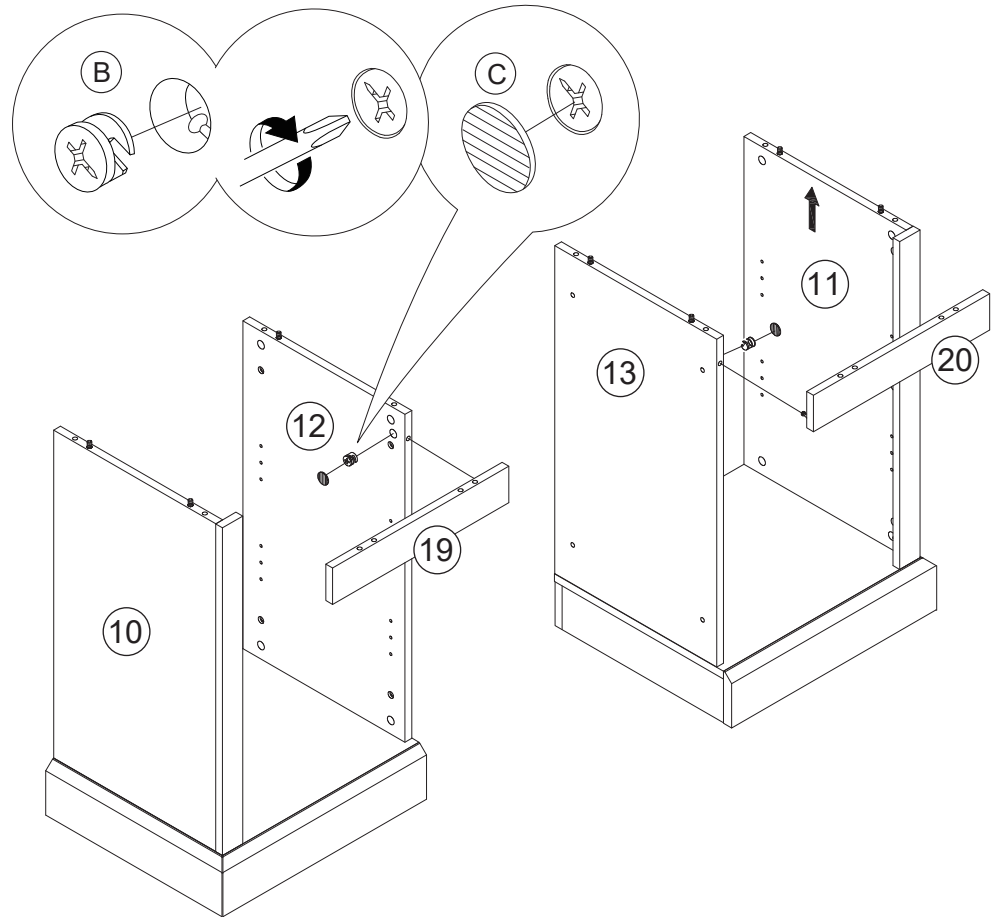
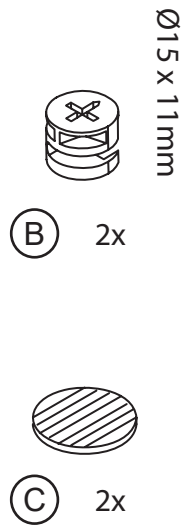
# 15

Attach cam bolts to the underside of the left and right shelf top panels (8,9). Then attach cam bolts to the left and right shelf crossbars (19,20).



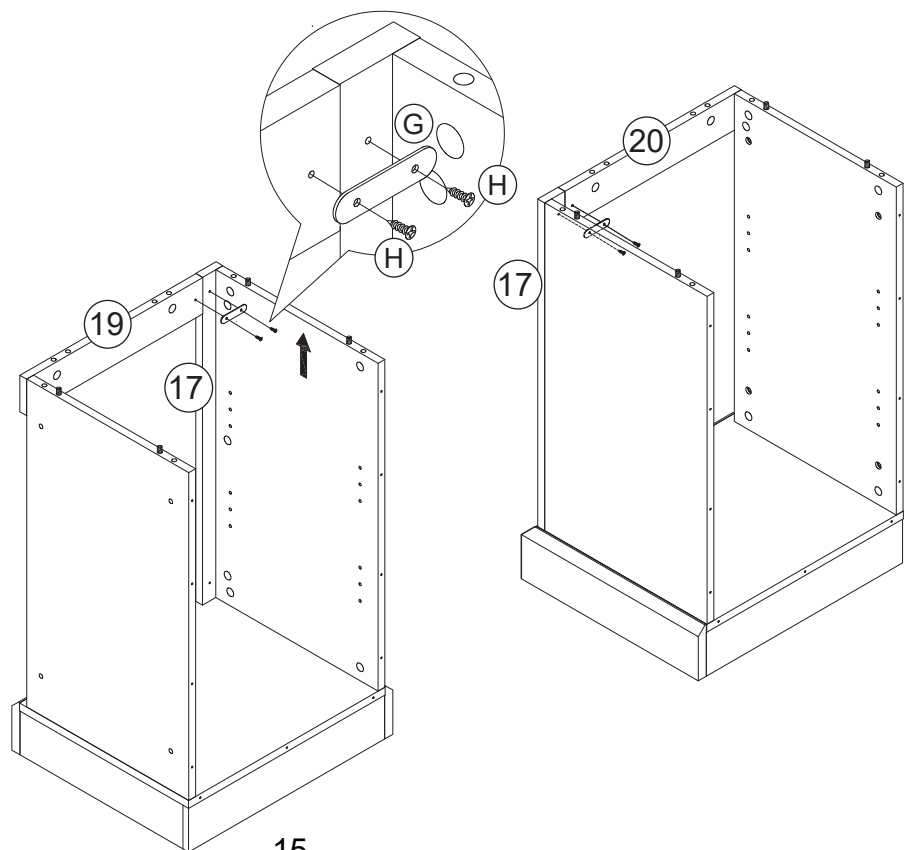
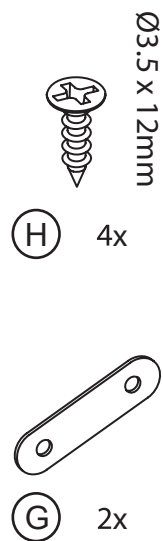
# 16

Assemble the left shelf crossbar (19) to the left shelf right panel (12). Then assemble the right shelf crossbar (20) to the right shelf left panel (13).


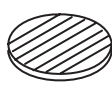



# 17

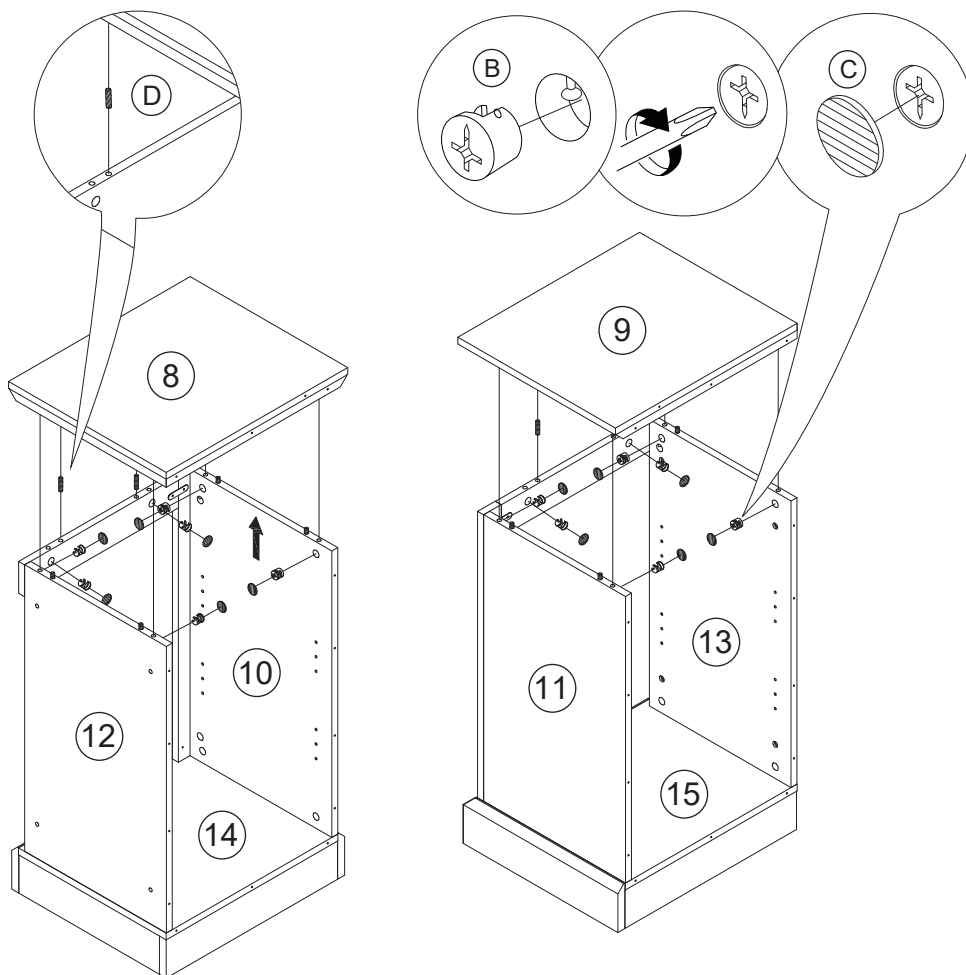
Attach connection plate between the shelf baffle (17) and left shelf crossbar (19). Then attach connection plate between the shelf baffle (17) and right shelf crossbar (20).




# 18

-  Ø15 x 11mm
- (B)** 12x
- 
- (C)** 12x
-  Ø8 x 30mm
- (D)** 4x

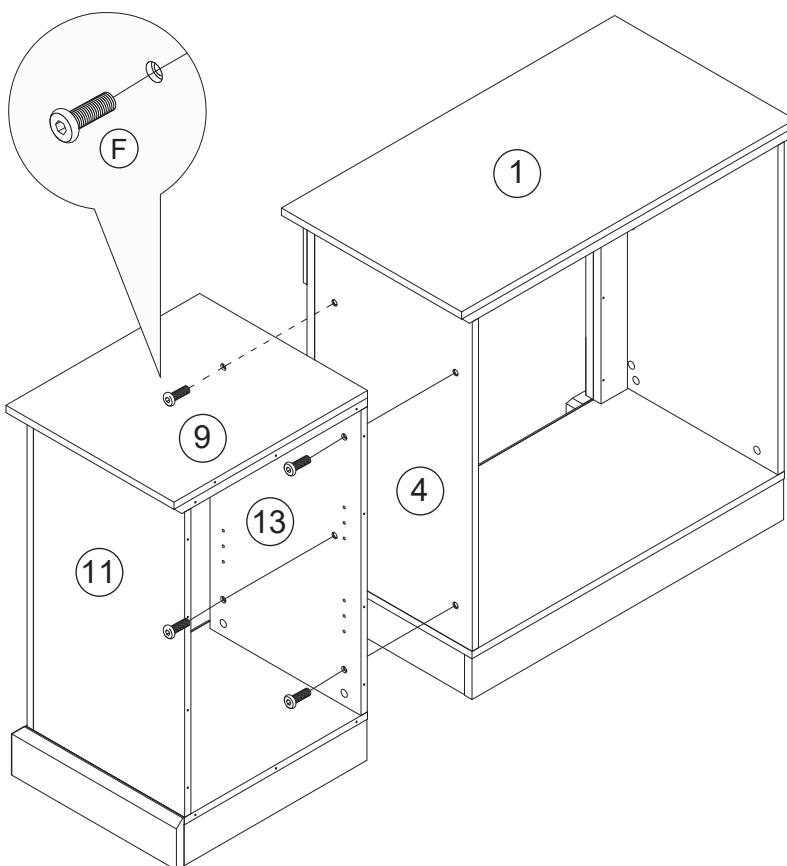
Assemble the left and right shelf top panels (8,9) to the assembly.



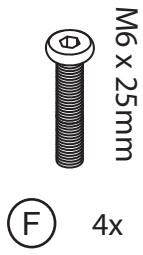
# 19

-  M6 x 25mm
- (F)** 4x

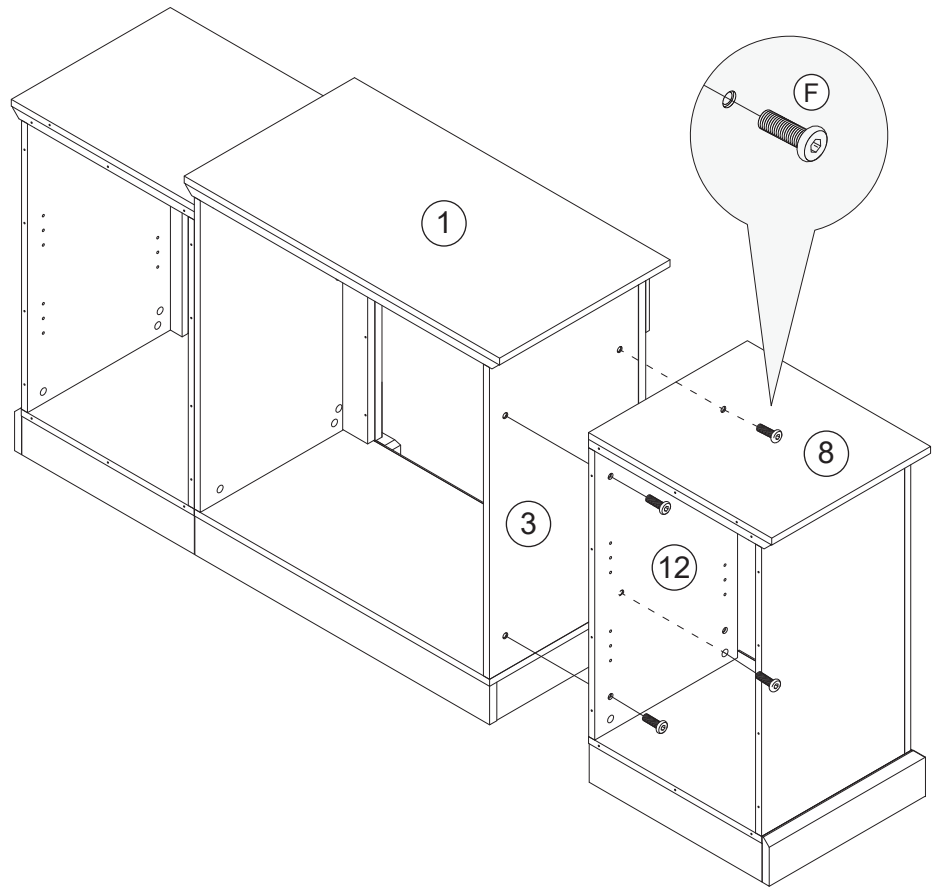
Assemble the left cabinet to the left of the fire mantel.



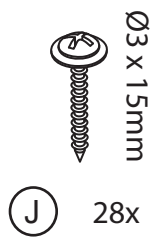
# 20



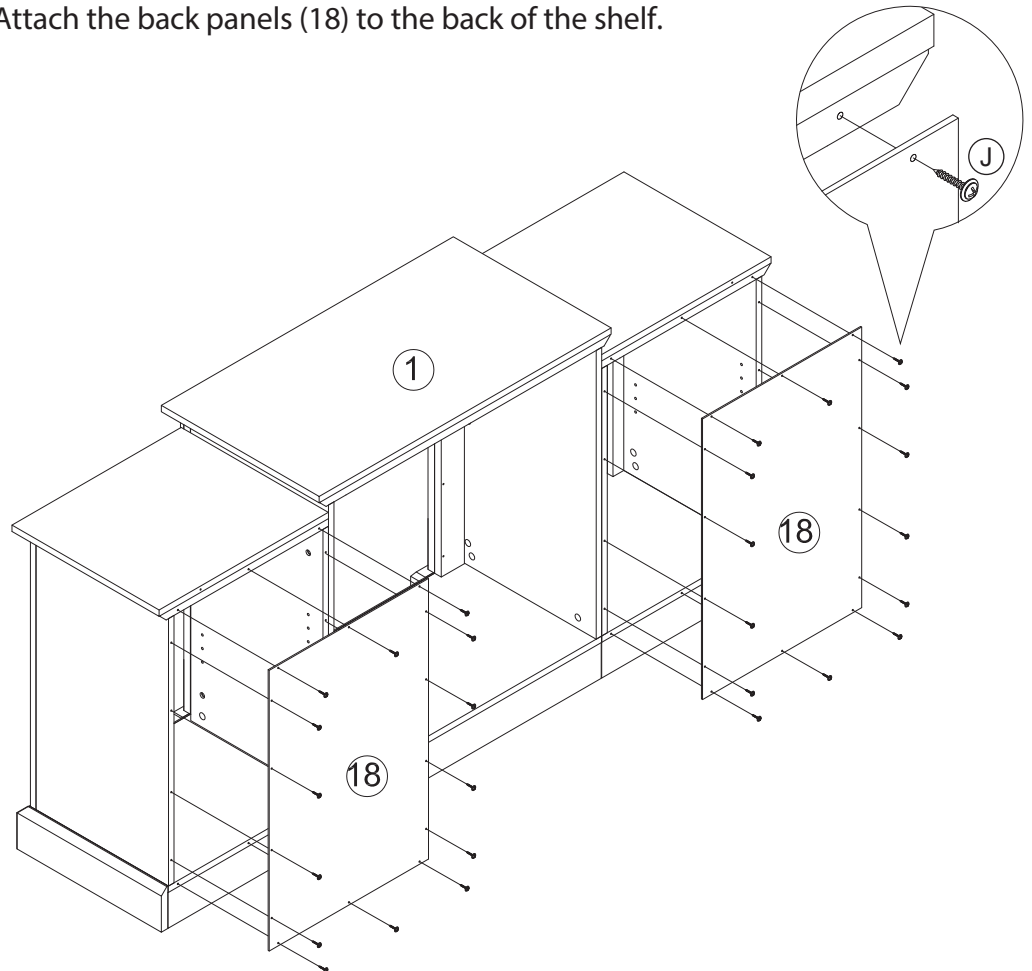
Assemble the right cabinet to the right of the fire mantel.



# 21

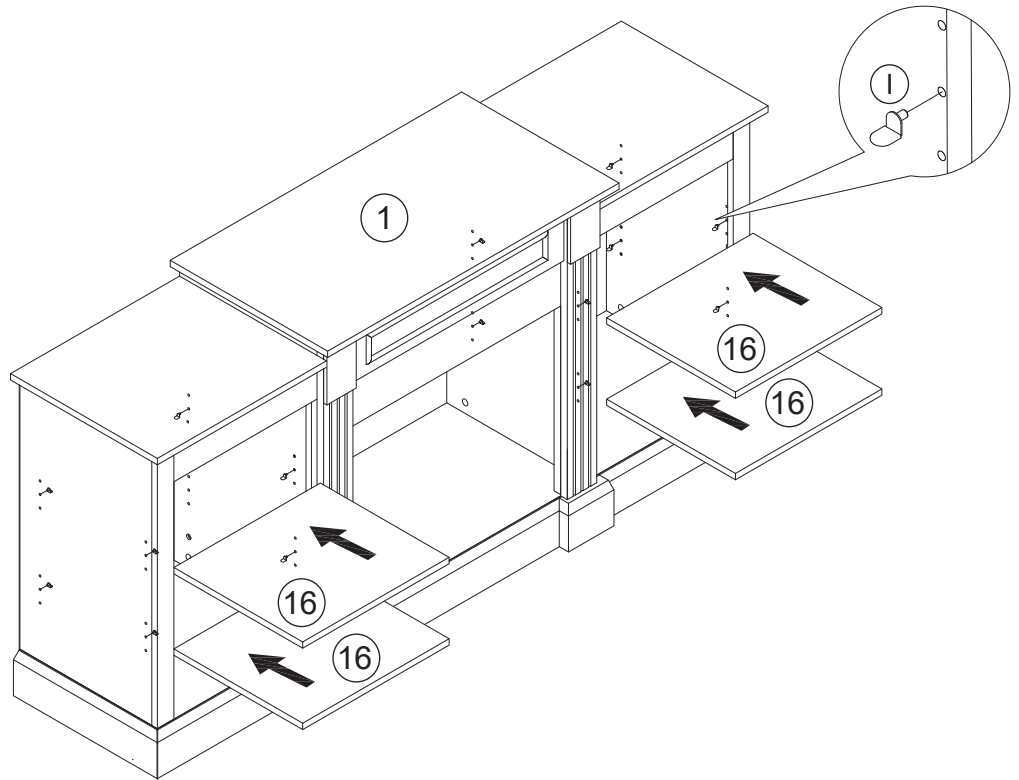
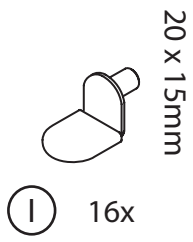


Attach the back panels (18) to the back of the shelf.



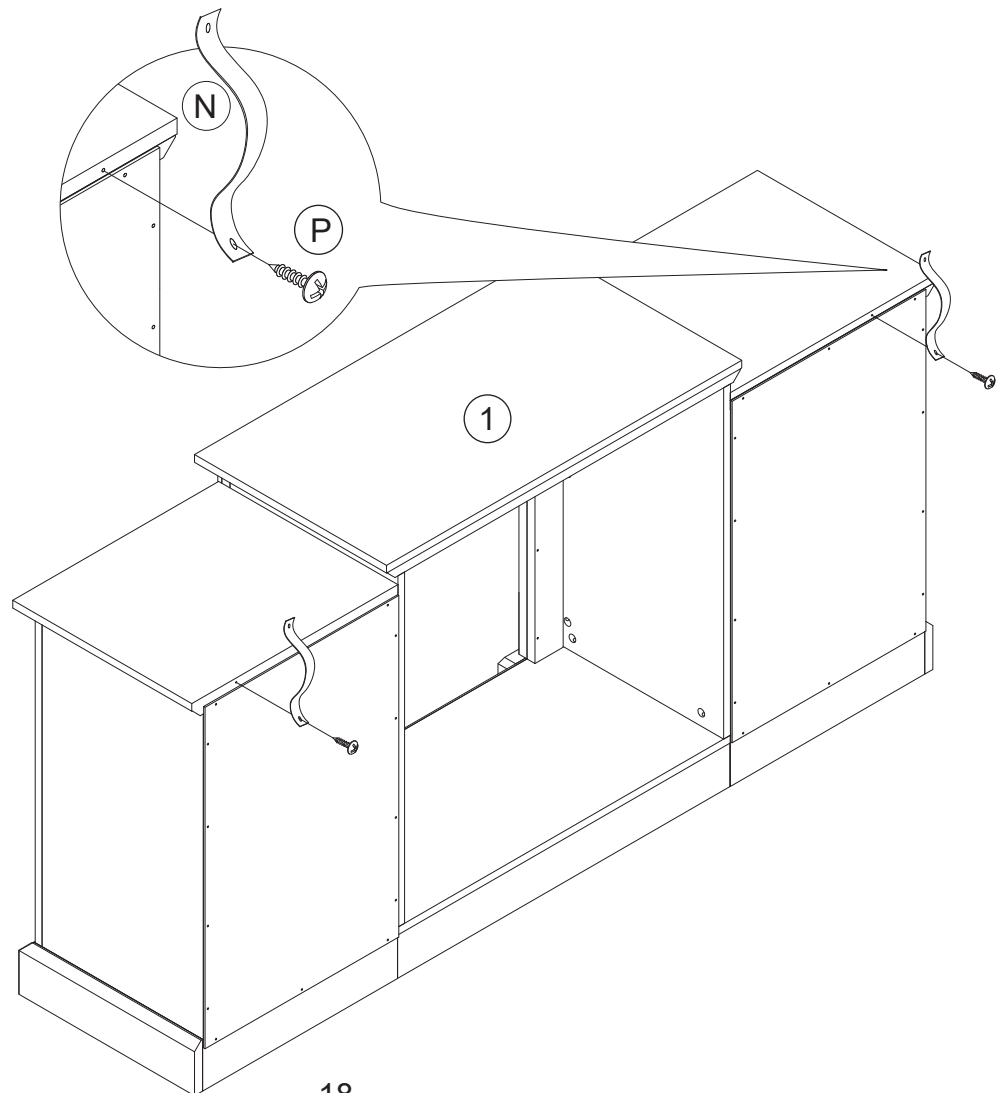
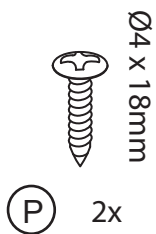
# 22

Insert shelf pegs into the shelf and put on the storage shelf panels (16).



# 23

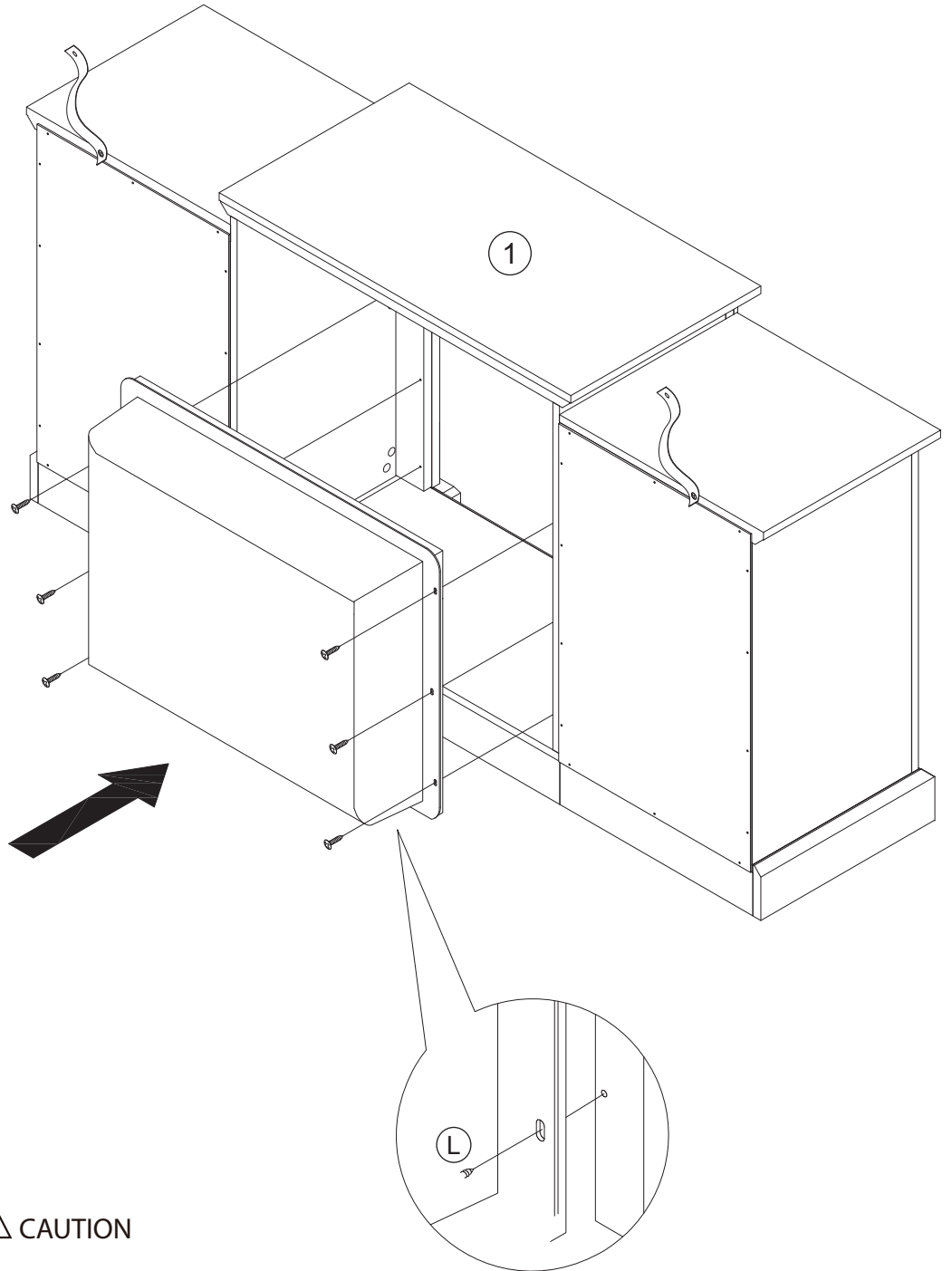
Attach anti-tipping straps (N) to the back of the shelves using screws (P).



# 24



Install fireplace into the mantel.



## ⚠ CAUTION

The heater has a glass front panel. Careful when handling glass to prevent injury or damage.

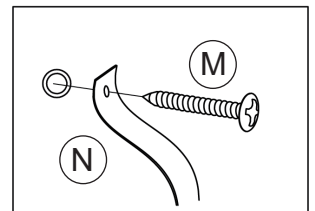
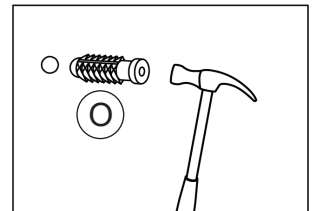
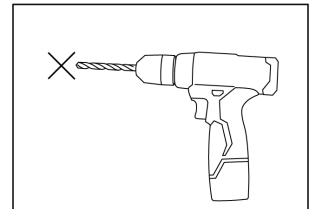
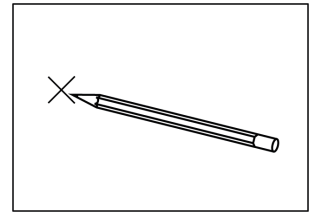
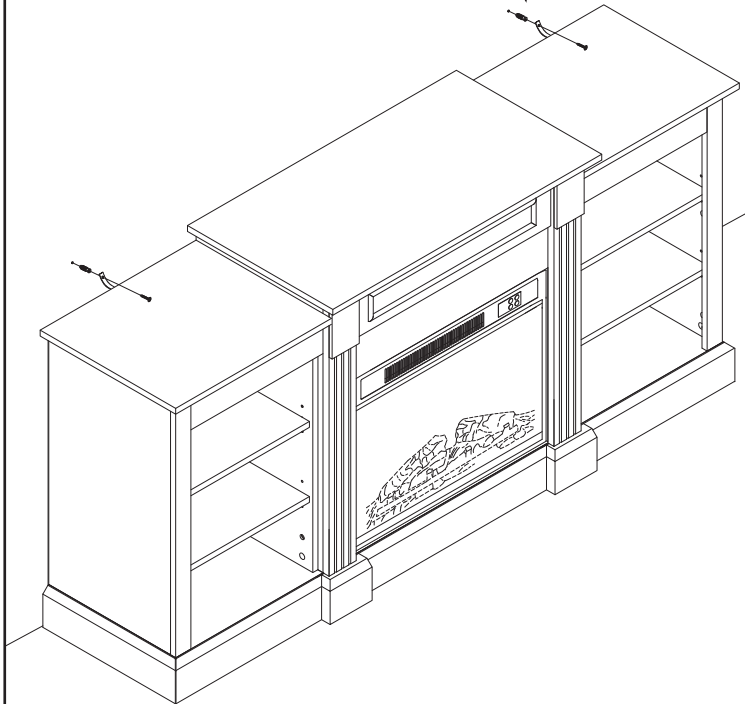
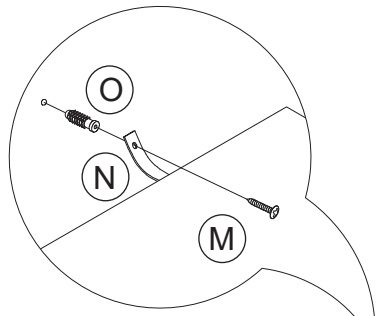
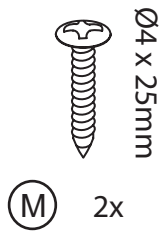
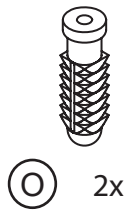
Set the unit from the back of the fireplace mantel and center it in the opening. Check the alignment and attach the unit to the mantel by inserting screws through the drilled holes on the mantel.

For the exact instruction, please refer to the user's manual provided with the fireplace.

NOTE: Do not attempt to install the unit from the front of the mantel. It will not fit.

# 25

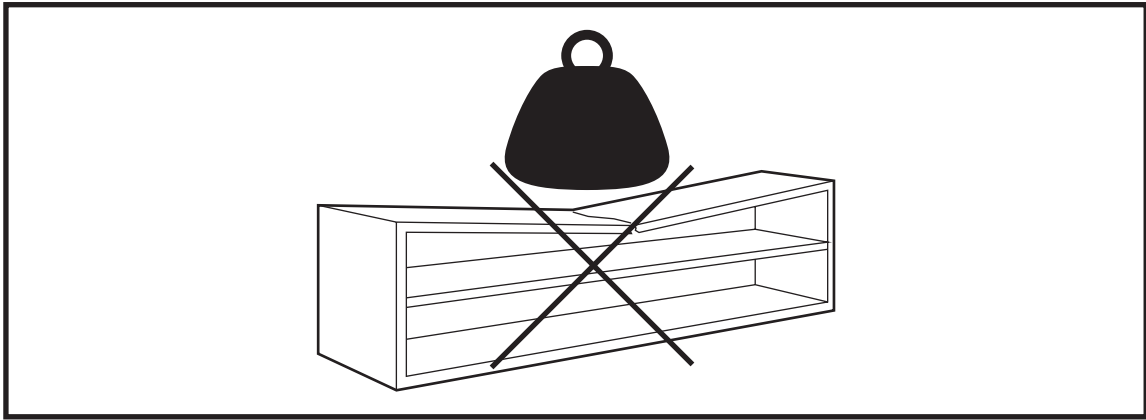
Affix the stand to a wall.



Furniture must permanently fixed to the wall stud with included anti-tipping device to prevent the furniture from tipping over.

- Mark the drill position on the wall with a pencil.
- Drill a small hole on the marked position.
- Insert a wall anchor into the drilled hole.
- Fixed the anti-tipping strap to the wall with provided screws.

## YOU'RE FINISHED!

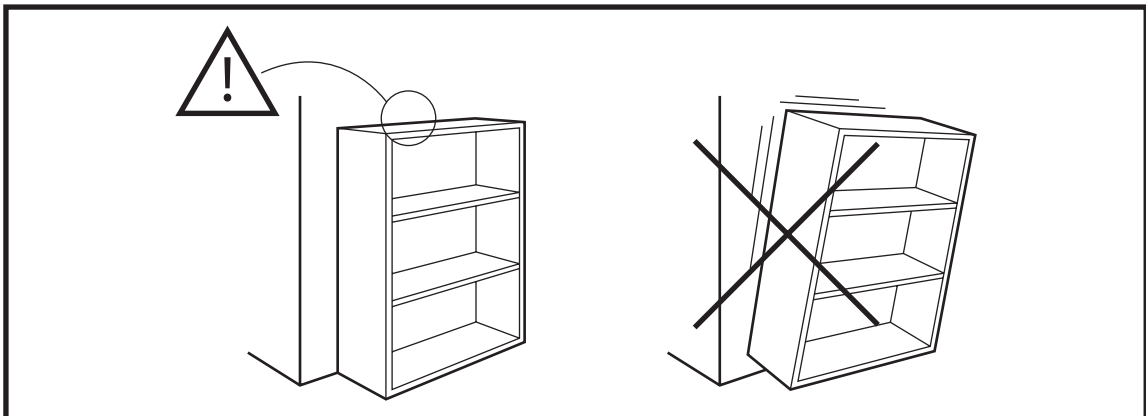


## Warning

Only place items on top of the product if they meet the recommended size and weight limits.

Climbing on, stepping on, or placing overweighted objects on the product may cause property damage and/or injuries.

Items placed onto this product must be resting on a support surface without hanging over the edges.



## Warning

Serious or fatal crushing injuries may occur if the furniture tip-over. Furniture must permanently affixed to the wall with included anti-tipping device in order to prevent the furniture from tipping over.

Different wall materials requires different types of wall anchors or screws. Use a suitable wall anchors or screws for your specific wall in order to secure the stability and load bearing capacity of the furniture. If you are uncertain about which type of device to use, please contact us or your local hardware store.

## FURNITURE CARE AND MAINTENANCE

### Medium - Density Fiberboard

Thank you for your purchase. We want your item to last as long as possible. To ensure the product gives you years of longevity, please follow the recommendations in this care and maintenance guide.



#### MAINTENANCE

- Tighten all bolts and screws again within the first 2 weeks of assembly.
- Check the tightness of all bolts every 2 months and tighten them if necessary.



#### CLEANING

- Clean the surface of the MDF (medium - density fiberboard) with a lightly dampened cloth.
- A small amount of mild soap can be used if necessary.
- Dry the surface immediately after cleaning.

⚠ DO NOT use bleach or alcohol to clean the surface.

⚠ DO NOT apply wood treatment on parts made with MDF.

MDF will swell and distort when exposed to water damage. Make sure to dry the furniture immediately after cleaning.

### ⚠ WARNING

The manufacturer and seller are not responsible for any and all liability relating to personal injury, property damage or losses, whether direct, indirect, or incidental, resulting from the incorrect attachment, improper use, inadequate maintenance, unapproved modification or neglect of this product.