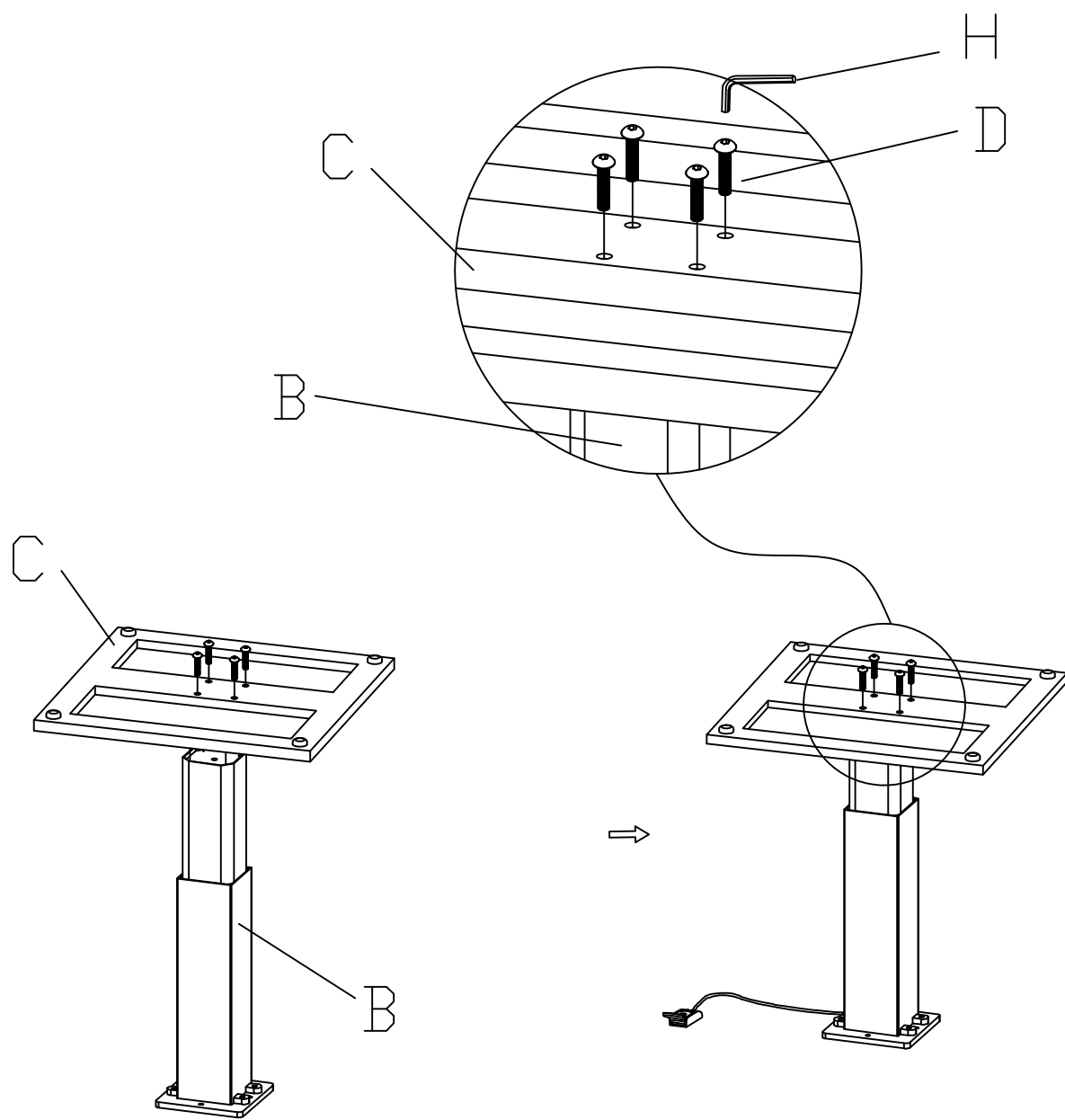
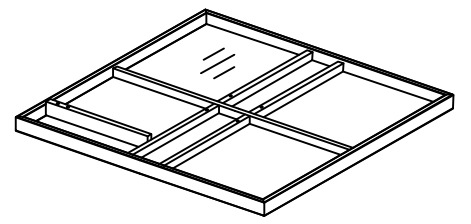


1.

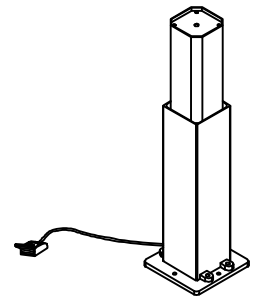


A



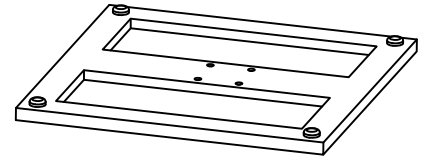
1 PC

B



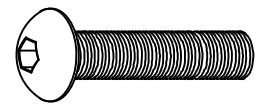
1 PC

C



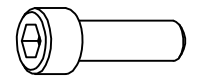
1 PC

D



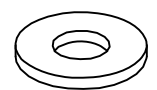
M8*50
4 PCS

E



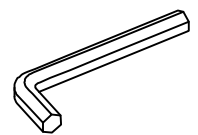
M6*20
6 PCS

F



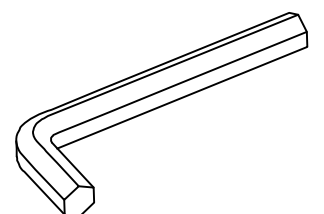
4 PCS

G



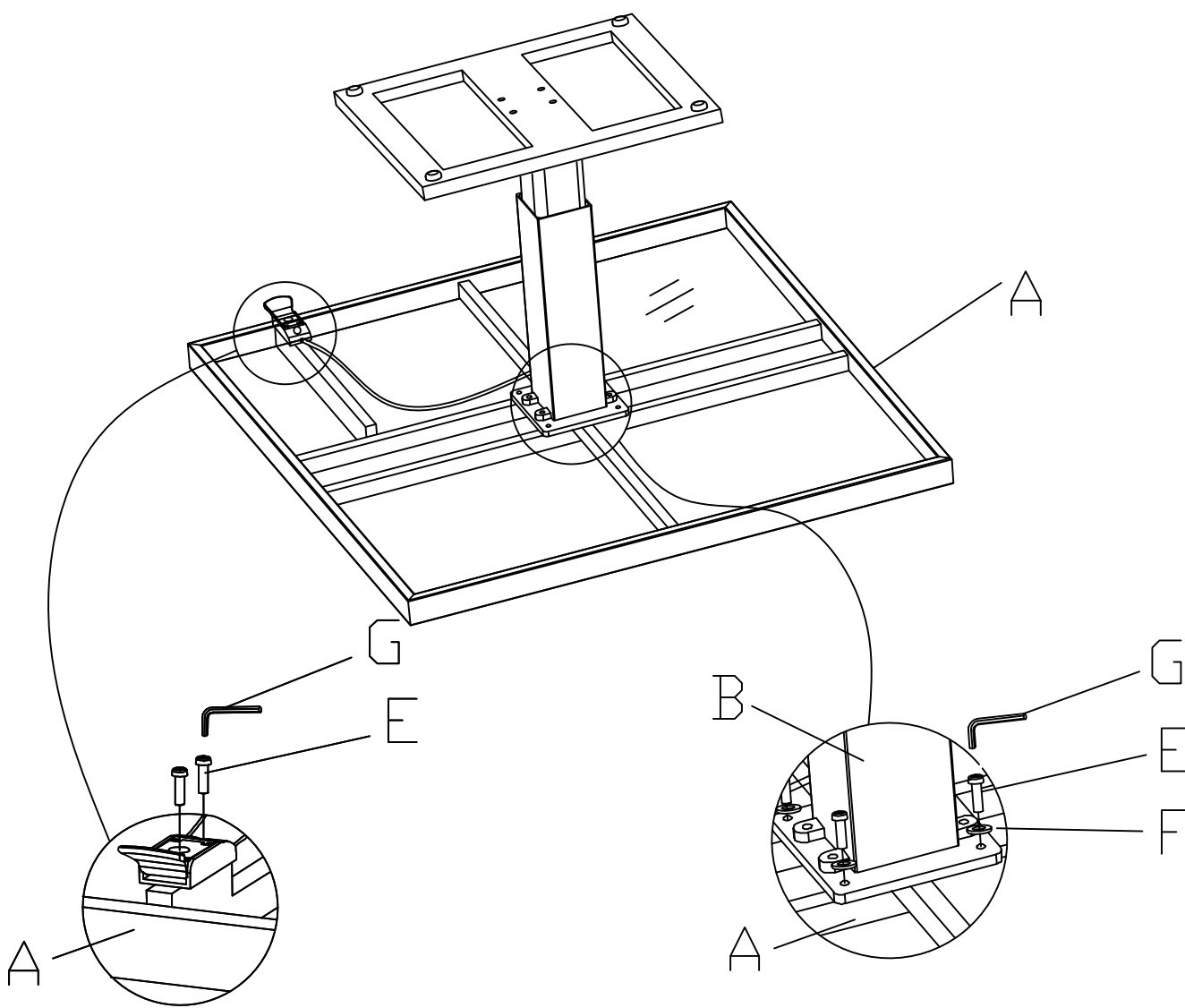
1 PC

H

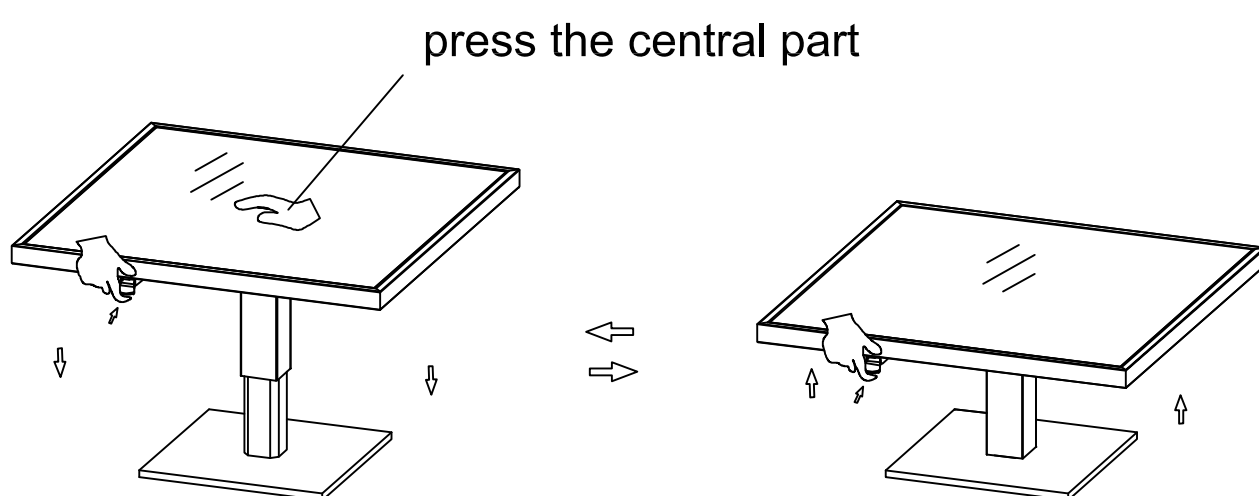


1 PC

2.



3.



press the central part