






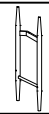







ASSEMBLY INSTRUCTIONS

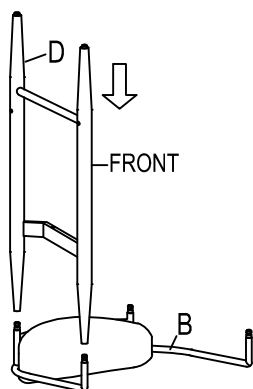
HARDWARE LIST

NO.	SKETCH	DESCRIPTION	QTY
1		Bolt(5/32"x5/32")	4 PCS
2		Bolt(1/4"x2-1/8")	8 PCS
3		Bolt(1/4"x5/8")	8 PCS
4		Spring washer(1/4")	12 PCS
5		Washer(1/4")	12 PCS
6		Allen wrench(4mm)	1 PC
7		Allen wrench(2mm)	1 PC

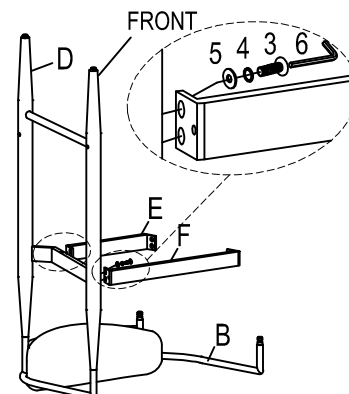
PARTS LIST

NO.	SKETCH	DESCRIPTION	QTY
A		Seat	1 PC
B		Backrest	1 PC
C		Left metal leg frame	1 PC
D		Right metal leg frame	1 PC
E		Back upper rail	1 PC
F		Front upper rail	1 PC
G		Back Bottom Rail	1 PC
H		Footrest	1 PC

Step 1

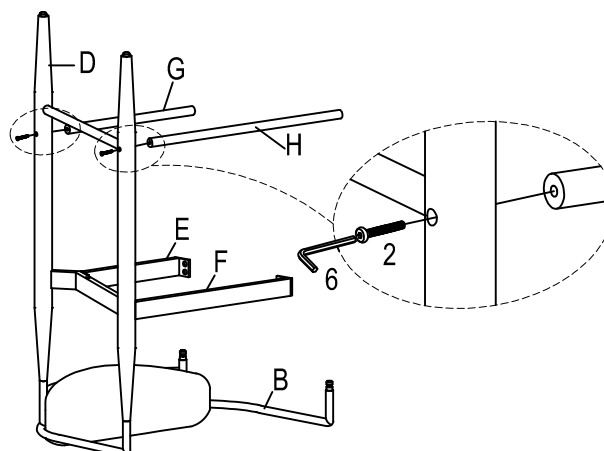


Step 2



Note: Do not fully tighten the bolts at this step.

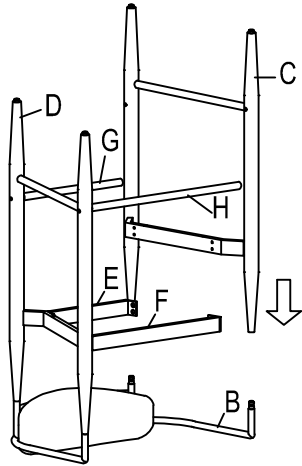
Step 3



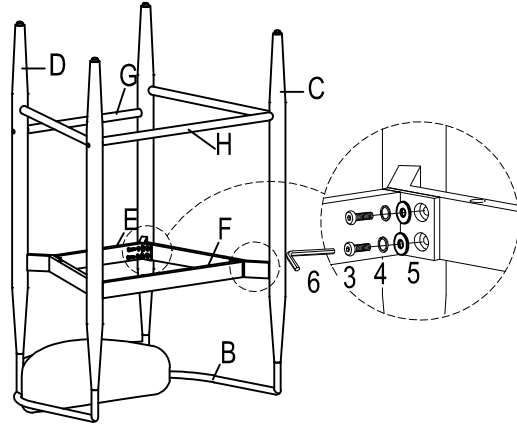
Note: Do not fully tighten the bolts at this step.

ASSEMBLY INSTRUCTIONS

Step 4

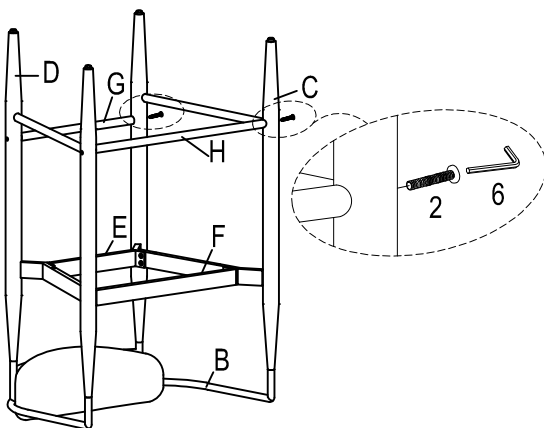


Step 5



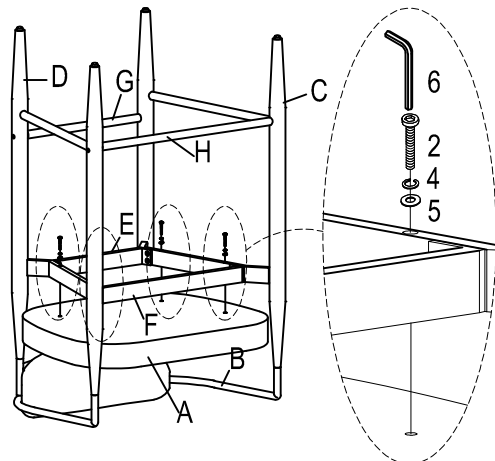
Note: Do not fully tighten the bolts at this step.

Step 6



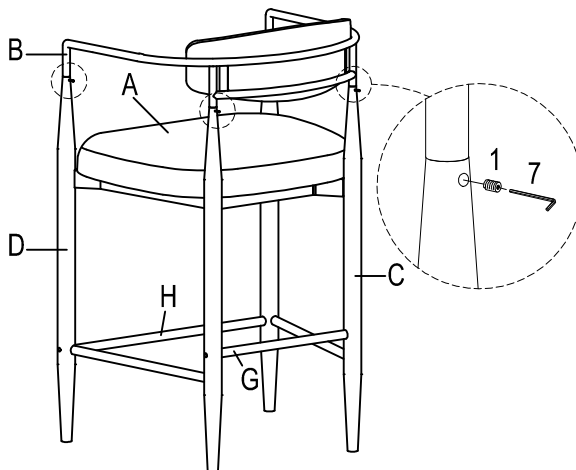
Note: Do not fully tighten the bolts at this step.

Step 7



Note: Do not fully tighten the bolts at this step.

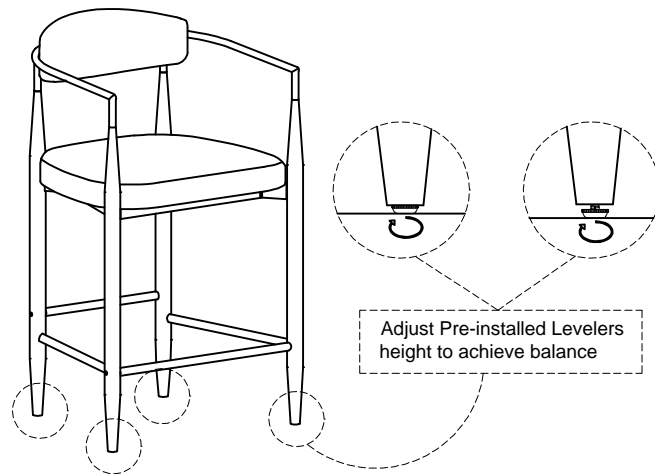
Step 8



Note: Once the assembly is completed, proceed to tighten all bolts sequentially.

ASSEMBLY INSTRUCTIONS

Step 9



Step 10

