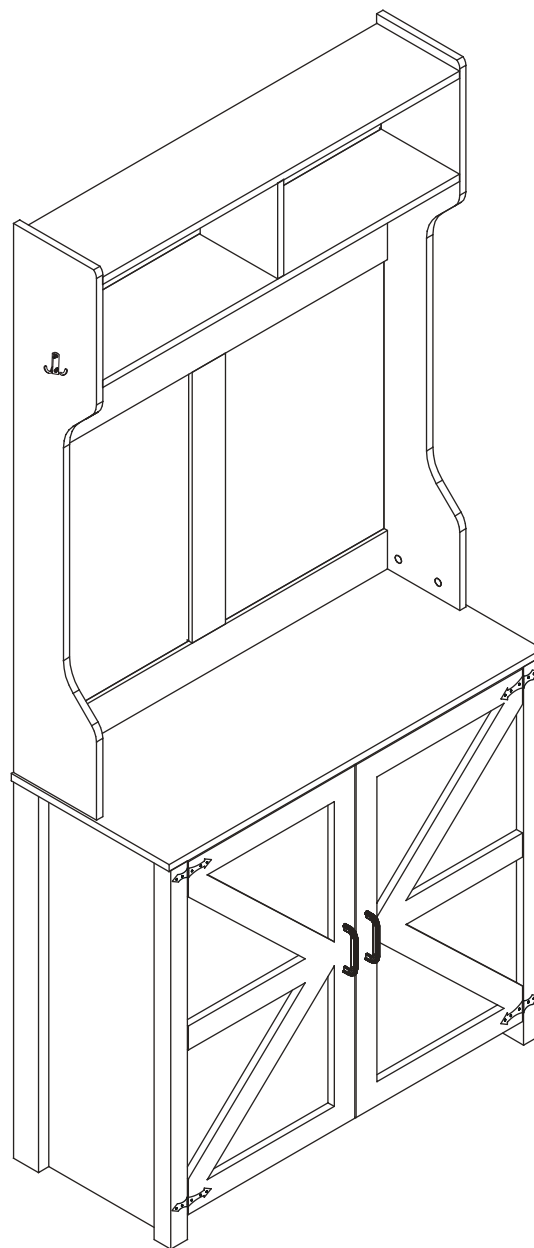


Hall Tree

Assembly Instructions - Please keep for future reference



Dimensions

Width-35.4inch

Depth-15.0inch

Height-76.8inch

Important – Please read these instructions fully before starting assembly



Safety and Care Advice

Important – Please read these instructions fully before starting assembly

- Check you have all the components and tools listed on the following pages.
- Remove all fittings from the plastic bags and separate them into their groups.
- Keep children and animals away from the work area, small parts could choke if swallowed.
- Make sure you have enough space to layout the parts before starting.

- During assembly do not stand or put weight on the product, this could cause damage.
- Assemble the item as close to its final position (in the same room) as possible.
- Assemble on a soft level surface to avoid damaging the unit or your floor.
- Parts of the assembly will be easier with 2 people.



power drill is set on a low torque setting.

- To reduce the likelihood of damaging your product please ensure that your

Care and maintenance

- Only clean using a damp cloth and mild detergent, do not use bleach or abrasive cleaners.
- From time to time check that there are no loose screws on this unit.
- This product should not be discarded with household waste. Take to your local authority waste disposal centre.

Handy Hints

- Assemble all parts and bolts loosely during assembly, only once the product is complete should you fully tighten the bolts
- Regularly check and ensure That all bolts and fittings are tightend properly.

WARNING

In order to help prevent overturning – please follow these instructions

To help prevent product toppling over please follow the below steps:-

- Use the anti tip stap or wall fixing method provided (if applicable)
- Do not allow children to climb or hang on the furniture
- Do not open more than one drawer at a time
- Do not place heavy items in the top drawers
- Do not place heavy items on top of the furniture, unless the furniture has been designed for this purpose

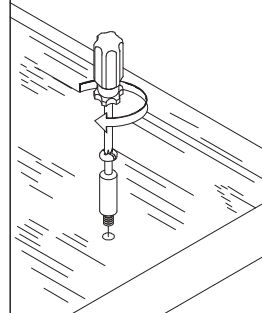
Using Camlocks

Step 1

Connect the male camlock as directed in the assembly instructions using a screwdriver.

1

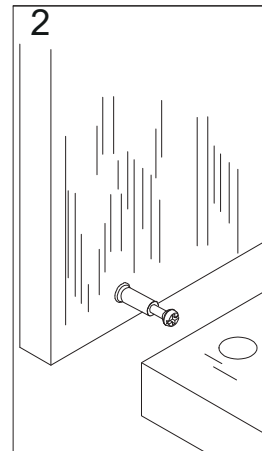
DO NOT OVER TIGHTEN.
NE PAS SERRER EXCESSIVEMENT.



Step 2

Push the male camlock into the entry hole.

2

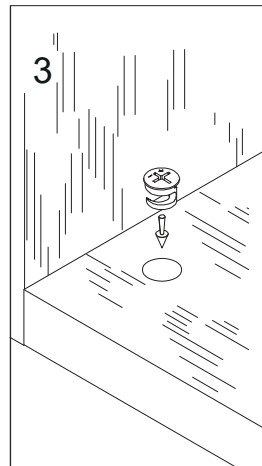


Step 3

Insert the female camlock as shown in the instruction.

Note: ensure that the arrow on the top of the camlock points towards the entry hole for the male camlock.

3



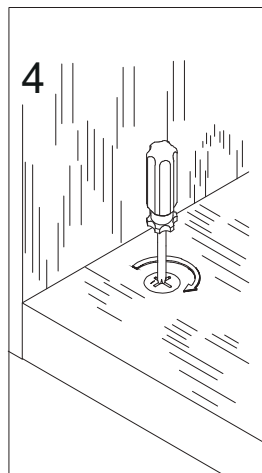
Step 4

Turn the female camlock clockwise with a screwdriver.

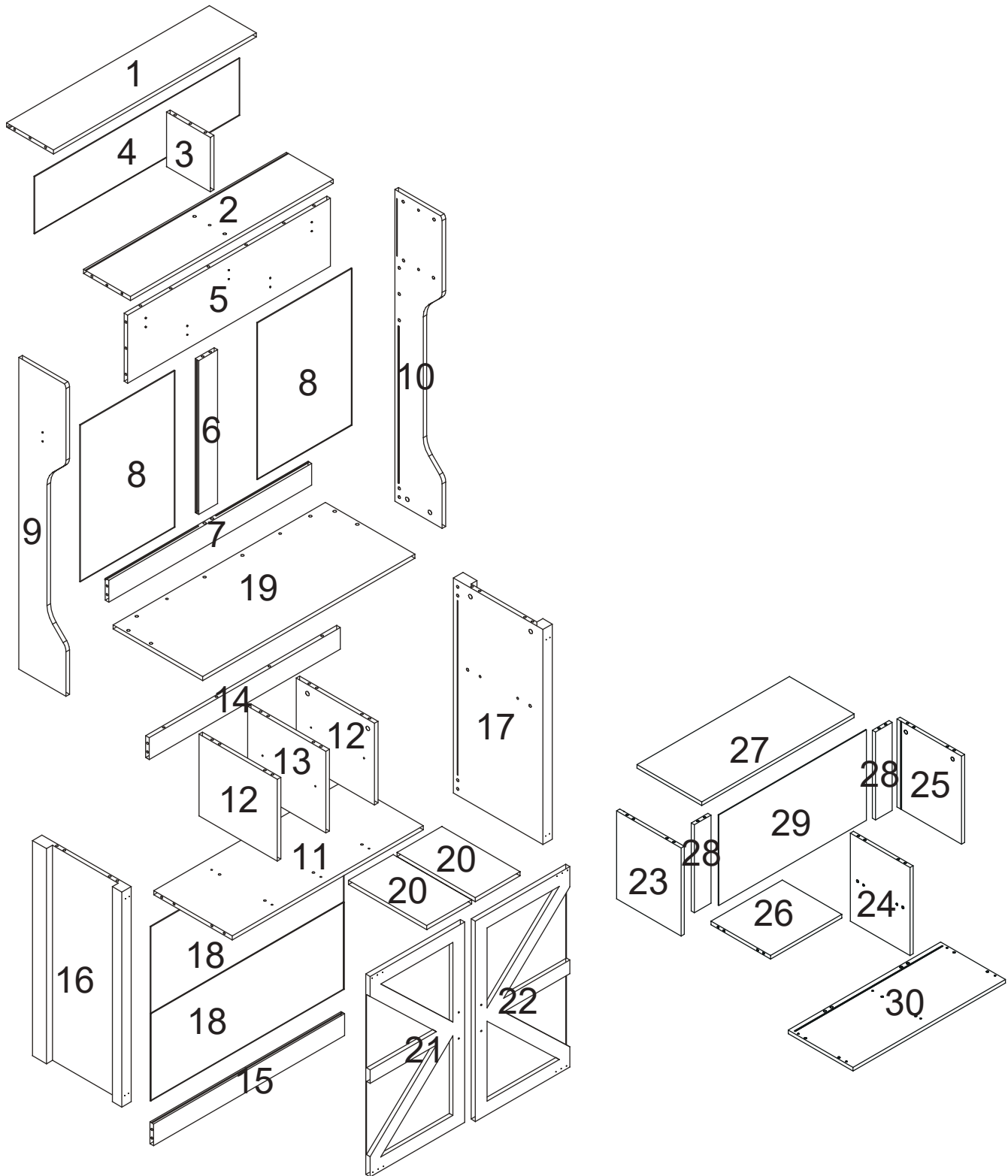
You should feel a click when the camlock is locked in place.

The joint is now secure.

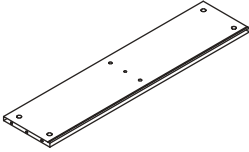
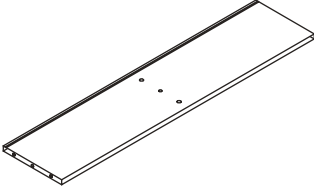
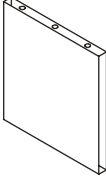
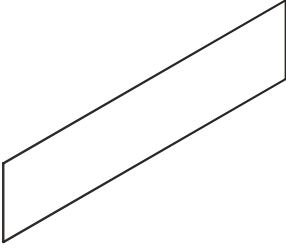
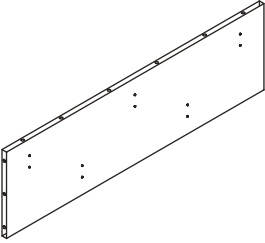

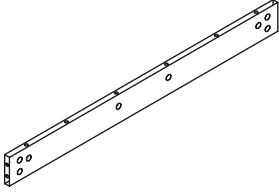
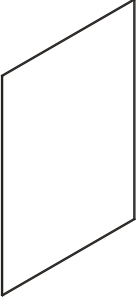


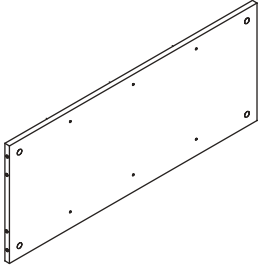
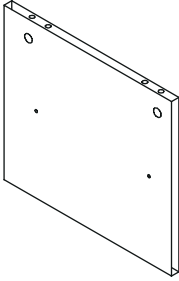
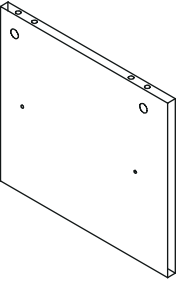
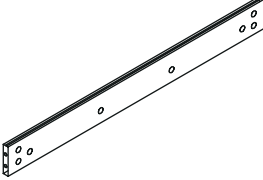
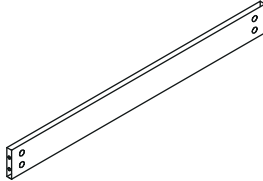
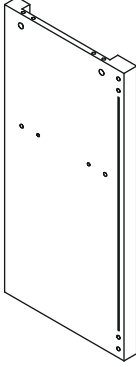
4



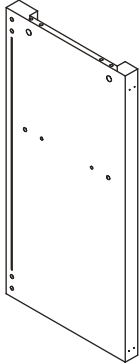
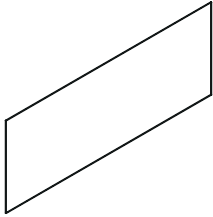
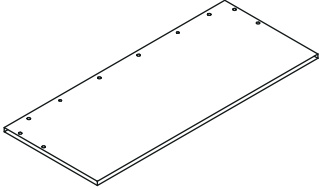
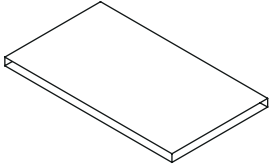
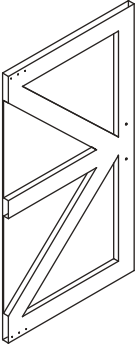
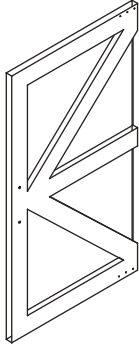
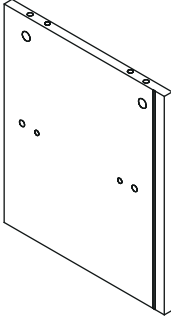
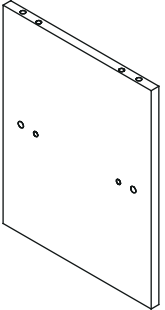
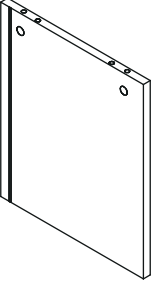
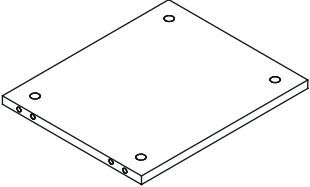
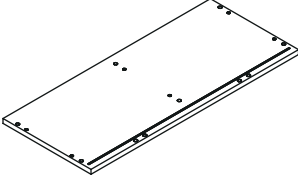

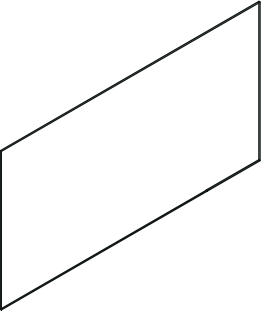
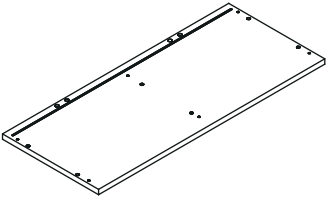
Assembly Instructions



Assembly Instructions

			
① x 1	② x 1	③ x 1	④ x 1
			
⑤ x 1	⑥ x 1	⑦ x 1	⑧ x 2
			
⑨ x 1	⑩ x 1	⑪ x 1	⑫ x 2
			
⑬ x 1	⑭ x 1	⑮ x 1	⑯ x 1

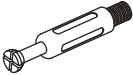

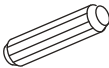


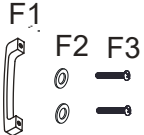


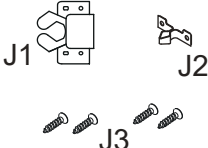




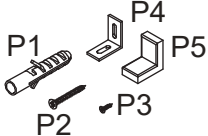


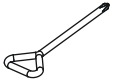
Assembly Instructions

			
①7 x 1	①8 x 2	①9 x 1	②0 x 2
			
②1 x 1	②2 x 1	②3 x 1	②4 x 1
			
②5 x 1	②6 x 1	②7 x 1	②8 x 2
			
②9 x 1	③0 x 1		

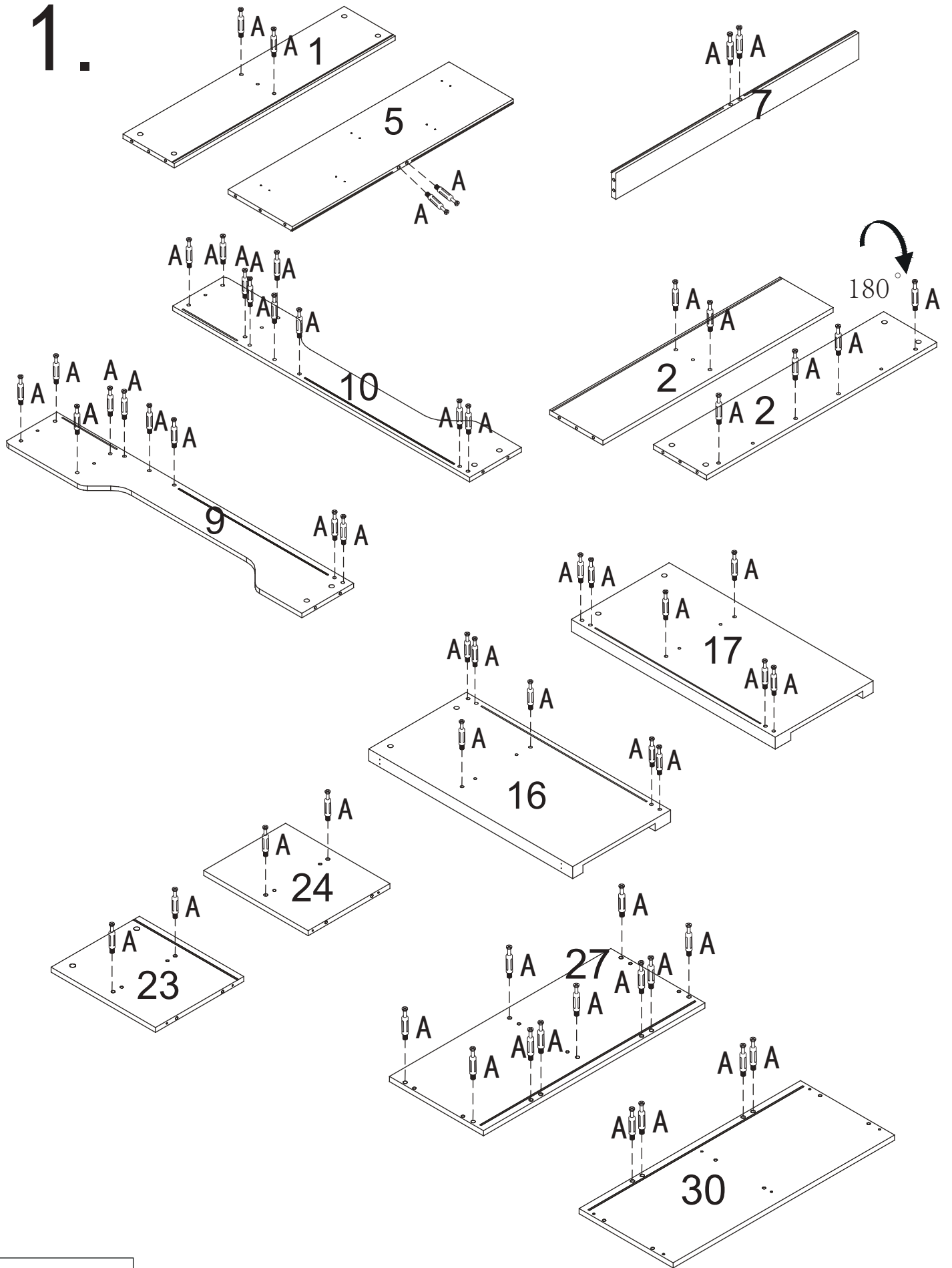
Components-Fittings

Please check you have all the panels listed below

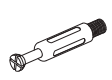
Note: The quantities below are the correct amount to complete the assembly. In some cases more fittings may be supplied than are required.

<p>(A)</p>  <p>Cam Bolt x 82+3</p>	<p>(B)</p>  <p>Cam Lock x 82+3</p>	<p>(C)</p>  <p>8*30mm Dowel x 46+3</p>	<p>(D)</p>  <p>3.5*14mm Screw x 24+2</p>
<p>(E)</p>  <p>5*40mm Screw x 12+2</p>	<p>(F)</p>  <p>Hole Pitch Handle x 2 set</p>	<p>(G)</p>  <p>Bulkhead Pins x 8+1</p>	<p>(H)</p>  <p>Backboard buckle x 28+2</p>
<p>(J)</p>  <p>Door clamshell x 2</p>	<p>(K)</p>  <p>Clothes-hook x 7</p>	<p>(L)</p>  <p>universal wheel x 6</p>	<p>(M)</p>  <p>Perfect Fit x 22+2</p>
<p>(N)</p>  <p>felt x 9+2</p>	<p>(P)</p>  <p>Anti dumping x 2 set</p>	<p>(Q)</p>  <p>hinge x 4</p>	<p>(R)</p>  <p>3.5*14mm Screw x 34+2</p>
<p>(S)</p>  <p>Screwdriver x 1</p>			

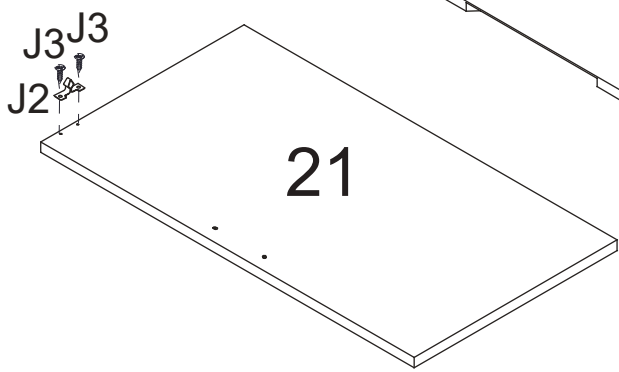
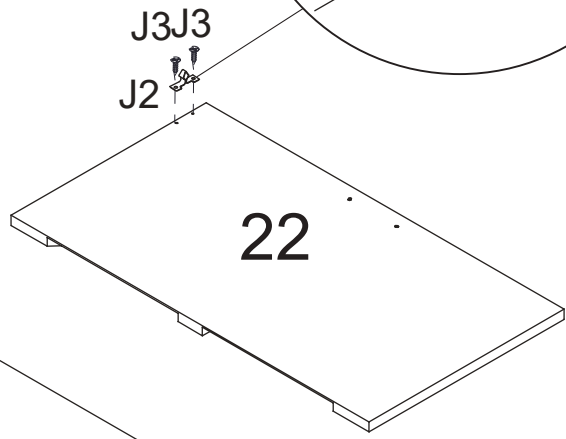
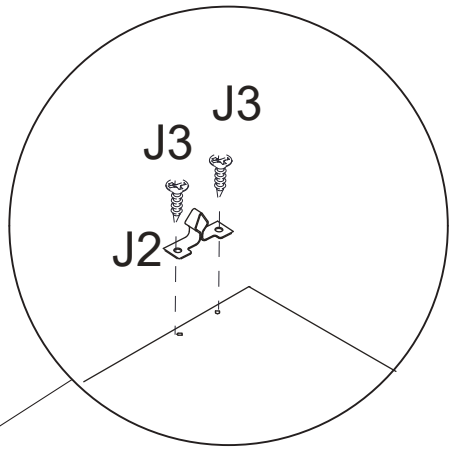
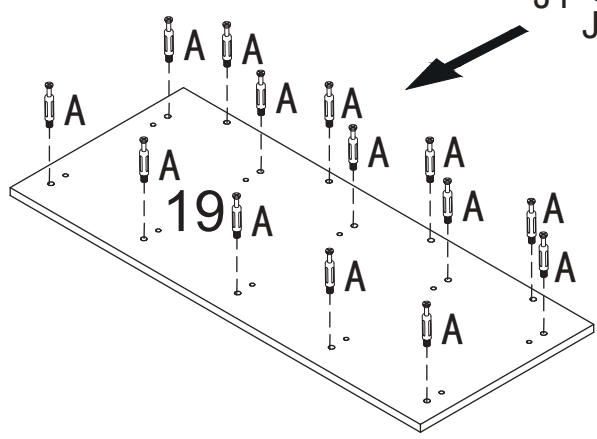
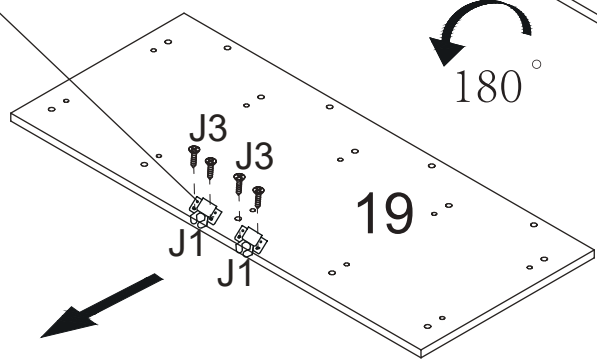
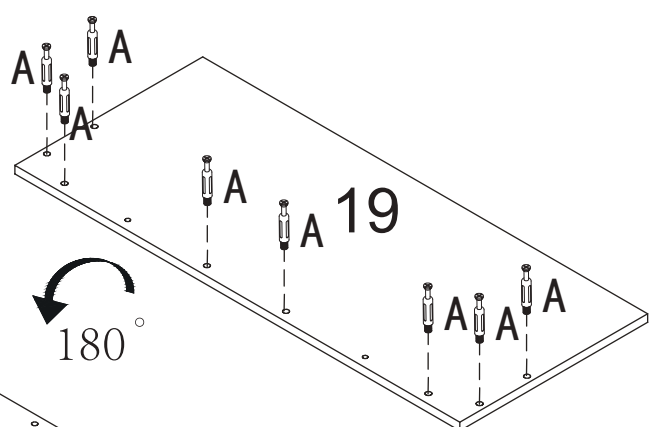
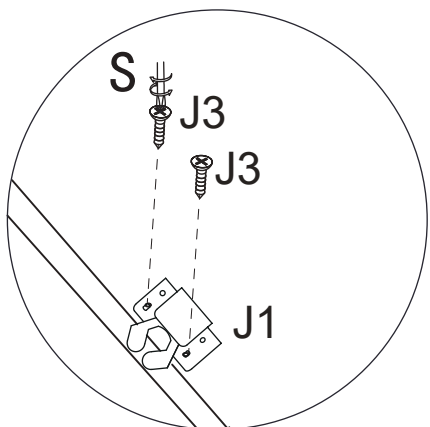
1.

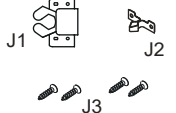
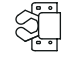


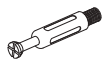


A*60

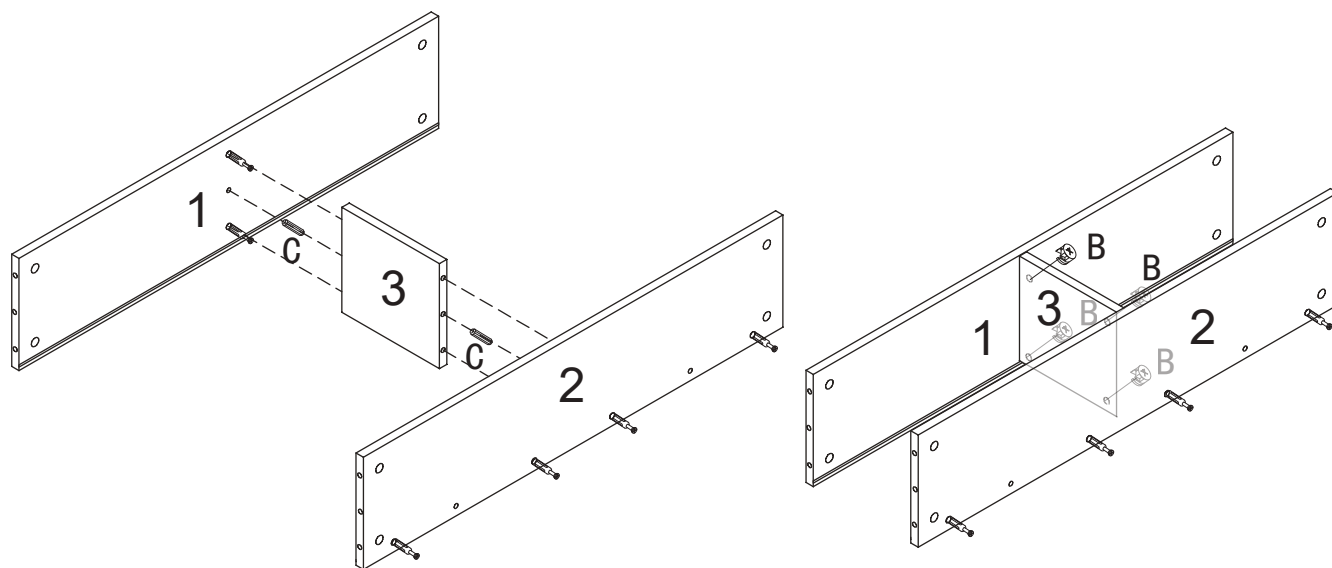


2.



- | | | | | |
|--|--|--|--|--|
| J*2
 | J1*2
 | J2*2
 | J3*2
 | A*22
 |
|--|--|--|--|--|

3.



B*4

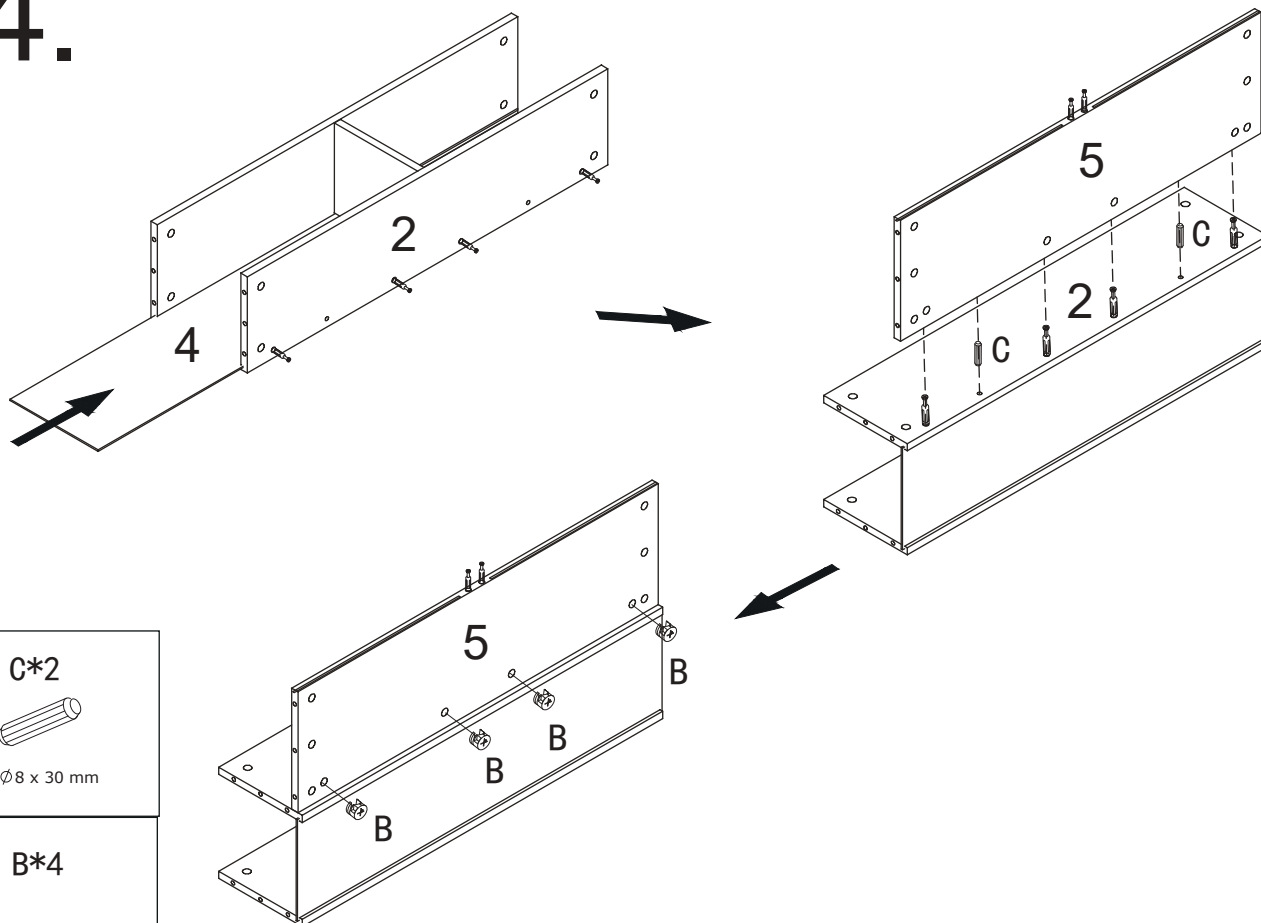


C*2



Ø8 x 30 mm

4.



C*2

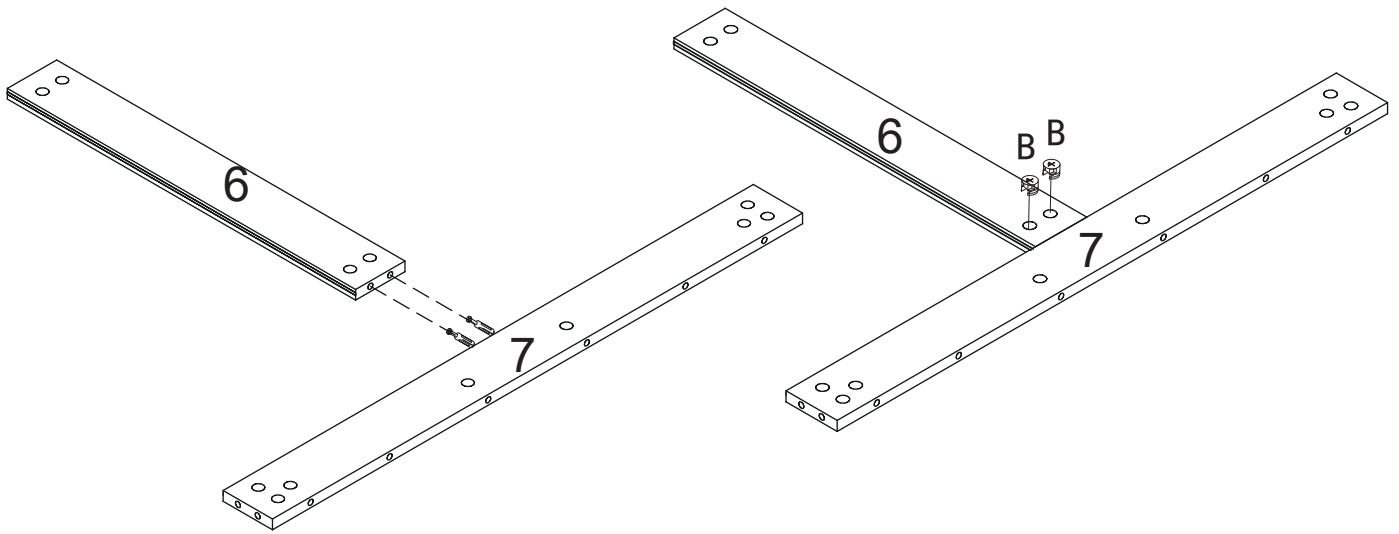


Ø8 x 30 mm

B*4



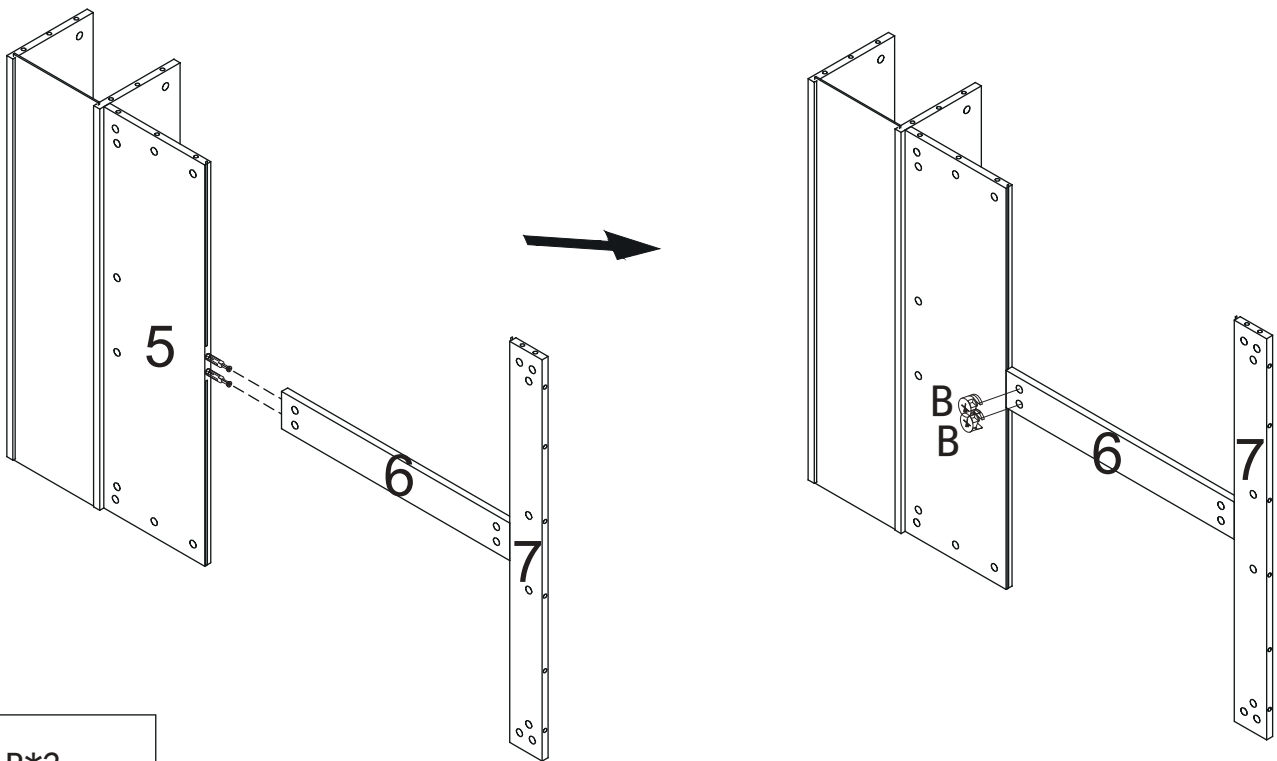
5.



B*2



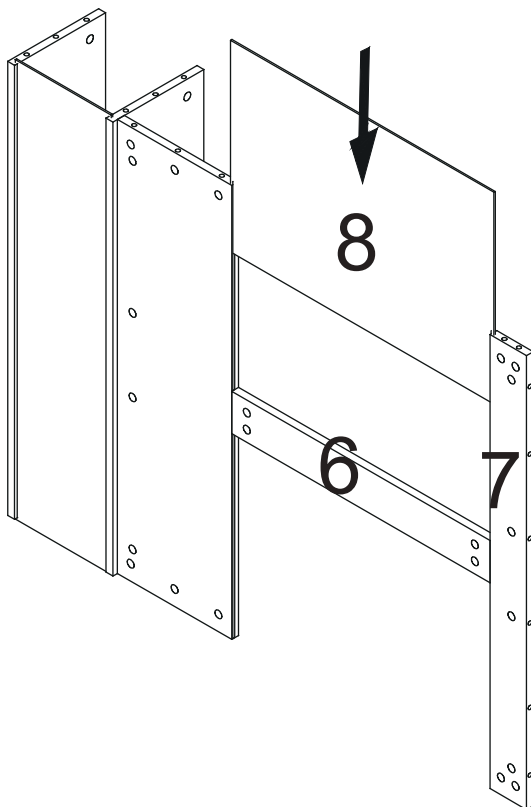
6.



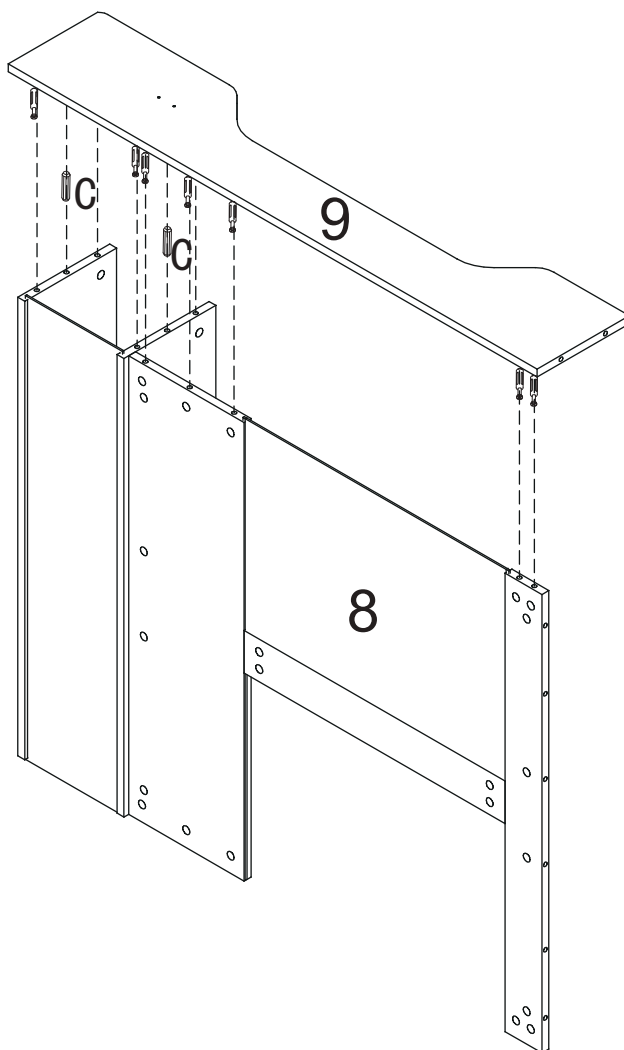
B*2



7.



8.

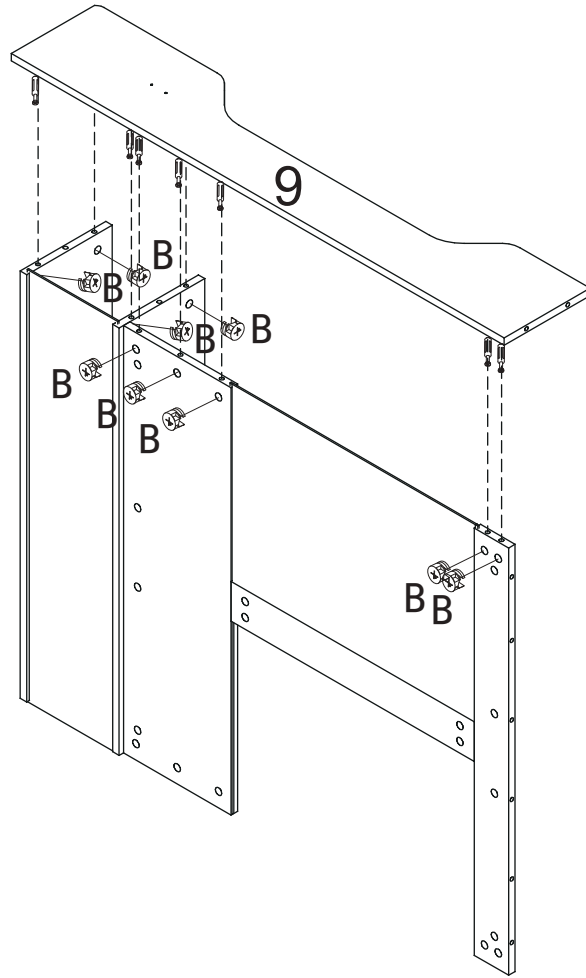


C*2



∅8 x 30 mm

9.

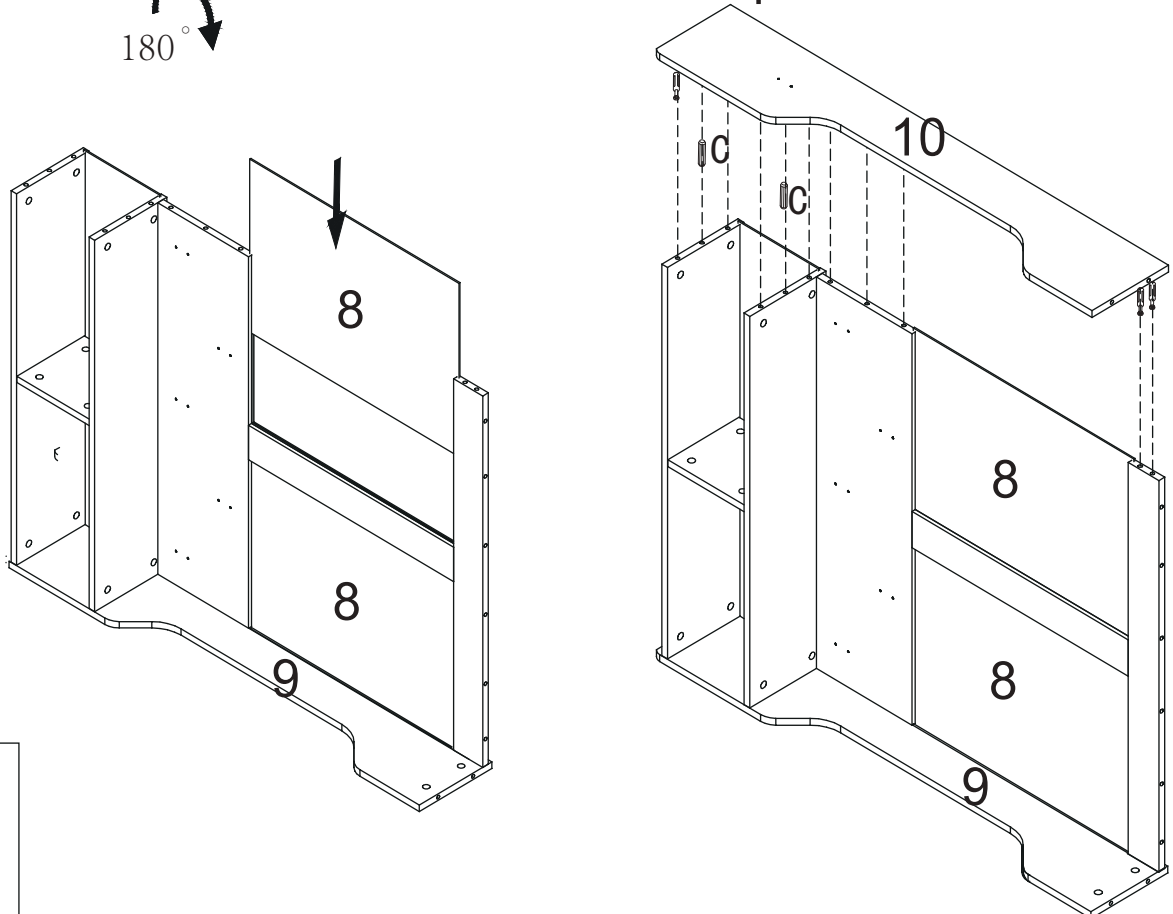


B*9



10.

Please flip carefully
Veuillez retourner avec précaution

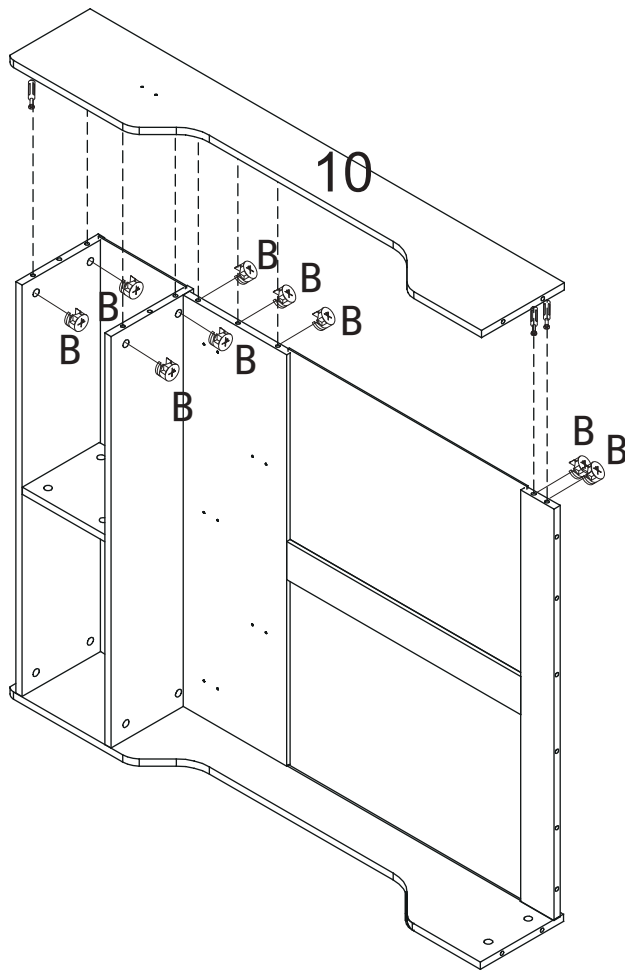


C*2



Ø8 x 30 mm

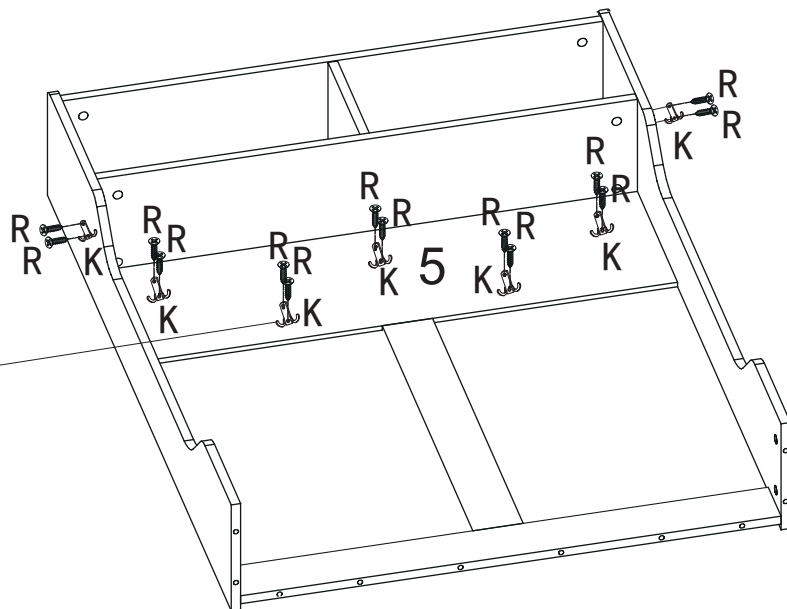
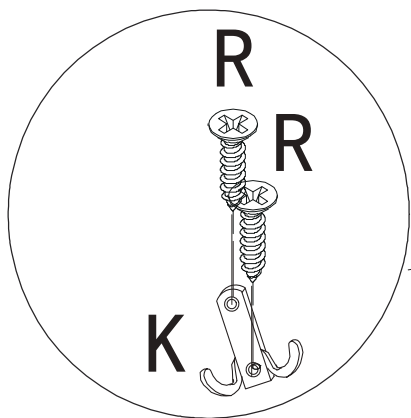
11.



B*9



12.



Note the use of black self-tapping R
Notez l'utilisation de l'autotaraudage noir R

K*7

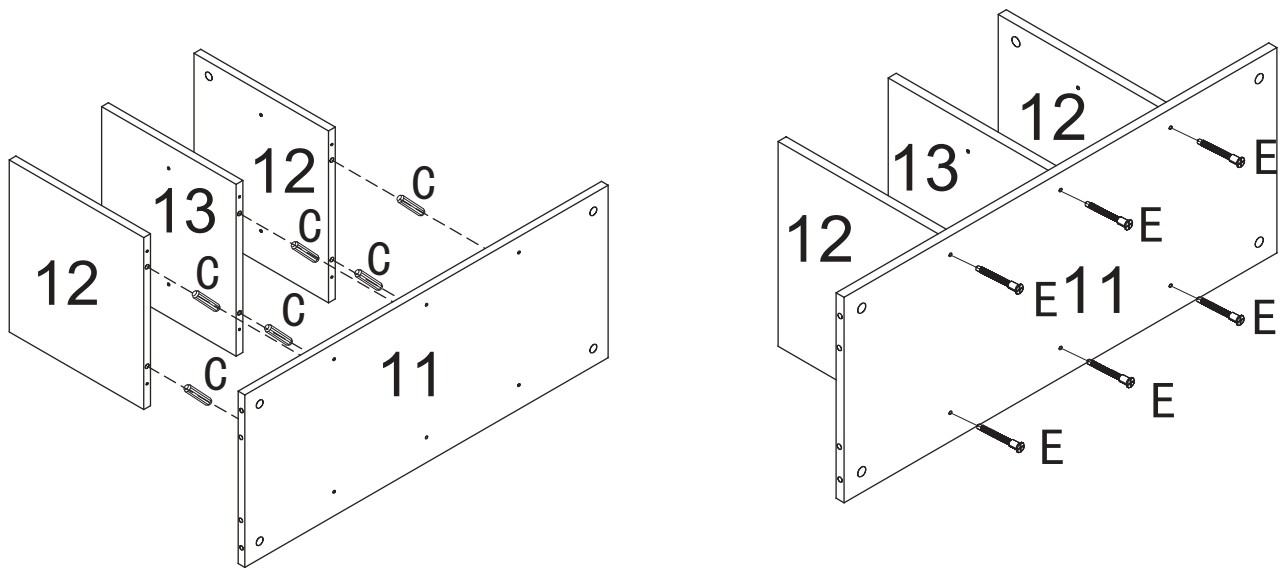


R*14



Ø 3.5 x 14 mm

13.



C*6



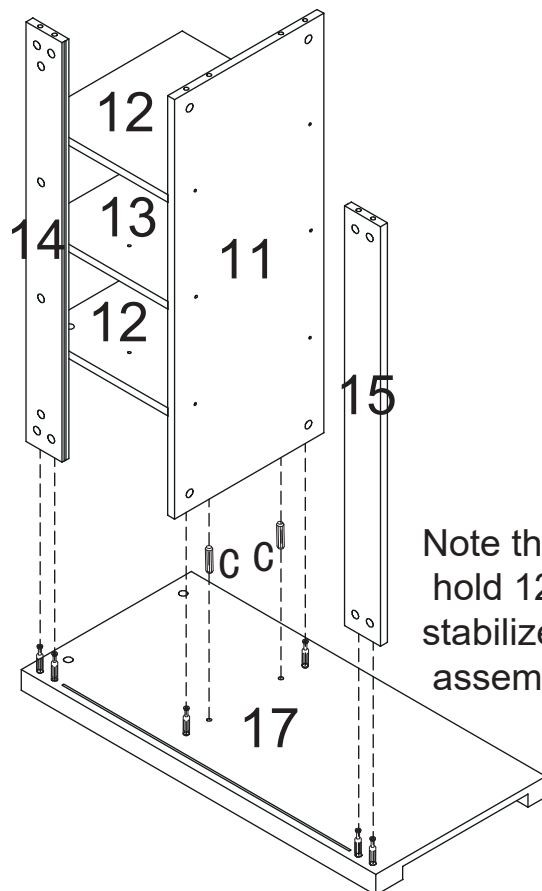
Ø8 x 30 mm

E*6



Ø5 x 40 mm

14.



Note that this step requires one person to hold 12 and 13 with their hands to stabilize them, and the other person to assemble them according to the steps

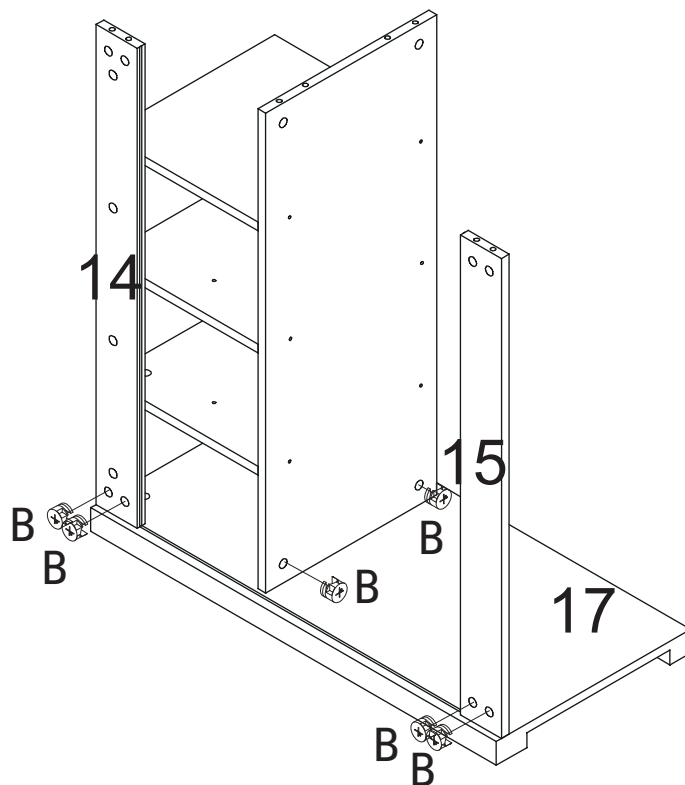
C*2



Ø8 x 30 mm

Notez que cette étape nécessite qu'une personne tienne les 12 et 13 avec ses mains pour les stabiliser, et que l'autre personne les assemble selon les étapes

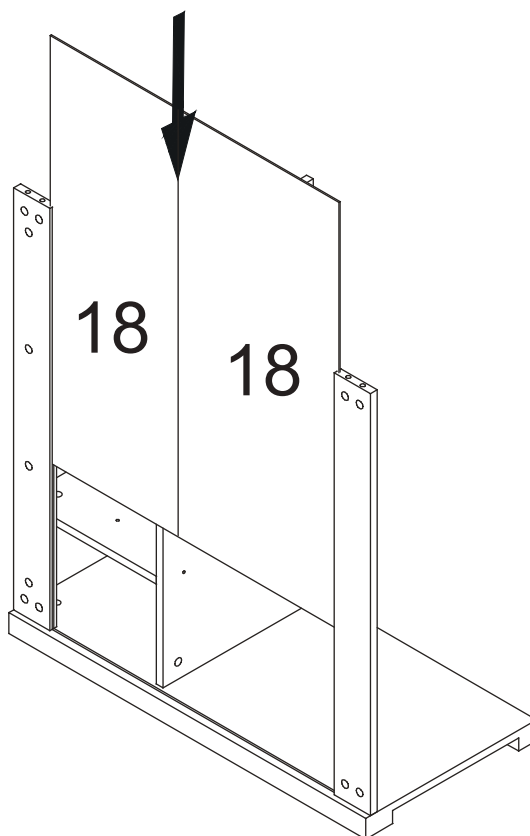
15.



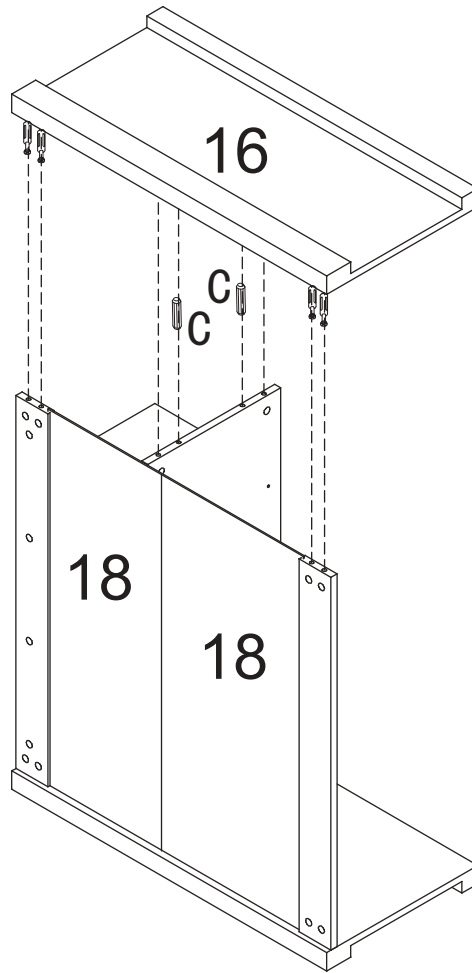
B*6



16.



17.

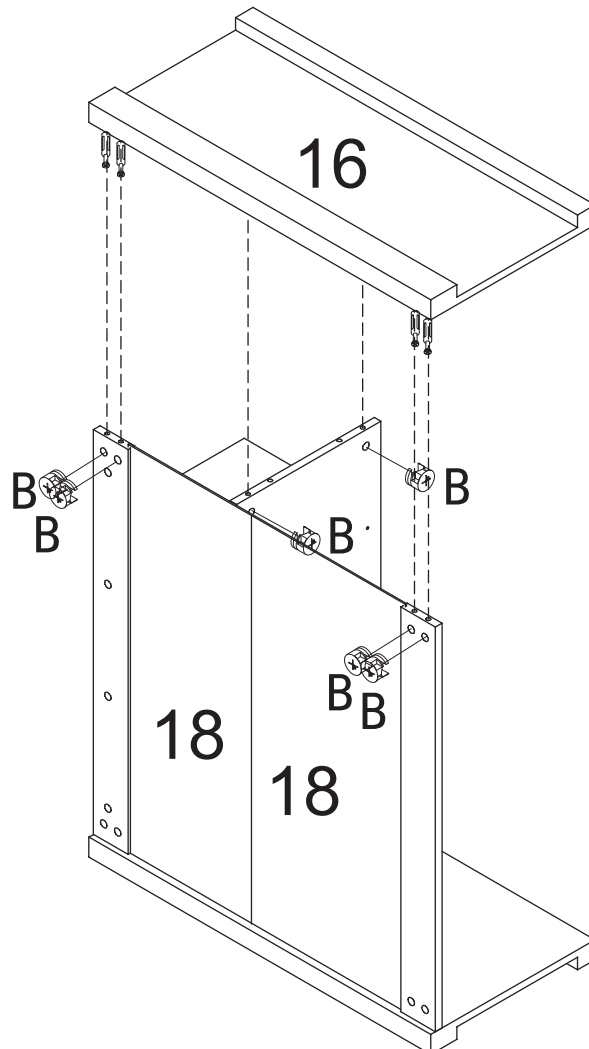


C*2



Ø8 x 30 mm

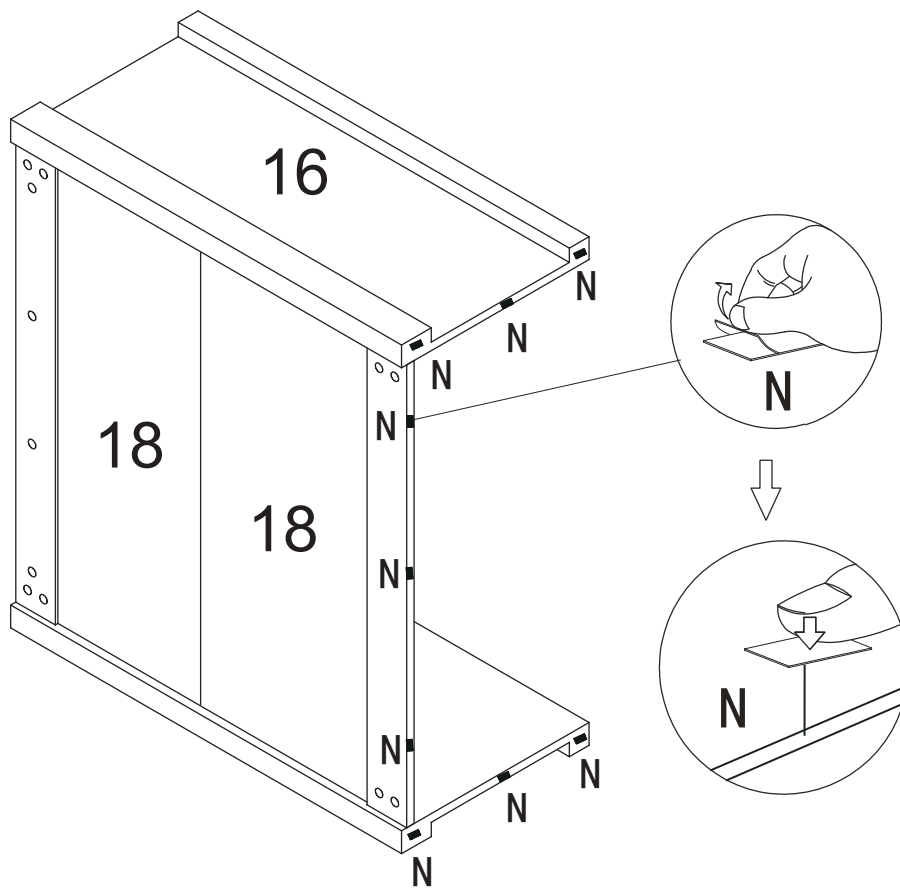
18.



B*6



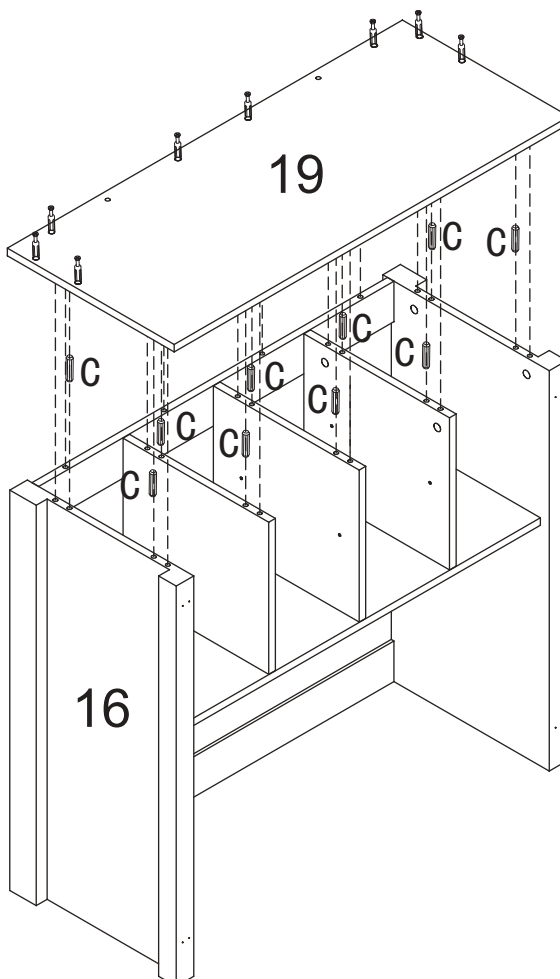
19.



N*9



20.

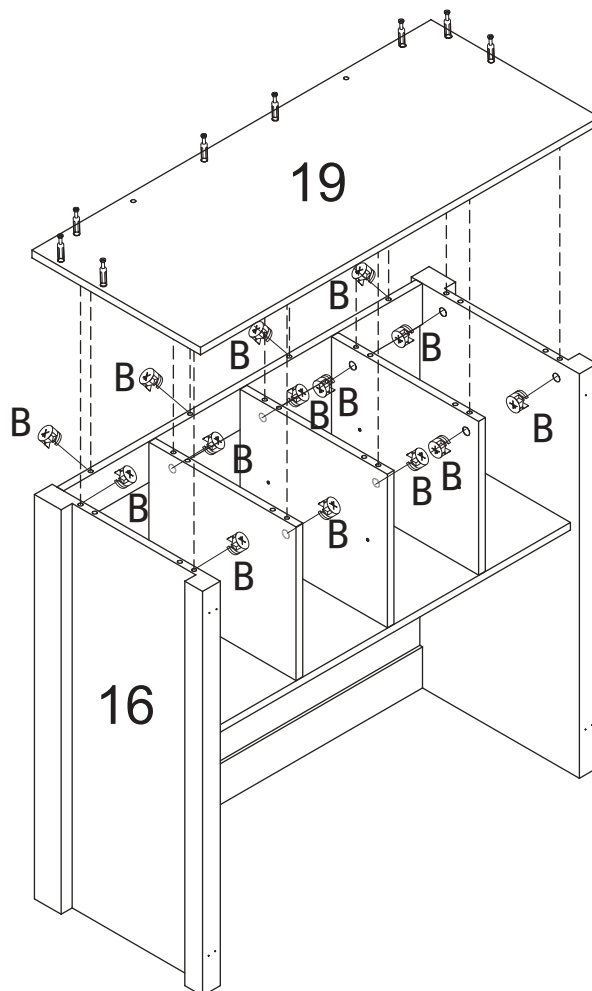


C*10



Ø8 x 30 mm

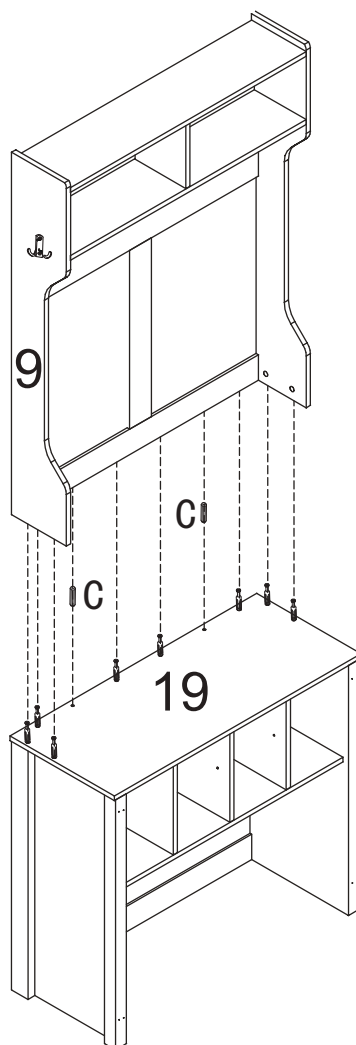
21.



B*14



22.

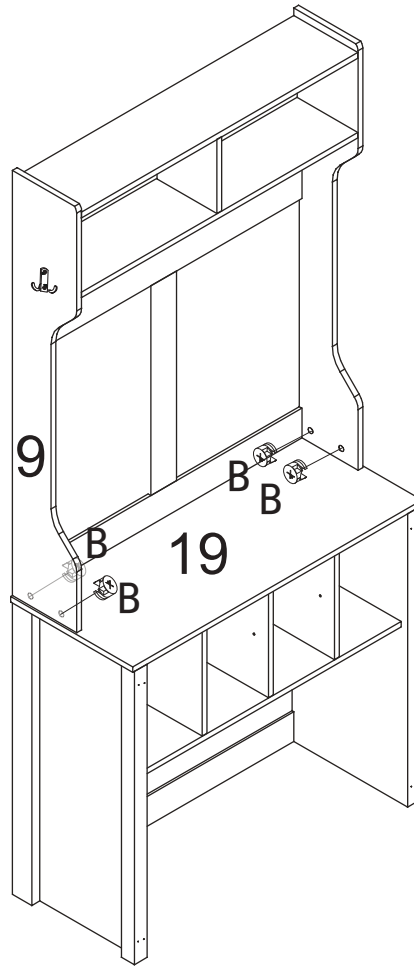


C*2



Ø8 x 30 mm

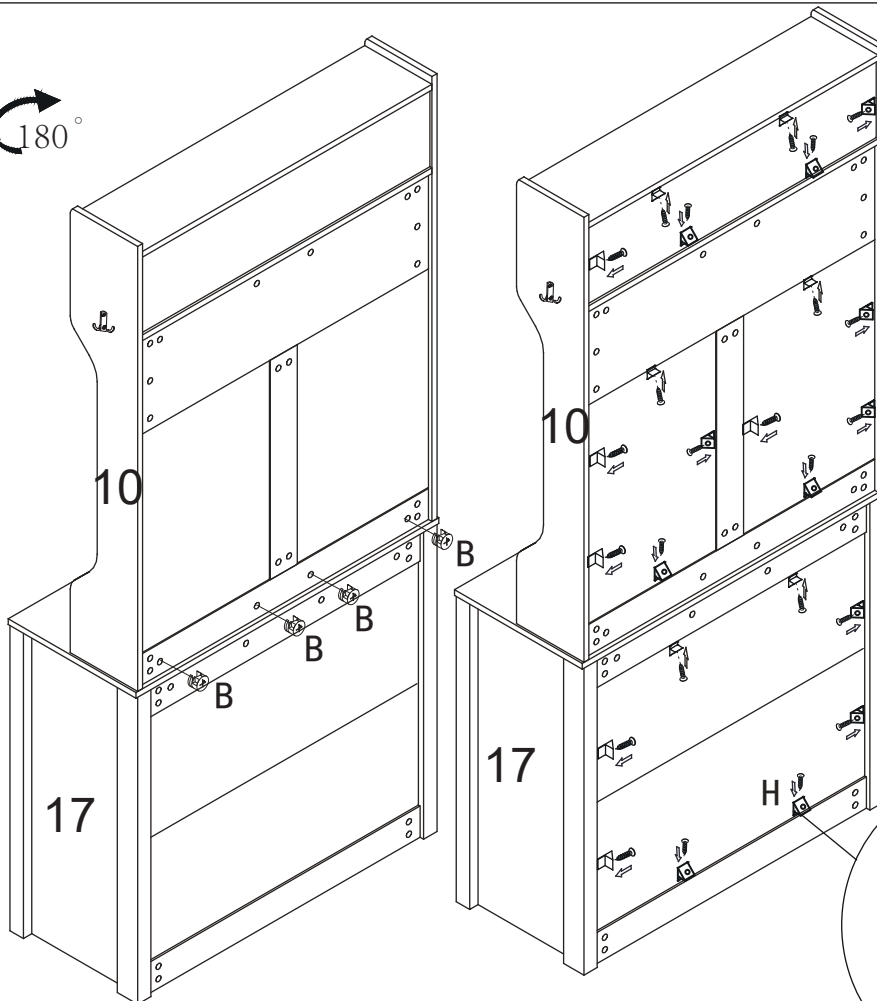
23.



B*4



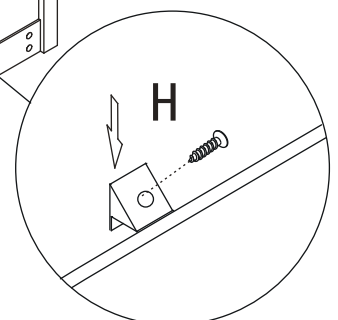
24.



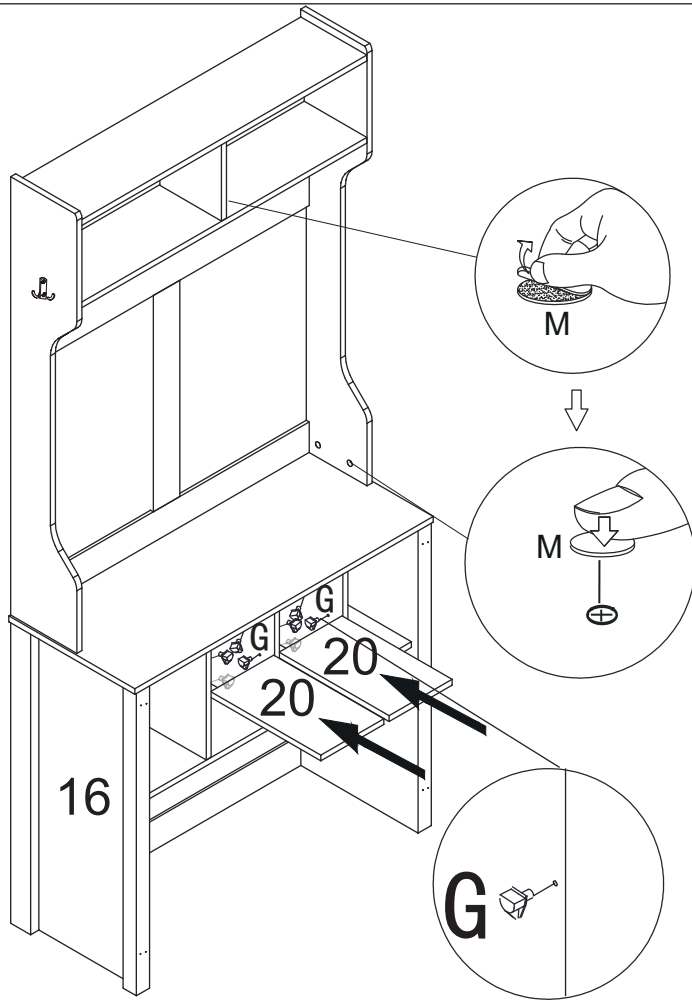
B*4



H*24



25.



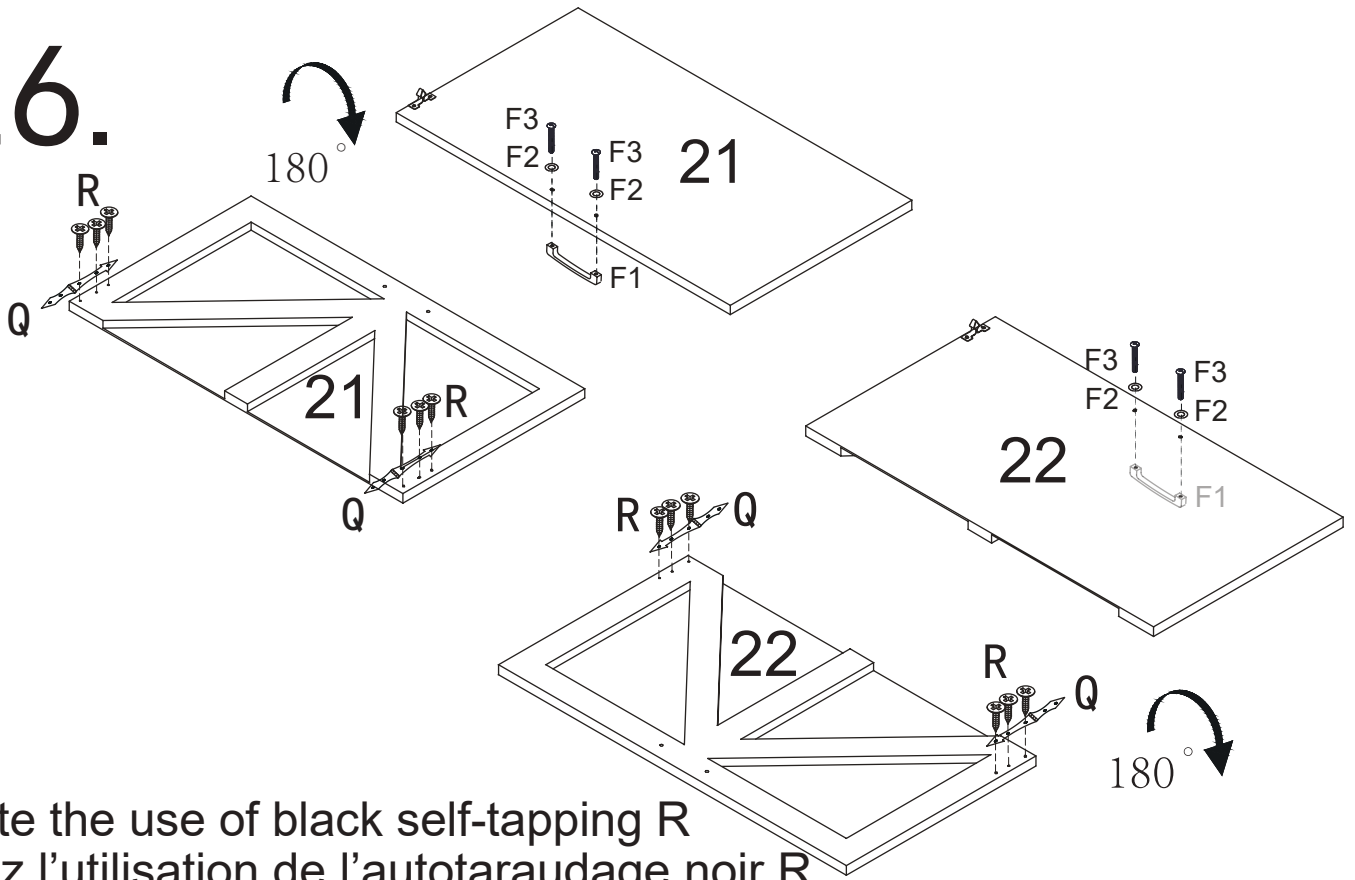
G*8



M*16



26.



Note the use of black self-tapping R
 Notez l'utilisation de l'autotaraudage noir R

R*12



Ø3.5 x 14 mm

Q*4



F1



F2



F3



F1*2



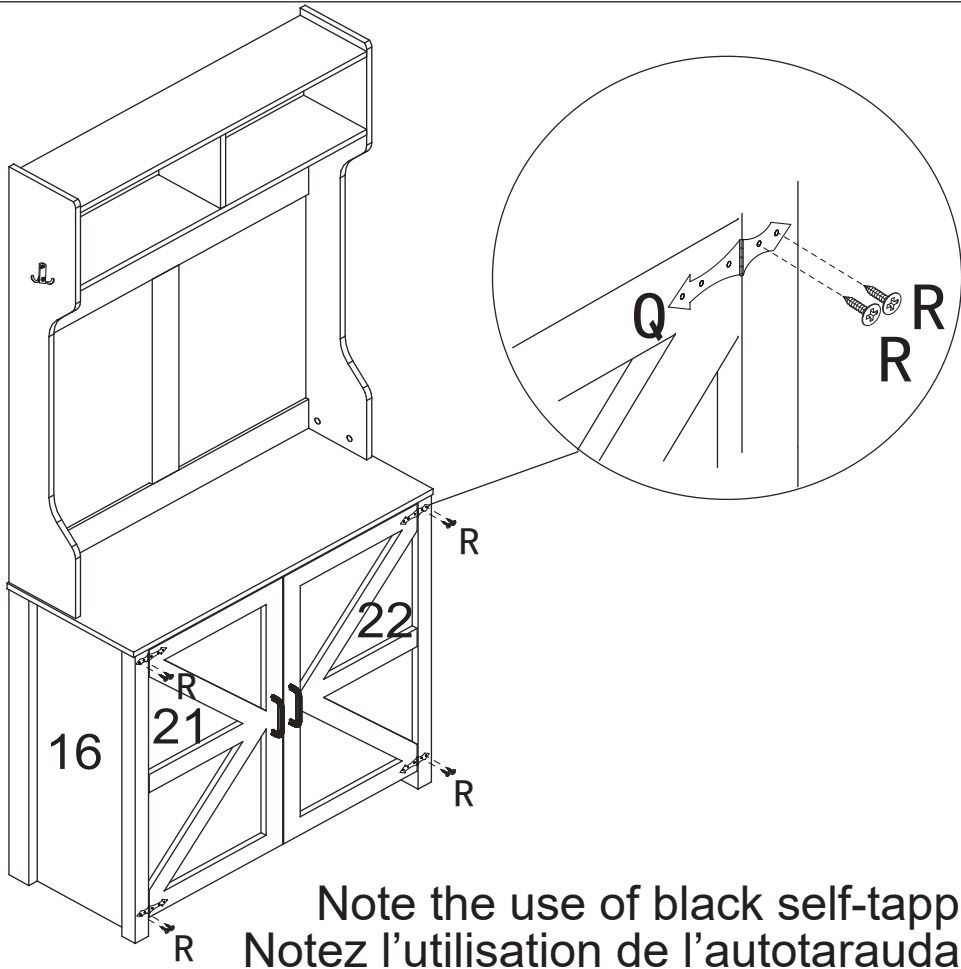
F2*2



F3*2



27.



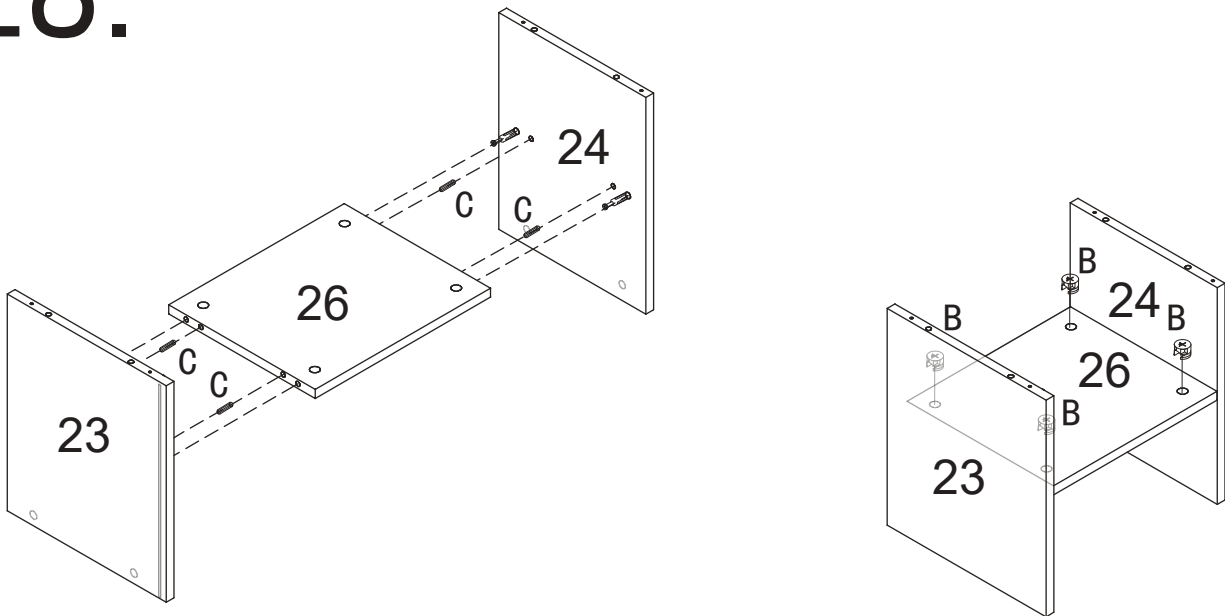
R*8



Ø 3.5 x 14 mm

Note the use of black self-tapping R
Notez l'utilisation de l'autotaraudage noir R

28.



B*4

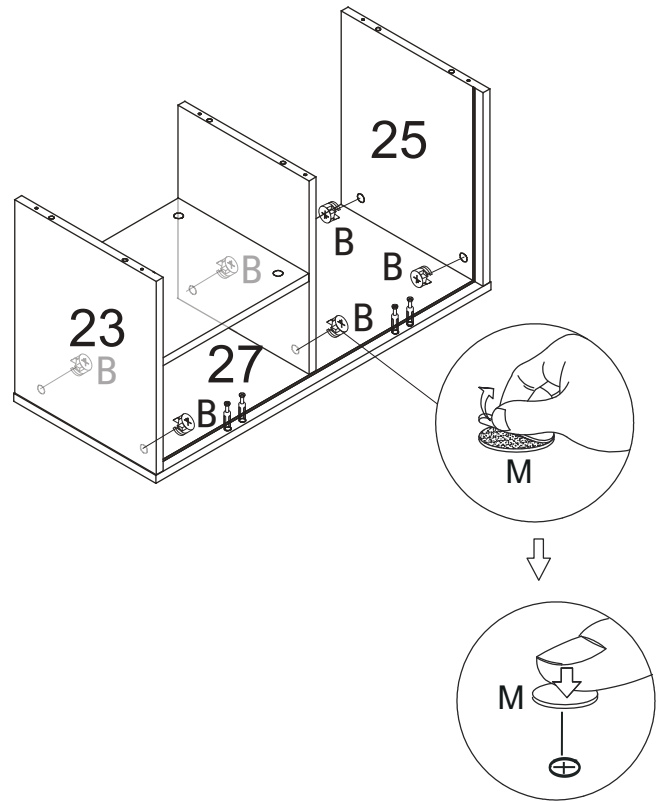
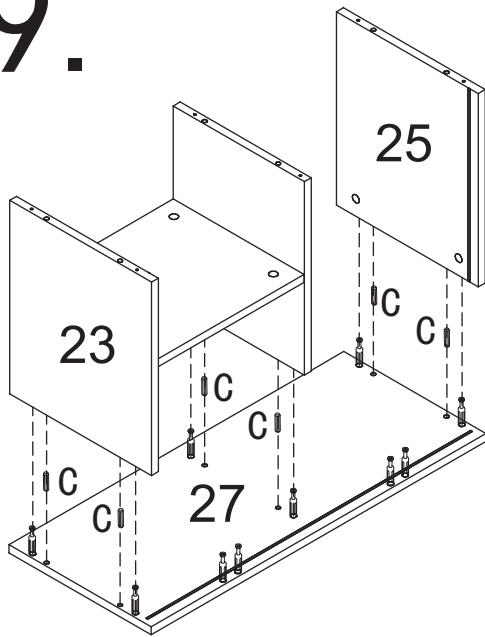


C*4



Ø 8 x 30 mm

29.



B*6



C*6

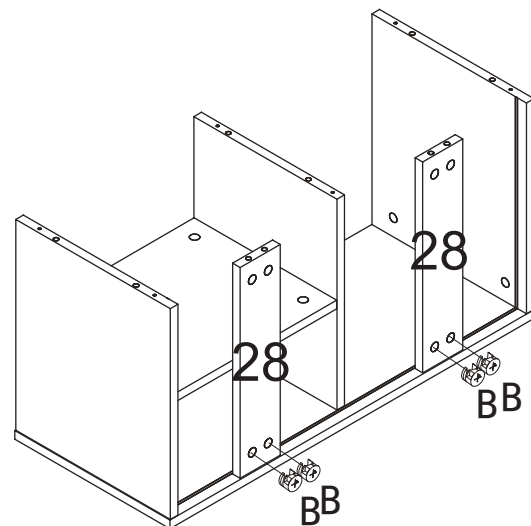
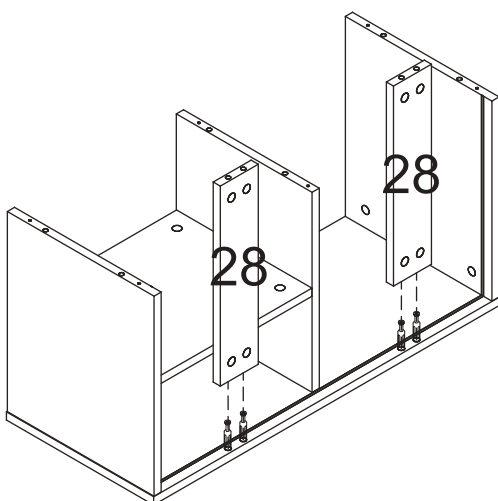


Ø8 x 30 mm

M*6



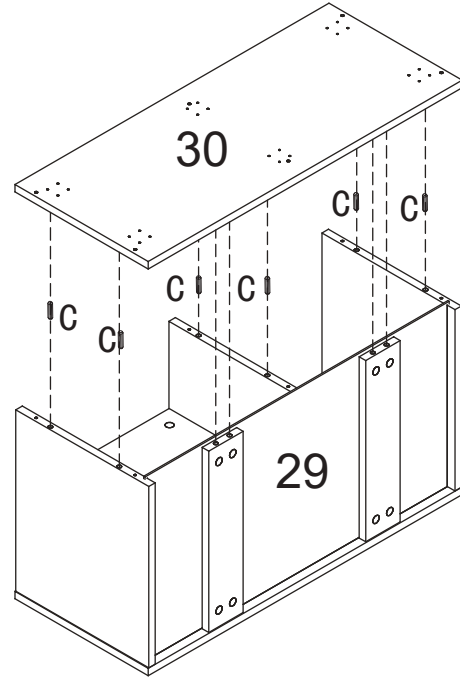
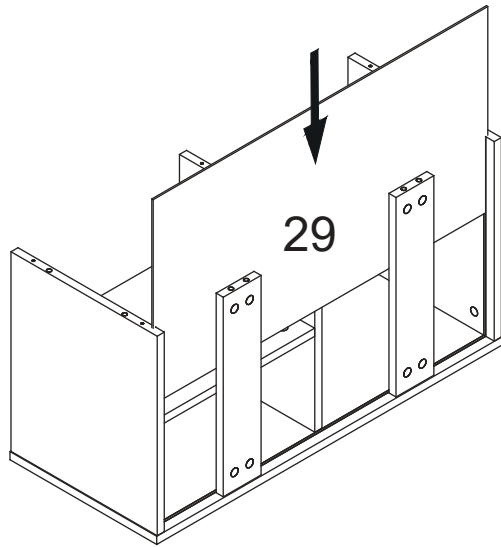
30.



B*4



31.

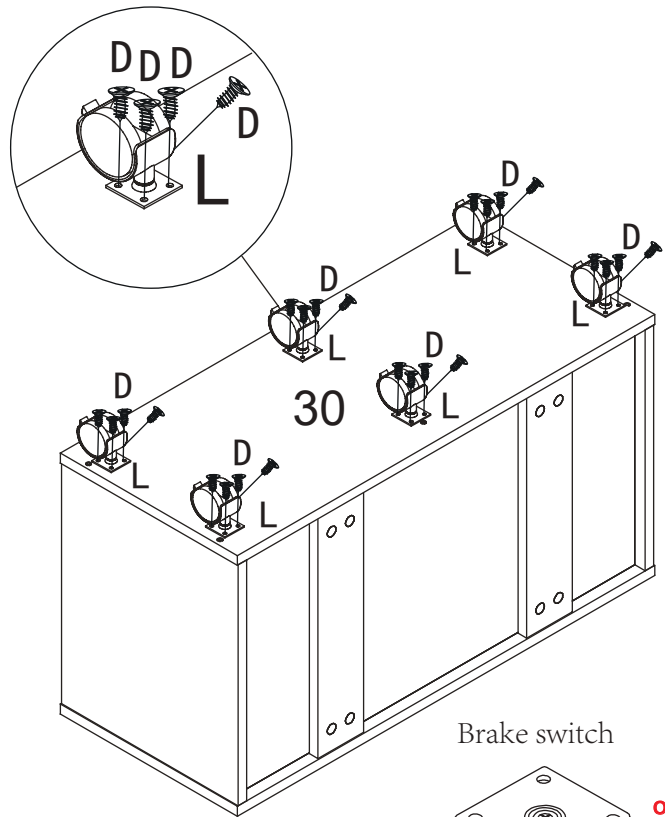
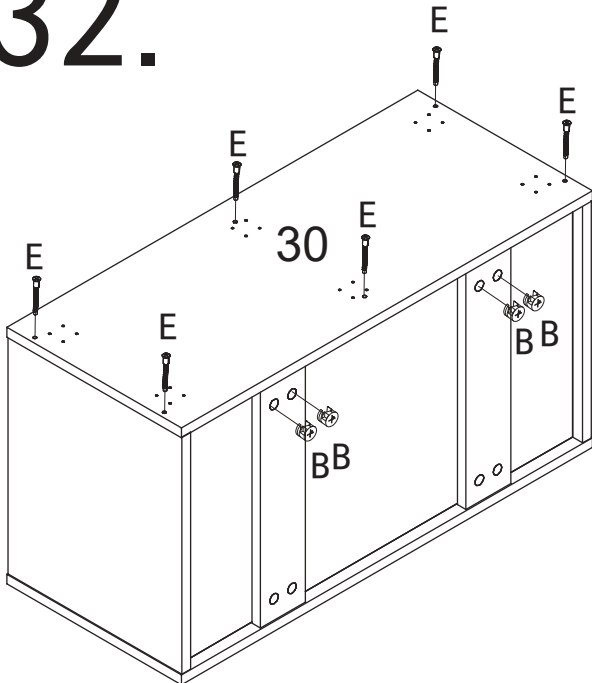


C*6

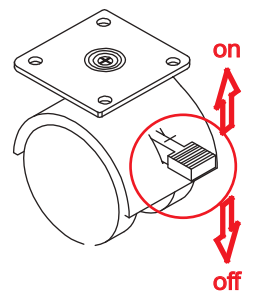


Ø8 x 30 mm

32.



Brake switch



E*6



Ø5 x 40 mm

D*24



Ø3.5 x 14 mm

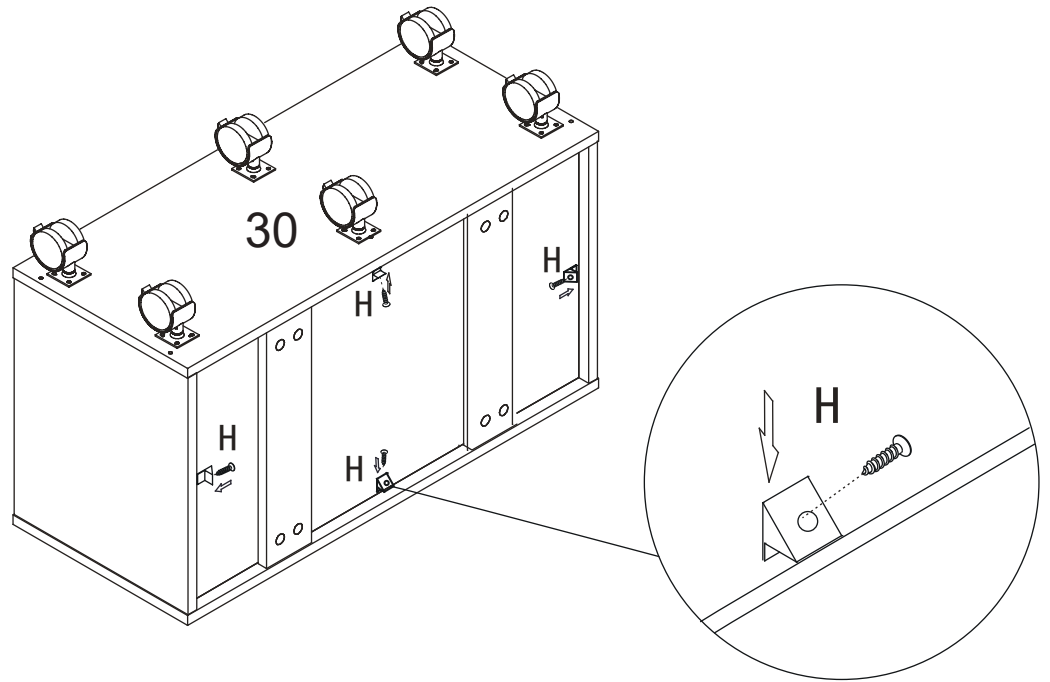
L*6



B*4



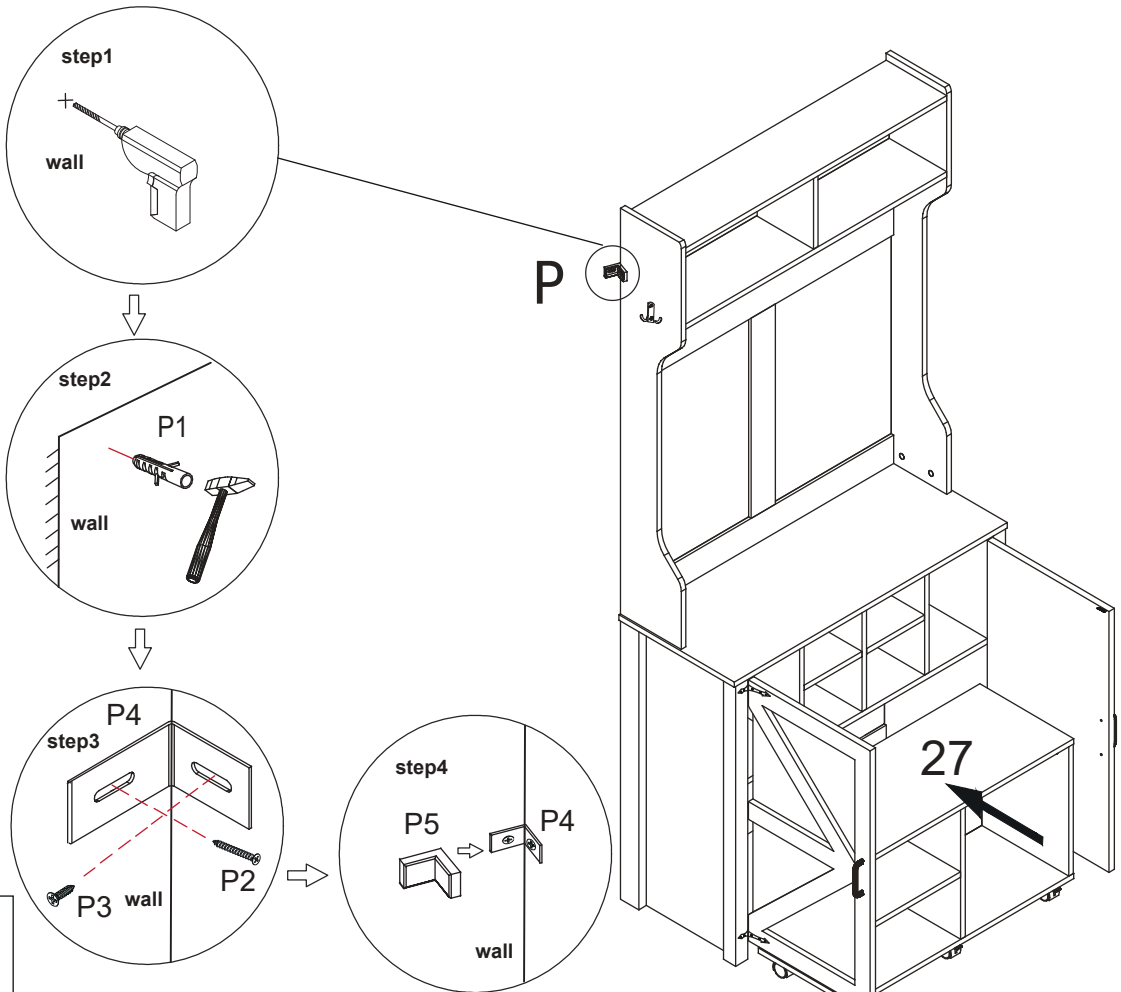
33.



H*4



34.



P

step1

wall

step2

P1

wall

P4

step3

P3 wall

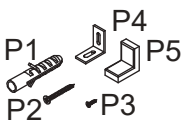
step4

P5

wall

27

P*2



35.

