

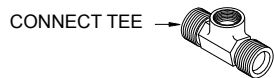
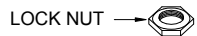
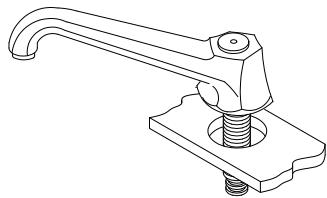
LAVATORY FAUCET INSTALLATION GUIDE

BEFORE YOU BEGIN

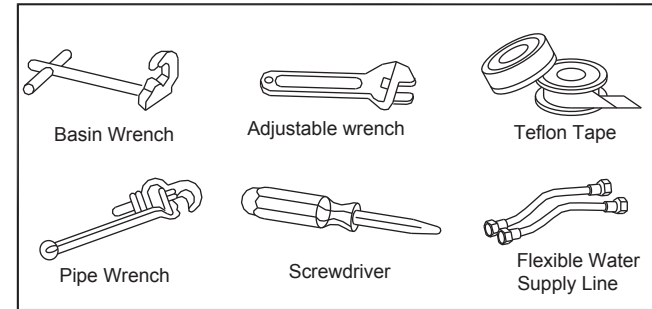
- 1) Shut off water supply.
- 2) Carefully inspect waste and supply tubing for signs of damage.
- 3) Replace waste or supply tubing if necessary

A) SPOUT INSTALLATION

- 1) Remove washer, lock nut and connect tee.
- 2) Apply plumbers' putty or sealant.
- 3) Locate mounting hole and insert spout into deck or lavatory.
- 4) Screw and tighten washers, lock nut onto the shank and secure the spout
- 5) Insert pop-up rod into the spout.
- 6) Screw and tighten the connect tee to the shank.
- 7) Remove excessive plumbers' putty or sealant.

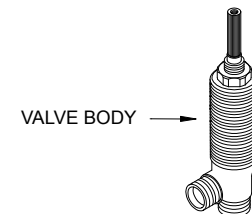
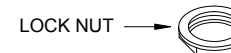
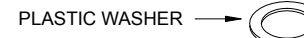
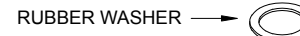
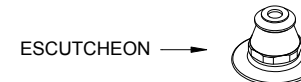
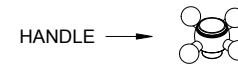


TOOLS AND MATERIALS



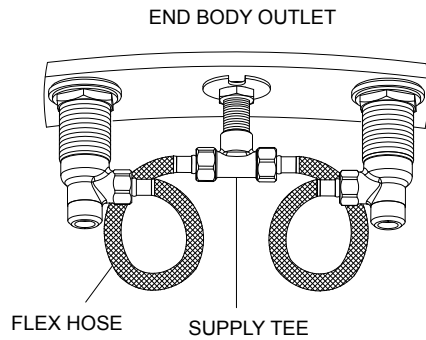
B) HANDLE VALVE INSTALLATION

- 1) Place lower plastic washer and lock nut over valve body.
- 2) Insert valve body from under the sink.
- 3) Place upper rubber washers and escutcheon on valve spindle.
- 4) Adjust position of valve body. Secure valve body with lock nut and escutcheon.
- 5) Place handle onto spindle.
- 6) Tighten handle with screw.



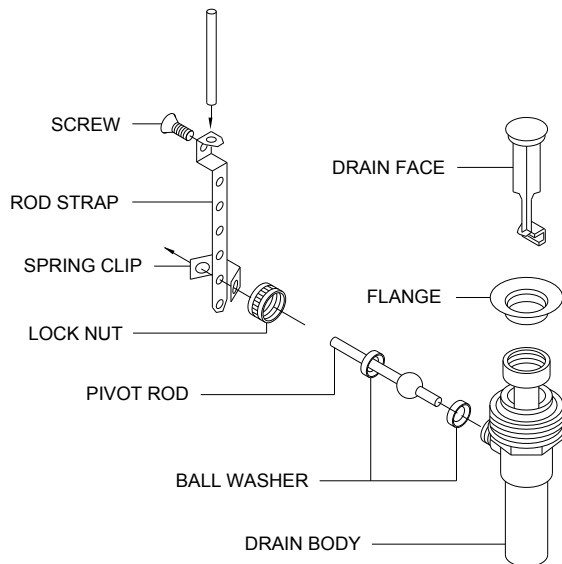
C) FLEXIBLE HOSE INSTALLATION

- 1) Install flexible hoses onto hot and cold water outlets.
- 2) Secure hoses with wrench. Do not over tighten.
- 3) Connect flexible hoses to supply tee.
- 4) Circle the excessive part of hoses as shown in figure below.



D) DRAIN WASTE INSTALLATION

- 1) Install the drain body on the shank.
- 2) Secure pivot rod into pivot rod opening. (on the side of drain body)
- 3) Adjust the position of rod strap.
- 4) Secure rod strap to pivot rod with spring clip.
- 5) Locate end of pull-up rod of spout.
- 6) Insert pull-up rod into rod strap.
- 7) Secure pull-up rod with screw.

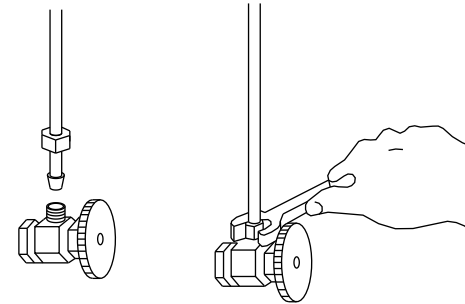


E) SUPPLY CONNECTION

- 1) Install lavatory according to manufacturer's instructions.
- 2) Connect hoses (not provided) to angle stops.
- 3) Tighten all connections.

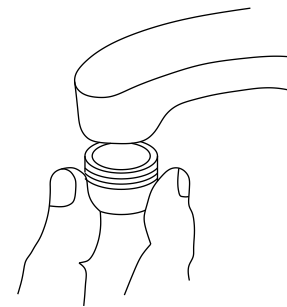
*** VERY IMPORTANT ***

- 4) Flush out water for two minutes before connect hose to faucet valve.
(This act to avoid debris trapped the flow regulator)



F) INSTALLATION CHECKOUT

- 1) Ensure all connections are tightened properly.
- 2) Turn on main water supply.
- 3) Turn on and off cold and hot water respectively.
- 4) Turn on both hot and cold water and turn off. Check for leaks.
- 5) Remove the aerator cap and aerator. Check for debris. Clean if necessary.
- 6) Reinstall aerator.



COMPLETE INSTALLATION