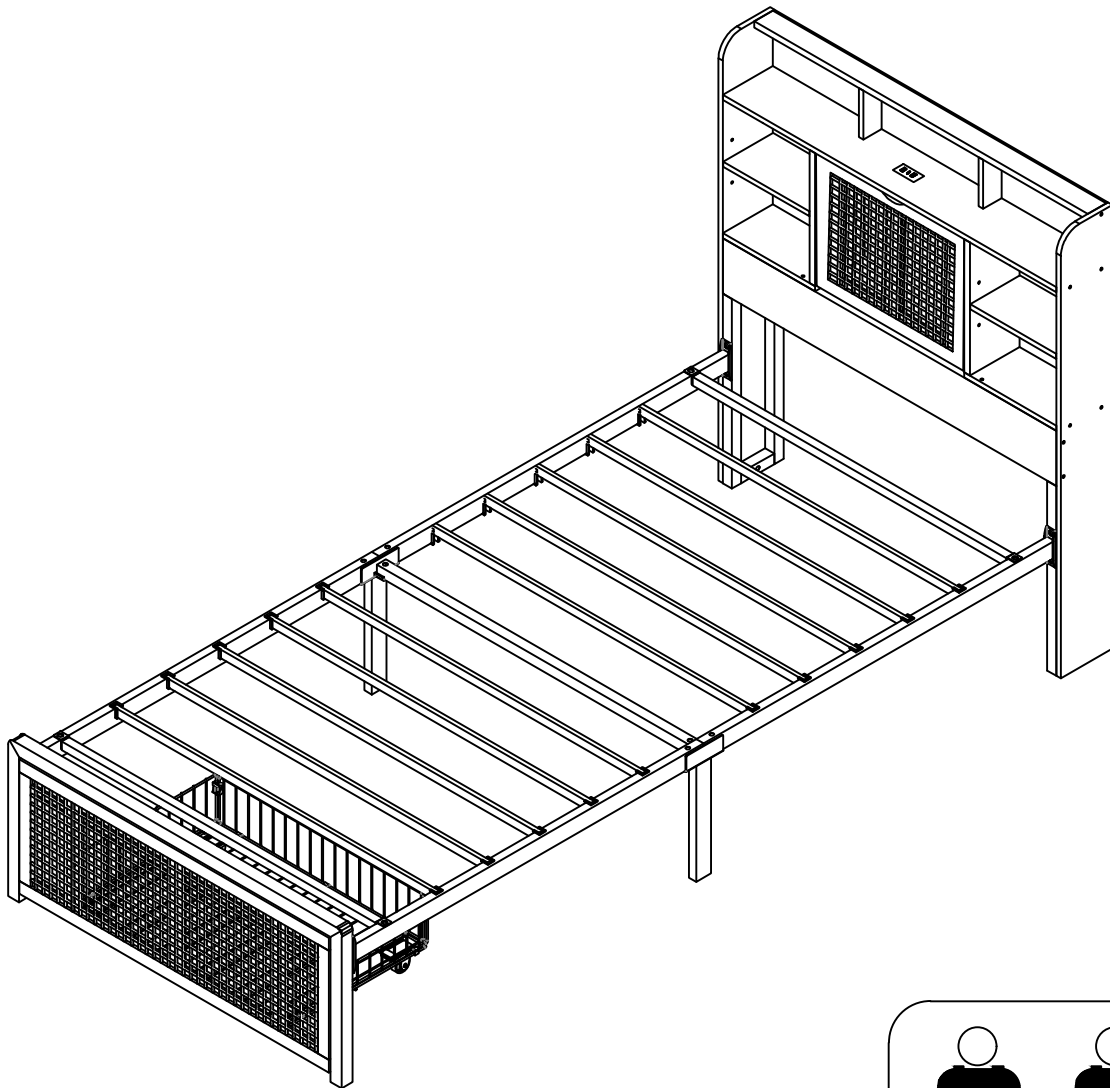


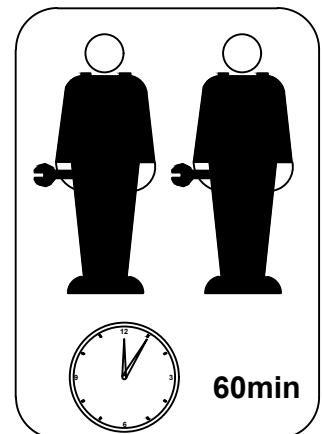
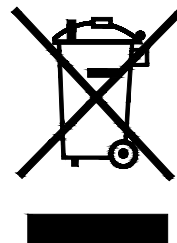
# ASSEMBLY INSTRUCTIONS

Item Number N604P336373N

Metal Bed:90\*190cm



**UK  
CA**



# INSTRUCTIONS

## IMPORTANT-READ CAREFULLY-RETAIN FOR FUTURE REFERENCE

- a) WARNING -Children can become trapped between the bed and the wall, the adjoining pieces of furniture (e.g. cupboards) and the like. To avoid risk of serious injury the distance between the safety barrier and the adjoining structure shall not exceed 90 mm or shall be more than 230 mm.
- b) WARNING-Do not use the bed if any structural part is broken or missing; Replacement parts are between requested from the manufacturer or the store.
- c) WARNING-Do not climb or wiggle on any non-designated structures.
- d) it is imperative to always follow the installation instructions and manufacturer's use.
- e) **The recommended size of the mattress to be used with the bed is 90cmx190cm, maximum thickness mattress:15cm.**
- f) It is necessary to ventilate the room in order to maintain a low level moisture and prevent mold growth in the bed and its periphery.
- g) Joining devices should always be tightened properly and regularly verified. Tighten if necessary.

# ANLEITUNGEN

## WICHTIG - SORGFÄLTIG LESEN - FÜR SPÄTERE VERWENDUNG

### AUFBEWAHREN

- a) WARNUNG - Kinder können zwischen dem Bett und der Wand, den angrenzenden Möbelstücken (z. B. Schränken) und der Lücke eingeklemmt werden. Um die Gefahr schwerer Verletzungen zu vermeiden, darf der Abstand zwischen der Sicherheitsbarriere und der angrenzenden Struktur nicht mehr als 90 mm oder mehr als 230 mm betragen.
- b) WARNUNG-Das Bett darf nicht benutzt werden, wenn ein Bauteil gebrochen ist oder fehlt; Ersatzteile sind beim Hersteller oder im Geschäft anzufordern.
- c) WARNUNG - Klettern oder wackeln Sie nicht auf nicht dafür vorgesehenen Strukturen.
- d) Befolgen Sie unbedingt die Installationsanweisungen und die Gebrauchsanweisungen des Herstellers.
- e) **Die empfohlene Größe der Matratze für das Bett beträgt 90x190cm, maximale Dicke der Matratze: 15cm.**
- f) Es ist notwendig, den Raum zu lüften, um die Feuchtigkeit niedrig zu halten und Schimmelbildung im Bett und seiner Umgebung zu verhindern.
- g) Die Verbindungselemente sollten immer richtig angezogen sein und regelmäßig überprüft werden. Ziehen Sie sie gegebenenfalls nach.

**English****IMPORTANT ! KEEP FOR FUTURE REFERENCE : READ CAREFULLY**

- To be assembled by an adult. Assembly must be checked by an adult before use
- WARNING ! Keep all screws, small parts and plastic bags out of the reach of children
- Properly identify all parts before assembling
- Never use your item if any of its parts are broken or missing
- Should any problems arise, please contact our After Sales Service
- Manufacturer's instructions shall be followed at all times
- Care: Clean with a soft, dry cloth. In case of larger stains, carefully rub with a slightly damp, non-abrasive sponge
- Avoid the risk of fire by not placing furniture near sources of ignition or hot items
- Do not jump on the bed

**Deutsch****WICHTIG ! ZUM SPÄTEREN NACHSCHLAGEN AUFBEWAHREN: SORGFÄLTIG LESEN**

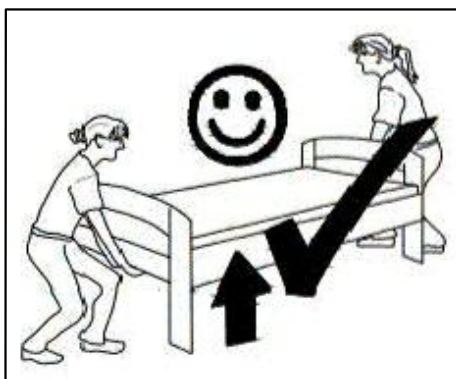
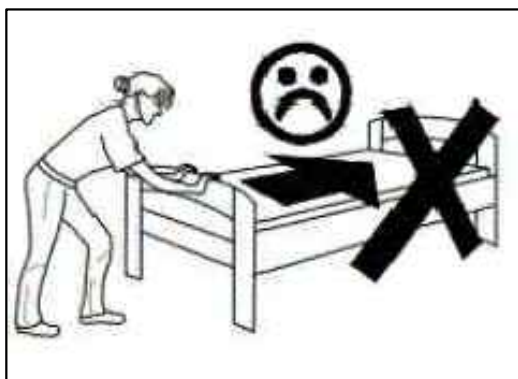
- Muss von einem Erwachsenen zusammengebaut werden. Der Zusammenbau muss vor dem Gebrauch von einem Erwachsenen überprüft werden
- WARNUNG! Bewahren Sie alle Schrauben, Kleinteile und Plastikbeutel außerhalb der Reichweite von Kindern auf
- Kennzeichnen Sie vor dem Zusammenbau alle Teile richtig
- Benutzen Sie Ihren Artikel niemals, wenn Teile gebrochen sind oder fehlen
- Sollten Probleme auftreten, wenden Sie sich bitte an unseren Kundendienst
- Die Anweisungen des Herstellers sind stets zu befolgen
- Pflege: Mit einem weichen, trockenen Tuch reinigen. Bei größeren Flecken vorsichtig mit einem leicht feuchten, nicht scheuernden Schwamm abreiben. nicht scheuernden Schwamm
- Vermeiden Sie die Gefahr eines Brandes, indem Sie die Möbel nicht in der Nähe von Zündquellen oder heißen Gegenständen aufstellen
- Nicht auf das Bett springen

**Français****IMPORTANT ! CONSERVER POUR RÉFÉRENCE ULTÉRIEURE : LIRE ATTENTIVEMENT**

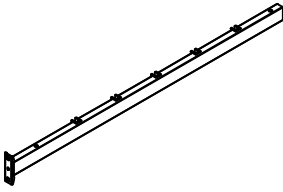
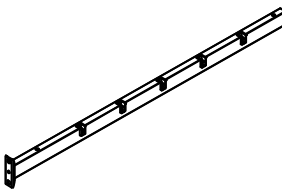



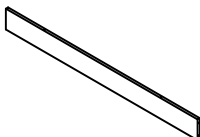
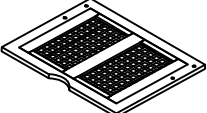
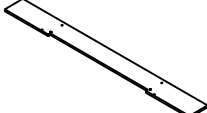
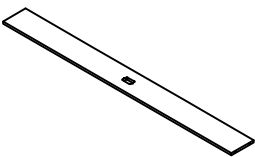
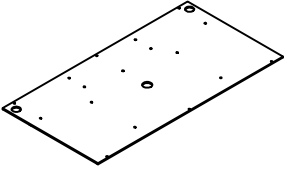
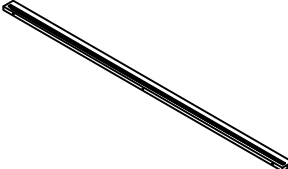
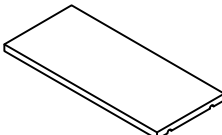


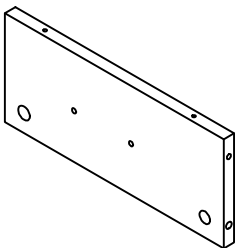
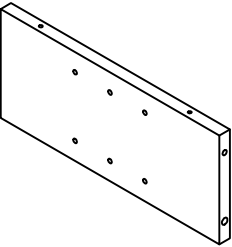

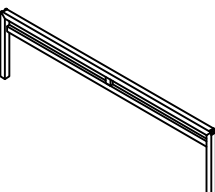
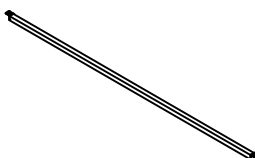
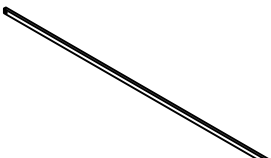
- Le montage doit être effectué par un adulte. Le montage doit être vérifié par un adulte avant Utilisation
- ATTENTION ! Tenir les vis, les petites pièces et les sachets en plastique hors de portée des enfants
- Identifiez correctement toutes les pièces avant de les assembler
- N'utilisez jamais votre article si l'une de ses pièces est cassée ou manquante
- En cas de problème, veuillez contacter notre service après-vente
- Les instructions du fabricant doivent être respectées à tout moment
- Entretien : nettoyer avec un chiffon doux et sec. En cas de taches plus importantes, frotter soigneusement avec une éponge non abrasive légèrement humide. légèrement humide et non Abrasive
- Évitez les risques d'incendie en ne plaçant pas les meubles à proximité de sources d'inflammation ou d'objets chauds
- Ne pas sauter sur le lit

- Deve essere assemblato da un adulto. L'assemblaggio deve essere controllato da un adulto prima dell'uso
- ATTENZIONE! Tenere tutte le viti, le piccole parti e i sacchetti di plastica fuori dalla portata dei bambini
- Identificare correttamente tutte le parti prima dell'assemblaggio
- Non utilizzare mai l'articolo se alcune parti sono rotte o mancanti
- In caso di problemi, si prega di contattare il nostro Servizio Post Vendita
- Le istruzioni del produttore devono essere sempre seguite
- Cura: Pulire con un panno morbido e asciutto. In caso di macchie più estese, strofinare accuratamente con una spugna leggermente umida e nonspugna leggermente umida e non abrasiva
- Evitare il rischio di incendio, non collocando i mobili vicino a fonti di accensione o a oggetti caldi
- Non saltare sul letto

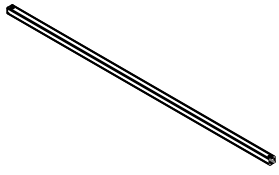
- Debe ser montado por un adulto. El montaje debe ser comprobado por un adulto antes del uso
- ADVERTENCIA Mantenga todos los tornillos, piezas pequeñas y bolsas de plástico fuera del alcance de los niños.
- Identifique correctamente todas las piezas antes de montarlas
- Nunca utilice su artículo si alguna de sus piezas está rota o falta
- Si surge algún problema, póngase en contacto con nuestro Servicio Postventa
- Las instrucciones del fabricante deben seguirse en todo momento
- Cuidado: Limpiar con un paño suave y seco. En caso de manchas más grandes, frote cuidadosamente con una esponja no abrasiva ligeramente humedecida.
- Evite el riesgo de incendio no colocando los muebles cerca de fuentes de ignición u objetos calientes.
- No saltar sobre la cama.



# Part list N604P336373N

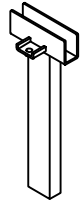
<p>1</p>  <p>2PCS</p>	<p>2</p>  <p>2PCS</p>	<p>3</p>  <p>1PC</p>	<p>4</p>  <p>1PC</p>	<p>5</p>  <p>2PCS</p>
<p>6</p>  <p>1PC</p>	<p>7</p>  <p>1PC</p>	<p>8</p>  <p>1PC</p>	<p>9</p>  <p>1PC</p>	<p>10</p>  <p>1PC</p>
<p>11</p>  <p>1PC</p>	<p>12</p>  <p>2PCS</p>	<p>13</p>  <p>1PC</p>	<p>14</p>  <p>1PC</p>	<p>15</p>  <p>1PC</p>
<p>16</p>  <p>1PC</p>	<p>17</p>  <p>2PCS</p>	<p>18</p>  <p>1PC</p>	<p>19</p>  <p>2PCS</p>	<p>20</p>  <p>10PCS</p>

21



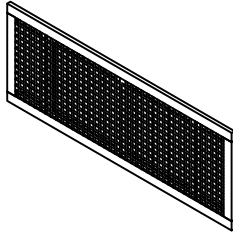
1PC

22



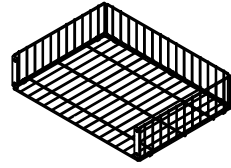
2PCS

26



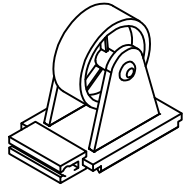
1PC

27



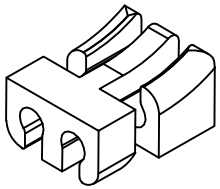
1PC

28



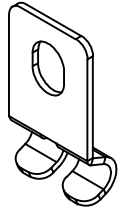
4PCS

29



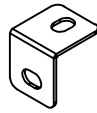
2PCS

30



1PC

31



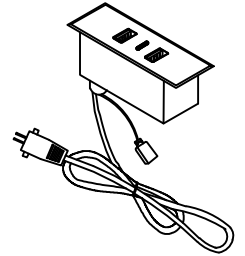
1PC

32



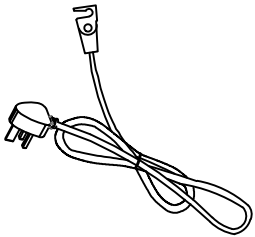
1PC

33



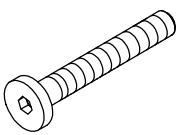
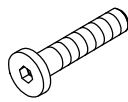
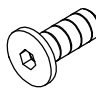
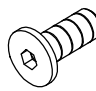
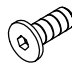
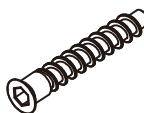


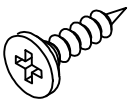
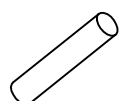
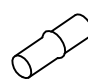

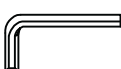
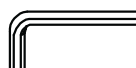
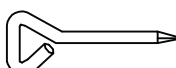
1PC

34



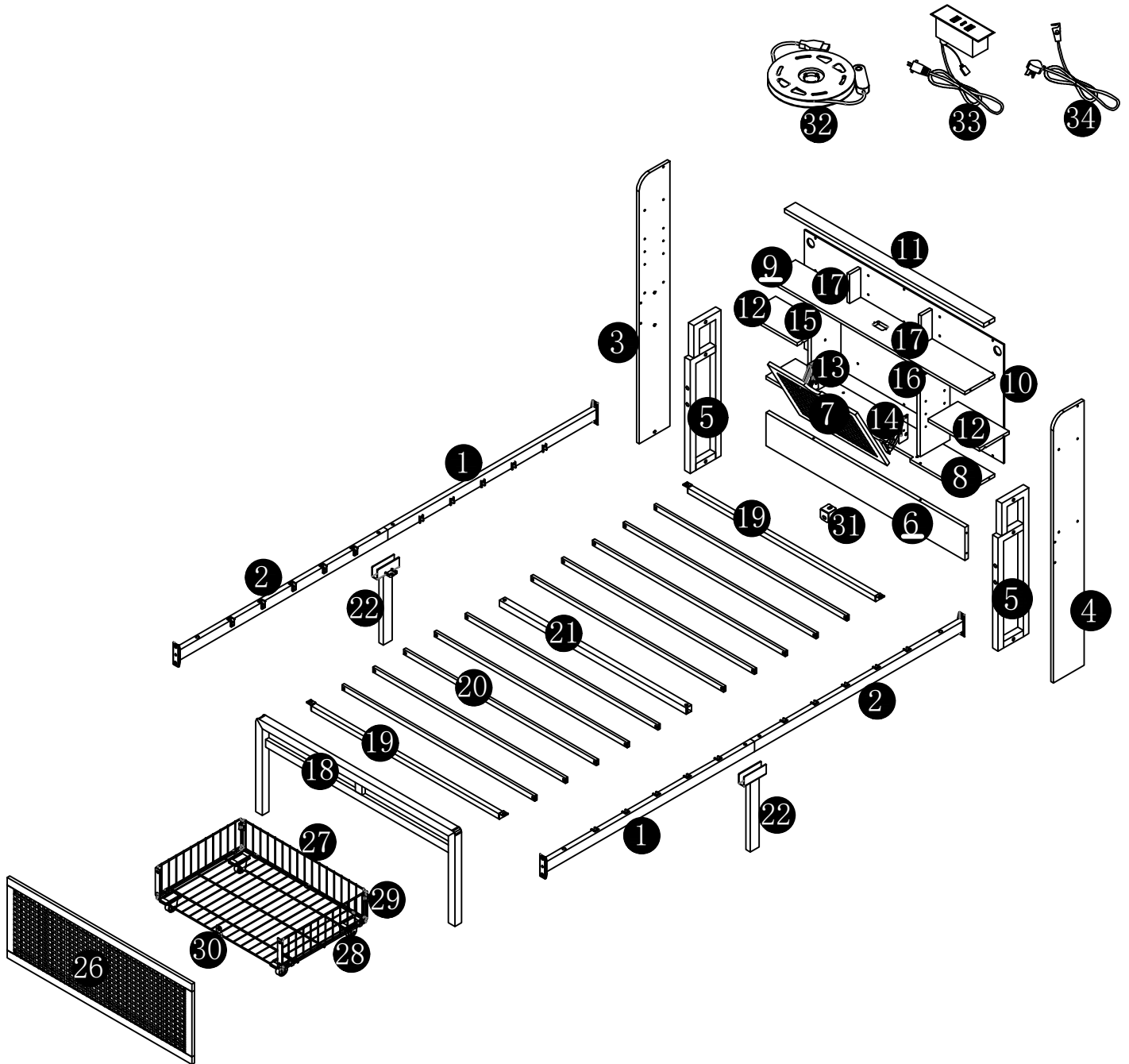
1PC

# Hardware list



<p>X1</p>  <p>M8*50mm 6PCS</p>	<p>X2</p>  <p>M8*35mm 6PCS</p>	<p>X3</p>  <p>M8*16mm 12PCS</p>	<p>X4</p>  <p>M8*12mm 8PCS</p>
<p>X5</p>  <p>M6*12mm 7PCS</p>	<p>X6</p>  <p>M5*40mm 33PCS</p>	<p>X7</p>  <p>M6*35mm 4PCS</p>	<p>X8</p>  <p>Ø15*Ø9.5 4PCS</p>
<p>X9</p>  <p>M3*12mm 2PCS</p>	<p>X10</p>  <p>Ø6*30mm 4PCS</p>	<p>X11</p>  <p>Ø5*14mm 8PCS</p>	<p>Z1</p>  <p>M8 Spanner 1PC</p>
<p>Z2</p>  <p>M6 Spanner 1PC</p>	<p>Z3</p>  <p>M5 Spanner 1PC</p>	<p>Z4</p>  <p>M3 Spanner 1PC</p>	

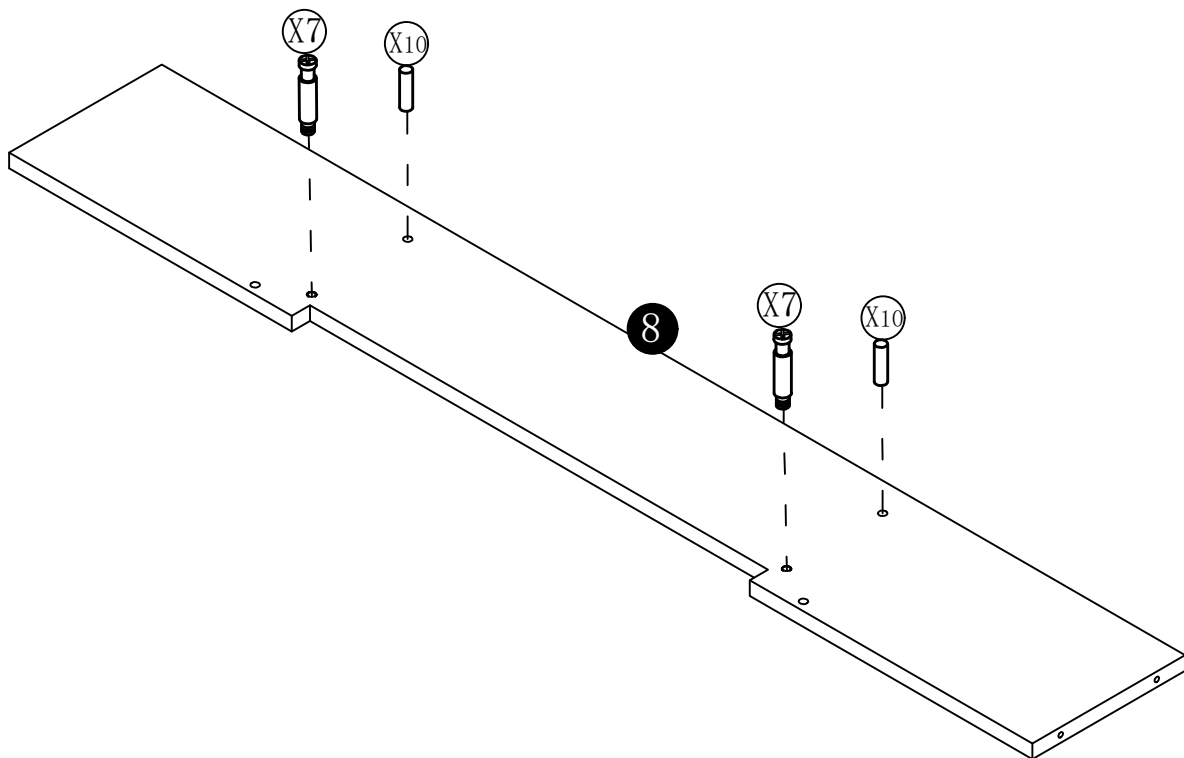
# Detail View

**NOTE:**Please do not completely tighten all the hardware until the entire assembly is complete!




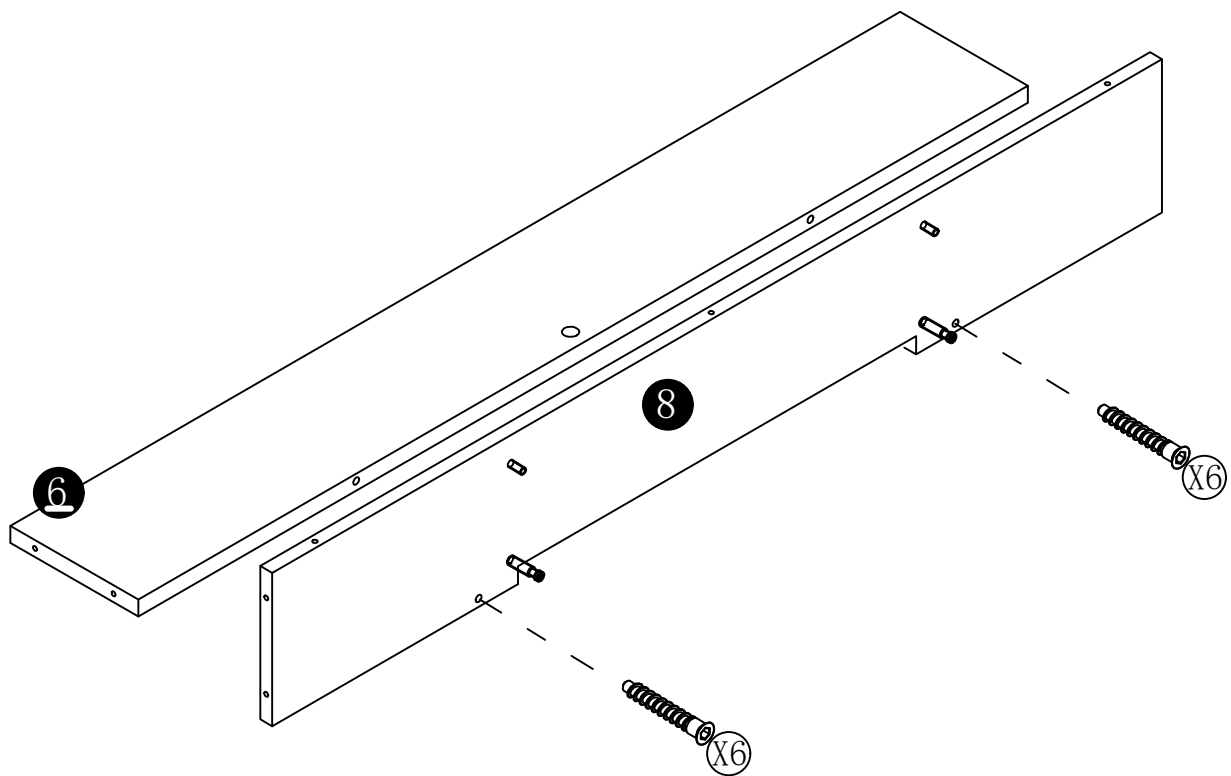
# step1

X7	X10
	
2PCS	2PCS



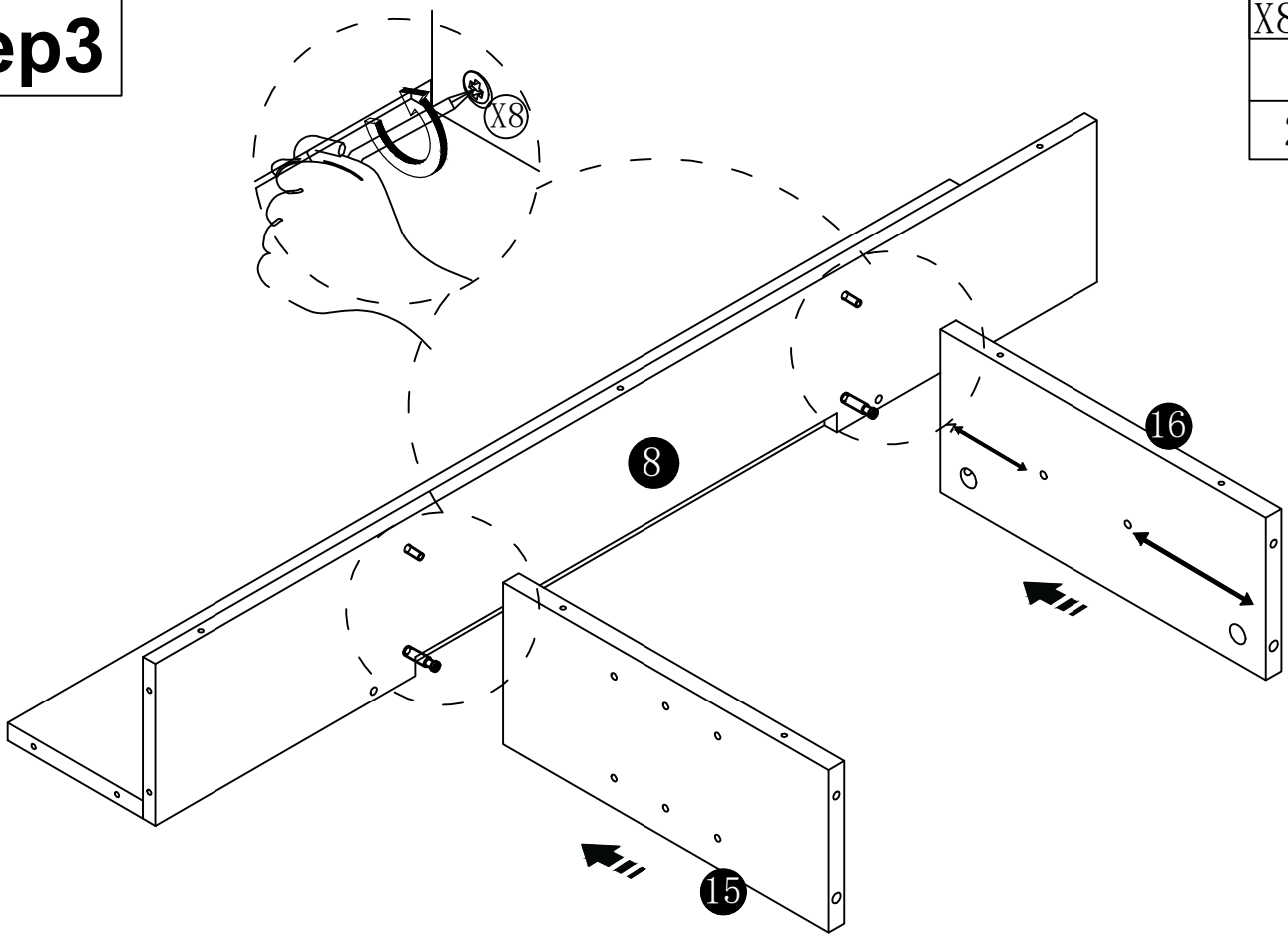
# step2

X6

2PCS





# step3

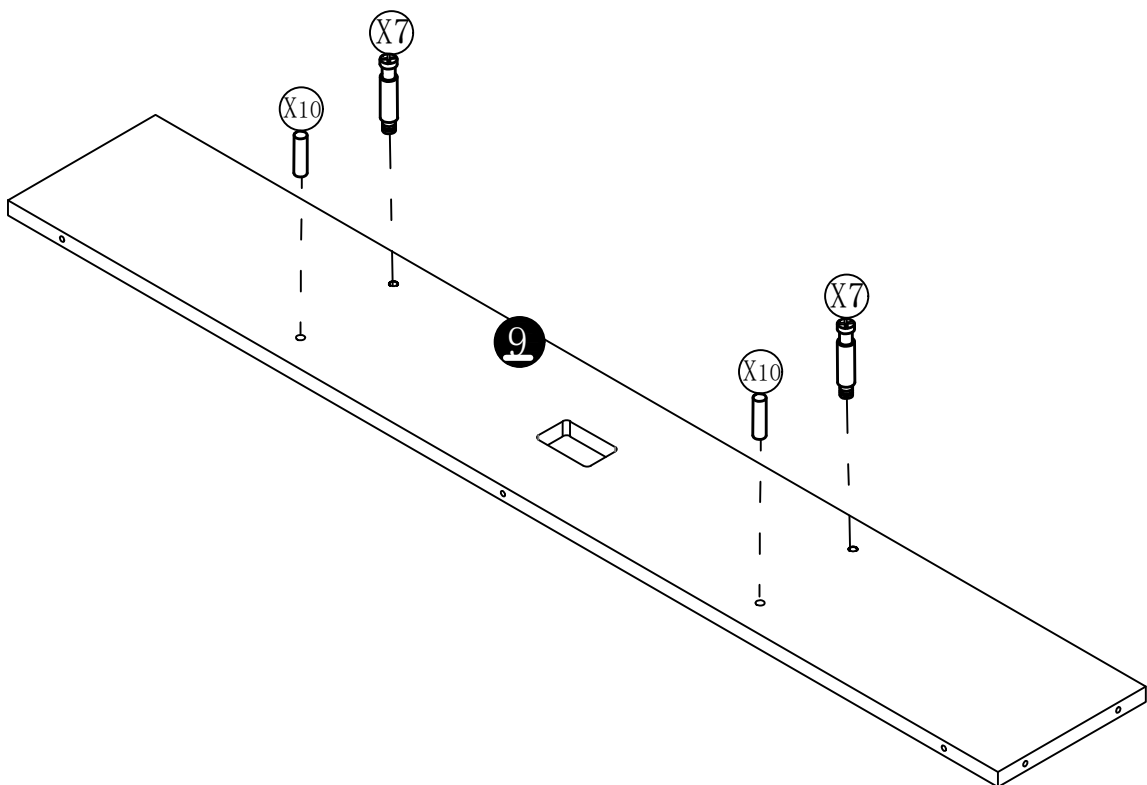
X8	
2PCS	



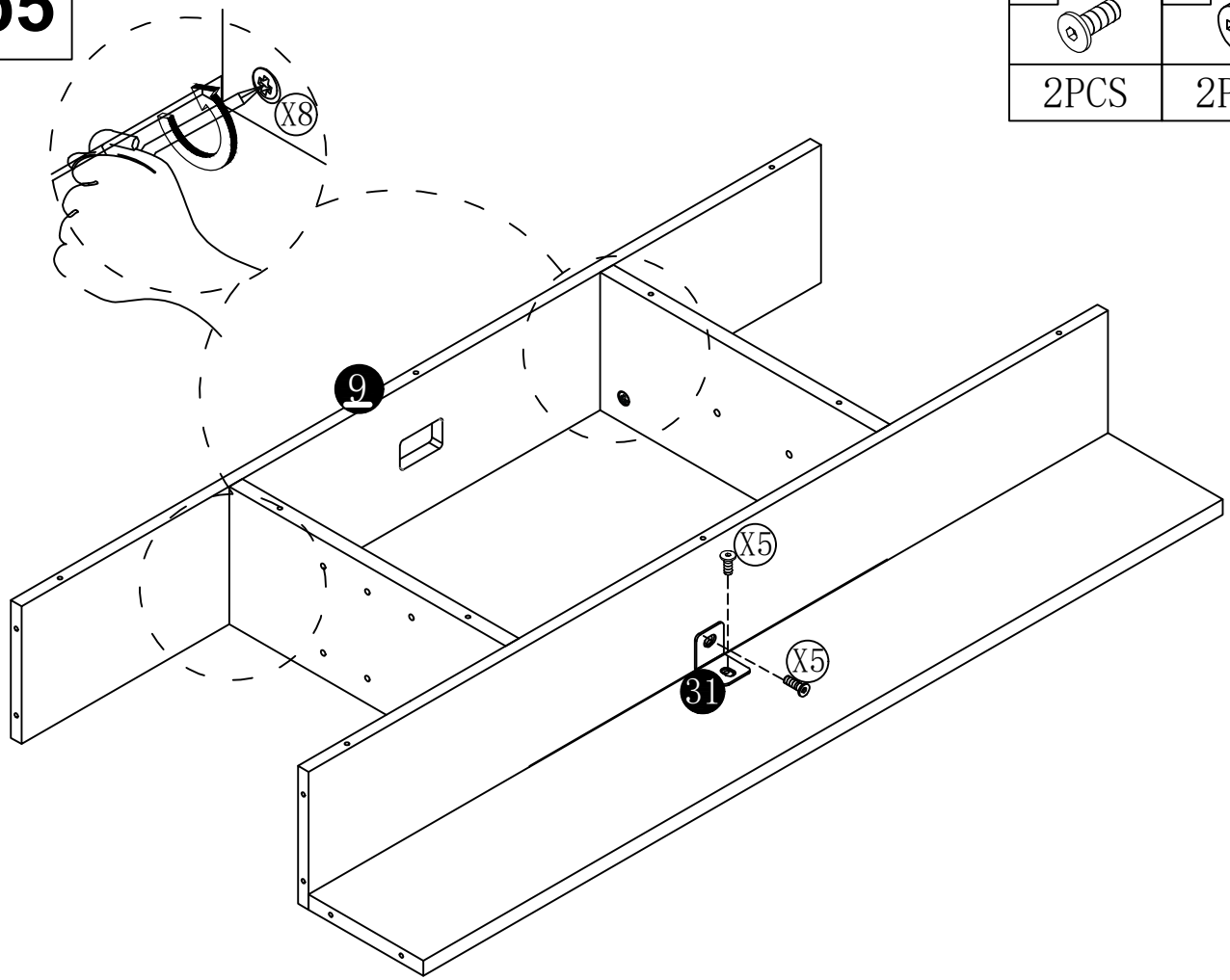
15.16 Attention to hole orientation for components

# step4

X7		X10	
2PCS		2PCS	



# step5



X5



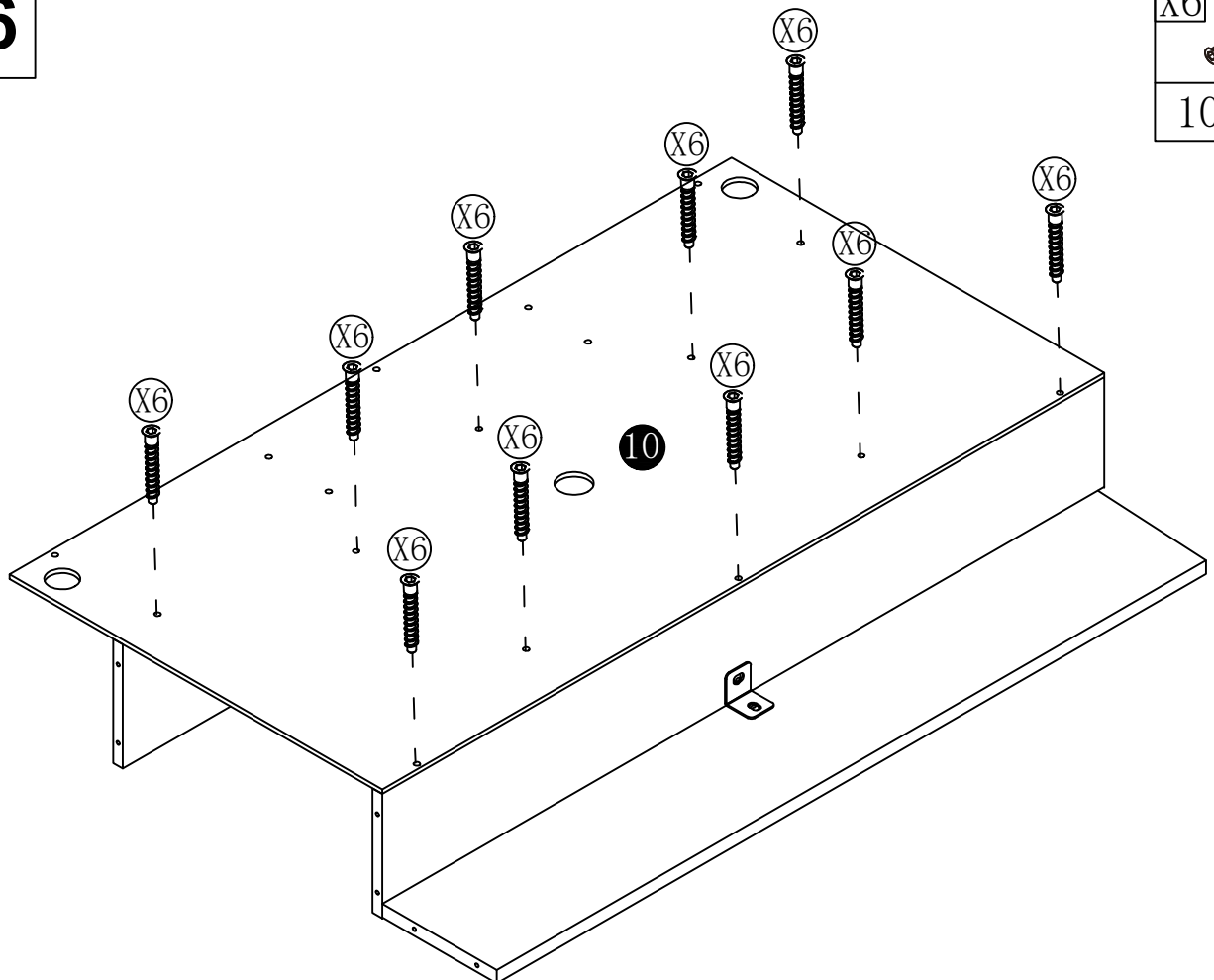
2PCS

X8



2PCS

# step6



X6



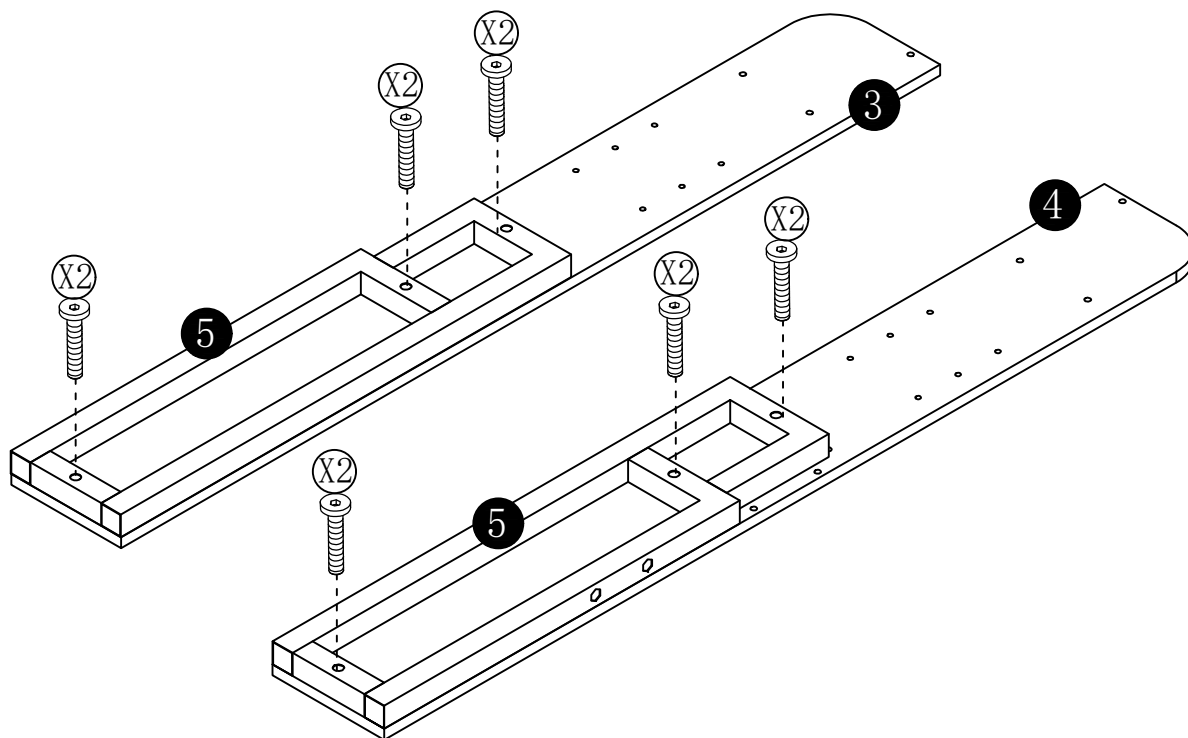
10PCS

# step7

X2



6PCS

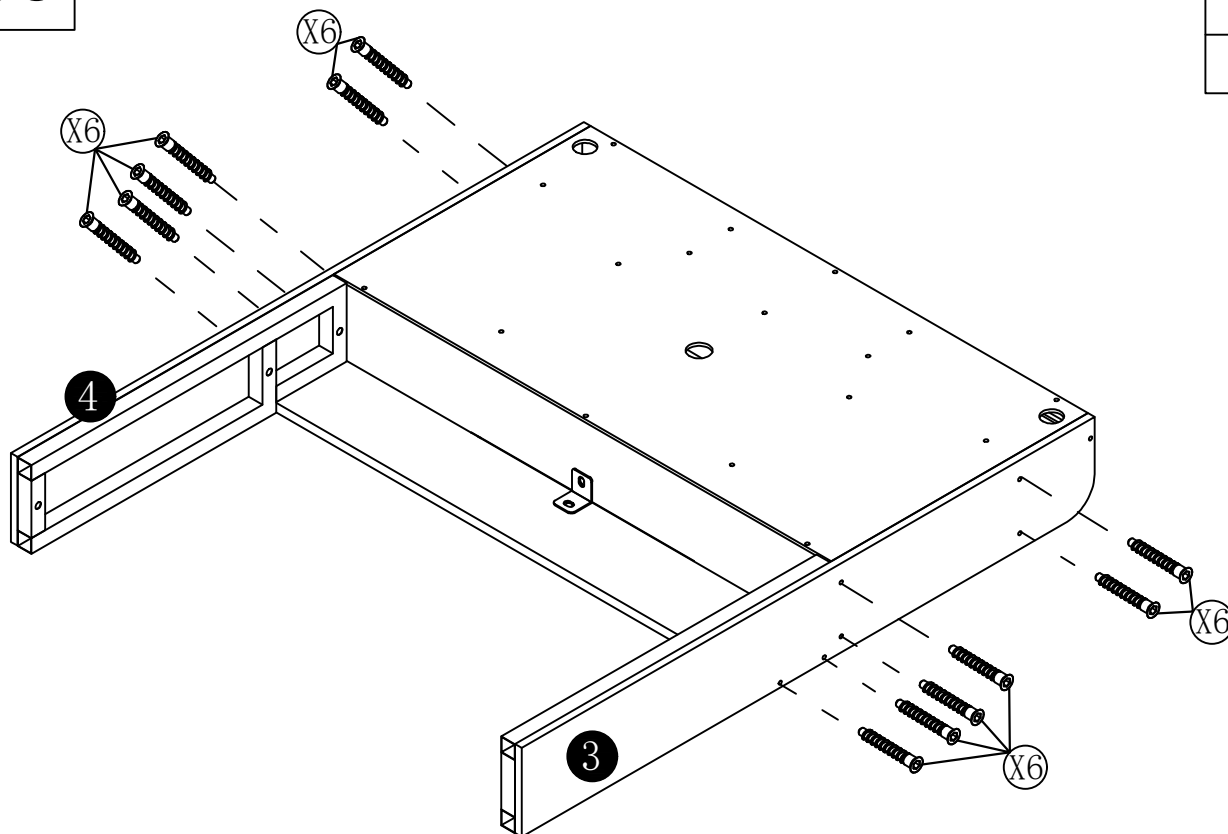


# step8



X6

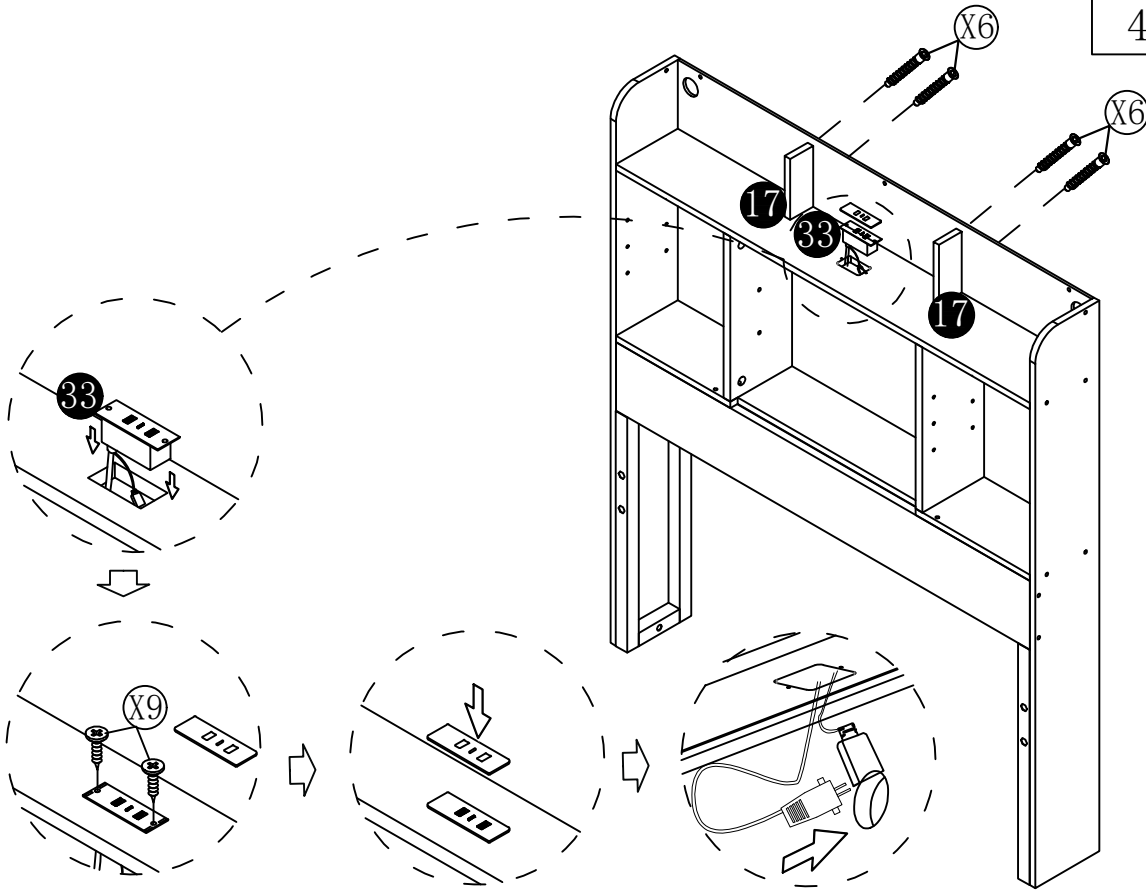


12PCS

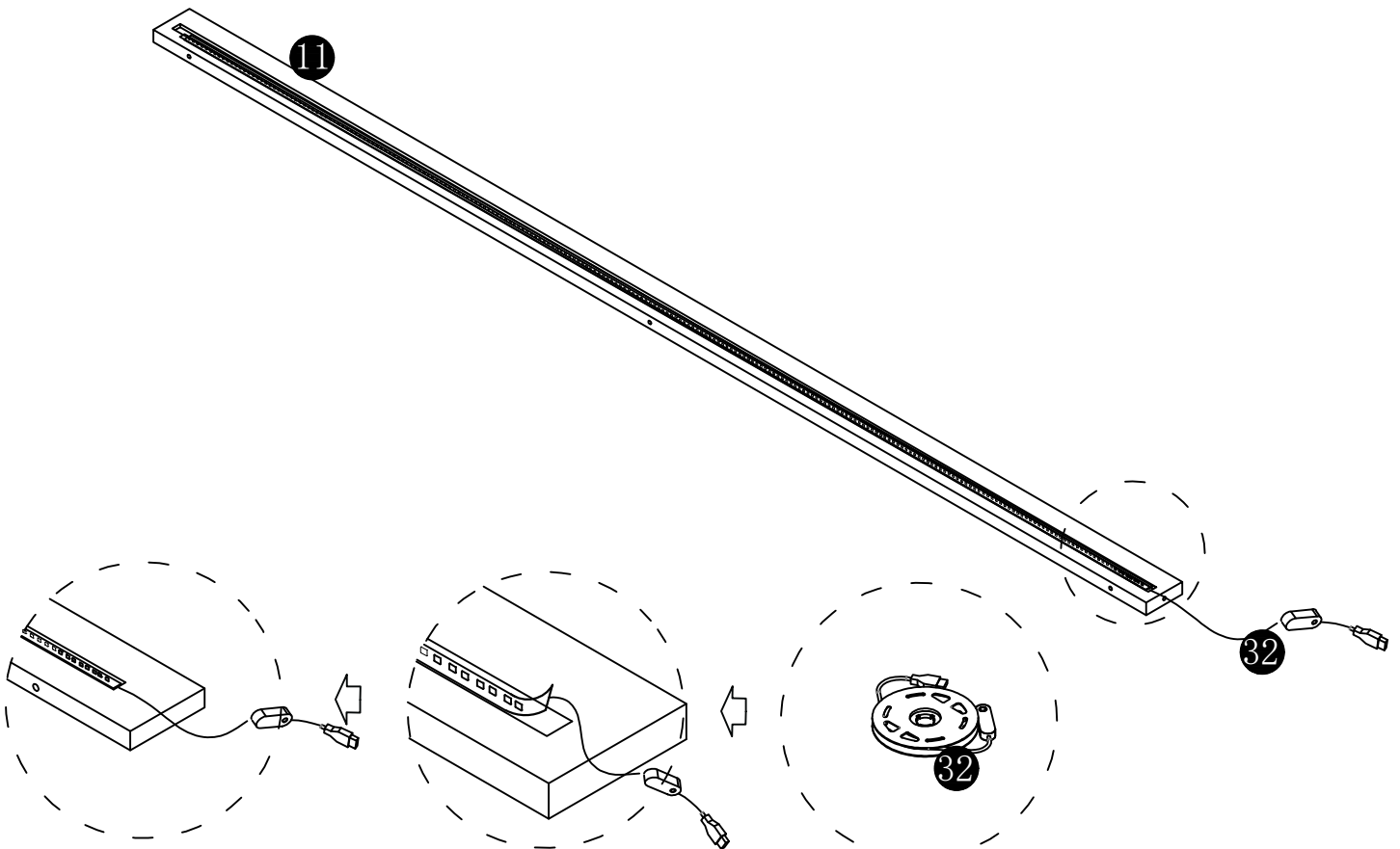


# step9

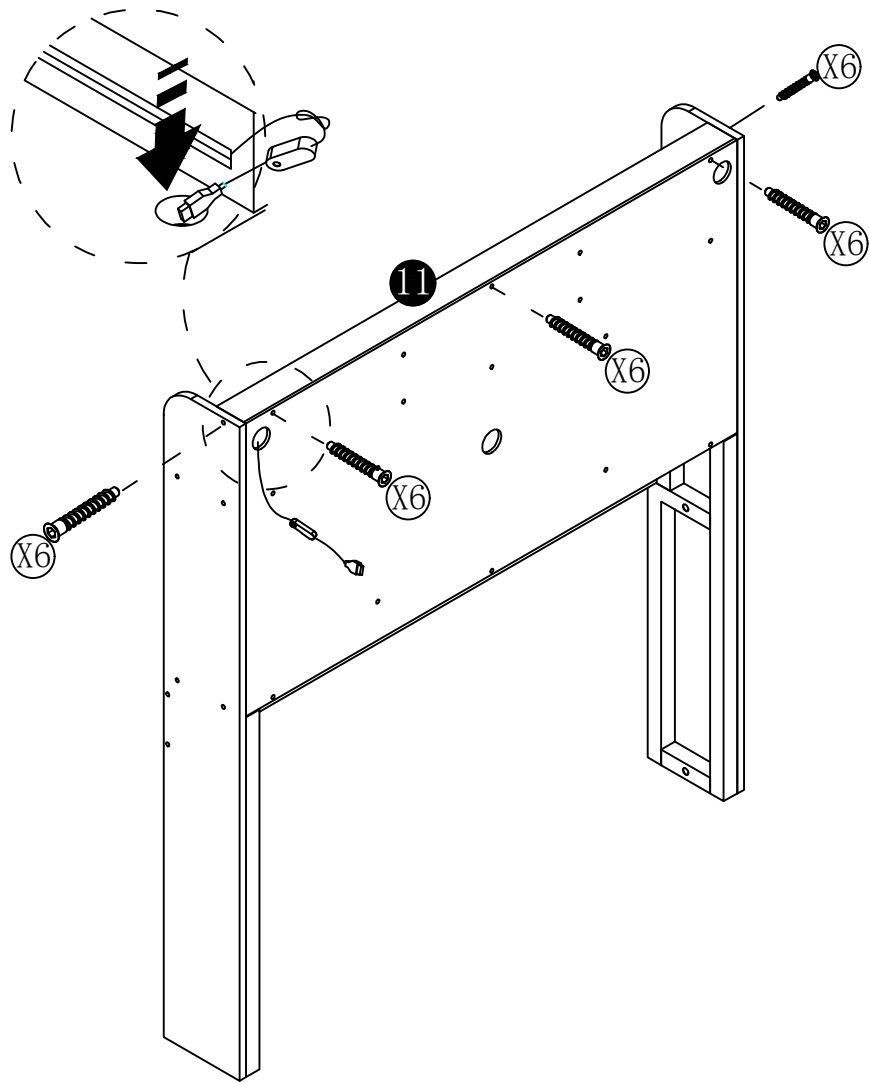
X6		X9	
4PCS		2PCS	



# step10

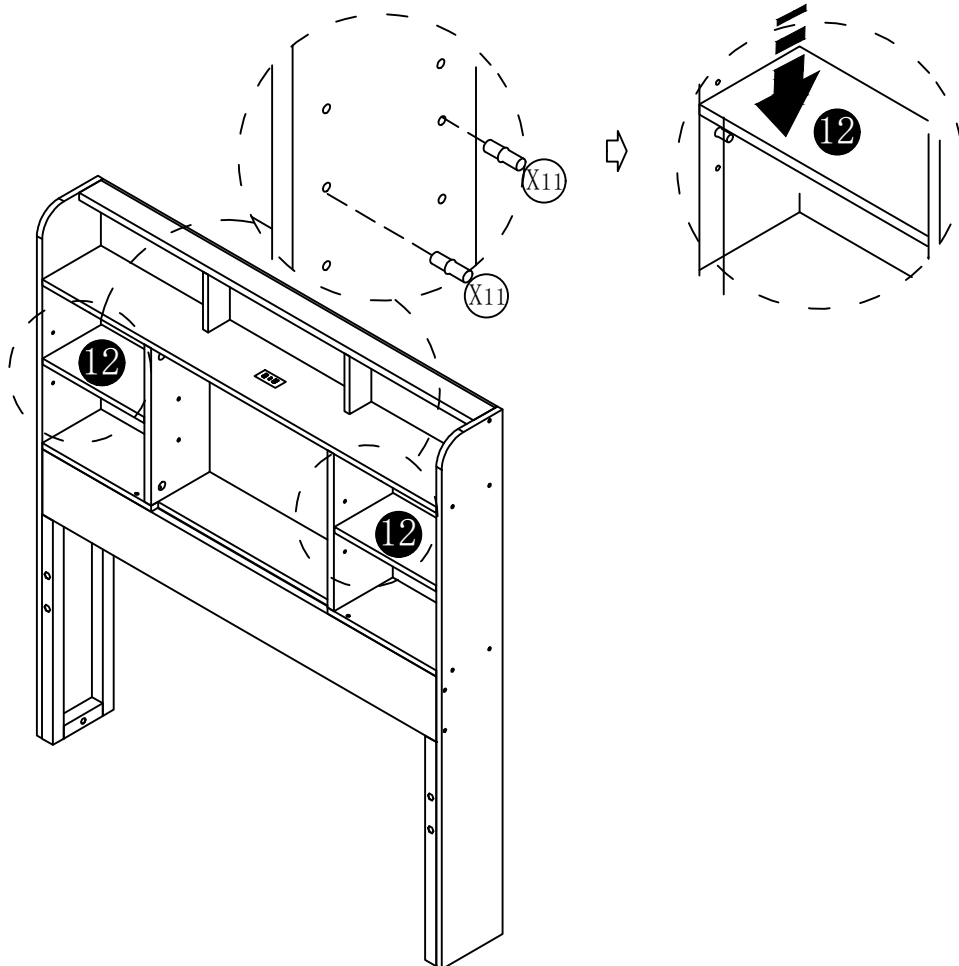


# step11



X6  
5PCS

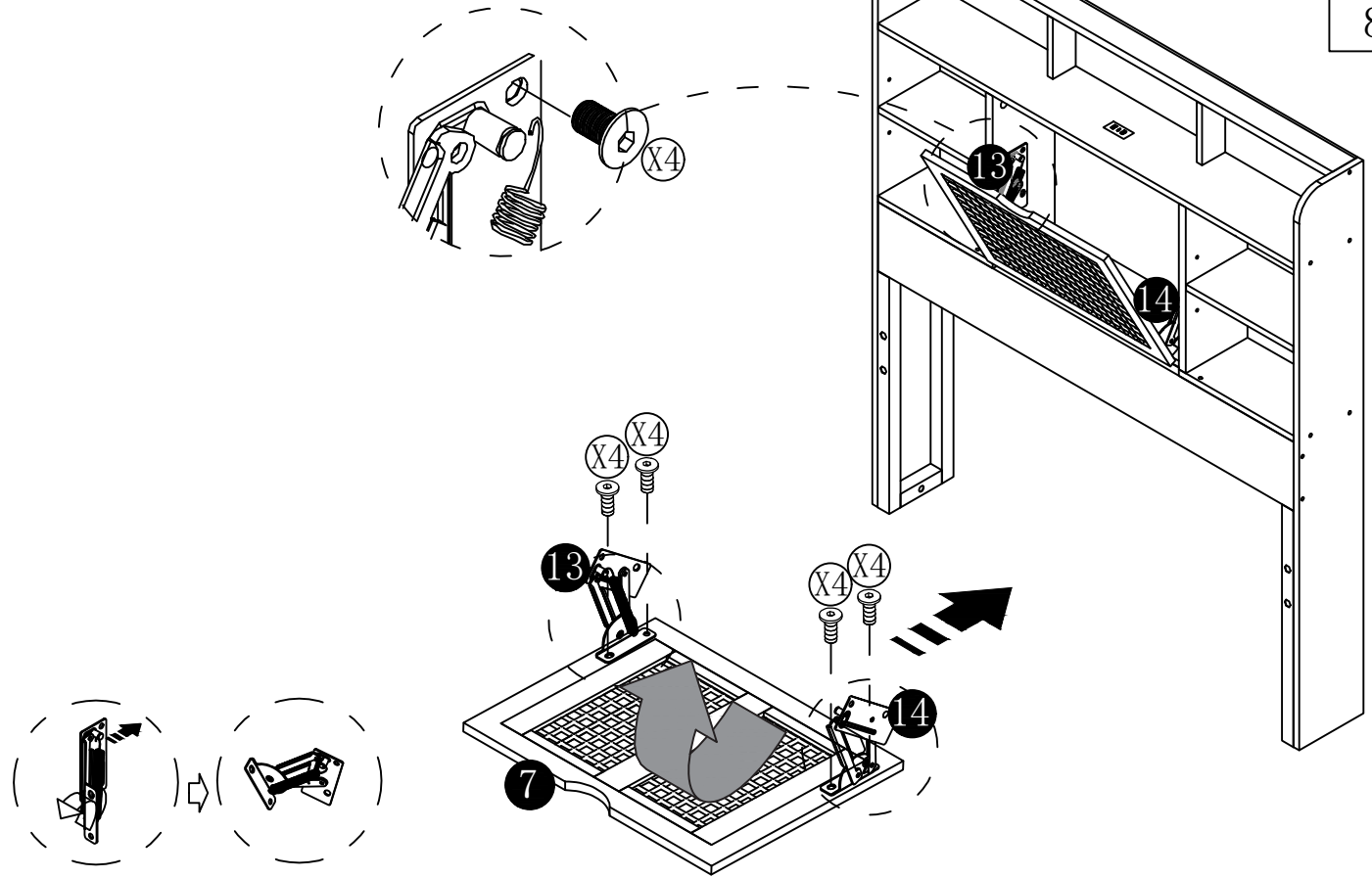
# step12



X11  
8PCS

# step13

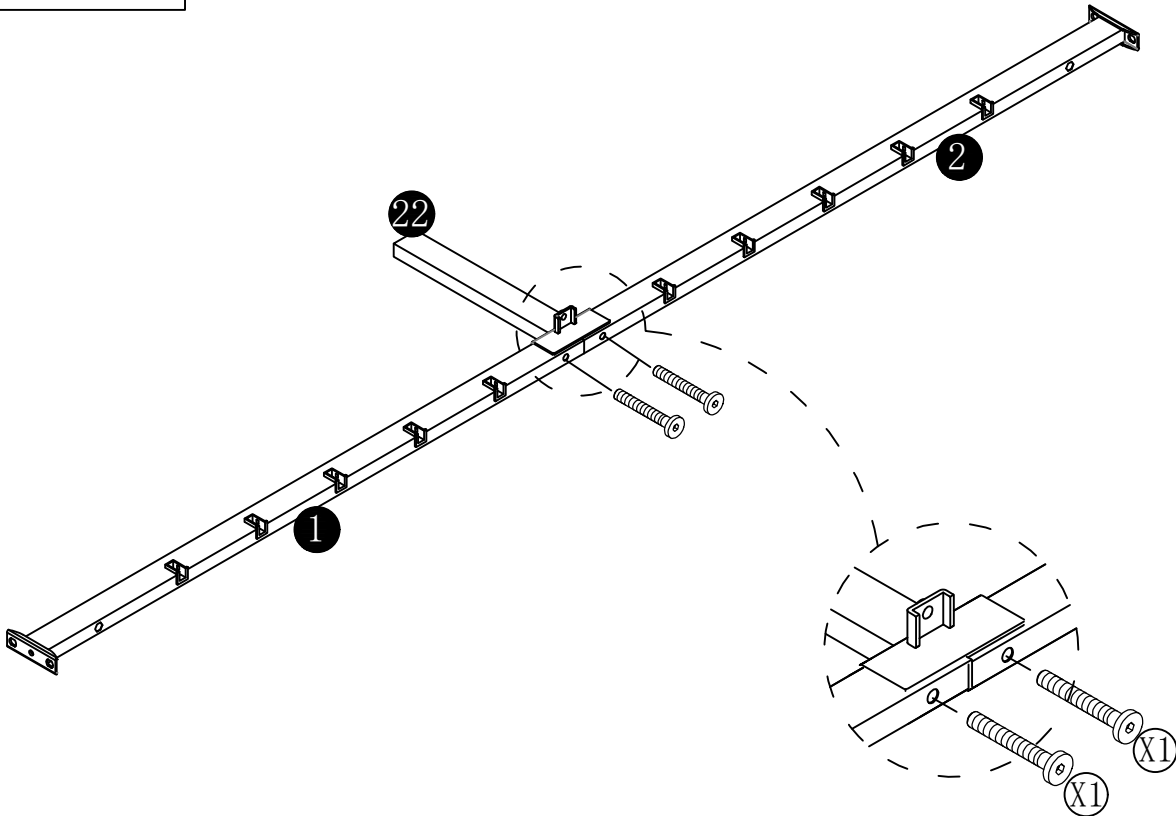
X4  
8PCS



13, 14 products, two arrow direction parts with open, pay attention to the clip hand.

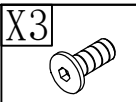
# step14

X1  
4PCS

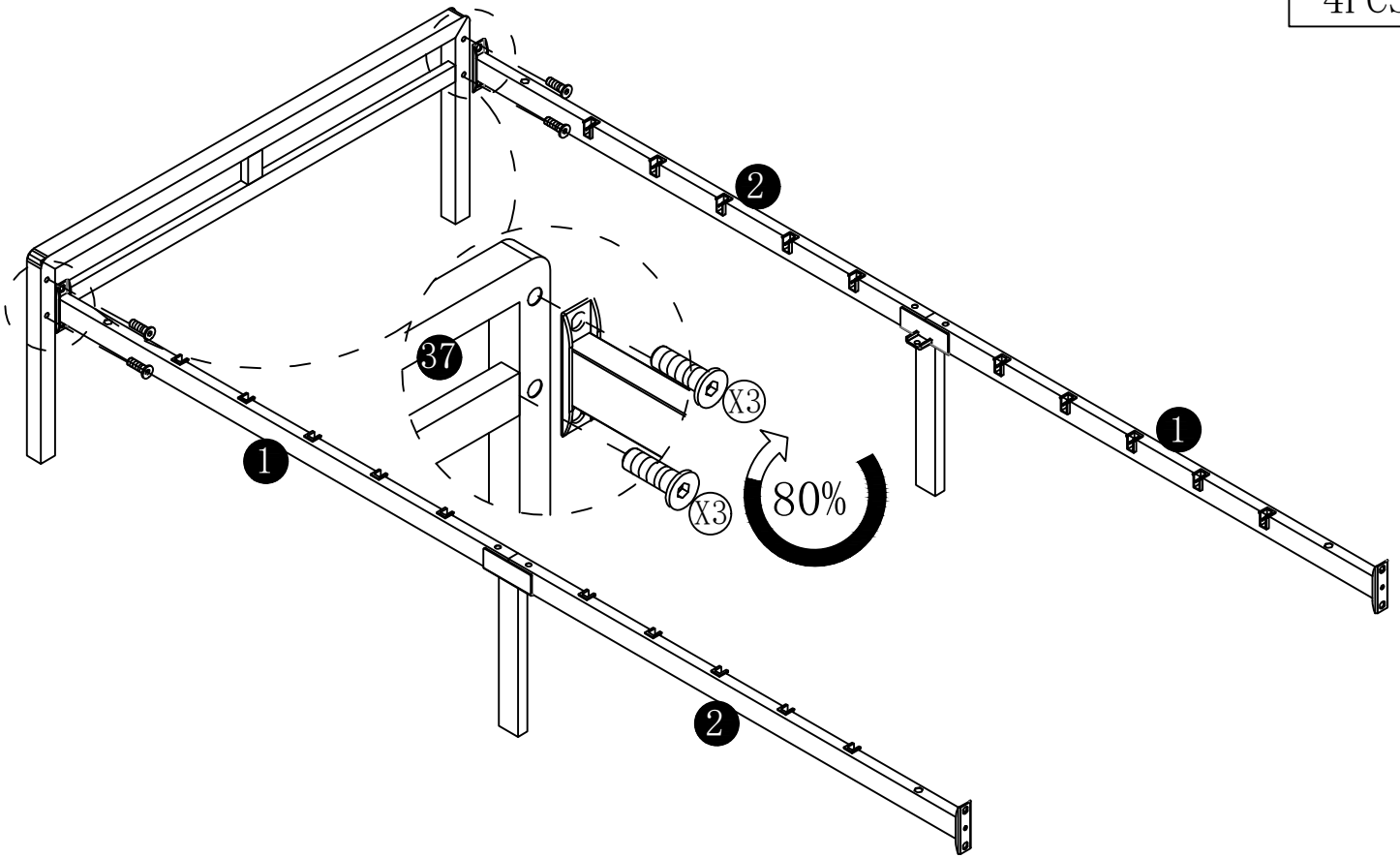


x2

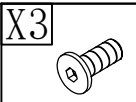
# step15



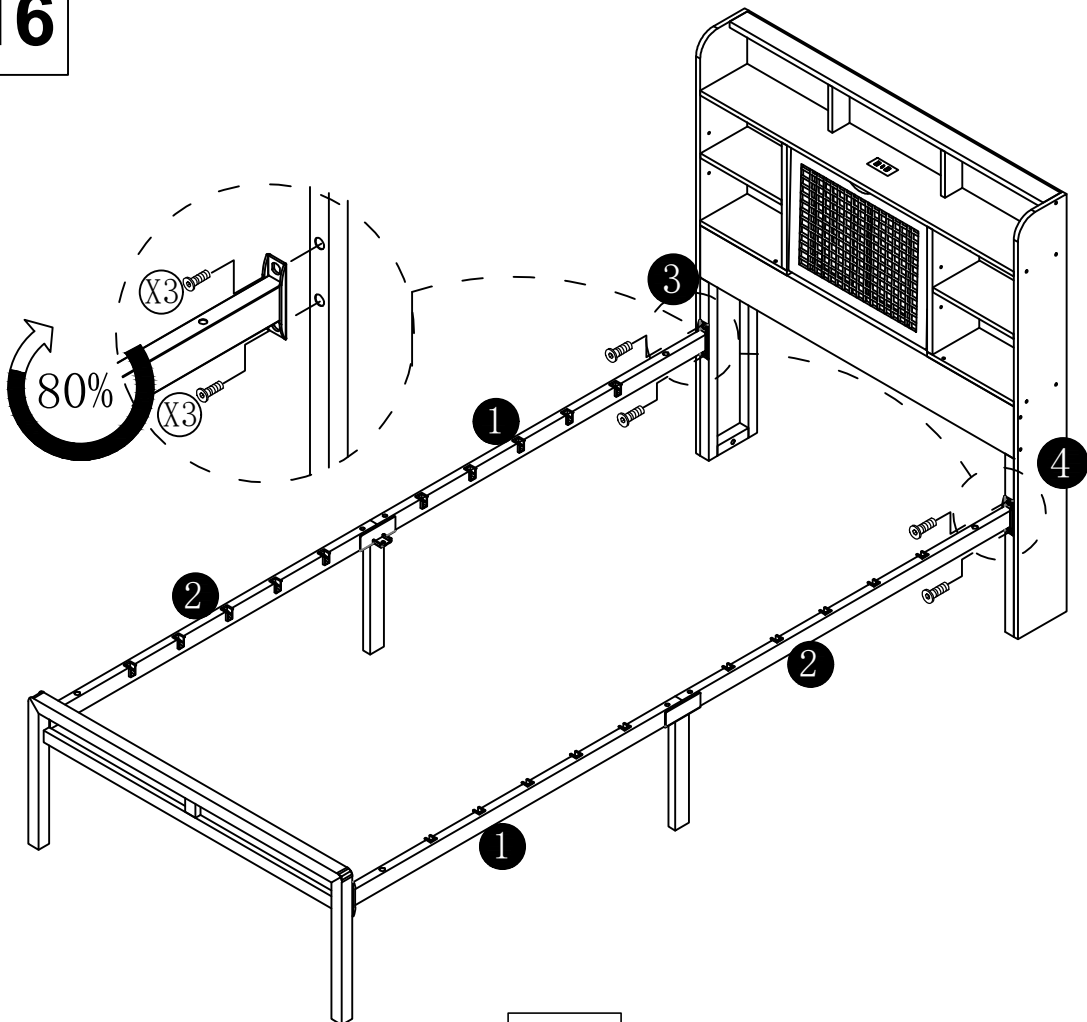
4PCS



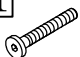

# step16

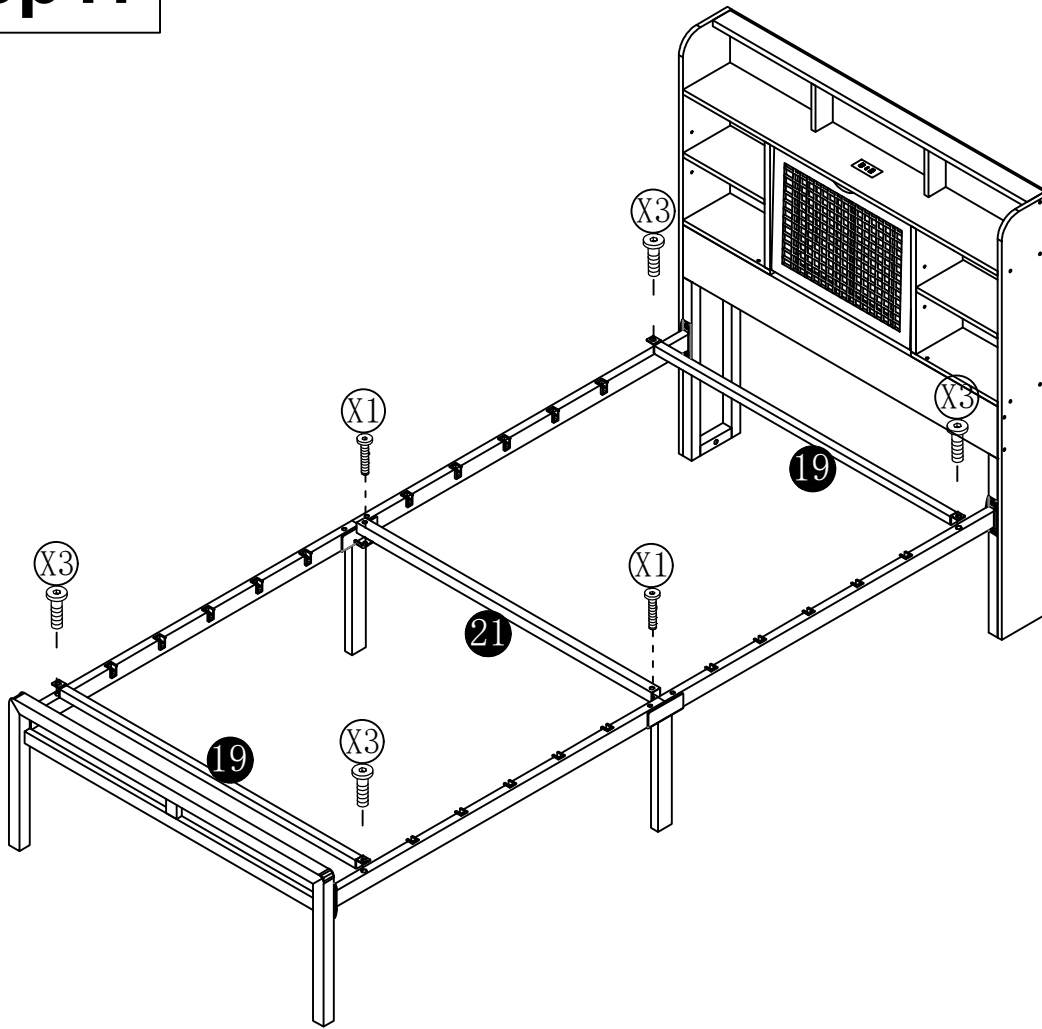


4PCS

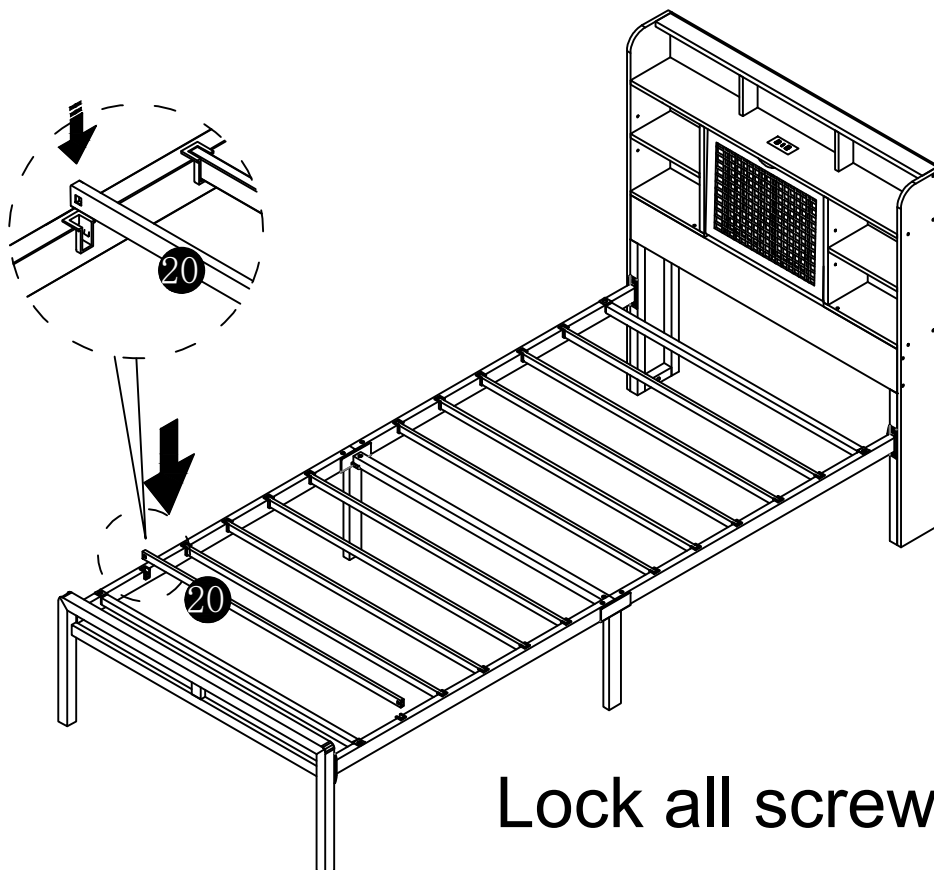


# step17

X1	X3
	
2PCS	4PCS

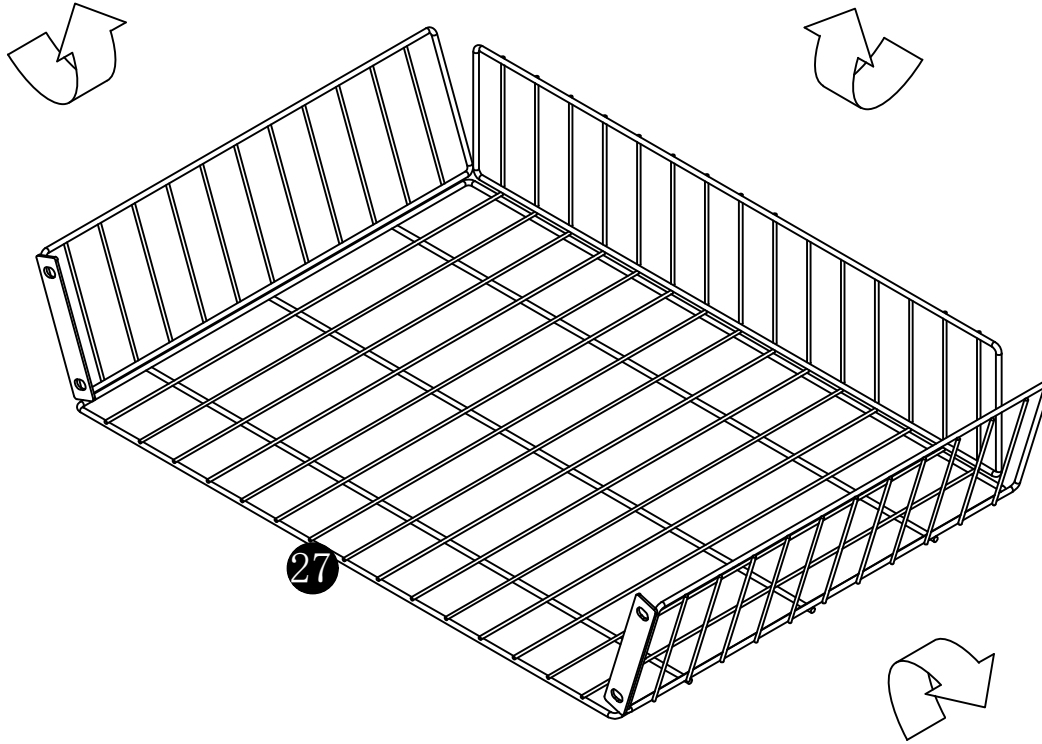


# step18

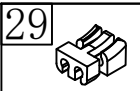
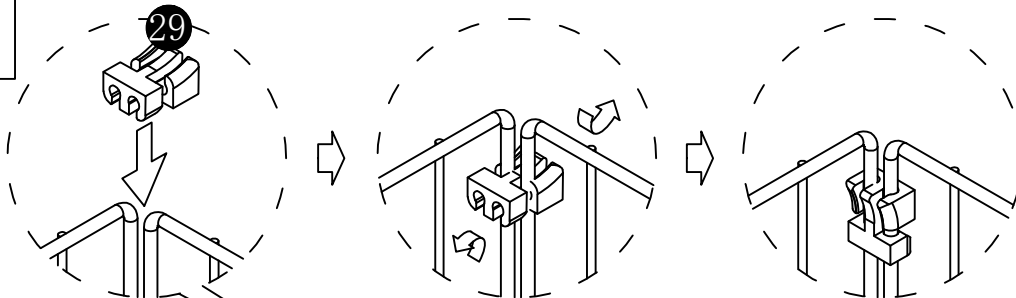


Lock all screws tightly

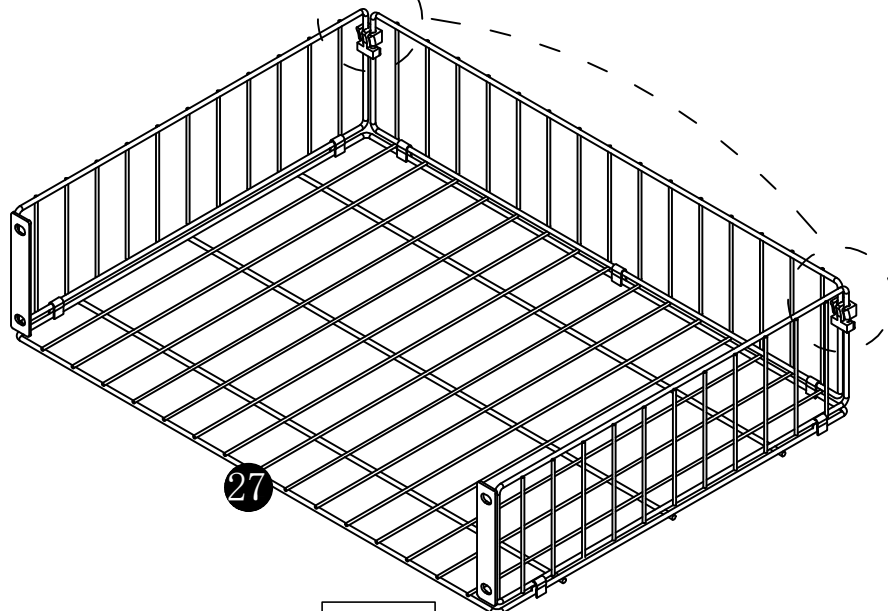
# step19



# step20



2PCS



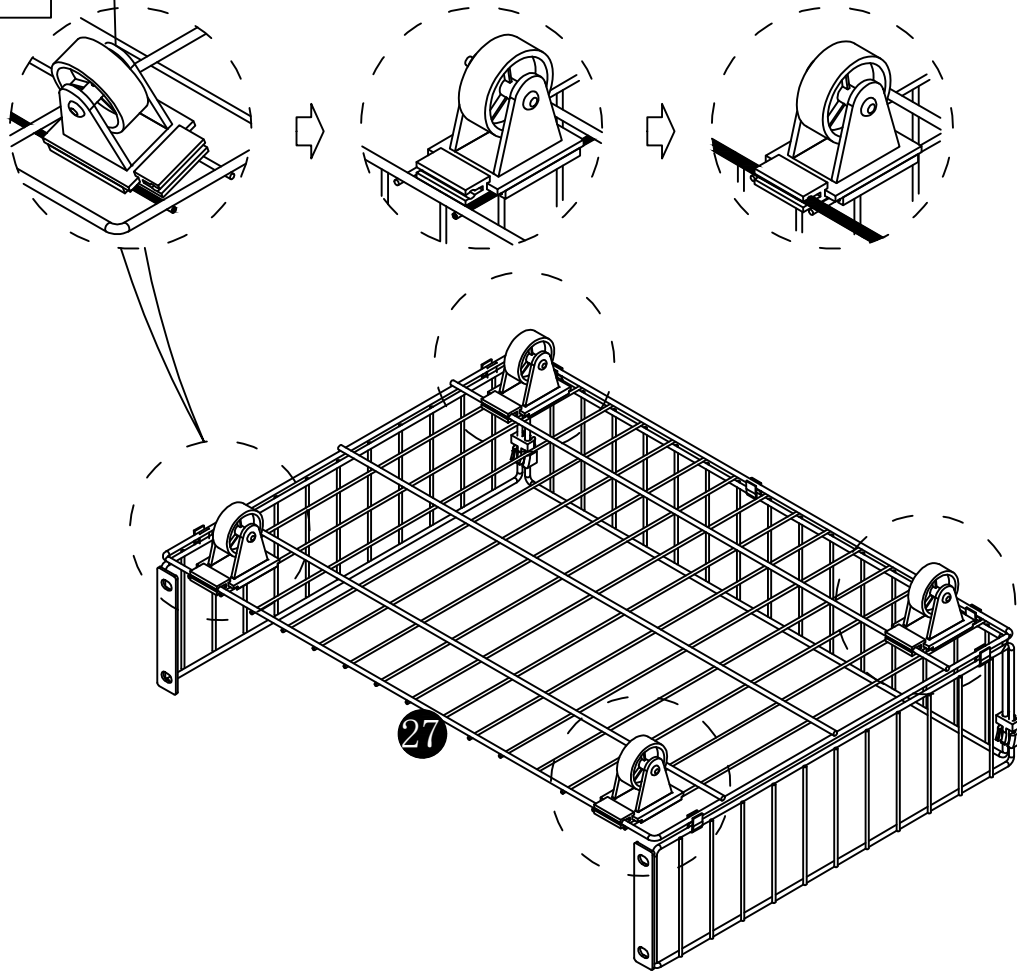
# step21

28

28



4PCS



# step22

30

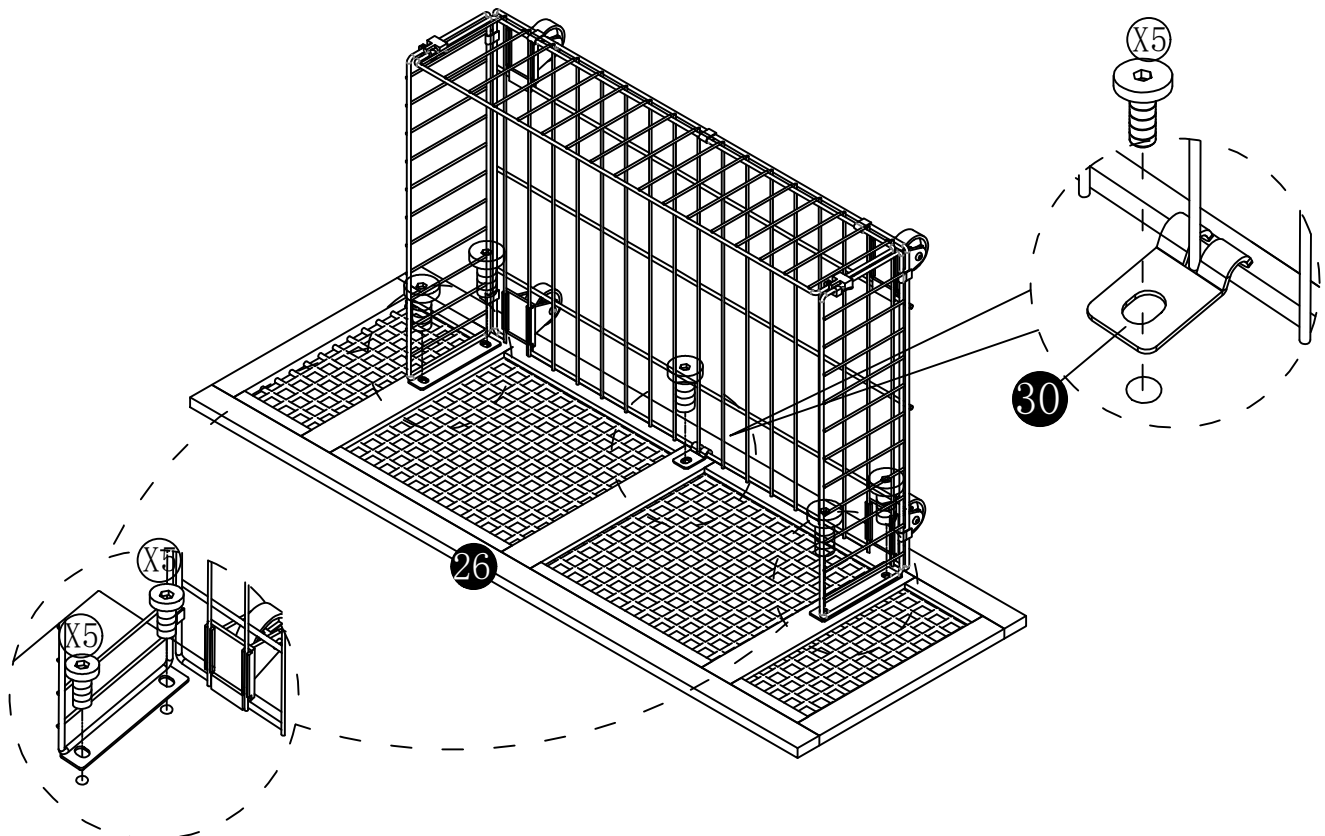


1PC

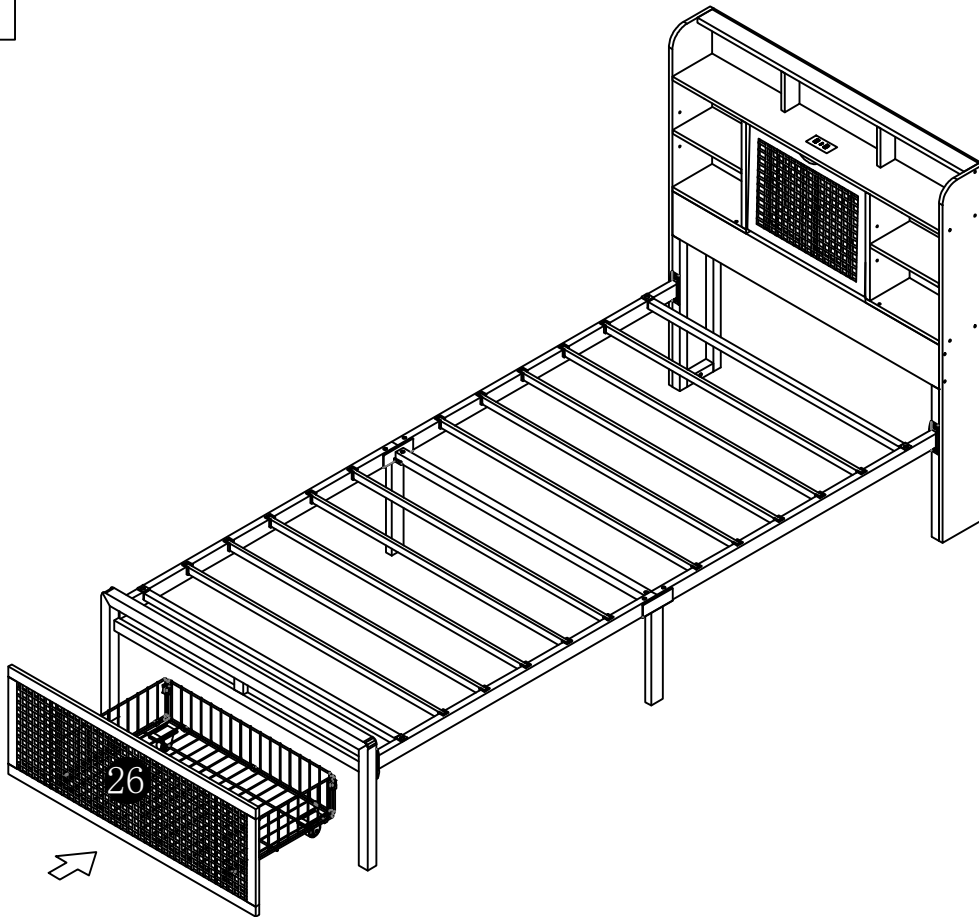
X5



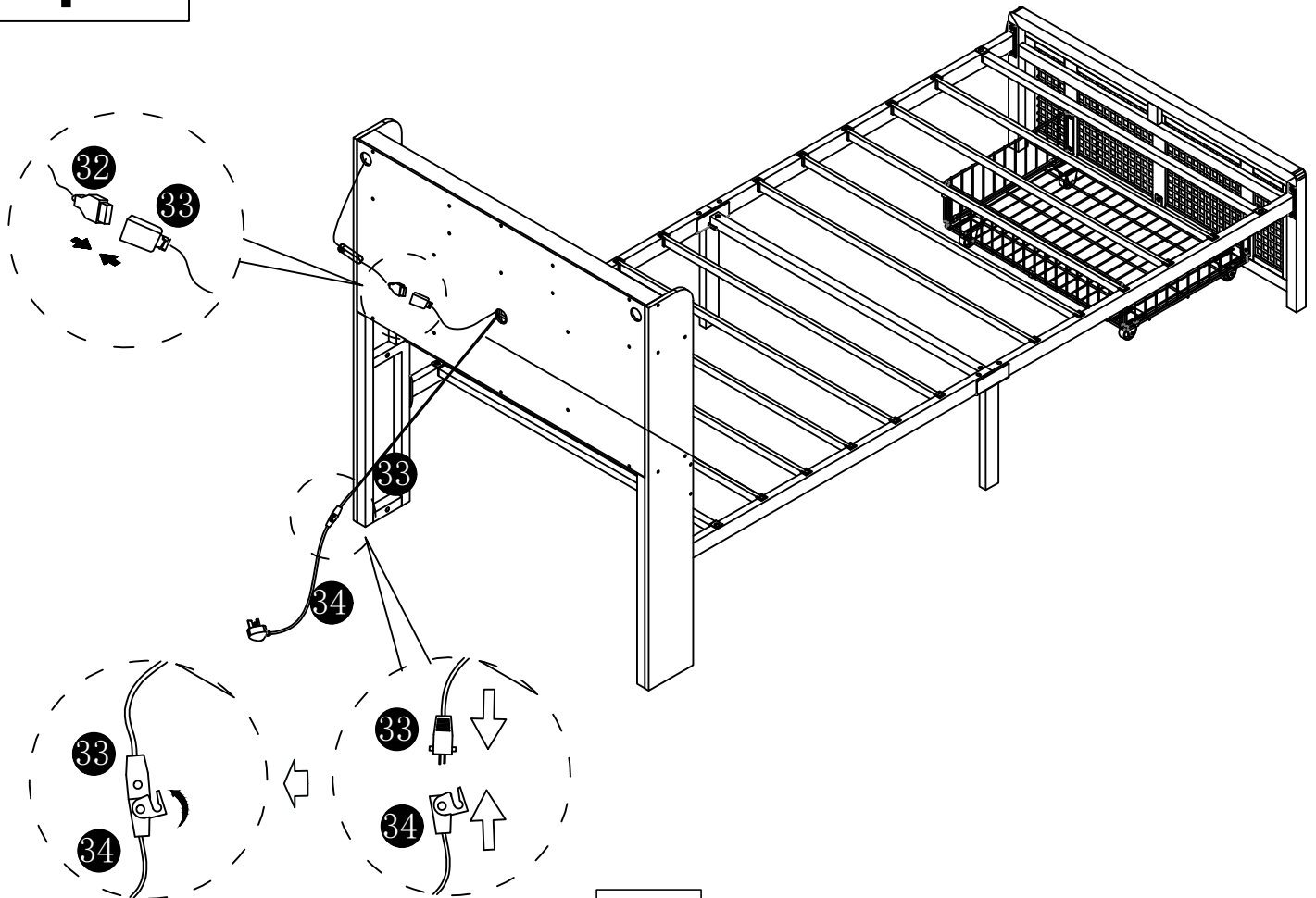
5PCS



# step23



# step24



# LotusLantern APP Manual

## 1. Software Overview

### 1.1 Overview

LotusLantern is a mobile APP to control LED strip by both IOS and Android phones.

The traditional control ways like infrared, 433MHz, 2.4GHz and others old wired ways will be replaced by mobile phone control way with convenient, powerful and scalable features.

Through this mobile APP , you can not only control the color, brightness and color temperature of the LED strips but also set up all kinds of fancy flash mode ; Also this APP can change the light of the LED strip according to the rhythm of the music. This APP can set and control several LED strips through Bluetooth and the operation is very simple, easy to learn and easy to use.

### 1.2 Features

- Adjust color LED strips with 60,000 colors to change color and brightness and adjust monochrome LED strips to change brightness and color temperature
- Play music or turn on a sound playback device, you can let the light change the color and brightness with the rhythm of music, the music rhythm beautiful
- Inside multiple setting mode for color change and control LED strips without mobile
- Long distance control with omni-directional antenna, and many-to-many group control mode
- Once the connection is successful, connect automatically next time

### 1.3 Performance

LotusLantern APP is easy for use as well as great compatible with all kinds of smart phones; After the actual test of hundreds of mobile phones verification, the compatibility is above 95% of mobile phones in the market. APP is small and convenient, it consumes less system resources, so the requirements of the mobile configuration are low. Control delay is small, the operation feels good, light control is smooth with people's visual sense.

## 2. Operating Environment

This APP program requires phones of system above Andriod 4.3 and iOS 8.0. Mobile phone configuration is not limited.

## 3. Instructions

Note: Android version and iOS version download and use the same method, here in the Android version as an example.

### 3.1 APP Download

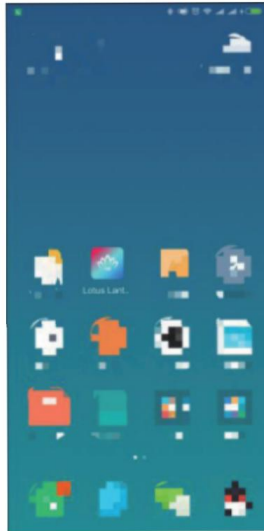
Scan the QR code

iOS and Android systems can download the "LotusLantern" APP by scanning the QR code. Open the browser or other tools with "Scan QR code" function, scan the "LotusLantern" QR code as below:

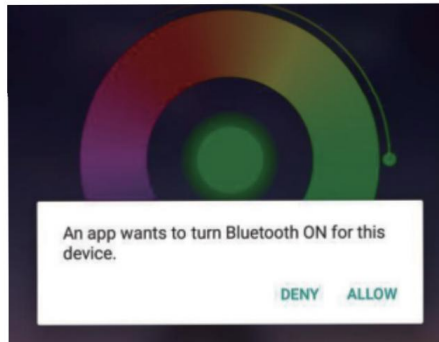


### 3.2 App Operation

(1) Click on the LotusLantern APP icon, enter the APP page:



(2) After entering the APP interface, if Bluetooth is not enabled, "an application wants to enable the Bluetooth function of this device." Click [Allow]



(3) switch to color and brightness interface:

Click to show the lamp list

Switch the color wheel

Display the RGB value  
Click to manual adjustment view

Click to shift the interface

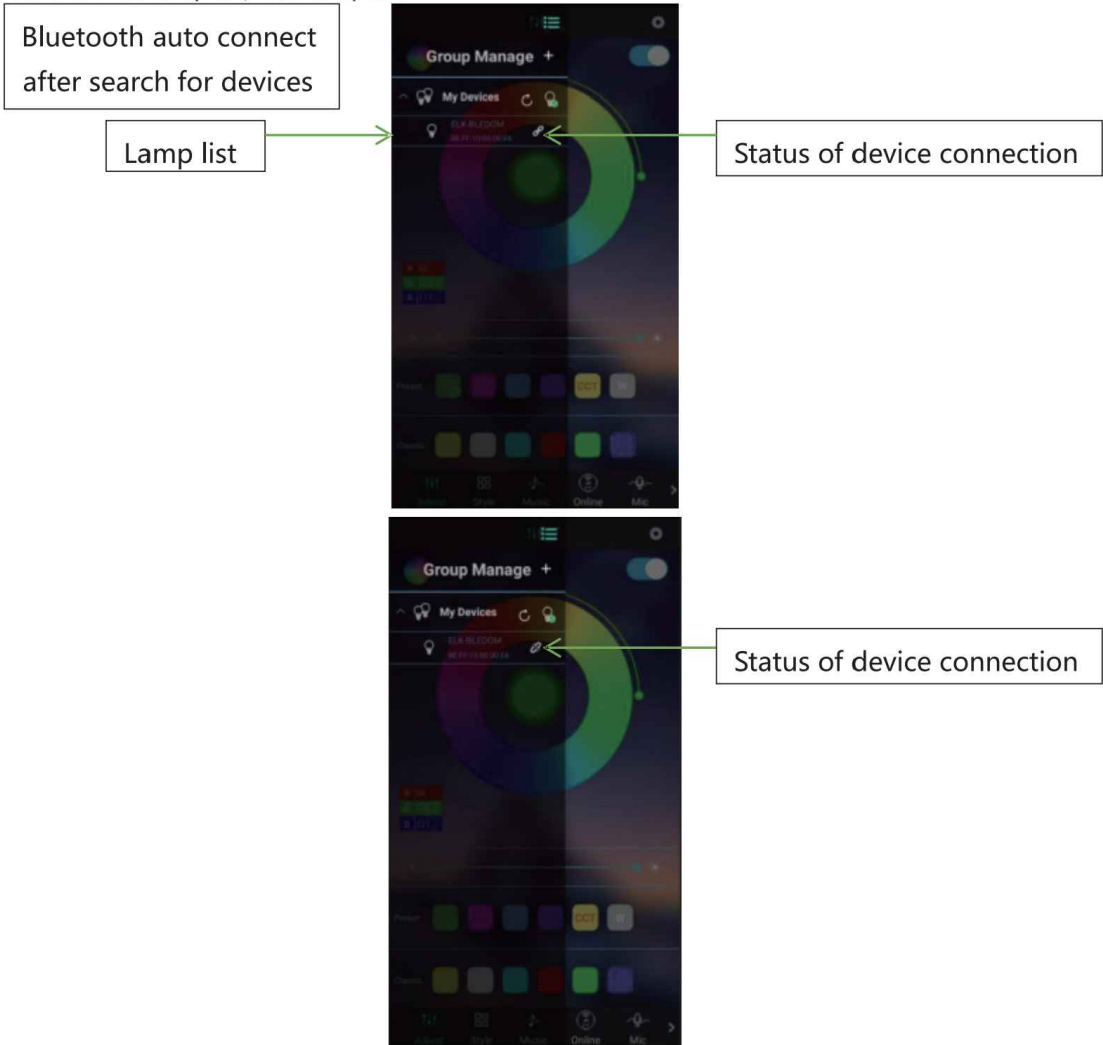
Click to display setting view

Lamp switch button

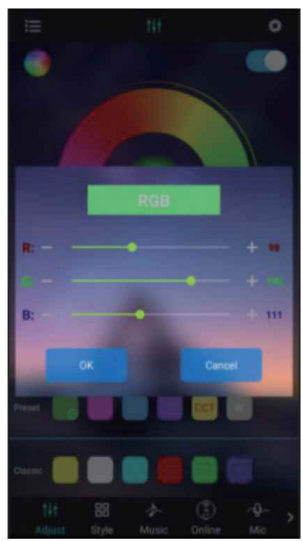
Adjust the color

Click square icon to adjust the color

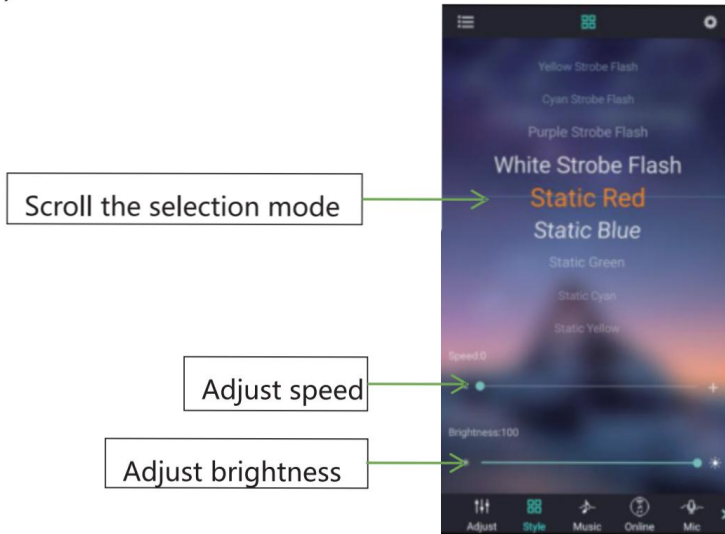
( 4 ) click to show the lamp list, view lamp list:



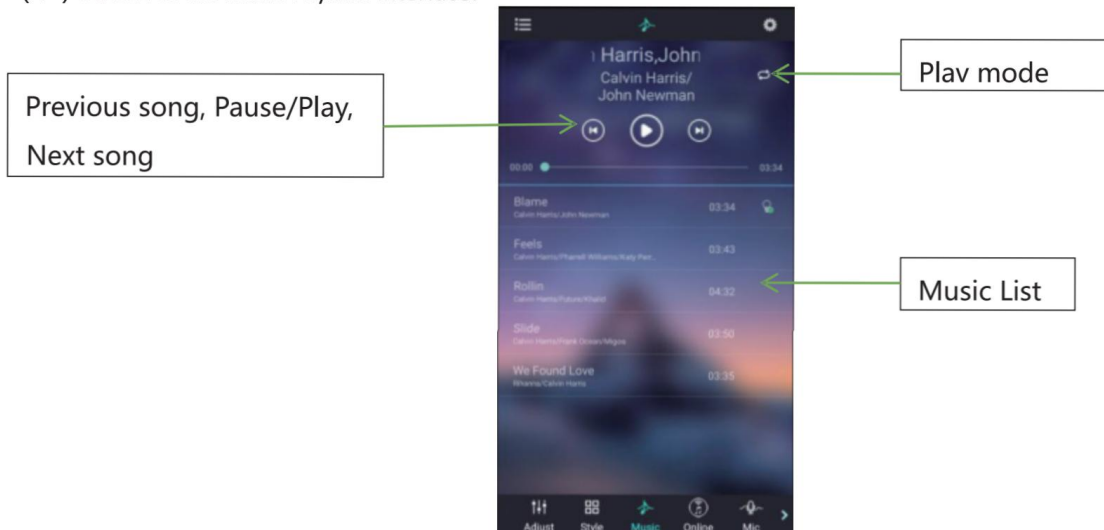
( 5 ) Click to RGB manual adjustment view:



( 6 ) switch to the mode interface:



( 7 ) switch to the music rhythm interface:

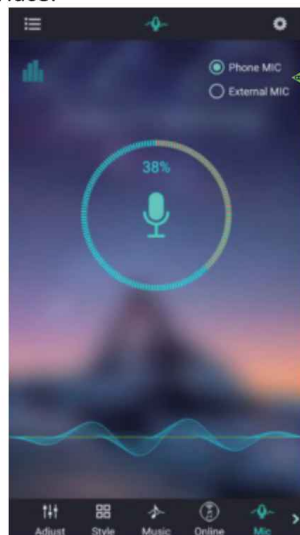


( 8 ) Switch to the online music interface:



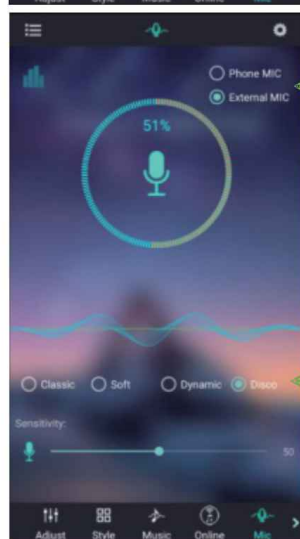
( 9 ) Switch to the microphone rhythm interface:

Music rhythm through cell phone microphone



Switch phone microphone and external microphone

Music rhythm through the microphone on the product

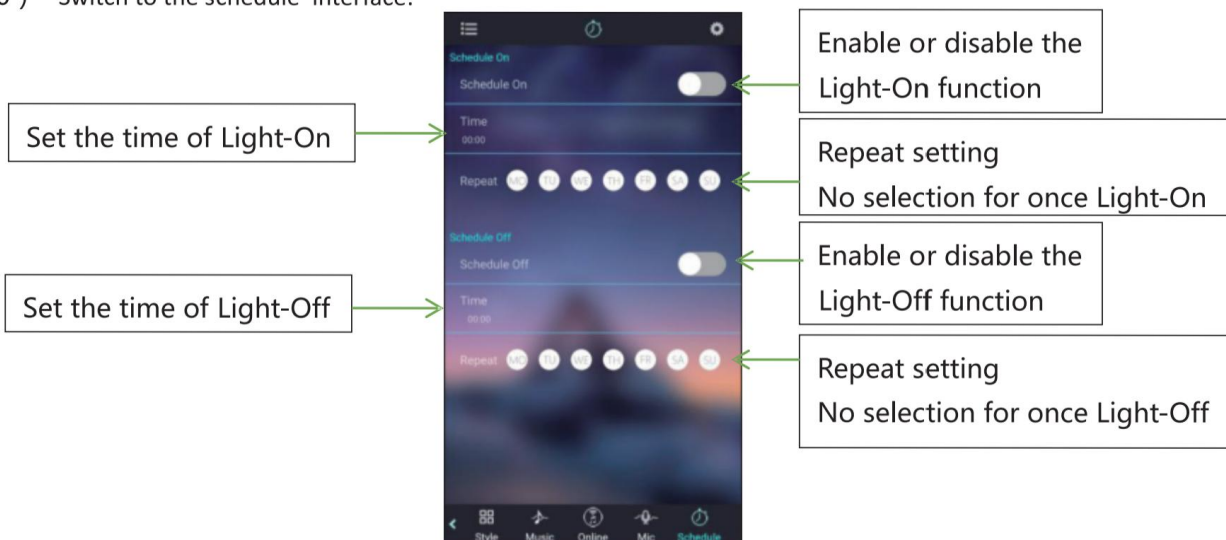


Switch phone microphone and external microphone

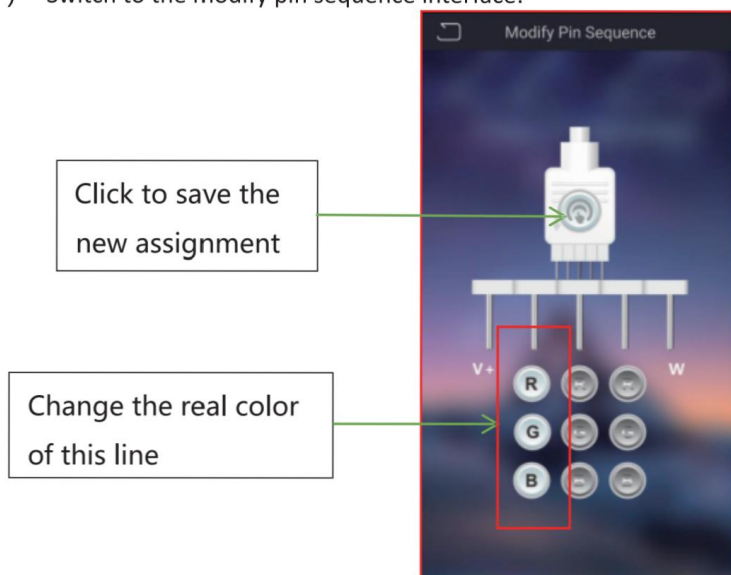
4-style rhythm

Change the sensitivity of MIC to match the sound

( 10 ) Switch to the schedule interface:



( 11 ) Switch to the modify pin sequence interface:



**Technical parameters:**

Working temperature: -20-60°C (-4 F°-140 F°)

Power supply voltage: DC5-24V

Output: 3 Loops

Static power consumption: <0.5W

Output current: <3A(each circuit)5V <30W 12V <108 24V <21 6W



KeySense Testing & Certification International Co., Ltd.  
 1-3F, Lab Building, No.29 District, Zhongkai Hi-Tech  
 Industrial Development Park, Huizhou, Guangdong,  
 China

Tel:0752-3219929  
 Fax:0752-3219929  
<http://www.kst-cert.com>

# Technical Compliance Statement

Certificate No.: KST250307A005Q01

Report No.:KST250307A005Q01

The following products have been tested by us with the listed standards and found in compliance with the council UK EMC Regulations (SI 2016/1091) .  
 It is demonstrative for the compliance with this EMC Directive.

**Holder:** DONGGUAN CITY LUCKKING ELECTRONIC CO.,LTD.

**Address:** Building 1, No.3, Qinghutou Innovation Road Tangxia Town, Dongguan City, Guangdong

**Product:** 5V-60 Piece colorful LED LED strip

**Model Name:** DZE135P

**Trade Name:** LUCKKING

Test Standard	
■ EMC	BS EN IEC 55015:2019+A11:2020 BS EN 61547:2009



**Signature:** 

**Name:** Jack.Li

**Position:** Supervisor

**Date:** March 17, 2025



The statement is based on single evaluation of one sample of above mentioned product. It does not imply an assessment of the whole production and does not permit the use of the test lab. Logo.



KeySense Testing & Certification International Co., Ltd.  
 1-3F, Lab Building, No.29 District, Zhongkai Hi-Tech  
 Industrial Development Park, Huizhou, Guangdong,  
 China

Tel:0752-3219929  
 Fax:0752-3219929  
<http://www.kst-cert.com>

# Technical Compliance Statement

Certificate No.: KST250313A001Q01

Report No.:KST250313A001Q01

The following products have been tested by us with the listed standards and found in compliance with the council UK EMC Regulations (SI 2016/1091) .  
 It is demonstrative for the compliance with this EMC Directive.

**Holder:** Dong Guan City Luckking Electronics Co.,Ltd

**Address:** Building 1, No.3, QinghutouInnovation Road Tangxia Town, Dongguan City, Guangdong

**Product:** Furniture Power Distribution Unit

**Model Name:** LKS055C

**Trade Name:** LUCKKING

Test Standard	
■ EMC	BS EN 55032:2015+A11:2020
	BS EN 55035:2017+A11:2020
	BS EN IEC 61000-3-2:2019+A2:2024
	BS EN 61000-3-3:2013+A2:2021



**Signature:** 

**Name:**

Jack.Li

**Position:**

Supervisor

**Date:**

March 17, 2025



The statement is based on single evaluation of one sample of above mentioned product. It does not imply an assessment of the whole production and does not permit the use of the test lab. Logo.