

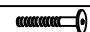
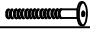


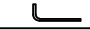

Read this instruction carefully. See hardware and furniture part list for guidance. Be sure all parts are complete, before you assemble. Place all wooden furniture parts on a clean and flat soft surface to prevent from being scratched. Follow the figure to start assembling.

CAUTIONS :

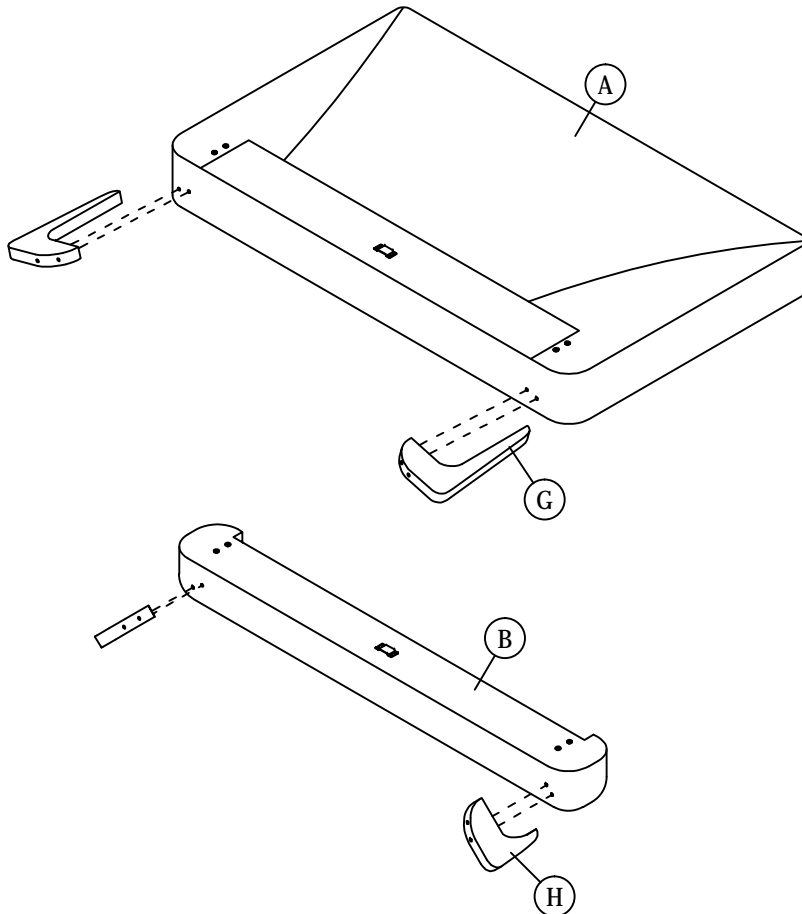
1. Do not FULLY - TIGHTEN the nut or nut bolt until all nut or bolt is ready assembled.
2. Do not OVER - TIGHTEN the nut or bolt to avoid causing damages to the thread.
3. Keep all hardware parts out of reach of children.

NOTE : THE LIST AND QUANTITY SHOWN ARE FOR 1 UNIT ASSEMBLY.
Tool needed : Screwdriver (not provider).

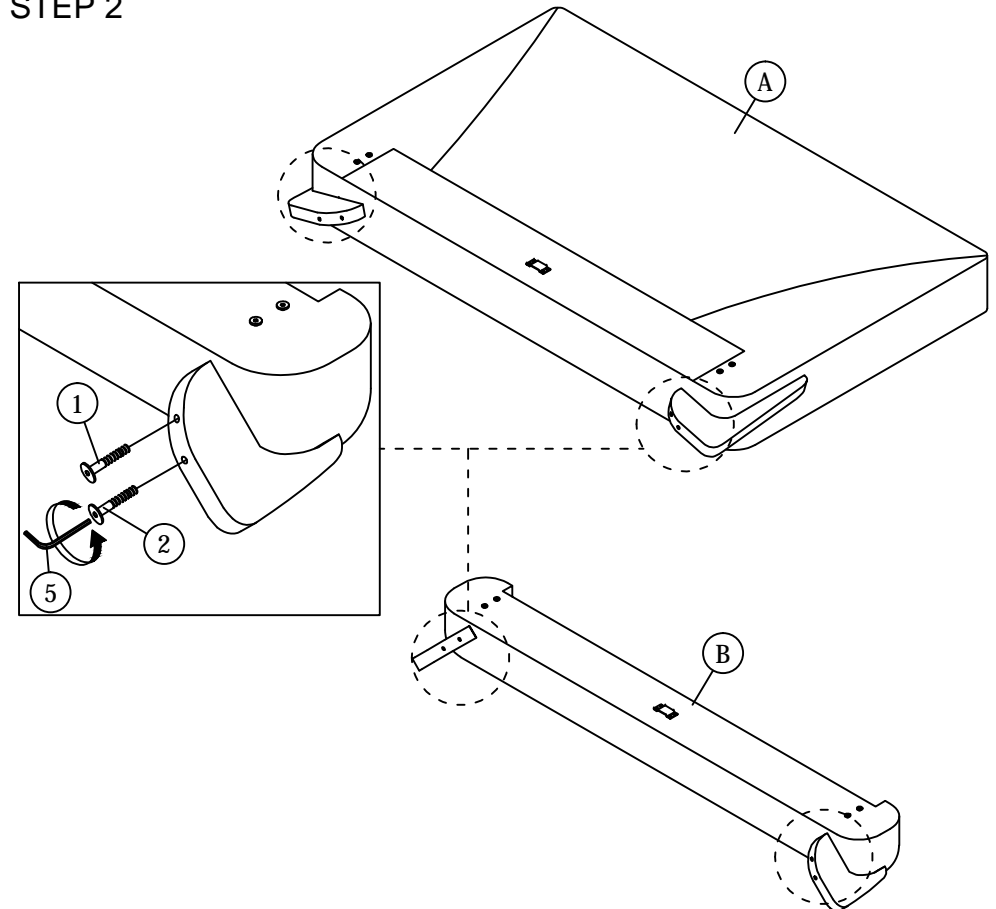
PART LIST			
ITEM	DESCRIPTION	BOX	QTY
A	HEADBOARD	1	1 PC
B	FOOTBOARD	2	1 PC
C	SIDE RAIL	2	2 PCS
D	CENTER RAIL	2	1 PC
E	CENTER SUPPORT LEG	2	3 PCS
F	BED SLAT	3	1 SET
G	HEADBOARD LEG	2	2 PCS
H	FOOTBOARD LEG	2	2 PCS

HARDWARE LIST (BOX : 2)			
ITEM	DESCRIPTION		QTY
1	JCBC BOLT M6 x 80mm		4 PCS
2	JCBC BOLT M6 x 100mm		4 PCS
3	WOOD SCREW M4 x 38mm		9 PCS
4	WOOD SCREW M4 x 20mm		2 PCS
5	M4 ALLEN KEY (BALL SHAPE)		1 PC
6	M5 ALLEN KEY (BALL SHAPE)		1 PC

STEP 1

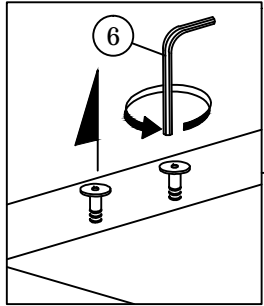


STEP 2

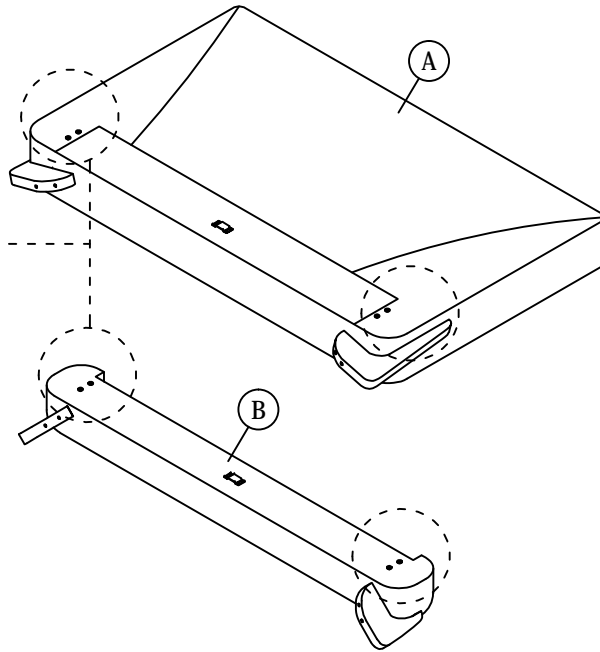


ASSEMBLY INSTRUCTIONS

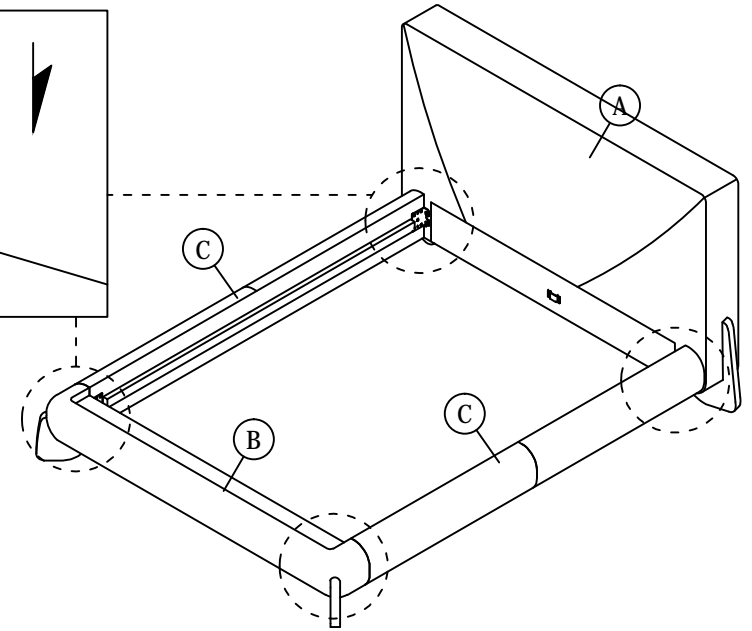
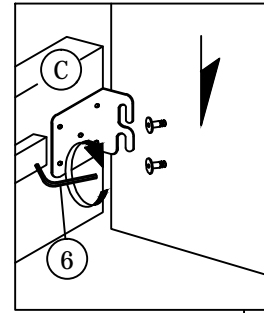
STEP 3



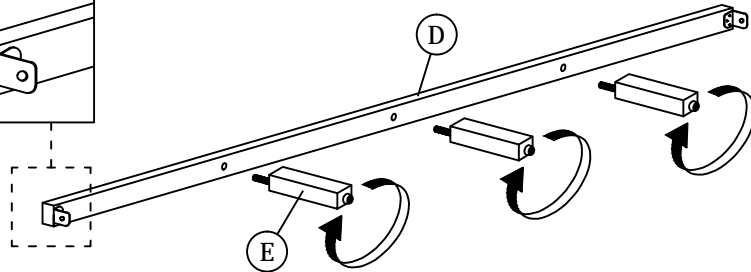
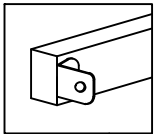
Loosen the pre-inserted bolt on the headboard and footboard using Allen key ball shape (6).



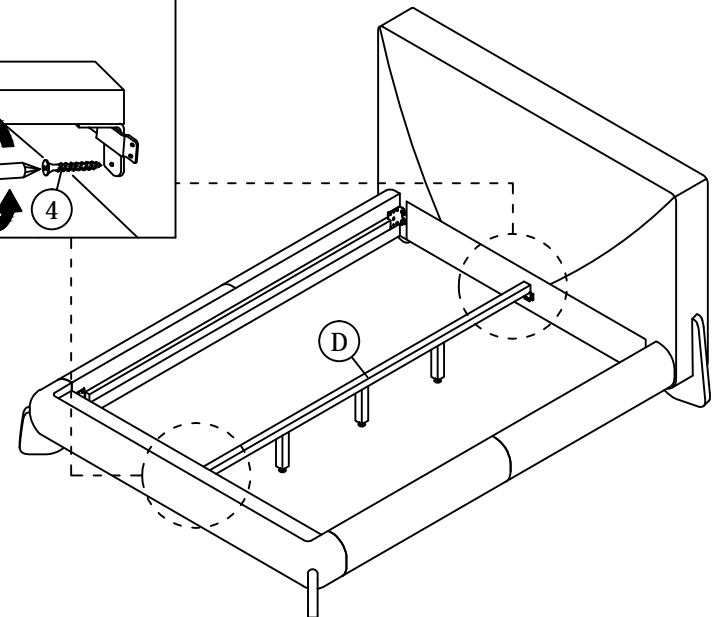
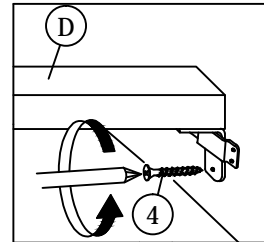
STEP 4



STEP 5

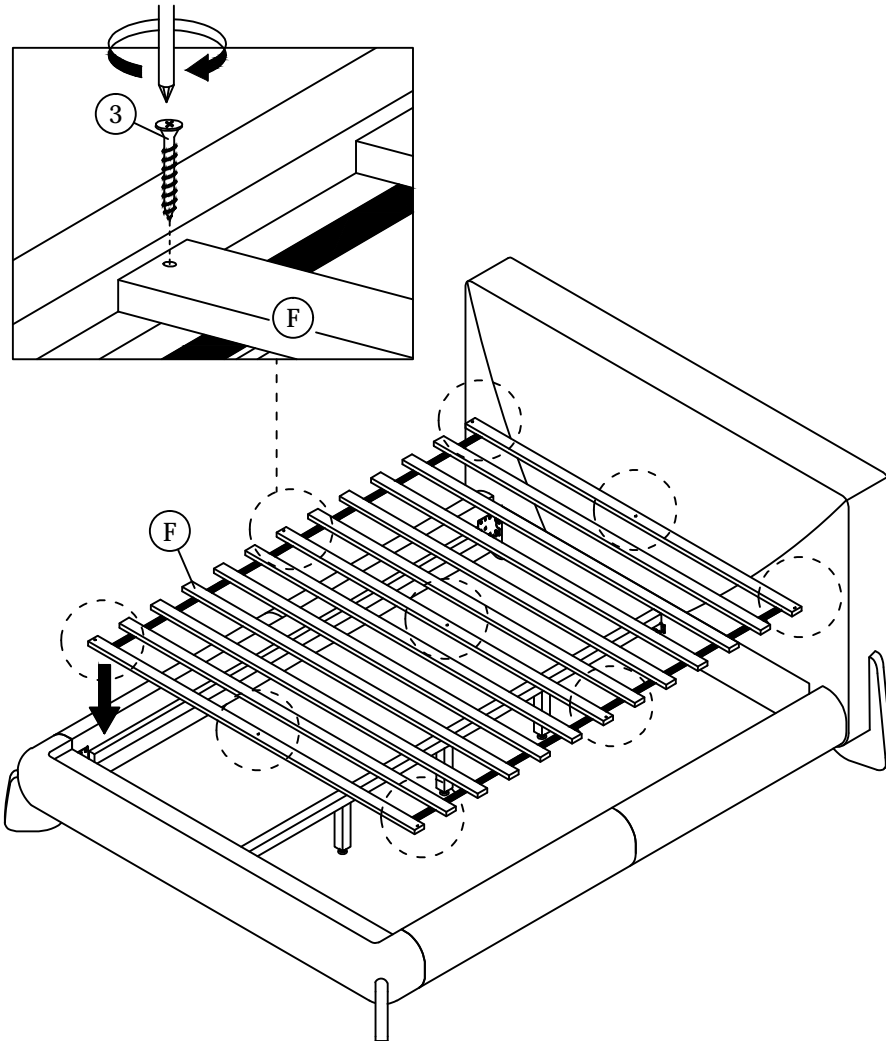


STEP 6

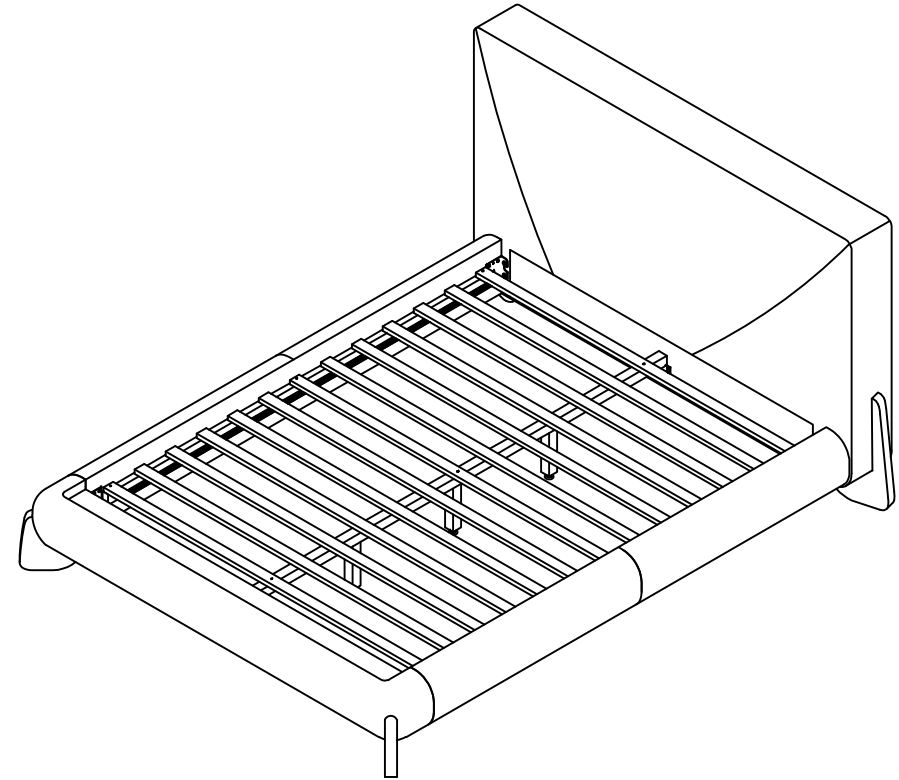


ASSEMBLY INSTRUCTIONS

STEP 7



STEP 8



*** When moving the bed position, the center support legs must be adjust to be straight to avoid any broken problem.**

Read this instruction carefully. See hardware and furniture part list for guidance.
 Be sure all parts are complete before assembly. Place all wooden furniture parts on a clean and flat soft surface to prevent from being scratched.
 Follow the figure to start assembling.

PART LIST			
ITEM	DESCRIPTION	BOX	QTY
A	BENCH	1	1 PC
B	LEG	1	4 PCS

HARDWARE LIST (BOX : 1)		
ITEM	DESCRIPTION	QTY
1	WOOD SCREW M4 x 25mm 	24 PCS

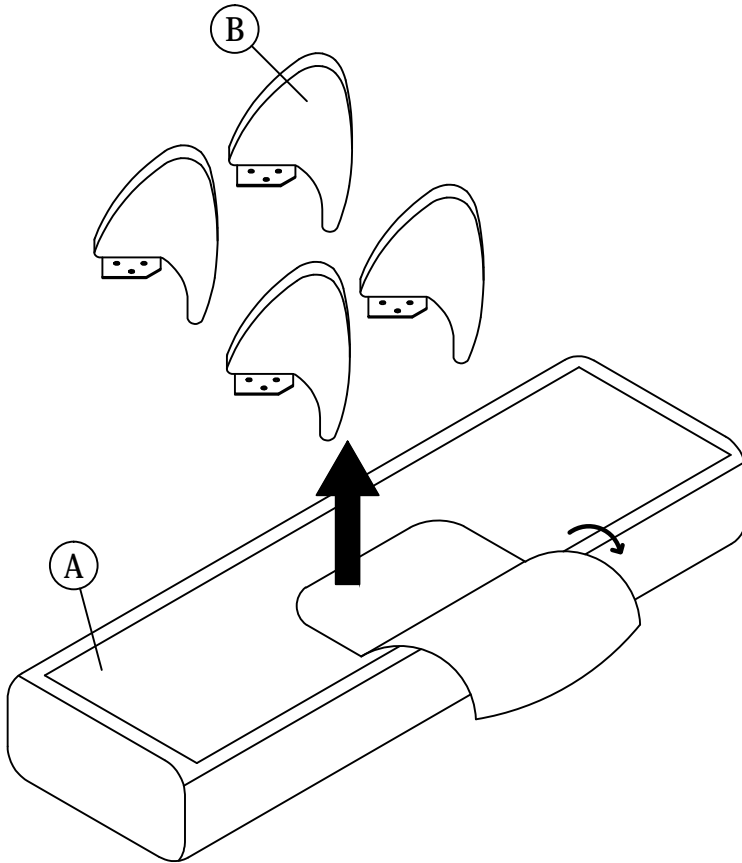
CAUTION :

1. Do not FULLY - TIGHTEN the nuts or nuts bolts until they are ready for assembly.
2. Do not OVER - TIGHTEN the nuts or bolts to avoid causing damages to the thread.
3. Keep all hardware parts out of reach of children.

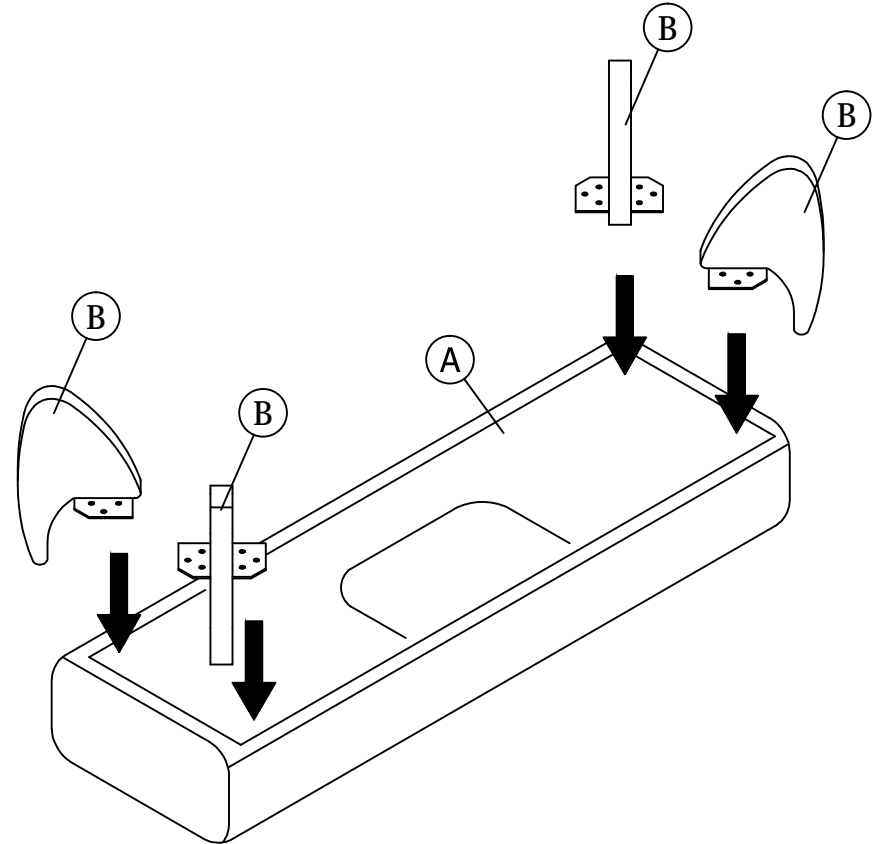
NOTE : THE LIST AND QUANTITY SHOWN ARE FOR 1 UNIT ASSEMBLY.

Tools needed : Screwdriver (not provided).

STEP 1

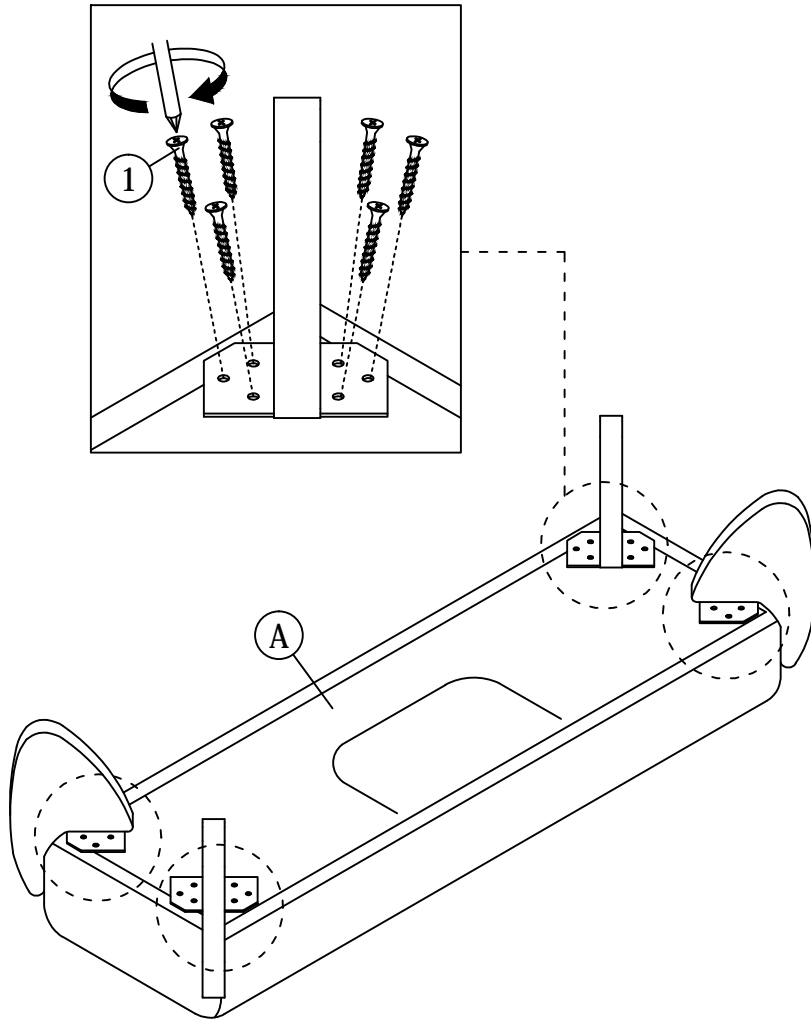


STEP 2



ASSEMBLY INSTRUCTIONS

STEP 3



STEP 4

