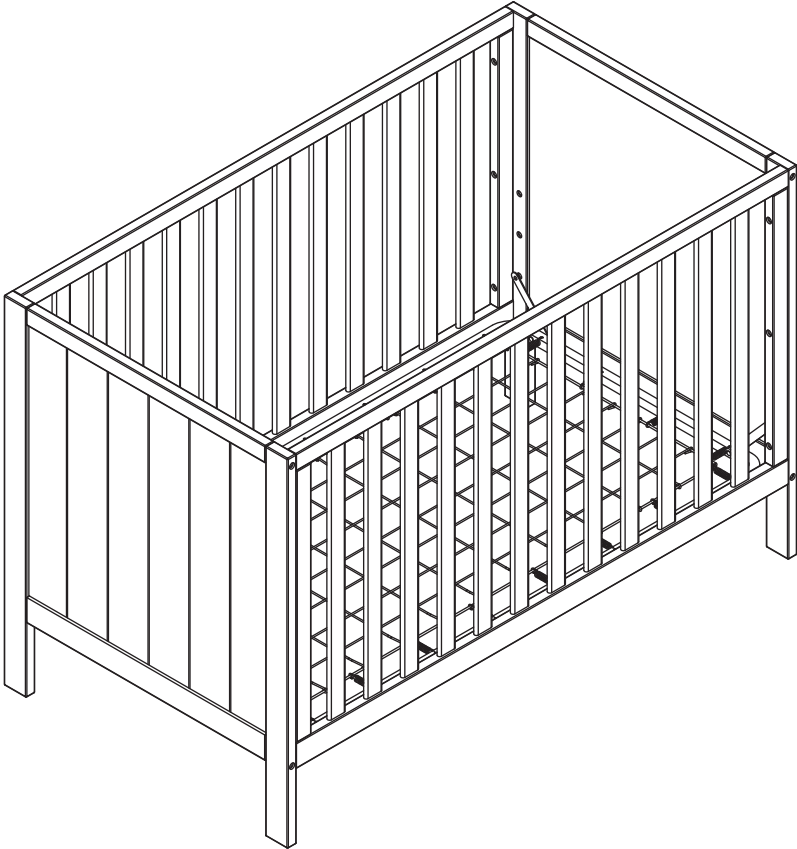


CONVERTIBLE CRIB



**STANDARD
LOAD-BEARING
CAPACITY
50 POUNDS**

CAUTION: Read all the instructions thoroughly before assembling and using. If some components are missing or damaged, do not use this product. Before and after assembling, check the product to ensure that there are no damaged, missing or loose components and sharp edges. The assembly of this product requires two people to cooperate.

ATTENTION

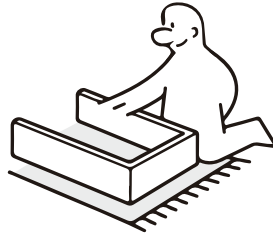
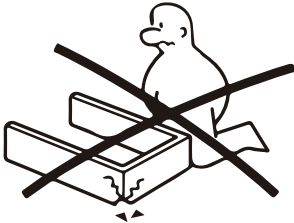
Attention Customers living in the United States and Canada

If you are missing parts, hardware, or if your product has been damaged during shipping

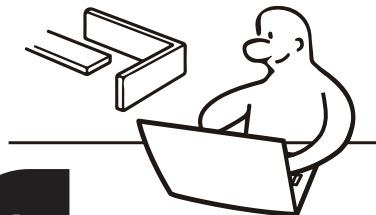
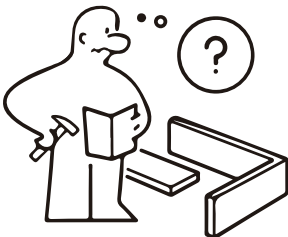
DO NOT RETURN YOUR PRODUCT

The store does not stock parts and may not be able to help you. Please contact us directly and **we will ship you the parts** you need to your shipping address **at no cost to you**. For the quickest and most efficient

※ Stay Scratch-Free: Safeguard Your Crib by Assembling on Carpet.



※ Stuck in Assembly Limbo? Check out our website or contact our support team for quick solutions!





WARNING AND SAFETY TIPS



WARNING

FAILURE TO FOLLOW THESE WARNINGS AND THE INSTRUCTIONS COULD RESULT IN SERIOUS INJURY OR DEATH.

- Read all instructions before assembling the crib. KEEP INSTRUCTIONS FOR FUTURE USE.
- Infants can suffocate on soft bedding, Never add a pillow or comforter. Never place additional padding under an infant.
- The mattress used in this crib should not be more than 6 inches (15cm) thick and should be of such length and width that the gap between the mattress and the sides of the crib is no more than 1 3/16 inches (3cm) when the mattress is pushed into the corner of the crib.
- Infants can suffocate in gaps between crib sides and a mattress that is too small.
- Check this product for damaged hardware, loose joints, loose bolts or other fasteners, missing parts or sharp edges before and after assembly and frequently during use. Securely tighten loose bolts and other fasteners. DO NOT use the crib if any parts are missing, damaged or broken. Contact HARPPABABY.COM for replacement parts and instructional literature if needed. DO NOT substitute parts.
- To reduce the risk of SIDS, pediatricians recommend healthy infants be placed on their backs to sleep unless advised otherwise by your physician.
- **DO NOT** use a water mattress with this crib.
- Never use plastic shipping bags or other plastic film as mattress covers because they can cause suffocation.
- If re-finishing, use non-toxic finish specified for children's products.
- **DO NOT** use this crib if the attached or enclosed instructions cannot be strictly adhered to.
- Follow warnings on all products in a crib.

STRANGULATION HAZARD

- Strings can cause strangulation! Do not place items with a string round a child's neck, such as hood strings or packaging cords. Do not suspend strings over a crib or toddler bed for any reason or attach strings to toys.
- To help prevent strangulation tighten all fasteners. A child can trap parts of the body or clothing on loose fasteners.
- **DO NOT** place crib near window where cords from blinds or drapes may strangle a child.

FALL HAZARD

- When child is able to pull up or stand, remove boxes and other objects that could serve as steps for climbing out.
- Stop using the crib when the child begins to climb out or reaches the height of 35 inches (89 cm).

CAUTION: ANY MATTRESS USED IN THIS CRIB SHALL BE AT LEAST 27 1/4 INCHES BY 51 5/8 INCHES (69 CM X 131 CM) WITH A THICKNESS NOT EXCEEDING 6 INCHES (15 CM) AND THE MINIMUM MATTRESS THICKNESS OF 4 INCHES (10 CM).

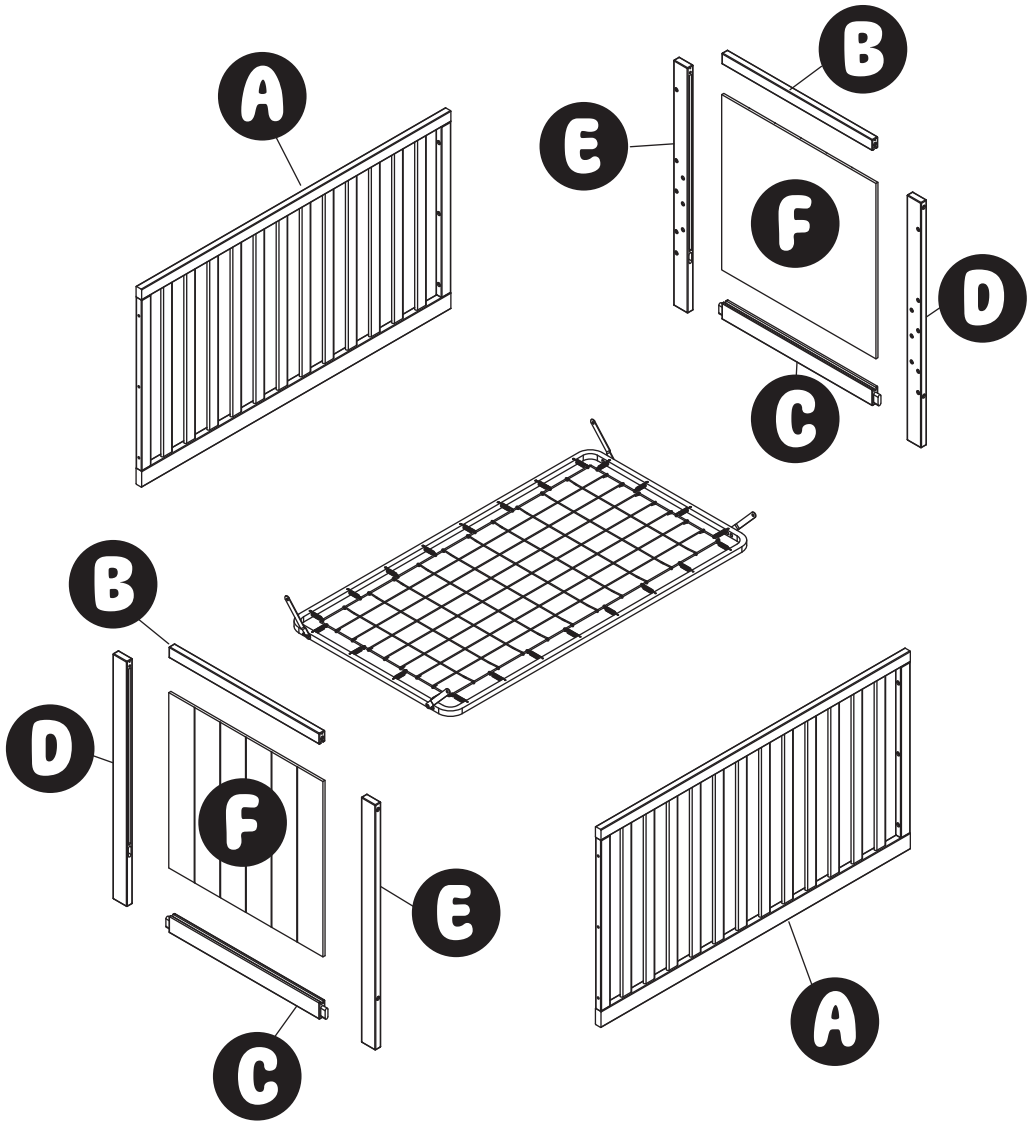
THIS PRODUCT CONFORMS TO APPLICABLE REGULATIONS PROMULGATED BY THE CONSUMER PRODUCT SAFETY COMMISSION.

IMPORTANT- KEEP FOR REFERENCE - READ CAREFULLY

Please read this manual before assembling and using this product, it will tell you the correct operation method and assembly procedure, so as to avoid damage to the product or injury to your child due to incorrect operation method.


Dear customer, for a seamless installation experience of our product, we highly recommend referring to our installation video. It will walk you through every step in an easy-to-follow manner. Let's make the setup process a breeze together.

SEALIOUS INFORMATION




  4pcs
P1 $\Phi 13 \times M6 \times 95$

  4pcs
P2 $\Phi 13 \times M6 \times 70$

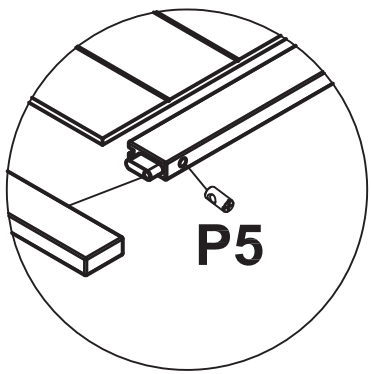
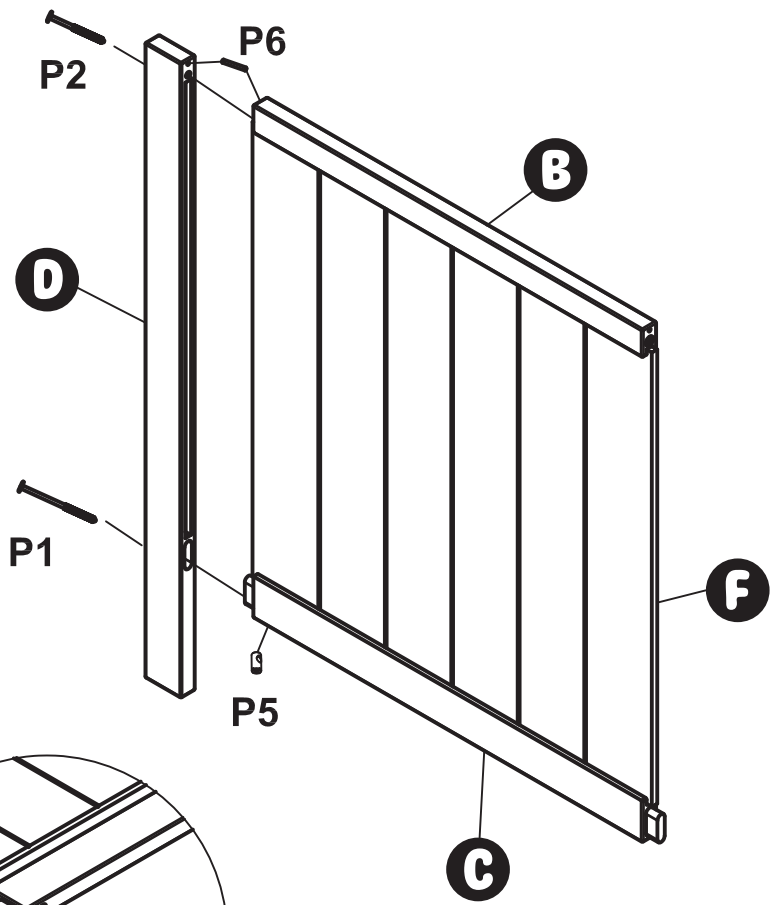
  12pcs
P3 $\Phi 13 \times M6 \times 50$

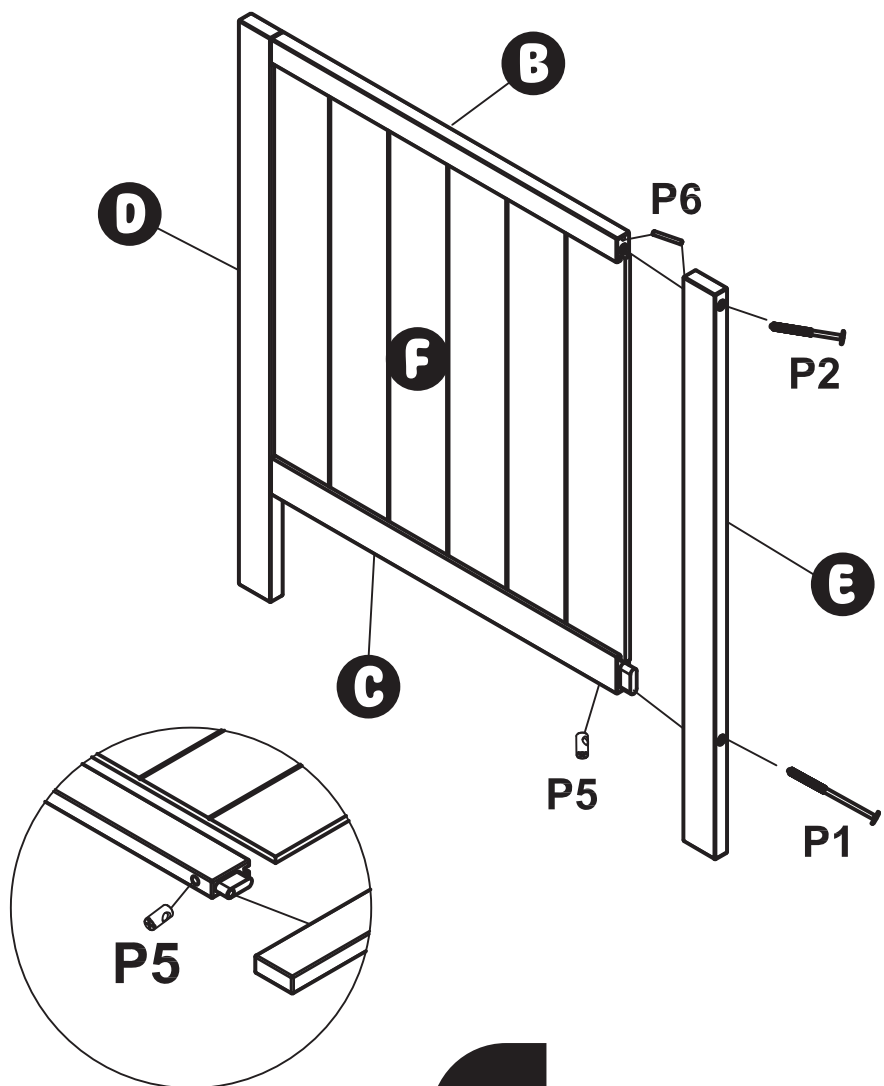
  4pcs
P4 $\Phi 13 \times M6 \times 18$

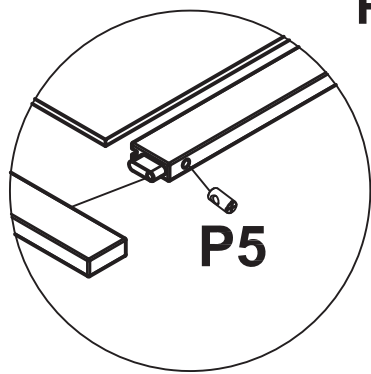
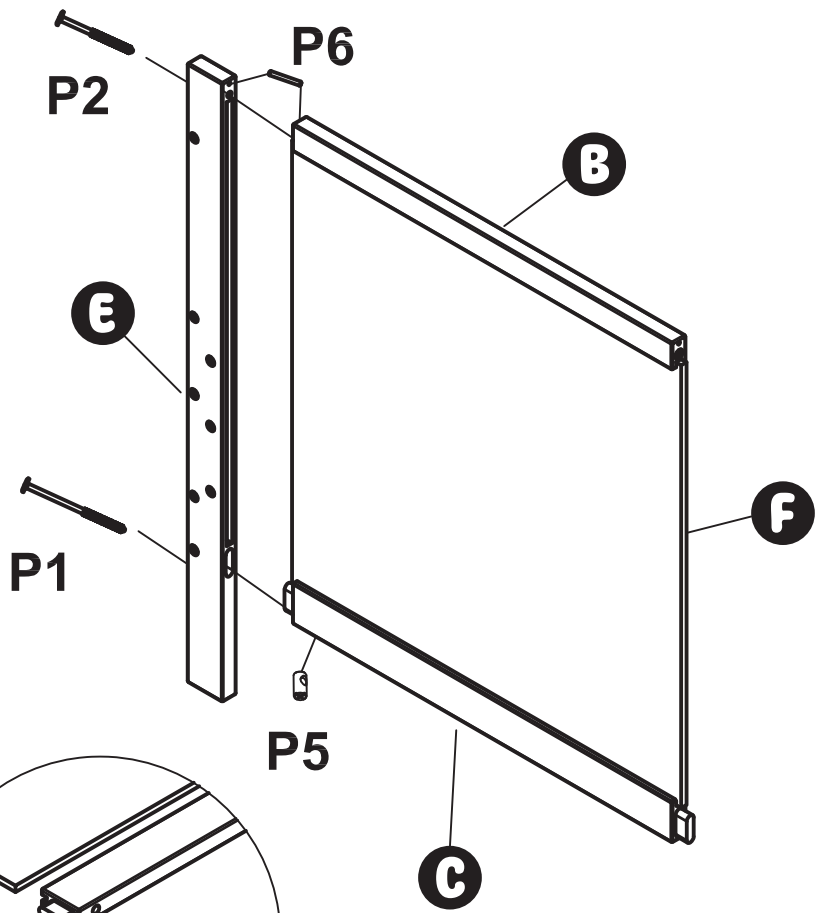
  4pcs
P5 $\Phi 13 \times M6 \times 17$

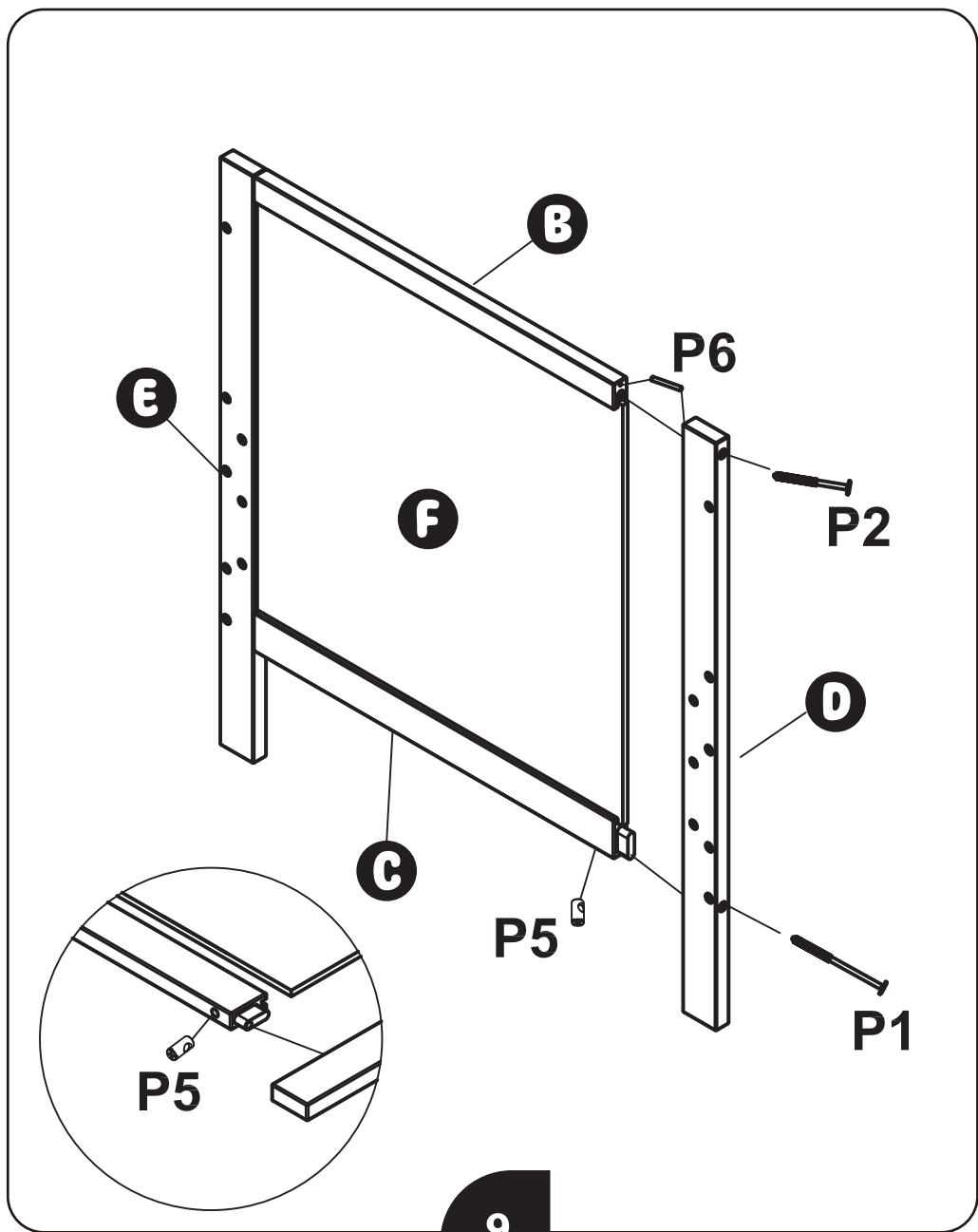
  4pcs
P6 $\Phi 4 \times 30$

 1pcs
P7 $M4 \times 106$

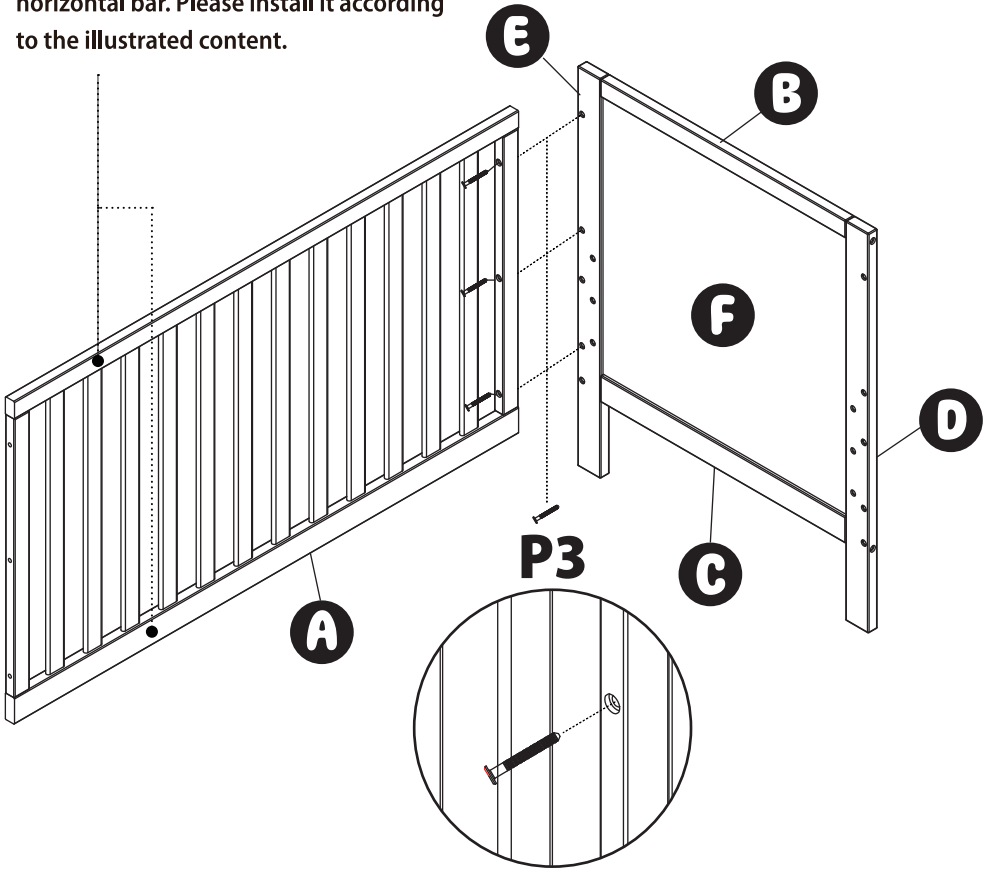


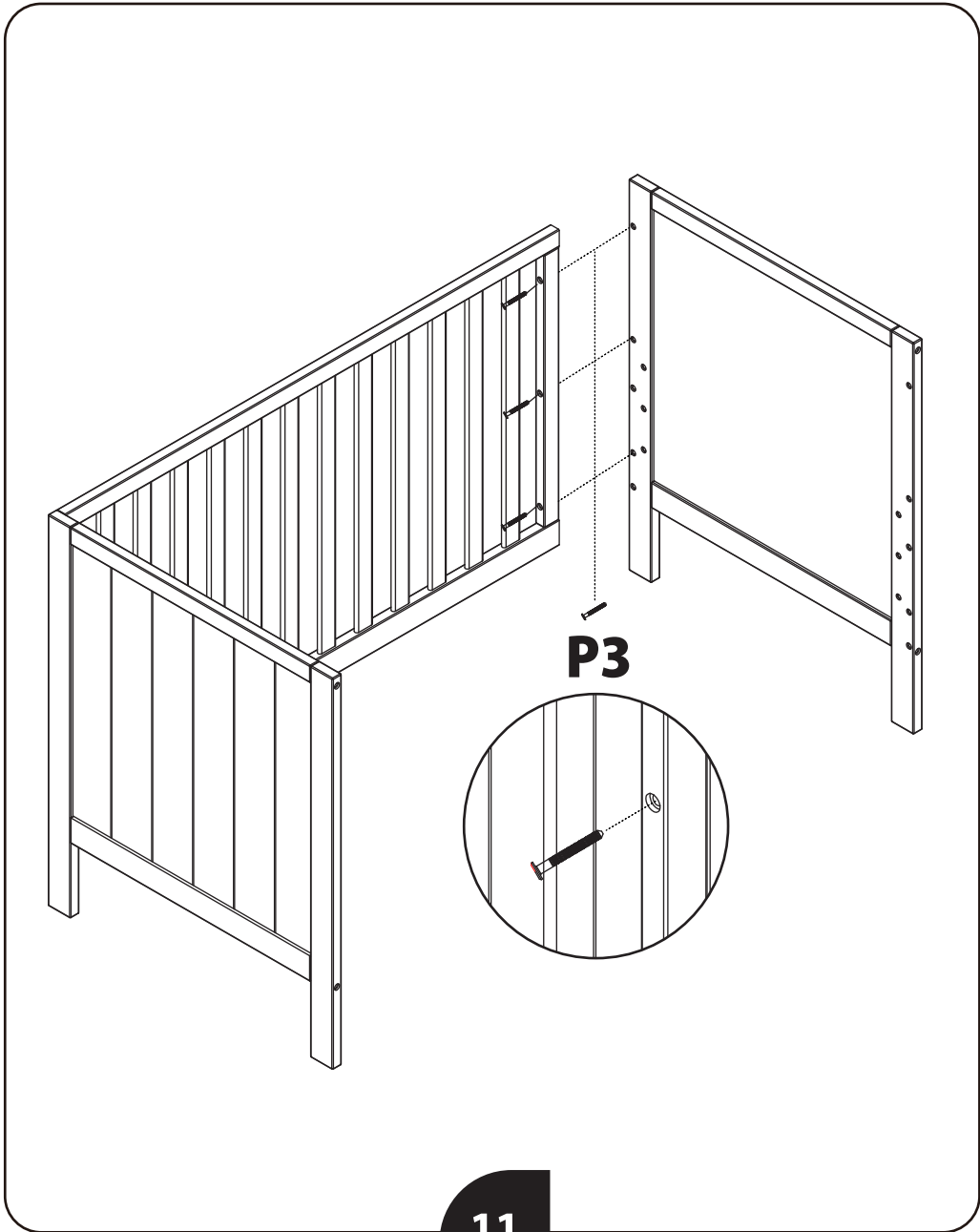


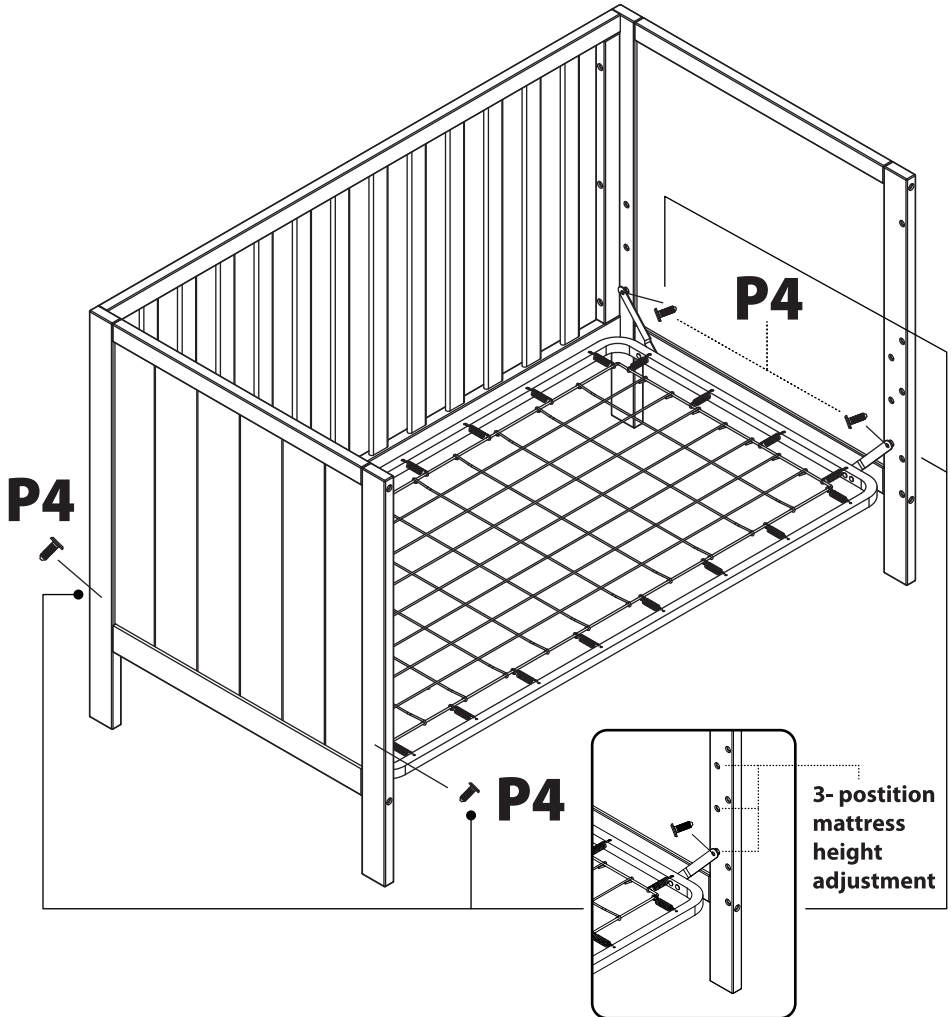




The thickness of the upper horizontal bar of part A is less than that of the lower horizontal bar. Please install it according to the illustrated content.



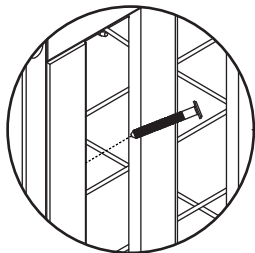
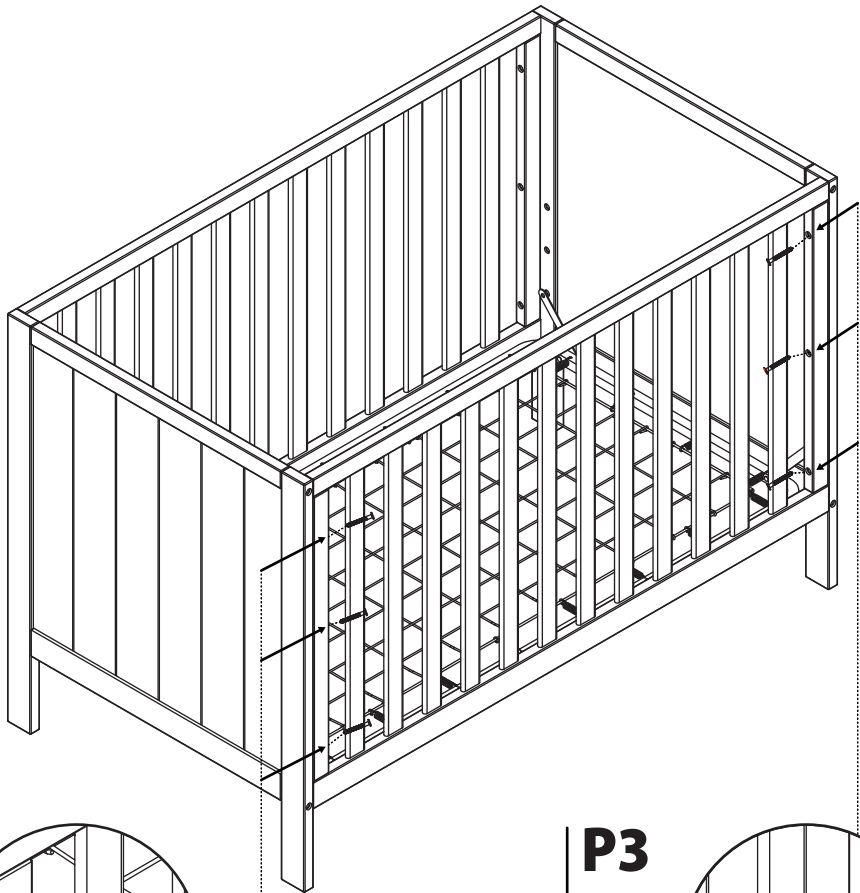




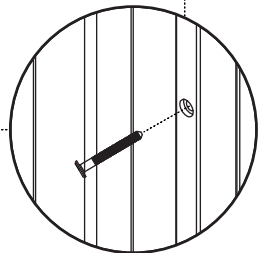
Spring shown here in Lowest position.

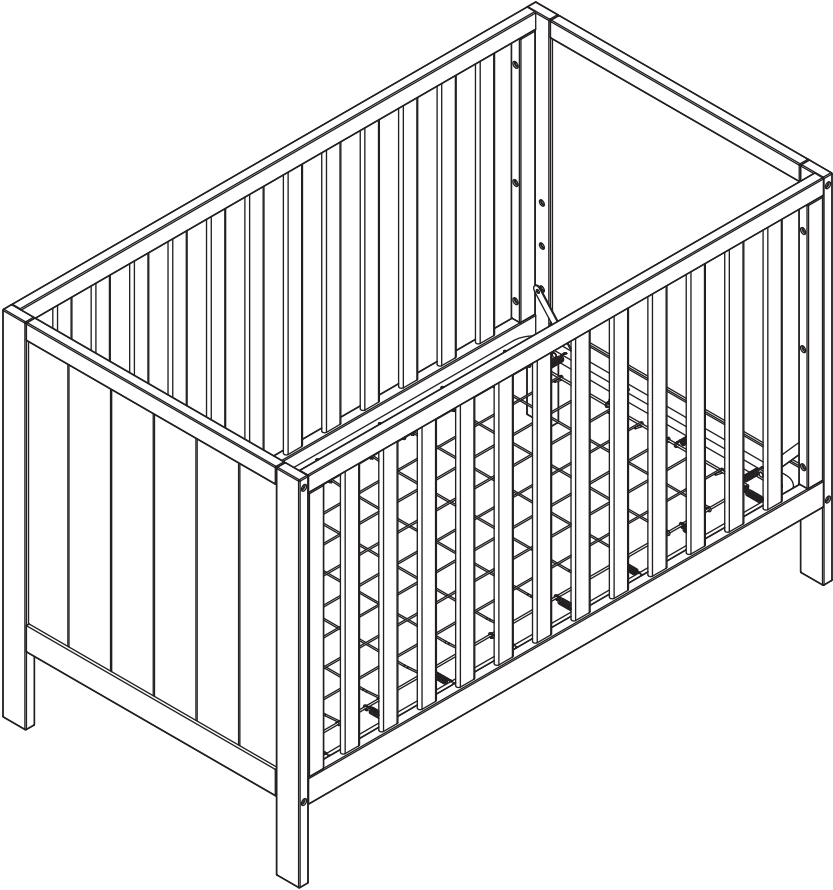
NOTE: We recommend setting the spring in the highest position for newborn babies.

Lower the mattress spring as the child grows and becomes more mobile.



P3





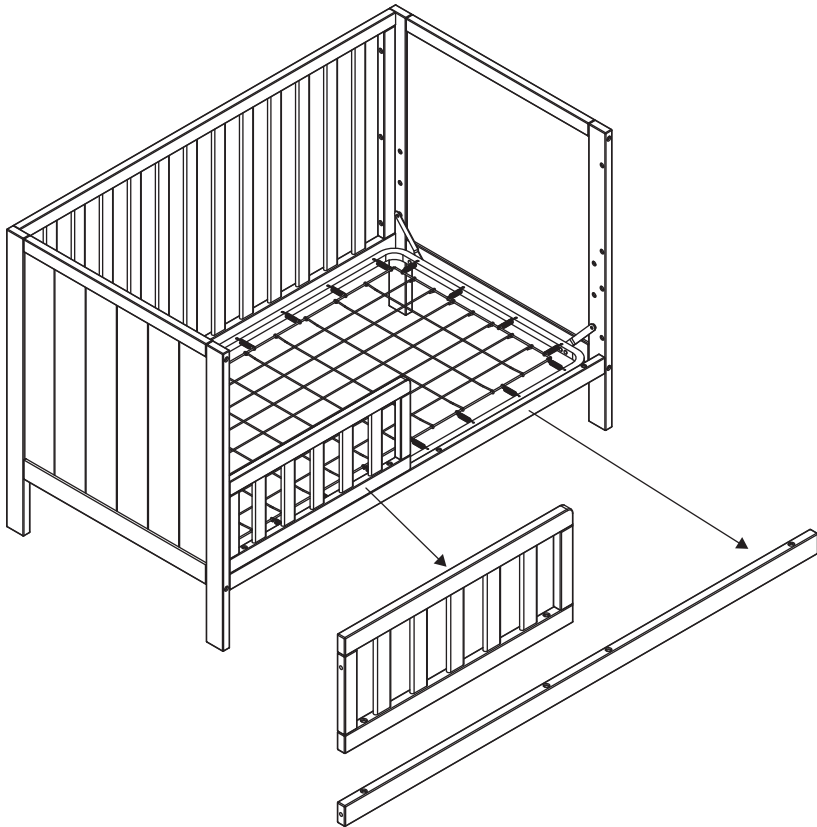
TO CONVERT TO A TODDLER / DAY BED

ATTENTION: Accessories for the toddler bed need to be purchased separately. If you want to obtain this accessory, please contact us.

WARNING

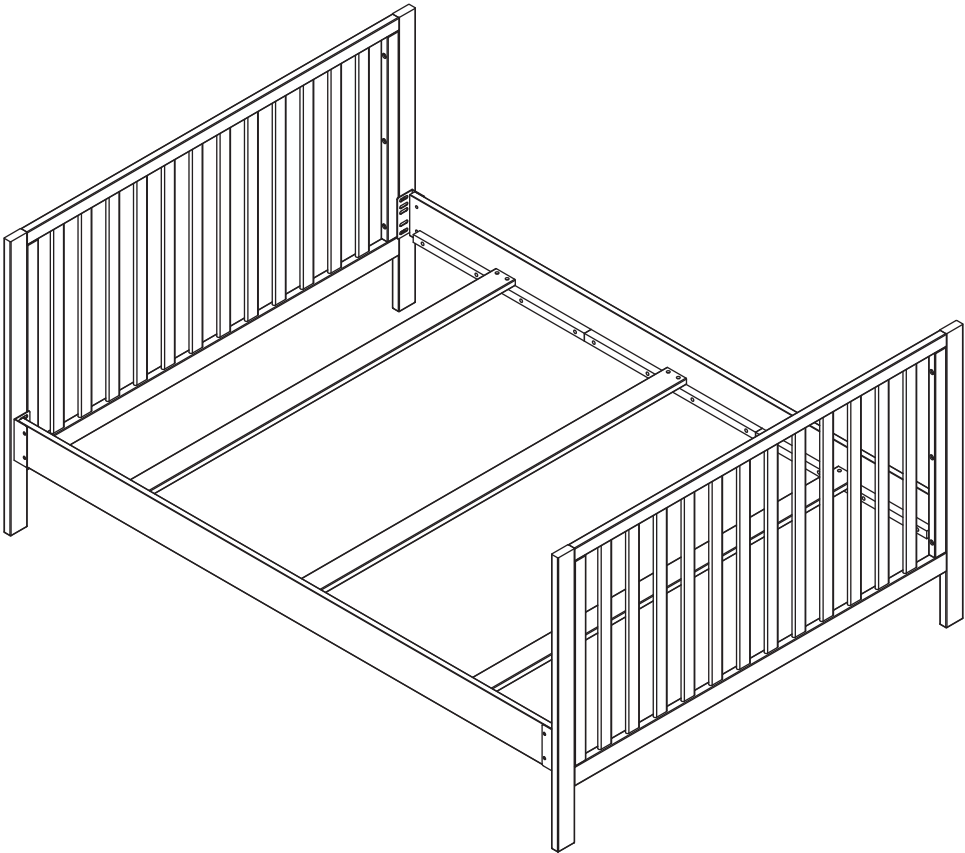
Failure to follow these warnings and the assembly instructions could result in serious injury or death from entrapment or strangulation.

- DO NOT place bed near windows where cord from blinds or drapes may strangle a child.
- Child must be at least 15 months old and not more than 50 lbs. to use this bed.
- Use a full size crib mattress as specified for this bed.
- The mattress used in is be must have a minimum dimension of 51 5/8"x 27 1/4"x 4" and a maximum of 6" thick.
- Do not place items with a sting,,cord,ribbon around a child's neck, such as hood stings or pacifier cords.
- Do not suspend strings over a toddler bed for any reason



Converting Crib to a Full Size Bed You have the option to convert the crib to a full size. The displayed components shown below. Attach it to a full metal bed frame (NOT INCLUDED) to convert to a full size bed.

ATTENTION: Accessories for the full size bed need to be purchased separately. If you want to obtain this accessory, please contact us.



Storage and Care

Do not remove any part that is fixed with wood screws. The fixed side rail and mattress base can be disassembled for storage. Simply review the assembly instructions for each part and reverse the operation to disassemble. Wipe all parts with a dampened clean cloth. Do not use abrasives. To convert to a toddler bed and a full size bed, please follow the instructions kit. (Accessories need to be purchased separately.)

ENVIRONMENT

For environmental reasons, when you have stopped using this product, we ask that you dispose of the product in the proper waste facilities in accordance with local legislation.

QUESTIONS

Please contact our customer service at our website. When doing so please have the following information to hand:

- Order number
 - Age (height) and weight of your child.
-

WARRANTY

Our 12 months warranty reflects our confidence in the high quality of our design, engineering, production and product performance. We confirm that this product was manufactured in accordance with the current American safety requirements and quality standards which are applicable to this product, and that this product is free from defects on materials and workmanship at the time of purchase. Under the conditions mentioned herein, this warranty may be invoked by consumers in the countries where this product has been sold by a subsidiary of by an authorized dealer or retailer.

Our 12 months warranty covers all manufacturing defects in materials and workmanship when used in normal conditions and in accordance with our user manual for a period of 12 months from the date of the original retail purchase by the first end-user customer. To request repairs or spare parts under our warranty for defects in materials and workmanship you must present your proof of purchase, made within the 12 months preceding the service request.

Our 12 months warranty does not apply to defects caused by normal wear and tear, damage caused by accidents, abusive use, negligence, fire, liquid contact or other external cause, damage which is the consequence of failing to comply with the user manual, damage caused by use with another product, damage caused by service by anyone who is not authorized by us, or if the product is stolen or if any label or identification number has been removed from the product or has been changed. Examples of normal wear and tear include wheels and fabric worn down by regular use and the natural breakdown of colors and materials due to normal aging of the product.