

CUSTOMER SERVICE

Assembly Instruction

- 1、 Check out our step-by-step installation.
- 2、 Please organize all pieces so that you can follow the instruction for smooth assembly.
- 3、 During the assembly, it is suggested that you make sure all the screws in the right position before finally tightening them.
- 4、 Note to self, don't be so excited and slow down and read the instructions step by step.
- 5、 Clear up enough space for the installation and remove any obstacles in the way.
- 6、 The product could be assembled by one person, but would recommend two.
- 7、 If any problems, please contact us via email for support and replacement and you will get reply within 24 hours.

1-Year Warranty

We offer 1-year warranty starting from the purchase date during normal use. But if any problems, please contact us via email for support and replacement and you will get reply within 24 hours.

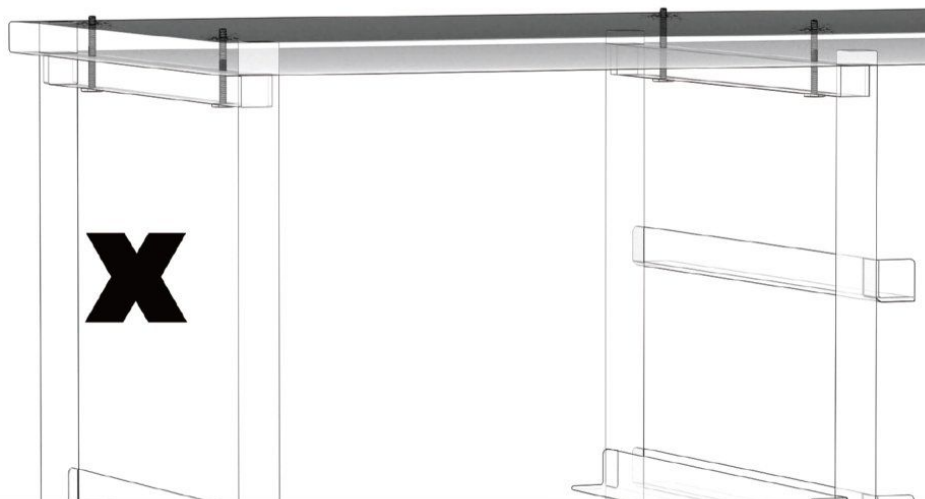
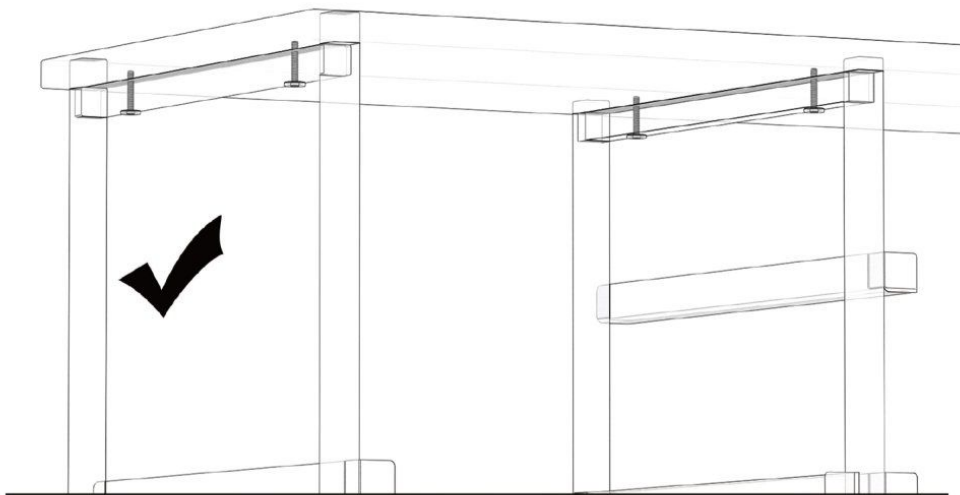
More Efficient Response

To make us understand the exact problem and solve the problem more effectively, it would be better if you can send us the order ID and attach the pictures or videos illustrating the problems.

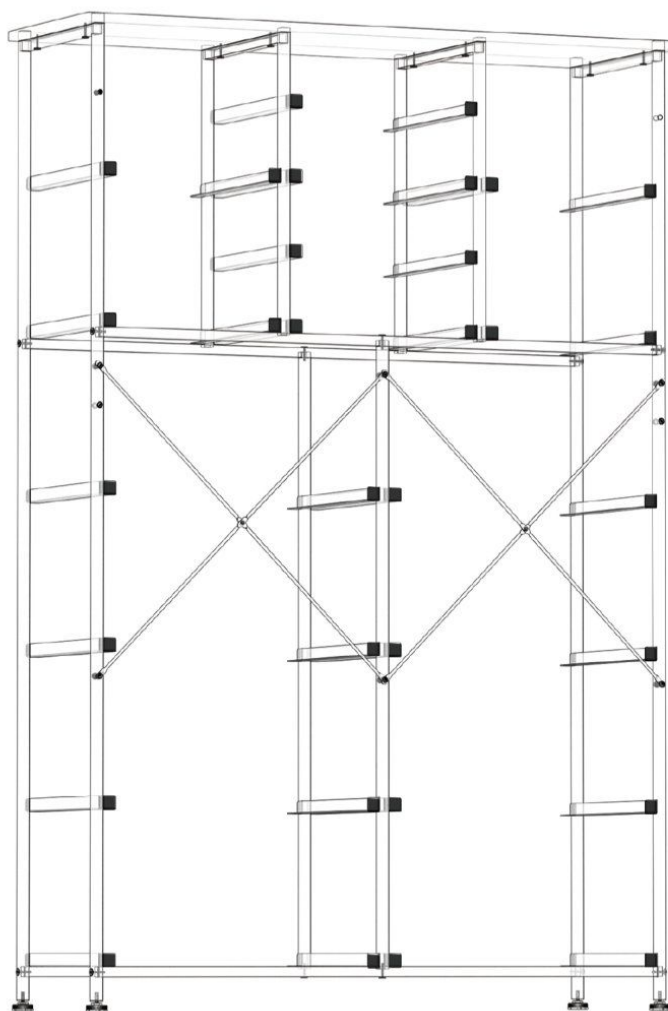
Problems You May Encounter

Note	Problem	Solution
Dear Customer, Although we take great care to ensure our products are free from common market issues in material selection, production process and quality control, we understand that unexpected situations can still arise. If you encounter any difficulties or require assistance, please don't hesitate to reach out to us. Our dedicated team is always here to help and provides solutions within 24 hours.	If you have difficulty installing this product	Contact us your order for a detailed installation and personalized assistance to ensure successful installation and seamless usage of our product.
	Parts are missing, defective, or wrong parts in the package	Contact us your order, and we will respond within 24 hours.
	Board surface is broken, scratched, or lacks some screw holes	Contact us your order, and we will respond within 24 hours.
	The steel frame is bent, broken, painted, rusted, or damaged	If possible, you can take some photos of the bent part first, and then try to restore the iron frame to its original shape to make it work, then send us the picture and problems, and we will offer you a satisfactory answer.

TURN THE PAGE FOR ASSEMBLY MANUAL →



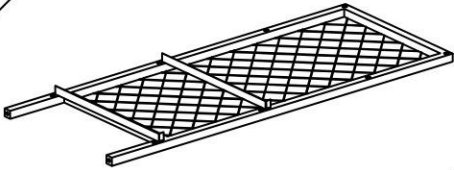
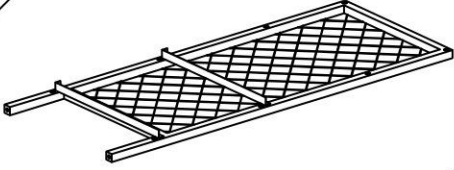
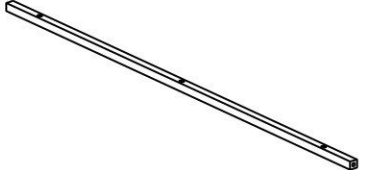
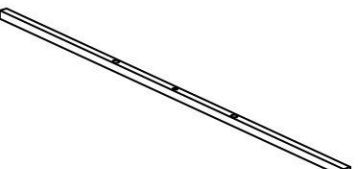
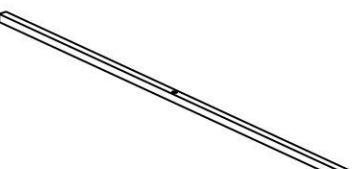
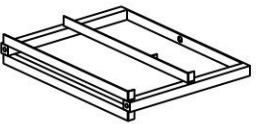
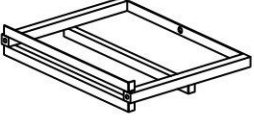
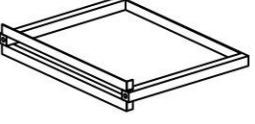
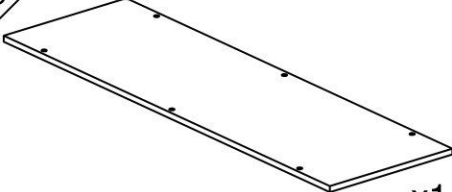
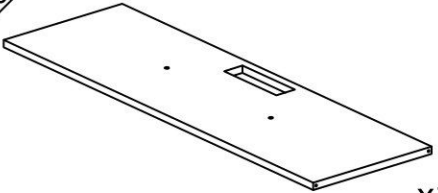
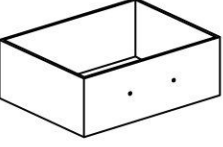

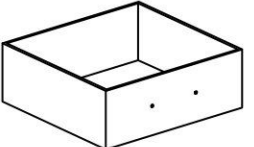

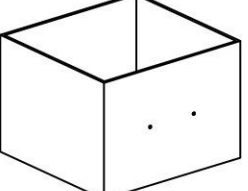
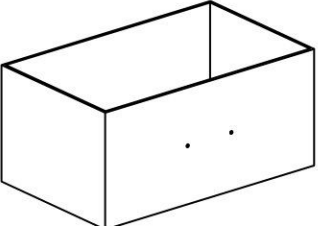

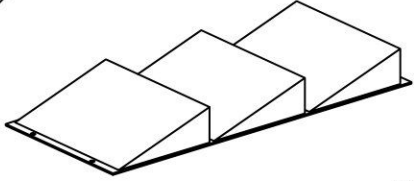








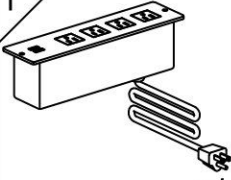
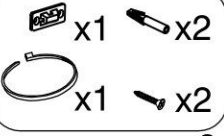
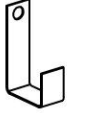

Please exercise caution and use the right length screw when attaching it. So as not to break the wood top.



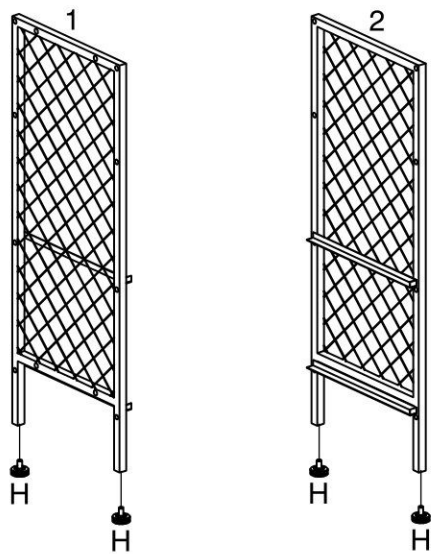
Be sure all curved ends (The place painted in black as shown in the figure) should be on one side to stop the drawers.

Assembling Instruction

Attention: Do not tighten the screws until all of them are in right positions

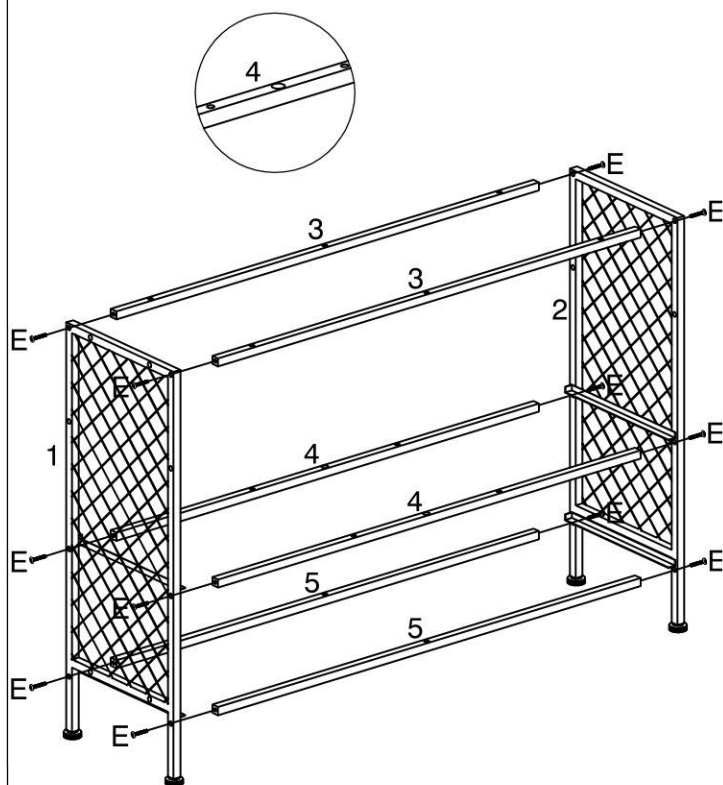
<p>1</p>  <p>x1</p>	<p>2</p>  <p>x1</p>	<p>3</p>  <p>x2</p>			
<p>4</p>  <p>x2</p>	<p>5</p>  <p>x2</p>	<p>6</p>  <p>x1</p>			
<p>7</p>  <p>x1</p>	<p>8</p>  <p>x1</p>	<p>9</p>  <p>x1</p>			
<p>10</p>  <p>x1</p>	<p>11</p>  <p>x1</p>	<p>12</p>  <p>x1</p>			
<p>13</p>  <p>x1</p>	<p>14</p>  <p>x3</p>	<p>15</p>  <p>x2</p>			
<p>16</p>  <p>x2</p>	<p>17</p>  <p>x2</p>	<p>18</p>  <p>x1</p>			
<p>A</p>  <p>M4x8 x12</p>	<p>B</p>  <p>M4x14 x2</p>	<p>C</p>  <p>M6x12 x8</p>	<p>D</p>  <p>M6x25 x6</p>	<p>E</p>  <p>M6x30 x20</p>	<p>F</p>  <p>M5x40 x4</p>
<p>G</p>  <p>x6</p>	<p>H</p>  <p>M6 x4</p>	<p>I</p>  <p>x1</p>	<p>J</p>  <p>x1 x2 x1 x2 x2</p>	<p>K</p>  <p>x2</p>	<p>L</p>  <p>x1</p>

1



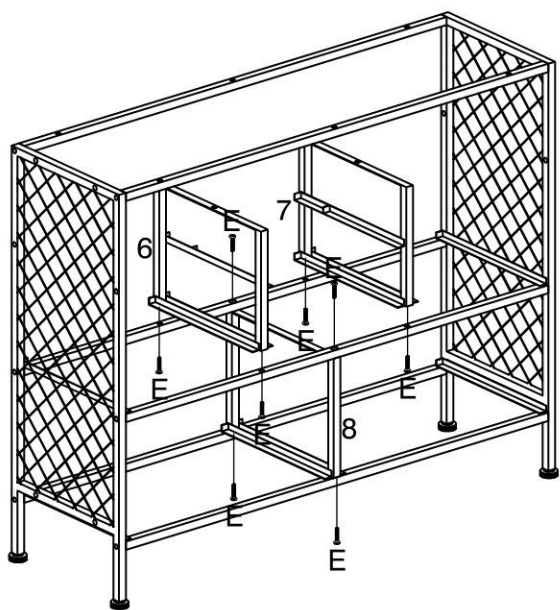
H x4

2



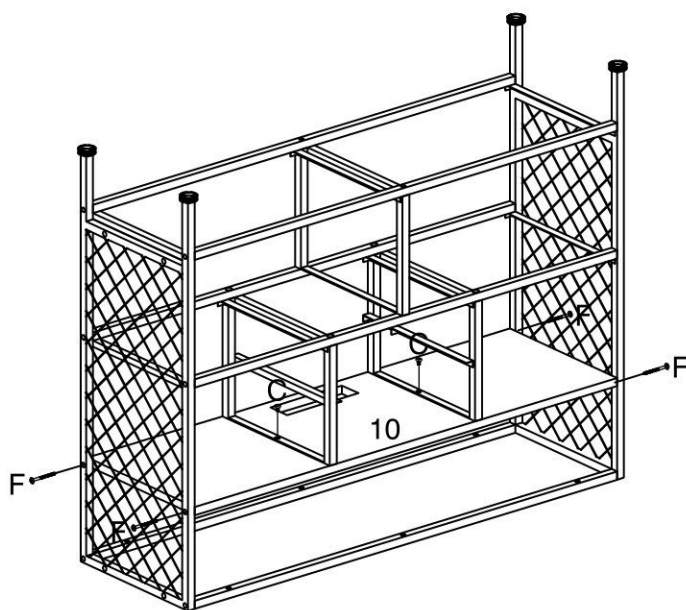
E x12

3



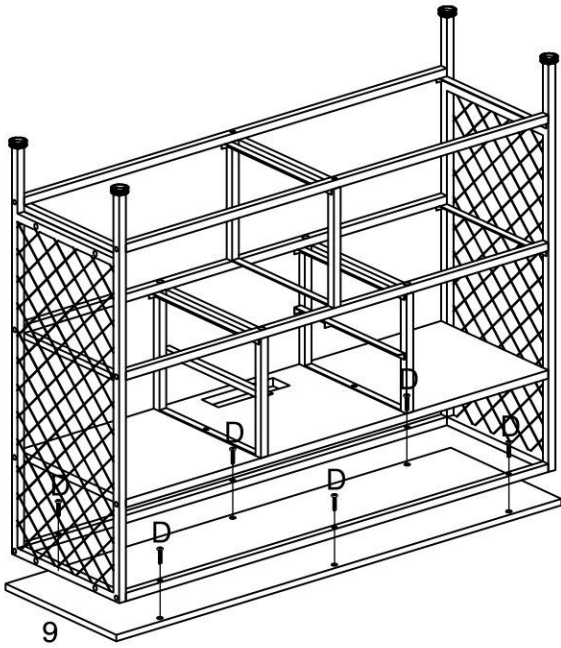
E x8

4



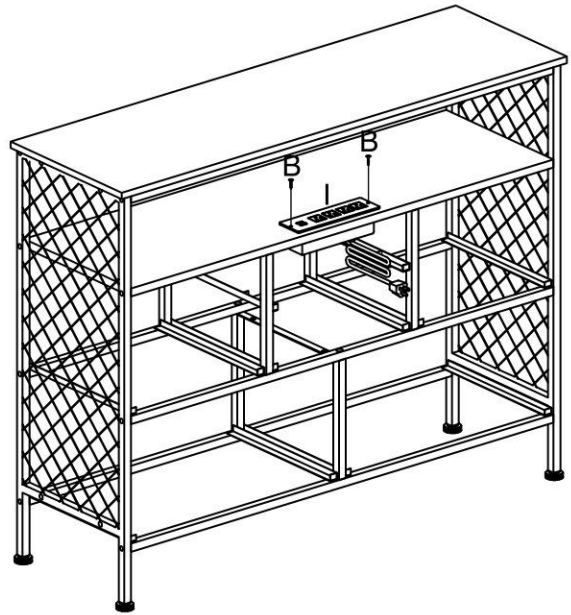
C	x2
F	x4

5



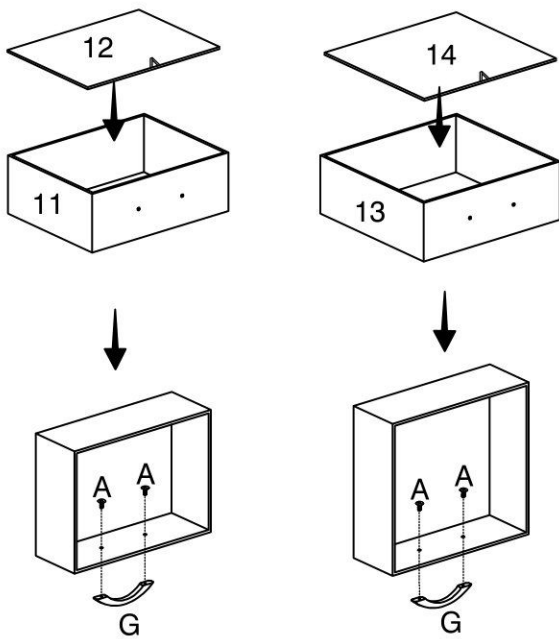
D x6

6



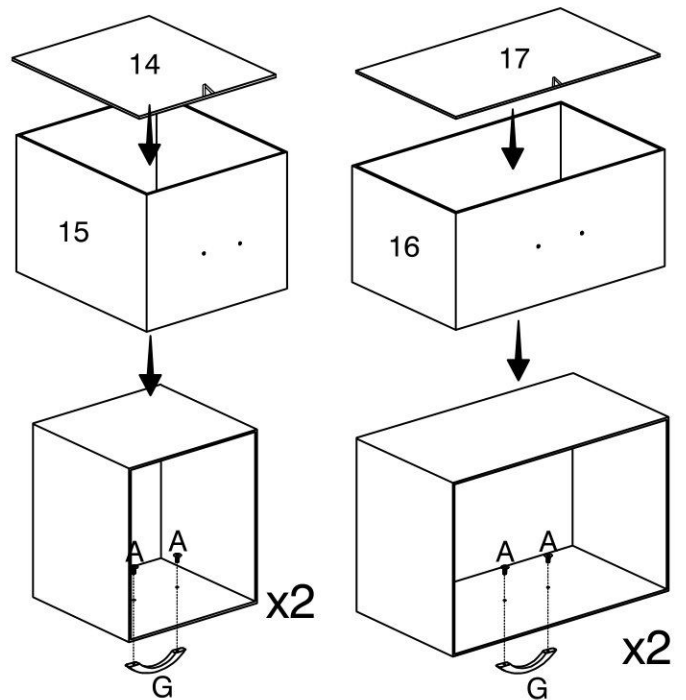
B	x2
I	x1

7



A	x4
G	x2

8

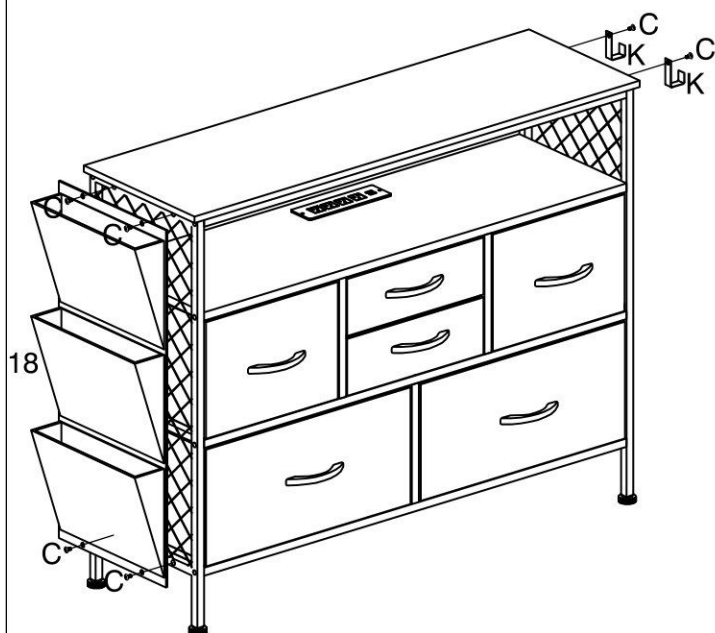


A	x8
G	x4

9

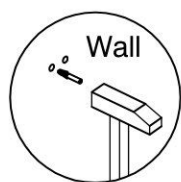


10

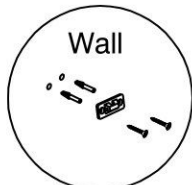


C	x6
K	x2

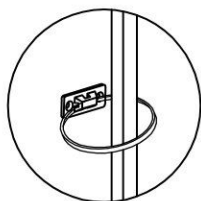
11



Wall



Wall



L	x1
J	x2