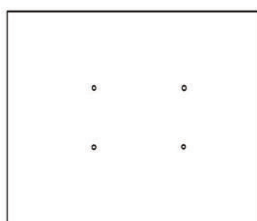


IMPORTANT, RETAIN FOR FUTURE REFERENCE: READ CAREFULLY

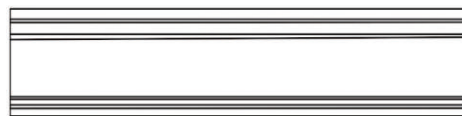
ASSEMBLY & INSTRUCTION MANUAL

PARTS

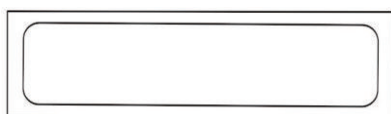
1 x 1



2 x 2



3 x 2



4 x 2



5 x 1



6 x 2



7 x 1

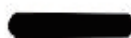


HARDWARE

a x 4
M7*50



b x 4
M5*47



c x 1
M4



② X02



① X01



Ⓐ X04

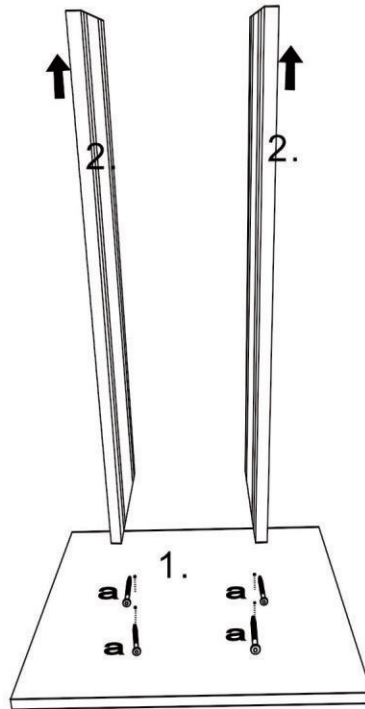


m7. 0*50

Ⓒ X01



4#



3

③ X02



④ X02

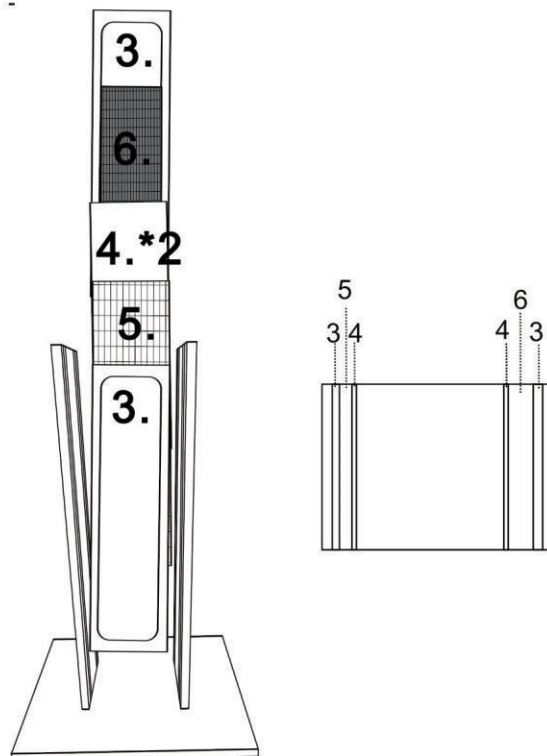


⑤ X01



⑥ X01

+1(spare)



2

⑦ X01



ⓑ X04



m5. 0*47

