

INSTALLATION

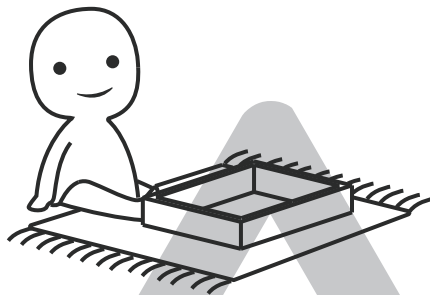
Product Manual

Version: 460097US-01-25A-FR



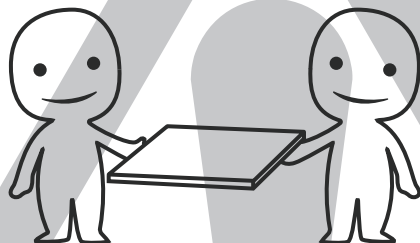
IMPORTANT INFORMATION!

please read the entire manual before starting to assemble and/or using this product. follow the manual thoroughly and keep it for further reference.



AVOID SCRATCHES!

In order to avoid scratching this furniture should be assembled on a soft layer- could be a rug.



IMPROVE EFFICIENCY !

Try to find a partner to install with you, which can speed up the installation efficiency and shorten the time.



ANTI-TOPPLE WARNING !

Overturnd furniture can cause serious or fatal crush injuries. To prevent tipping over, be sure to use the wall attachment, if not included with this product. Please purchase the wall attachment that fit your wall. If unsure, seek professional advice. Please read and follow each step of the instructions carefully.

IMPORTANT !

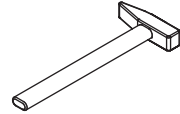
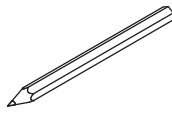
It is important that any product which is assembled using any kind of screw is re-tightened 2 weeks after assembly, and once every 3 months - in order to assure stability through-out the lifespan of the product.

For regular maintenance and cleaning of the product, for the frame, please use a rag dipped in neutral detergent to fully wipe it, and then dry it with a clean rag. For glass materials, wipe with a rag dampened with water glass cleaner, and then dry with a dry rag.

Do not use an electric screwdriver, and do not use too much force when installing, because the board is easy to break.

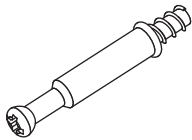


Please prepare the following tools



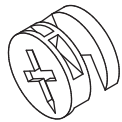
When installing, please carefully confirm whether each screw corresponds to the manual, accessories with similar shapes can be distinguished by size

A x 64



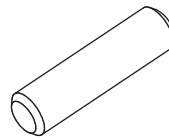
Ø 6 x 35 mm

B x 64



Ø 15 x 9.5 mm

C x 32



Ø 6 x 30 mm

D x 3



L=350 mm

E x 52



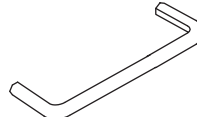
Ø 3 x 12 mm

F x 32



Ø 4 x 35 mm

G x 6

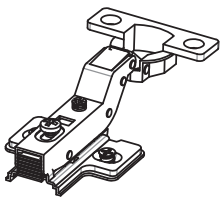


H x 12



Ø 4 x 22 mm

J x 6



K x 36



Ø 3.5 x 14 mm

L x 10

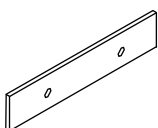


Ø 4 x 35 mm

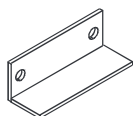
M x 26



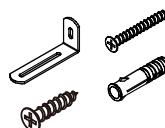
Q x 6

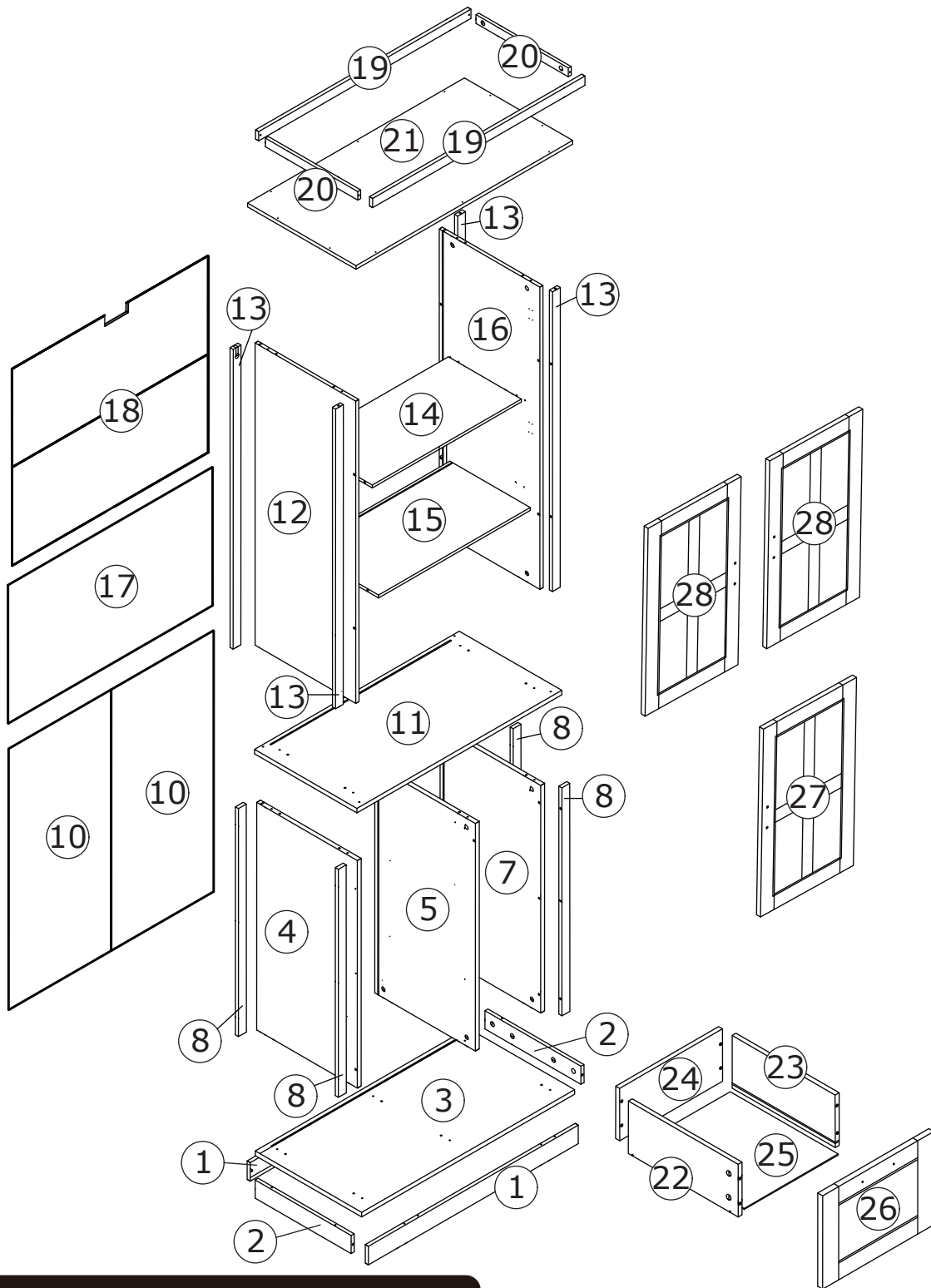


R x 1



T x 1





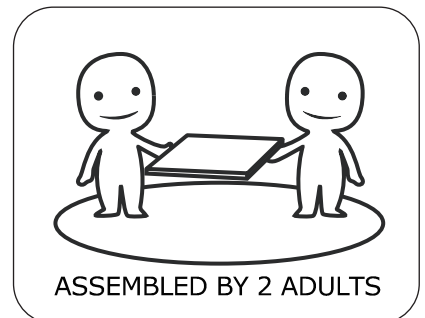
⚠ WARNING



Children have died from furniture tipover. To reduce the risk of furniture tipover:

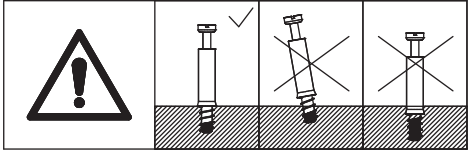
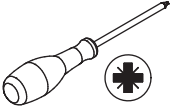
- ALWAYS install Anti-tip device provided.
- NEVER put a TV on this product.
- NEVER allow children to stand, climb or hang on drawers, doors, or shelves.
- NEVER open more than one drawer at a time.
- Place heaviest items in the lowest drawers.

*This is a permanent label.
Do not remove!*

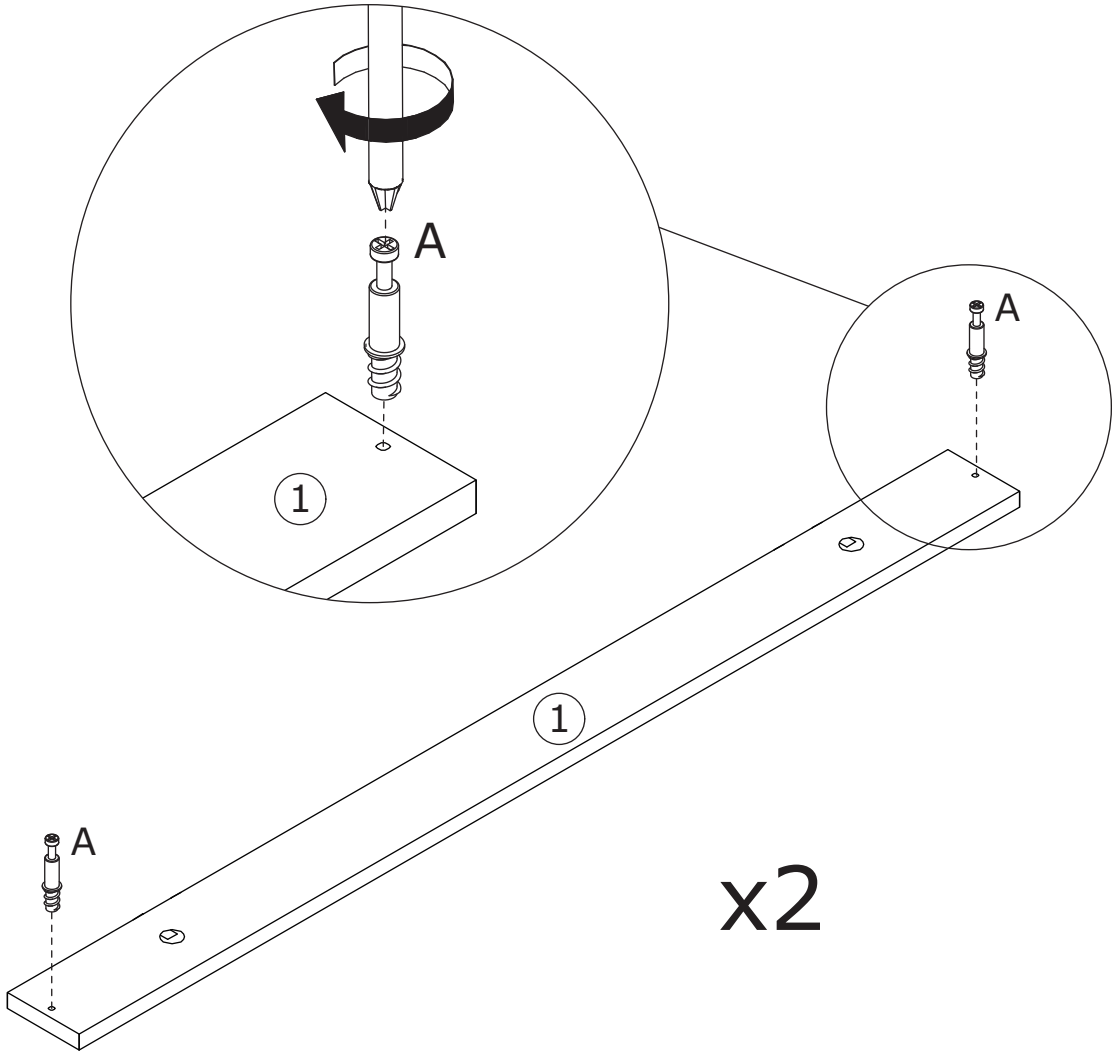


1

A x 4
Ø6 x 35 mm

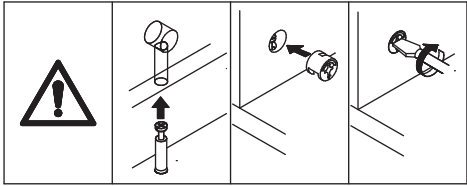
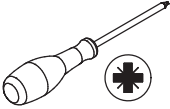


Secure the screw (A) to panel 1 as shown.

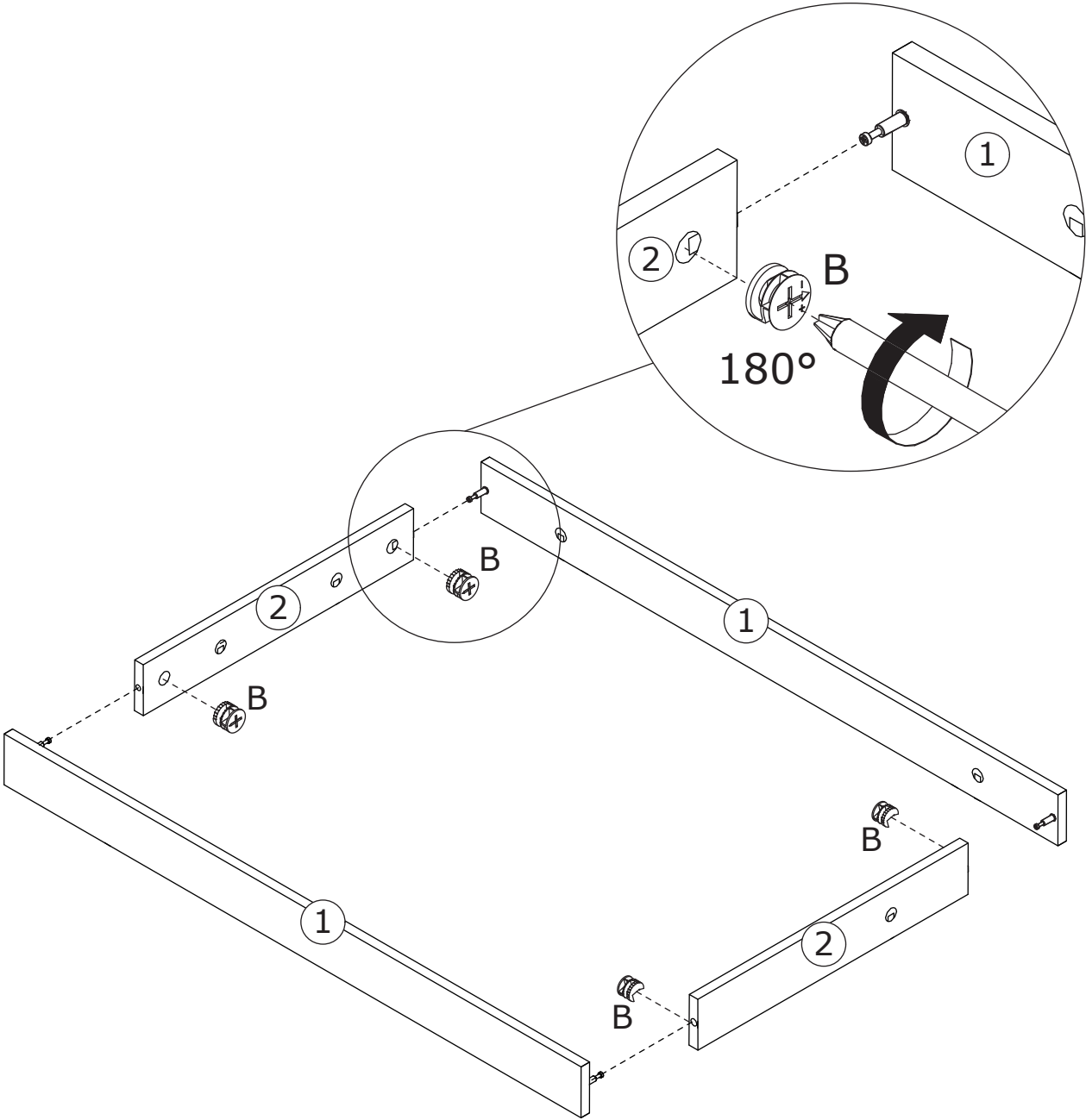


2

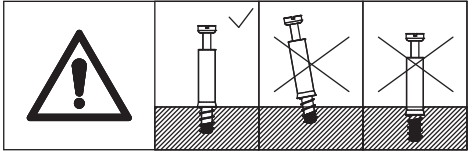
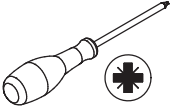
B x 4
Ø 15 x 9.5 mm



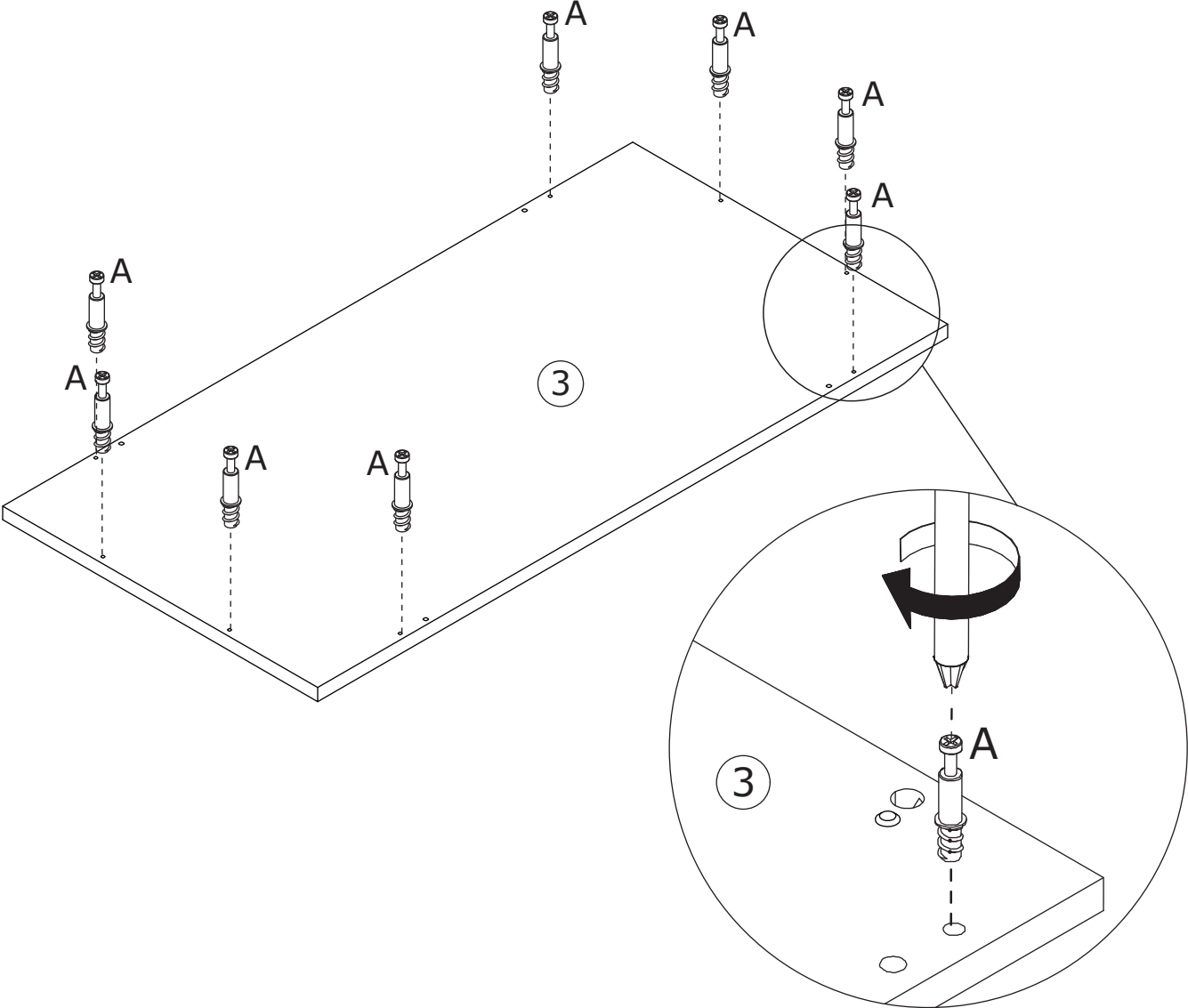
Attach panel 2 to panel 1 as shown and add the eccentric wheel (B) and tighten by turning clockwise.



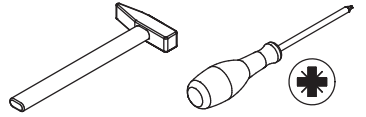
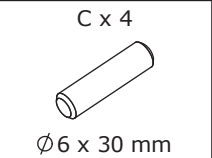
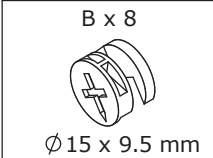
3



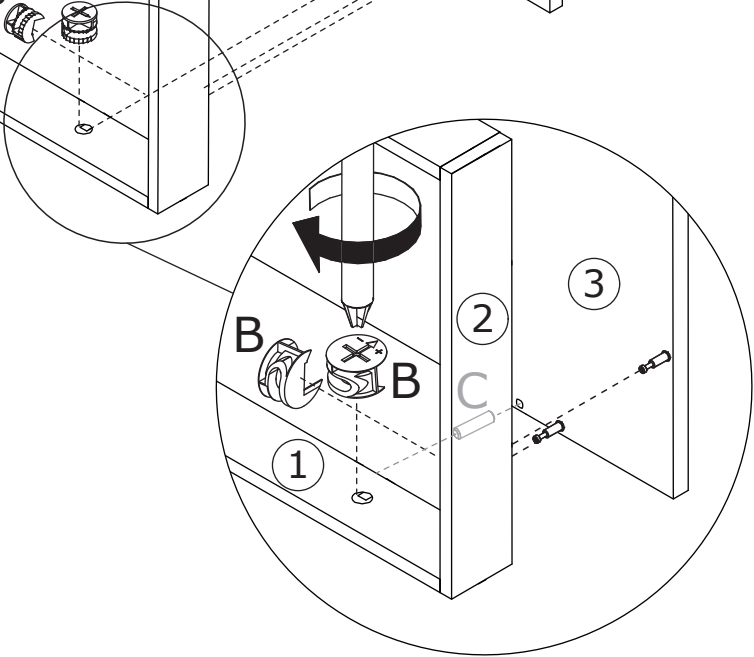
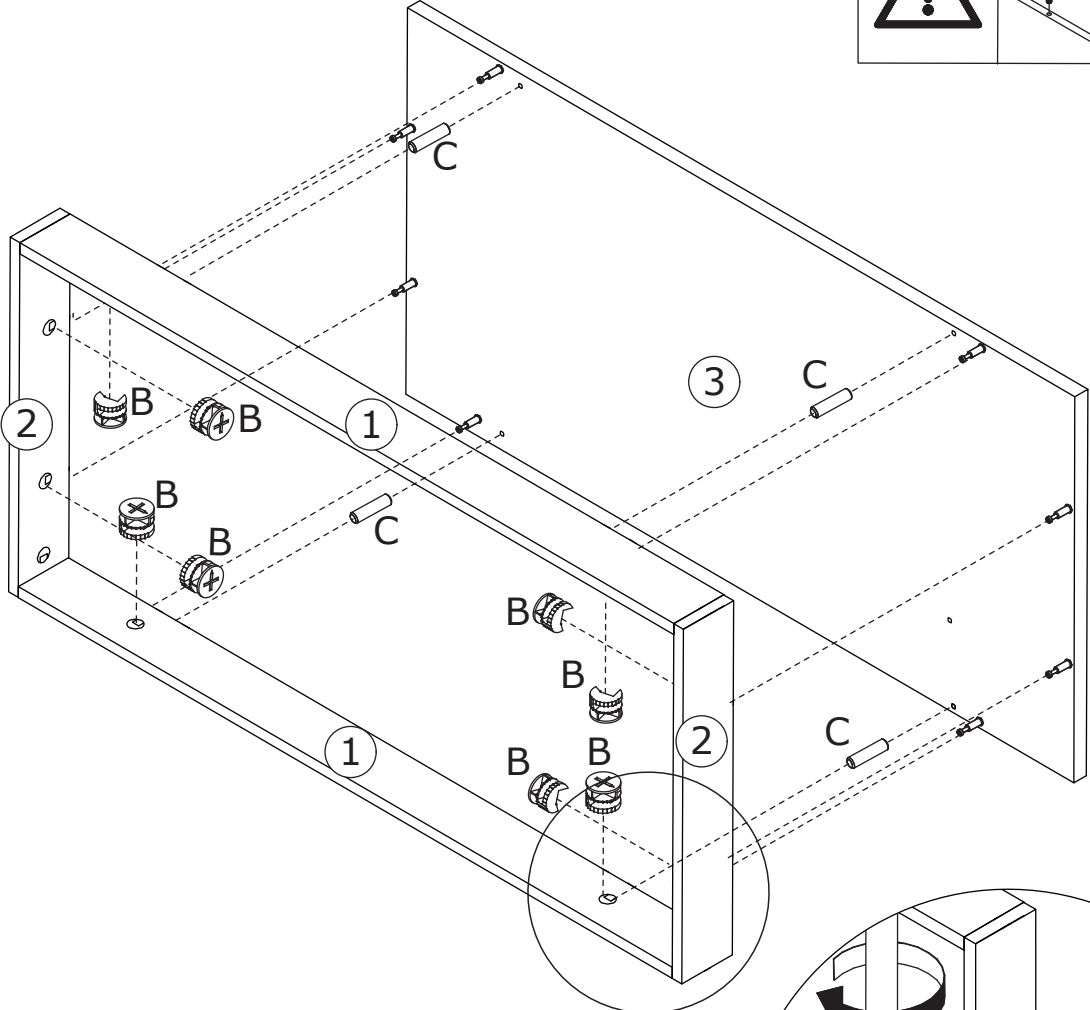
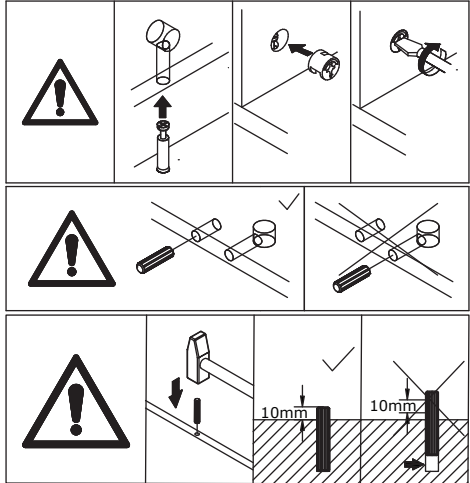
Secure the screw (A) to panel 3 as shown.



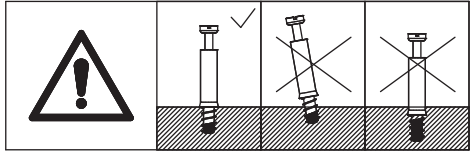
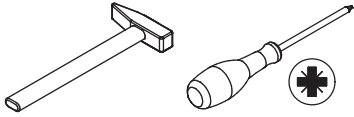
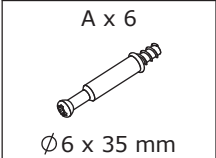
4



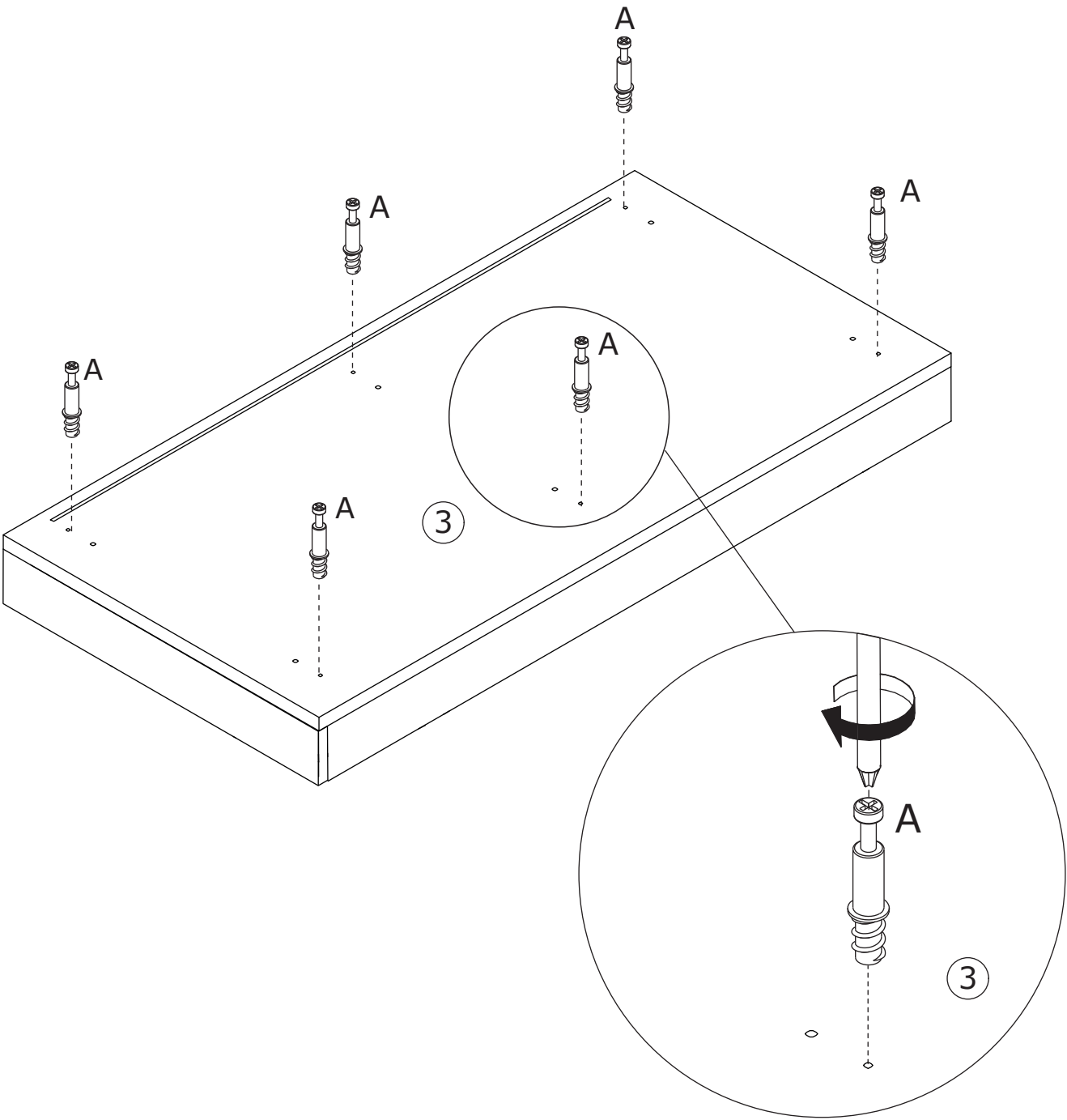
Attach panels 1 and 2 to panel 3 with dowels (C) as shown and add eccentric wheels (B) to tighten in clockwise rotation.



5

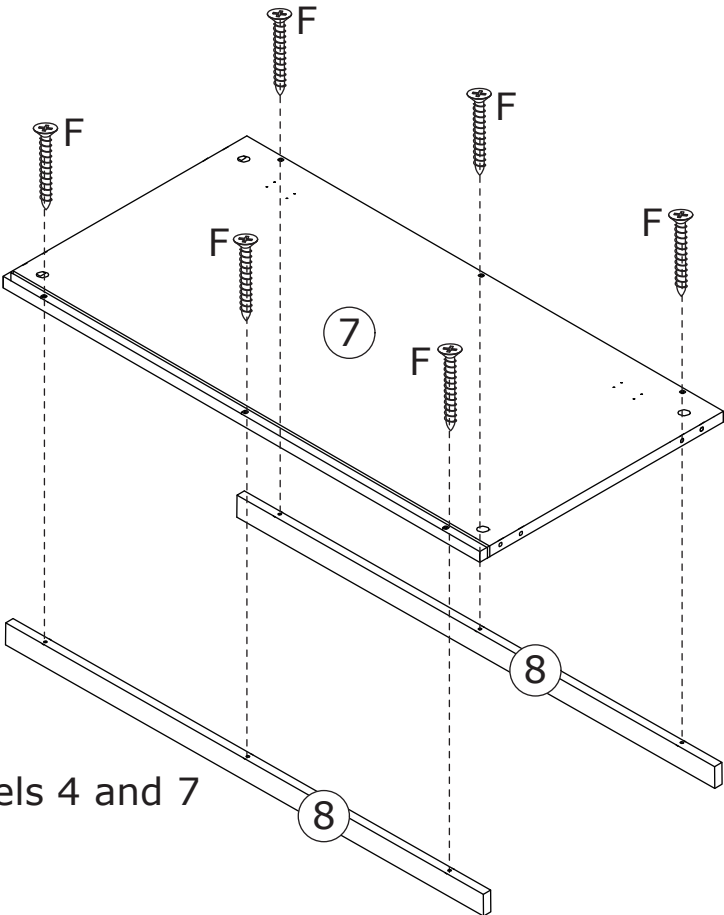
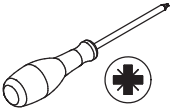


Secure the screw (A) to panel 3 as shown.

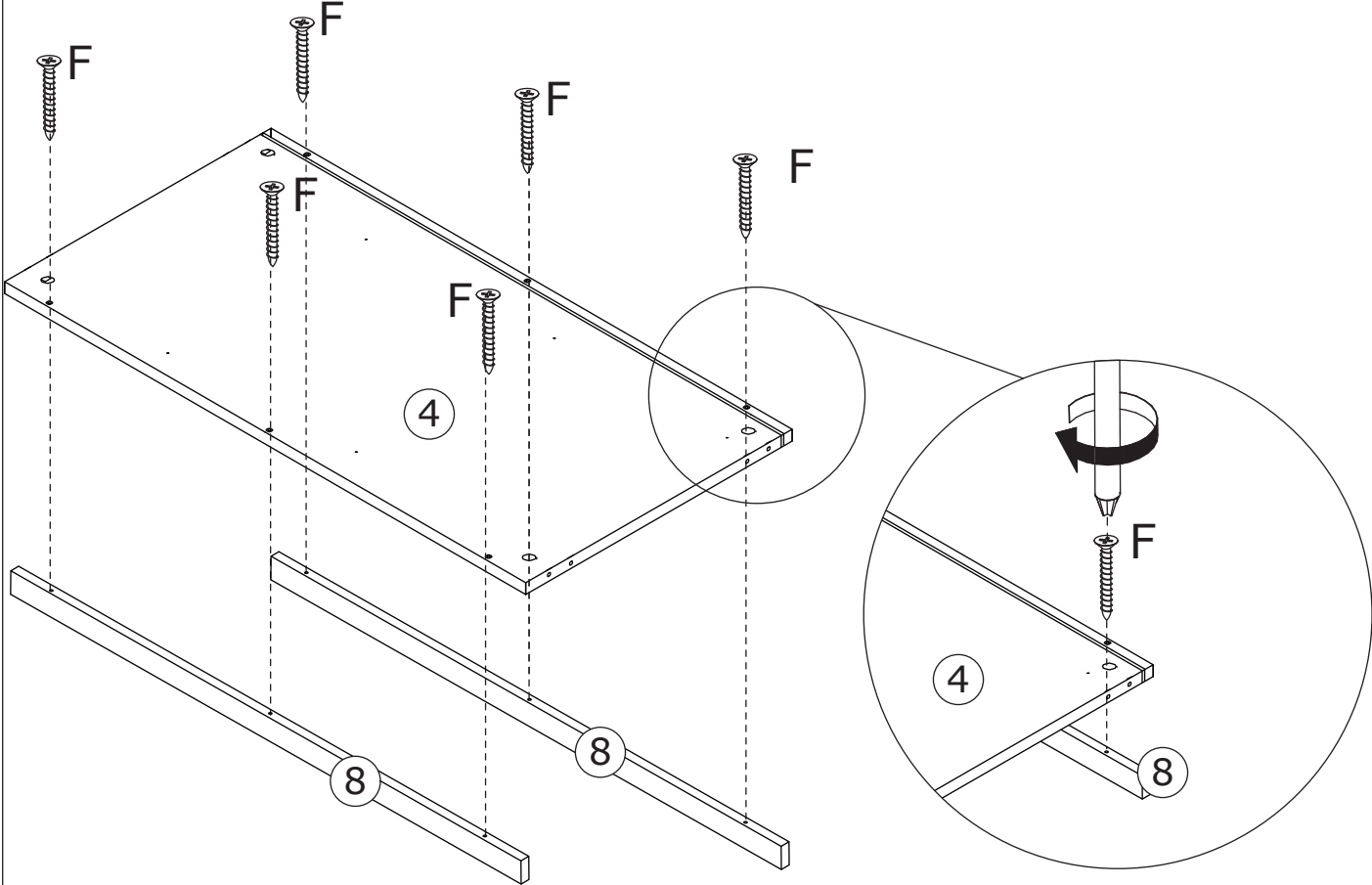


6

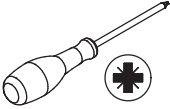
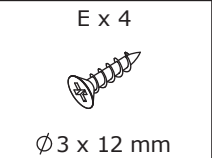
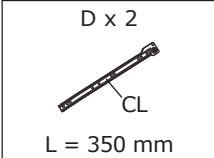
F x 12
Ø4 x 30 mm



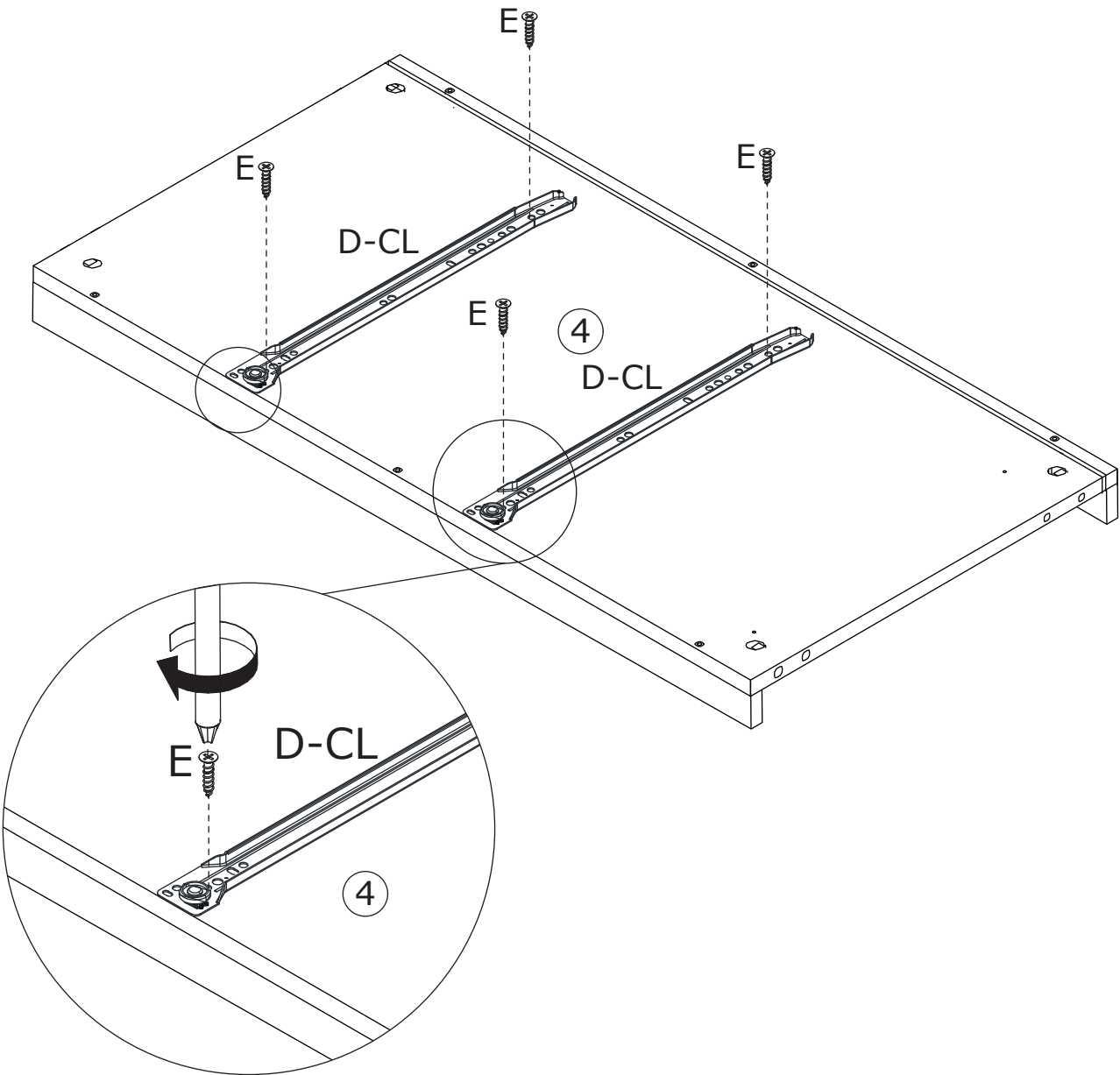
Attach and secure panel 8 to panels 4 and 7 with screws (F) as shown.



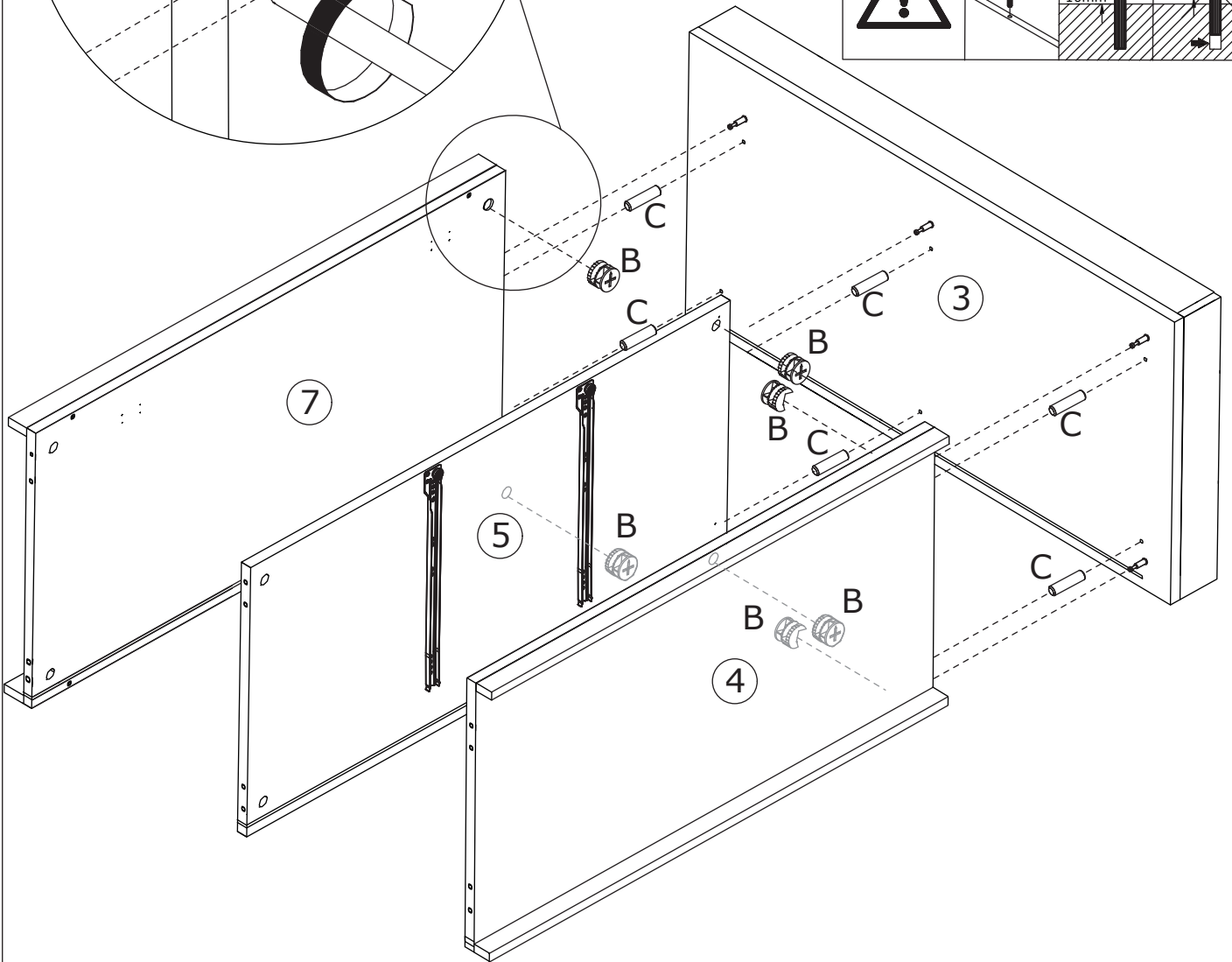
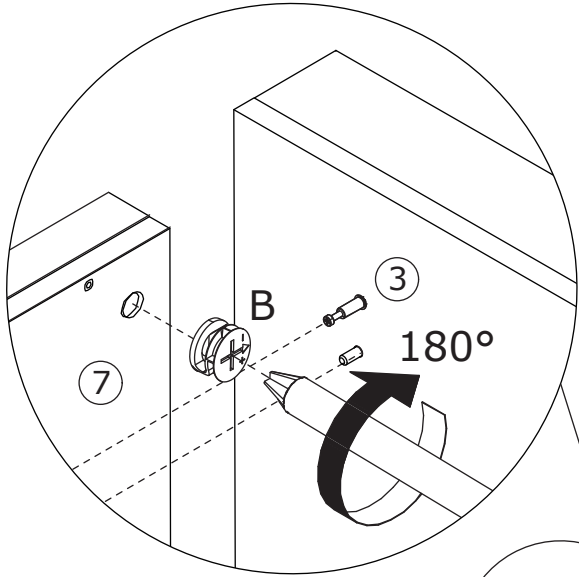
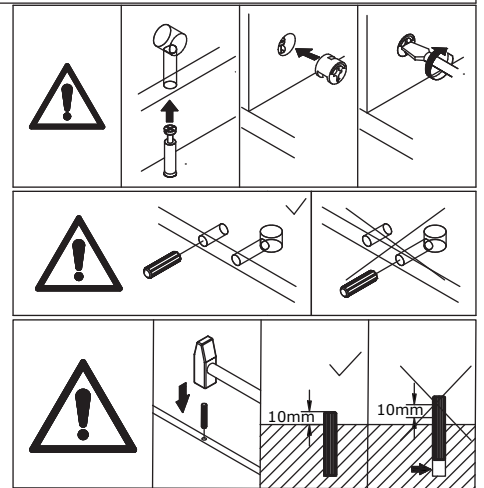
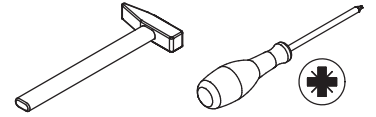
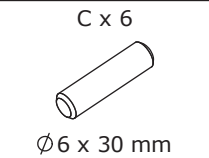
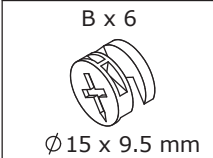
7



Secure the slide (D-CL) in panel 4 with screws (E) as shown.

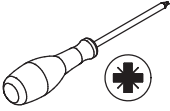


9

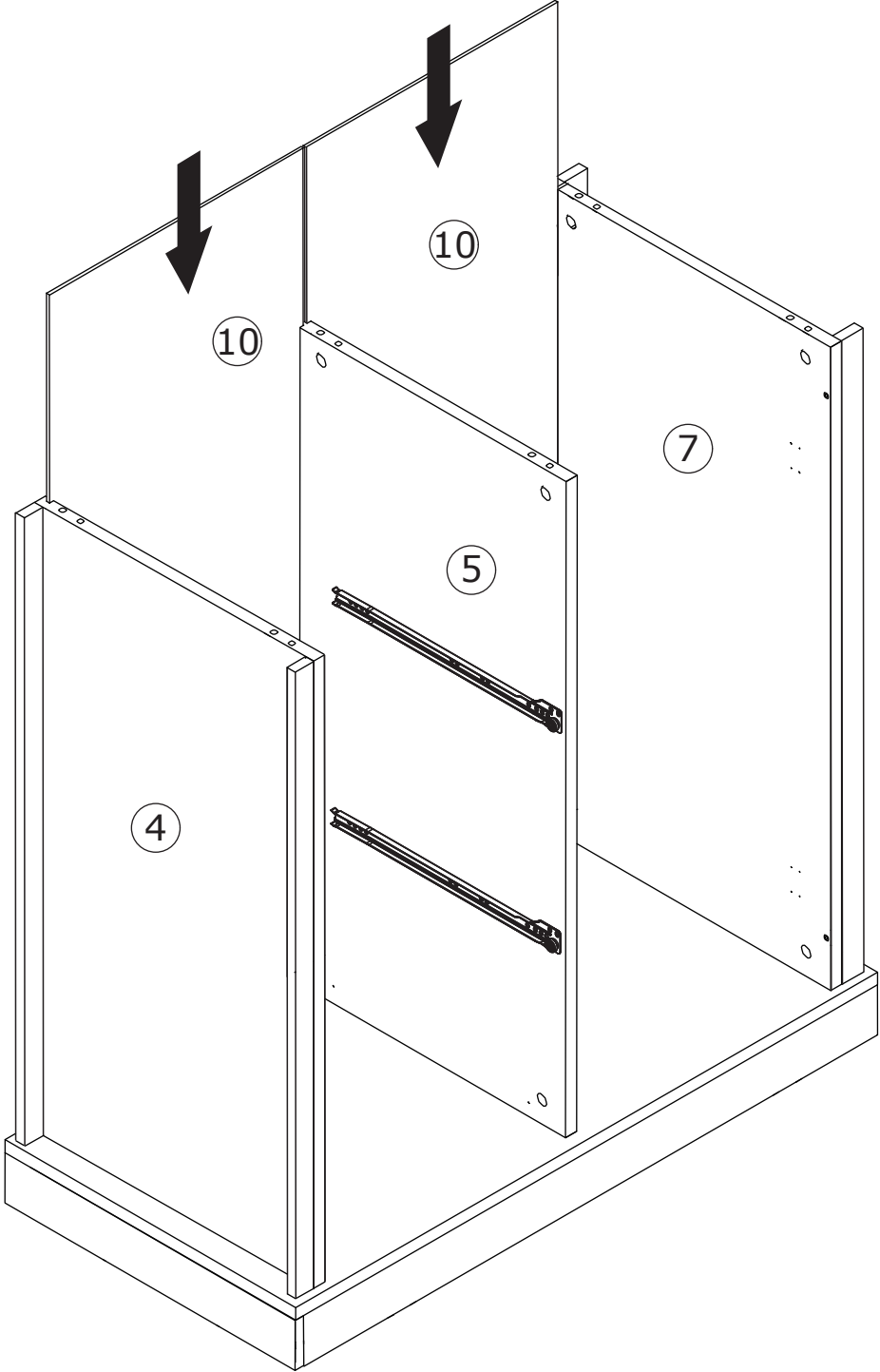


Attach panels 4, 5, and 7 to panel 3 using dowels (C) as shown and add eccentric wheels (B) to tighten in clockwise rotation.

10

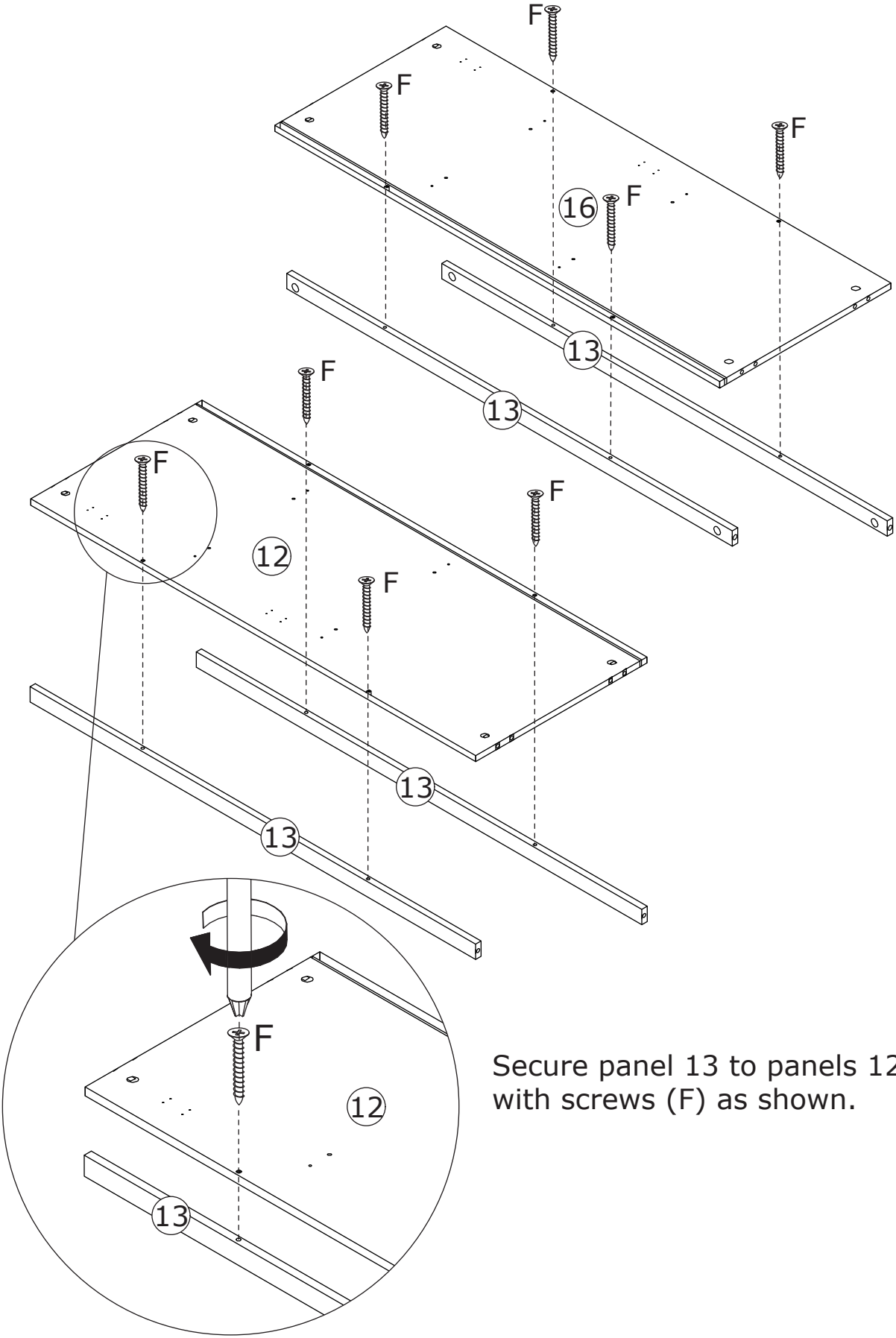
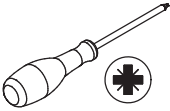


Insert the panel 10 along the available slot as shown.



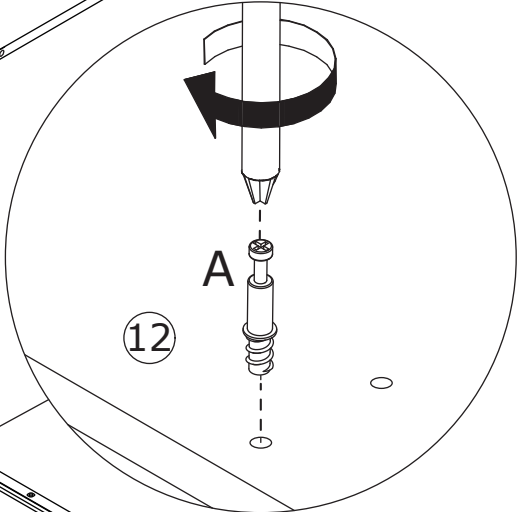
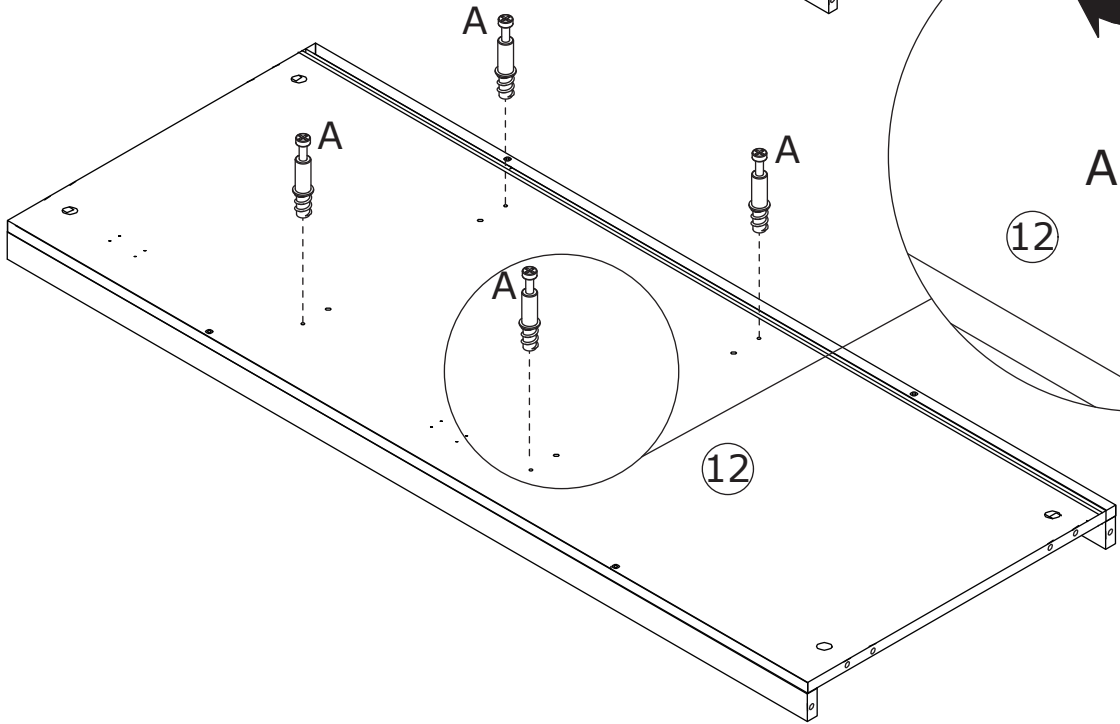
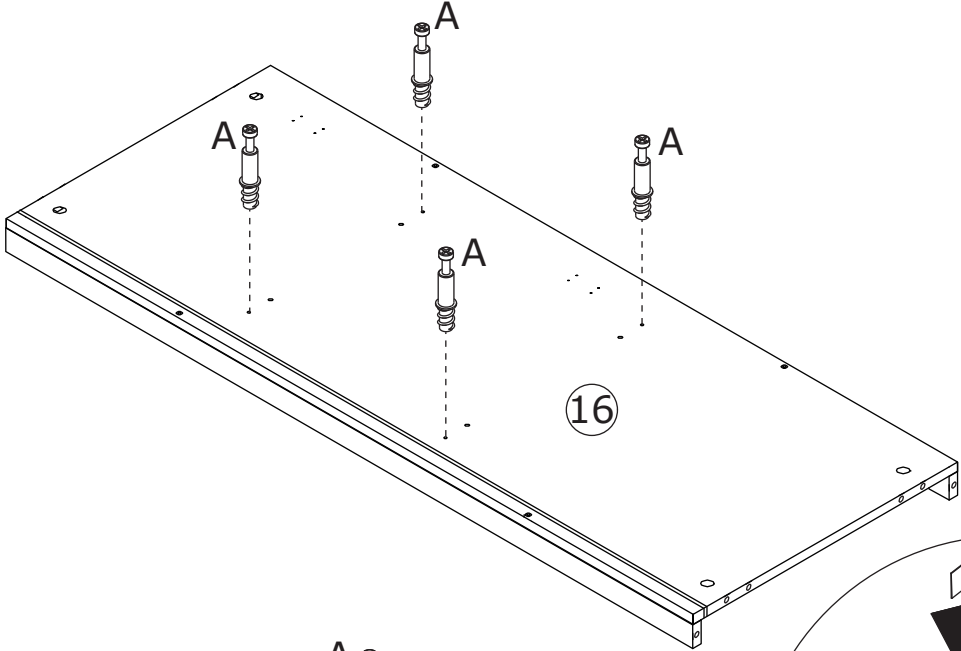
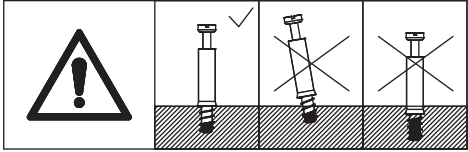
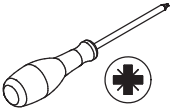
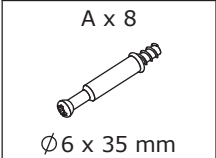
11

F x 8
Ø4 x 30 mm



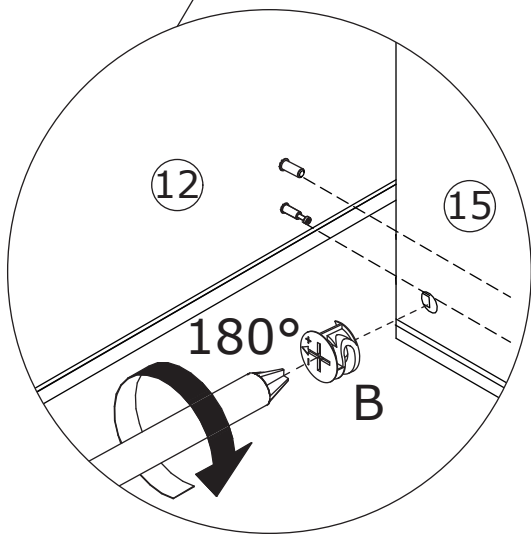
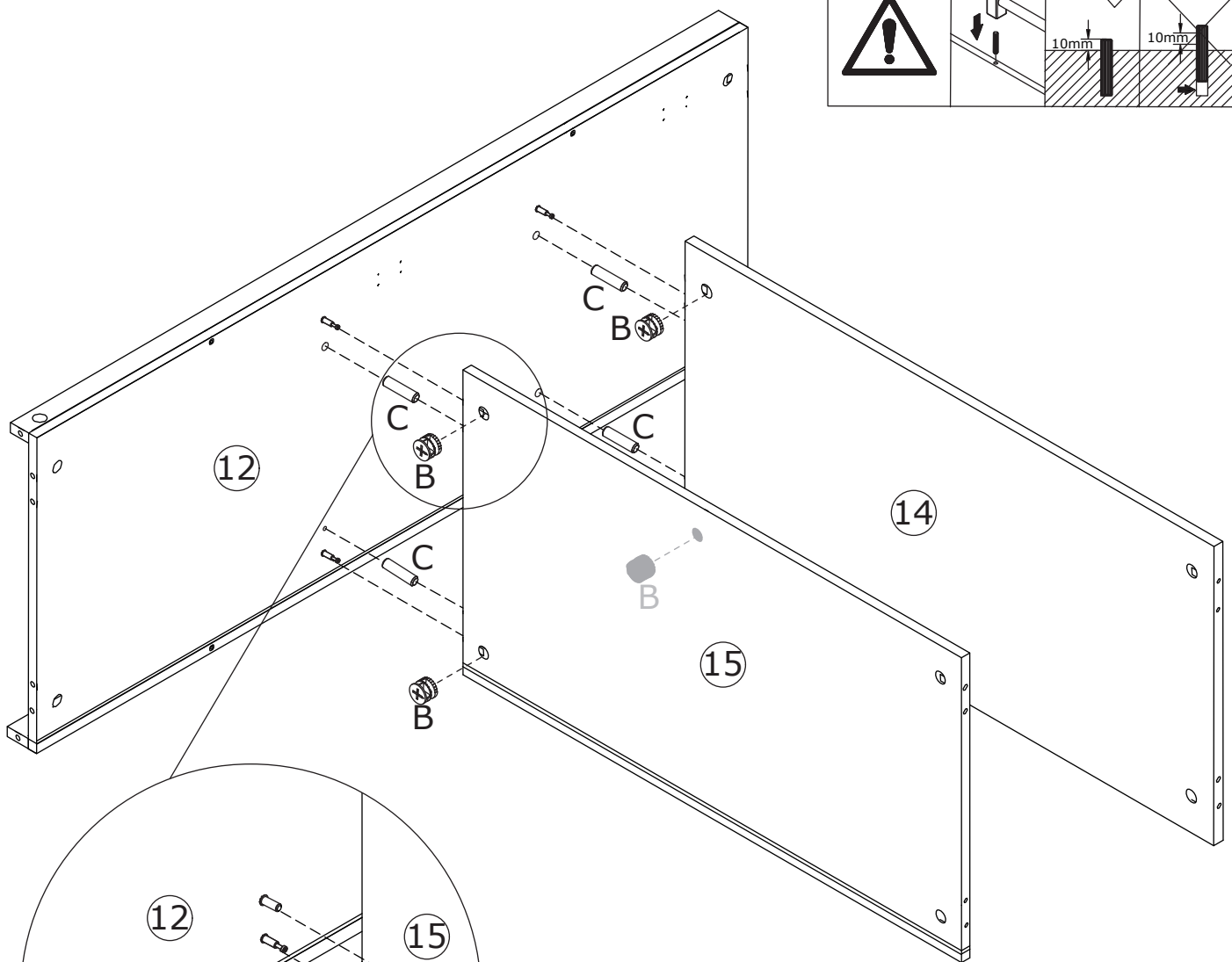
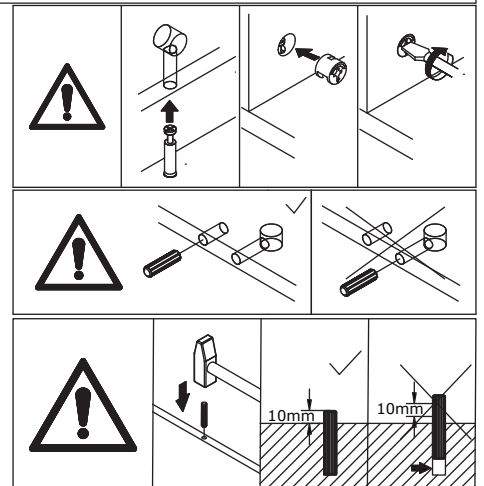
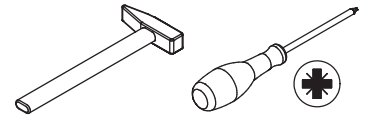
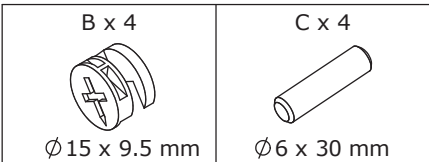
Secure panel 13 to panels 12, 16 with screws (F) as shown.

12



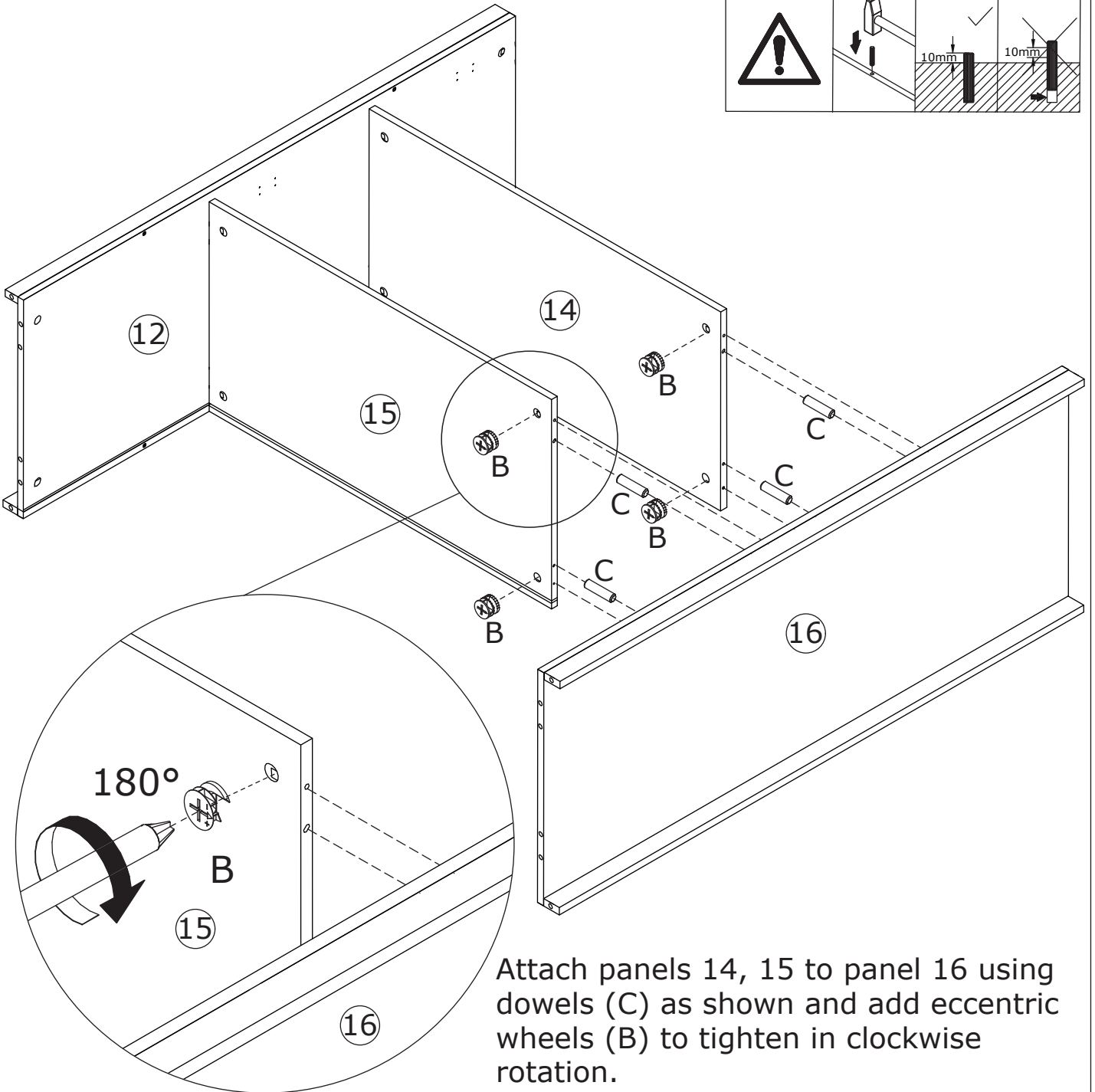
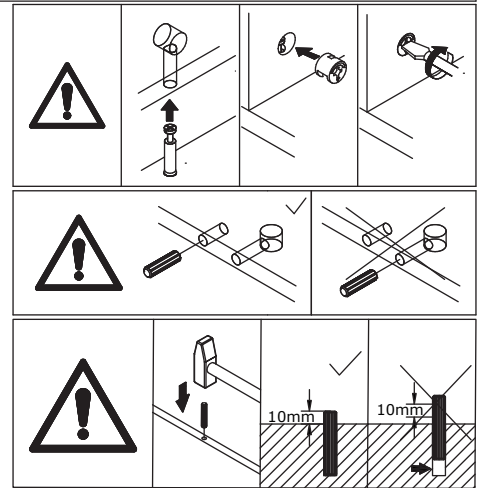
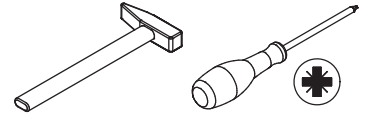
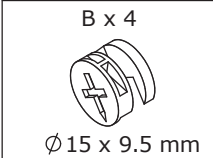
Secure the screw (A) to panel 12, 16 as shown.

13



Attach panels 14, 15 to panel 12 using dowels (C) as shown and add eccentric wheels (B) to tighten in clockwise rotation.

14

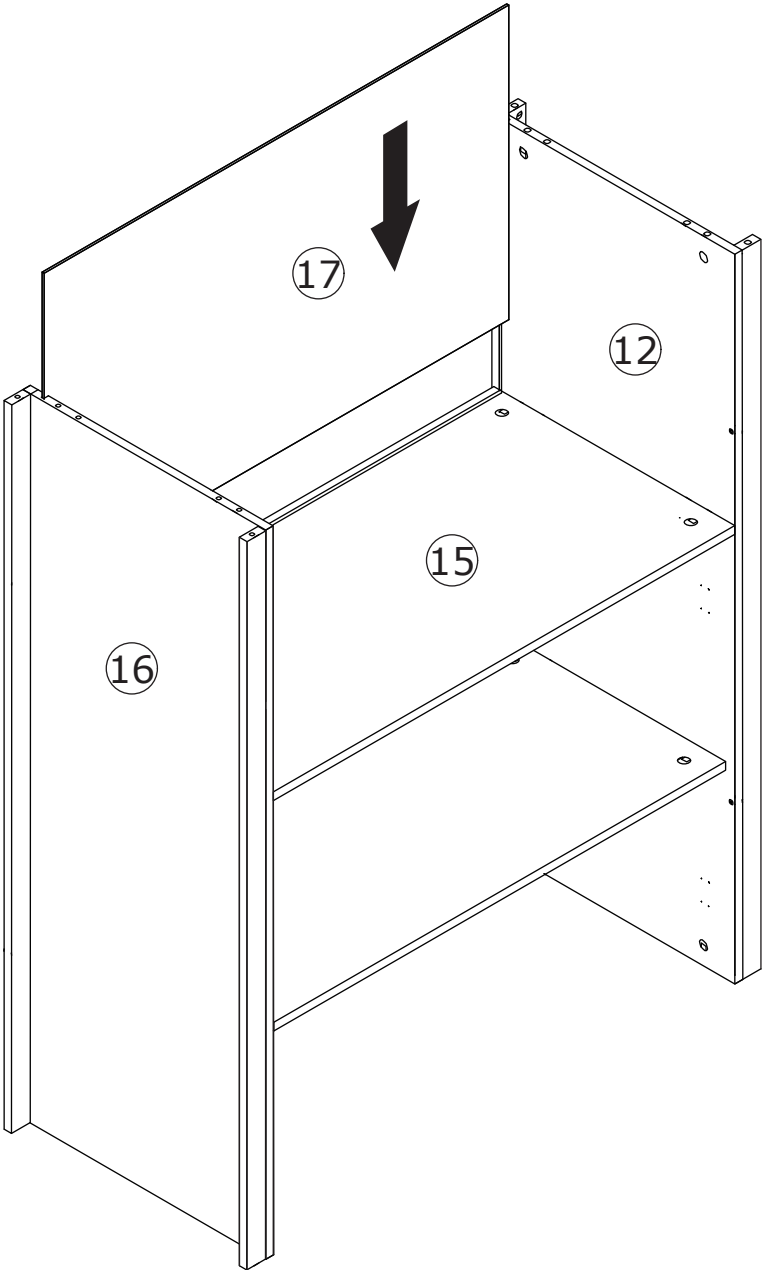


Attach panels 14, 15 to panel 16 using dowels (C) as shown and add eccentric wheels (B) to tighten in clockwise rotation.

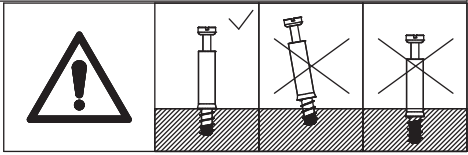
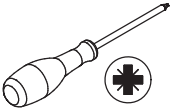
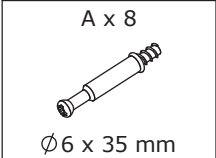
15



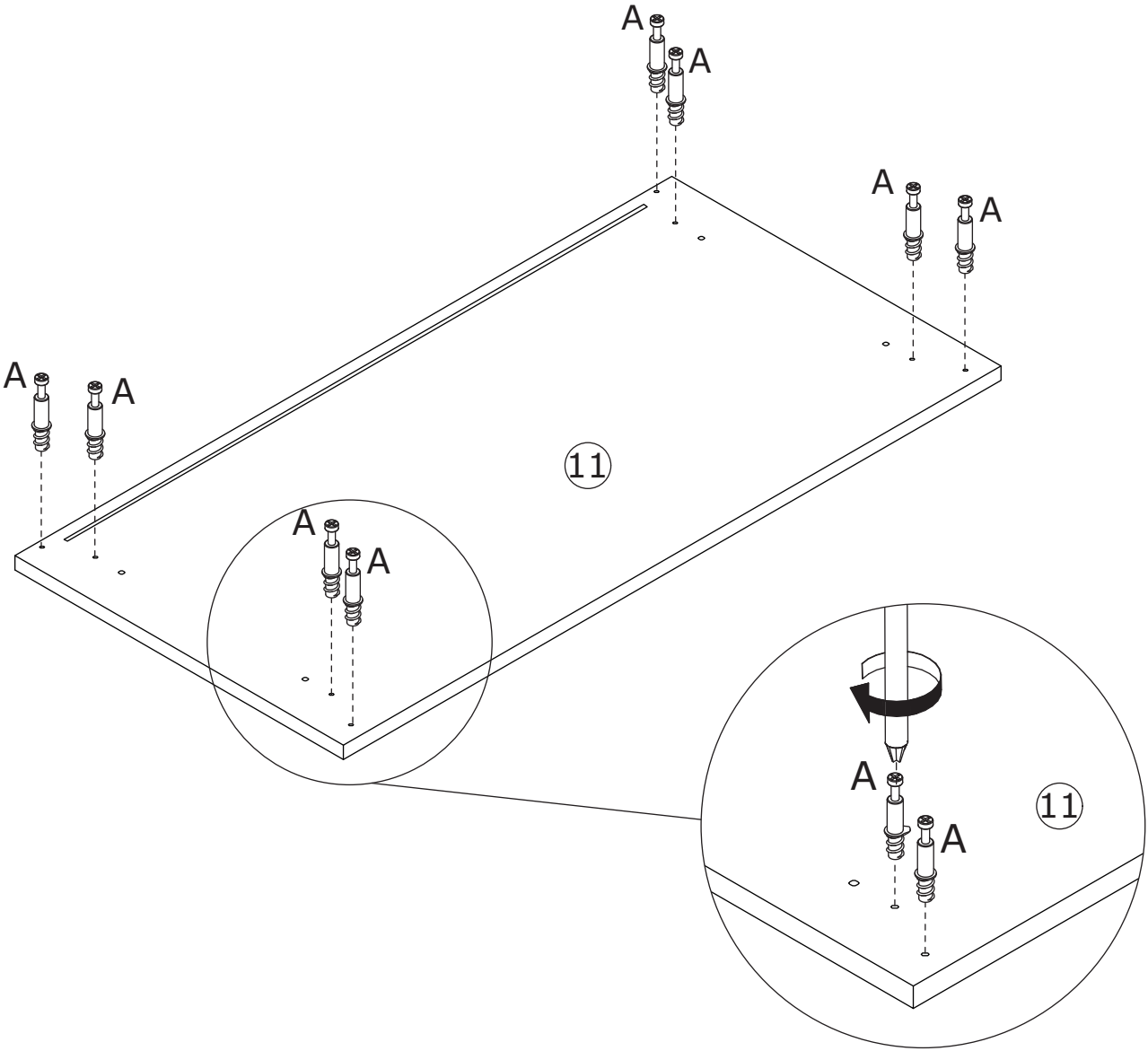
Insert the panel 17 along the available slot as shown.



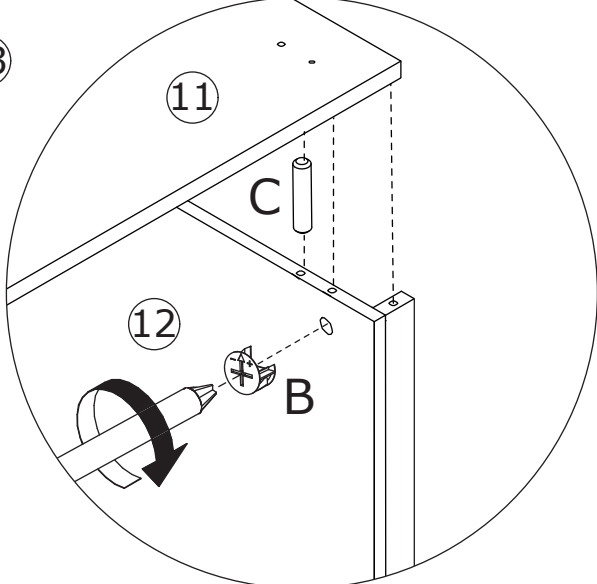
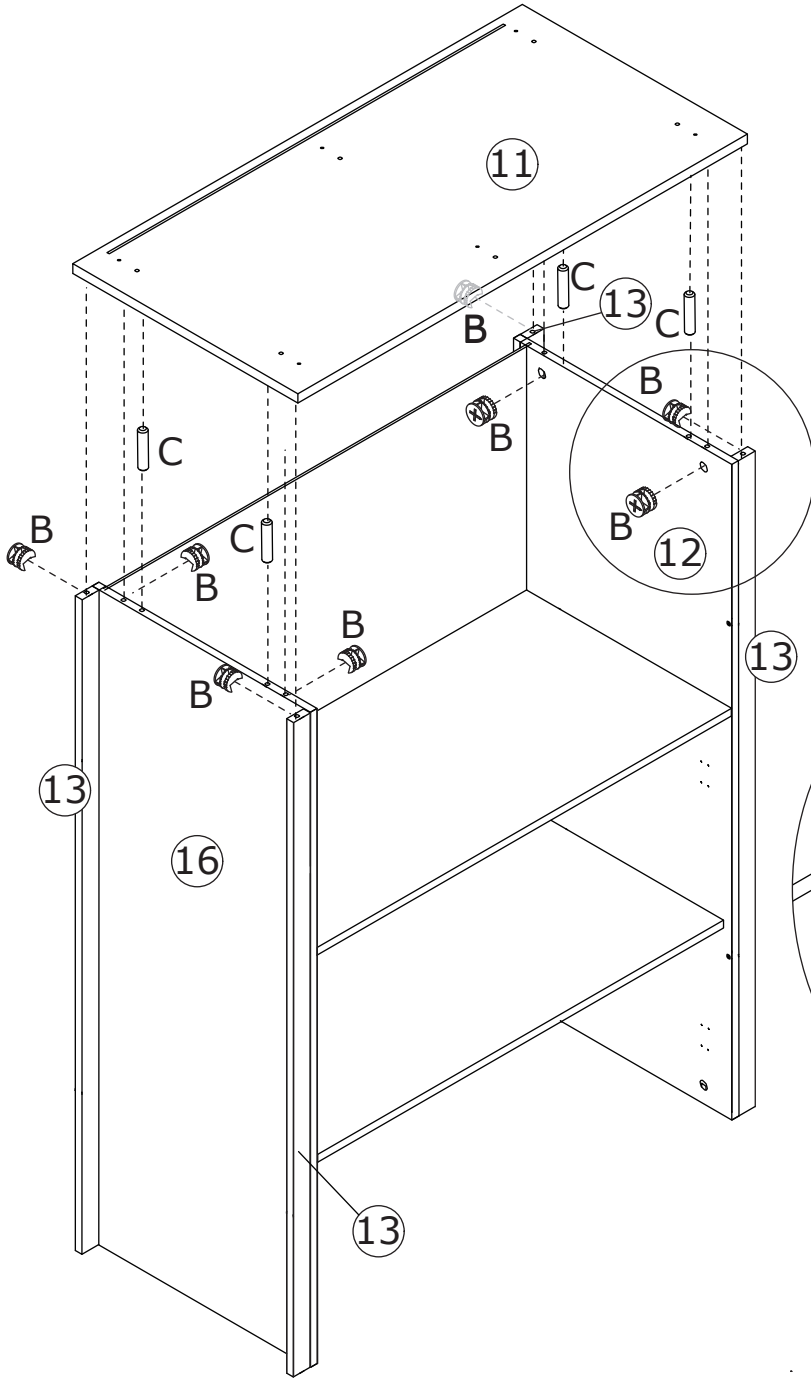
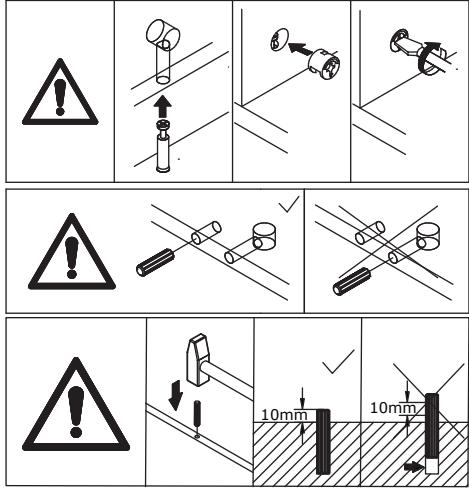
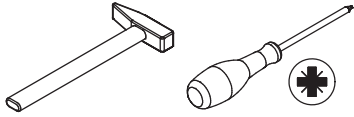
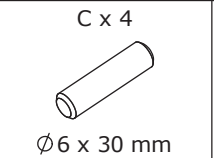
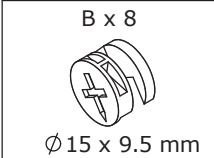
16



Secure the screw (A) to panel 11 as shown.



17

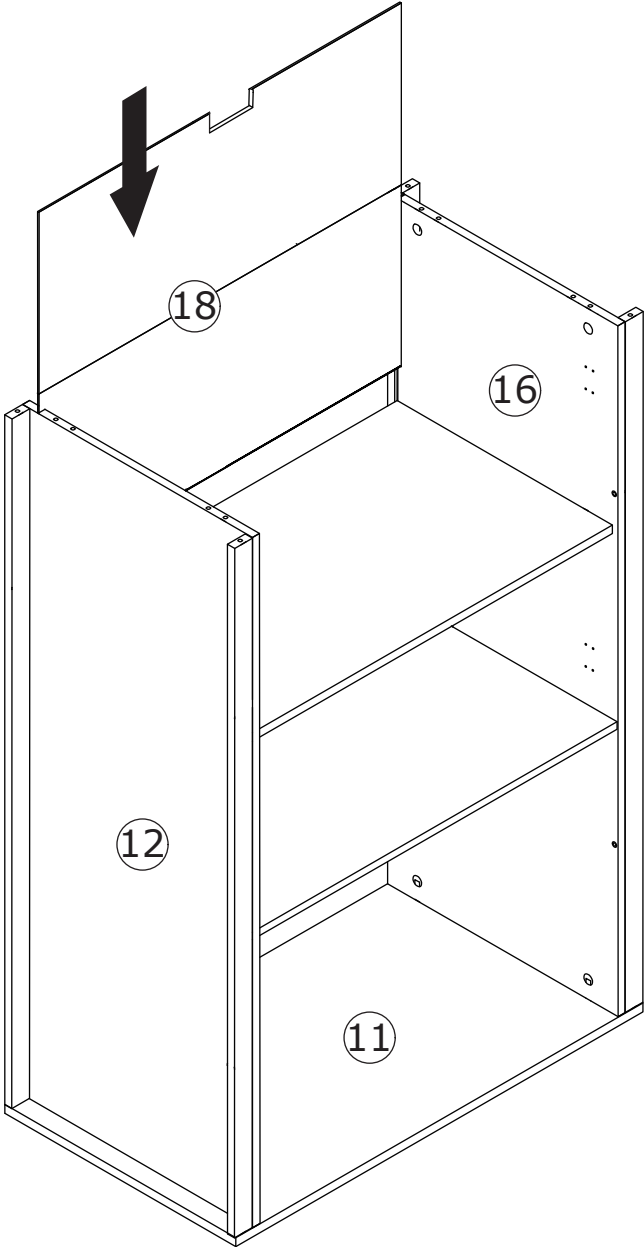


Attach panels 12,13,16 to panel 11 using dowels (C) as shown and add eccentric wheels (B) to tighten in clockwise rotation.

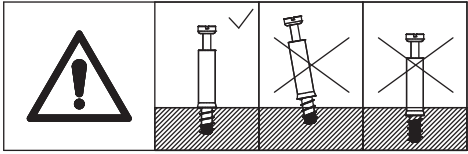
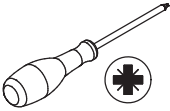
18



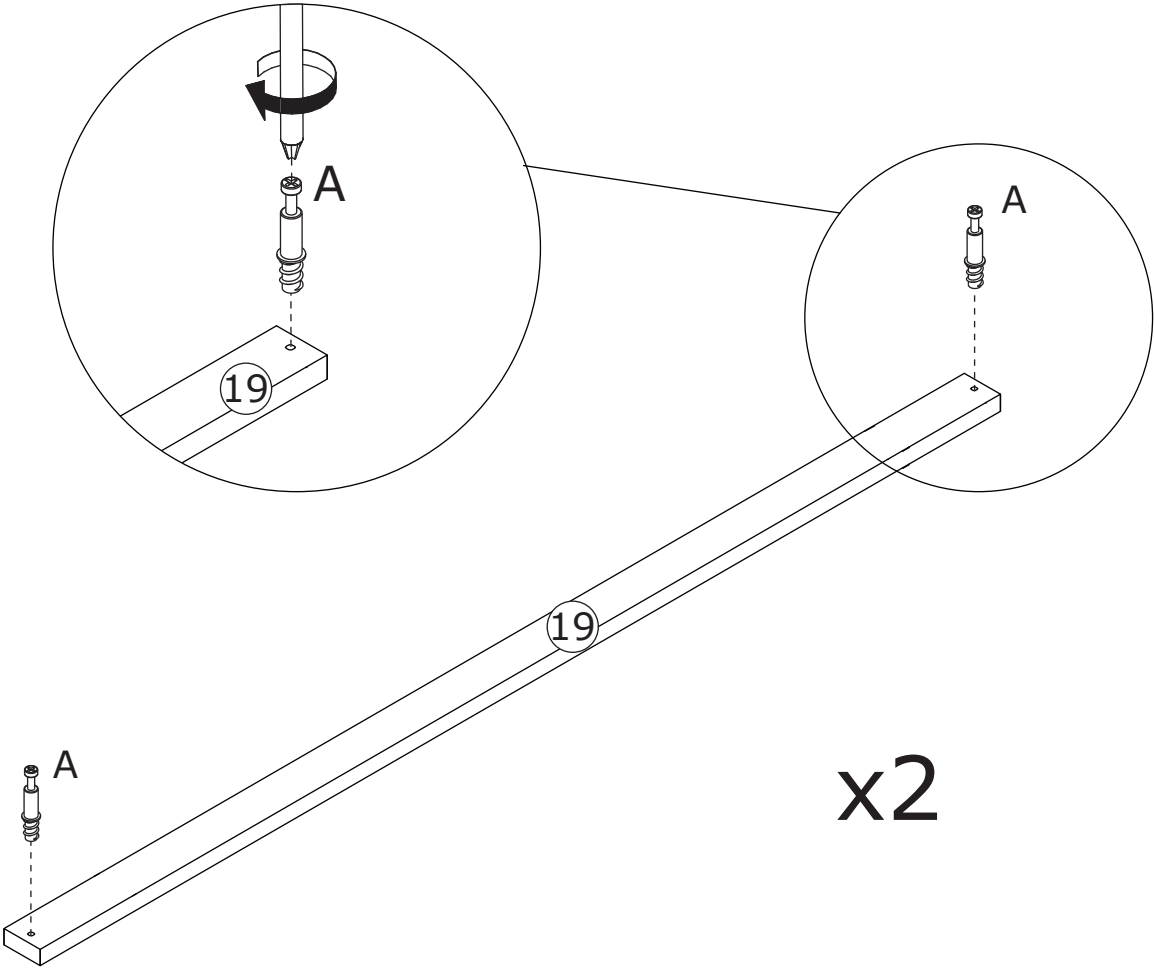
Insert the panel 18 along the available slot as shown.



19

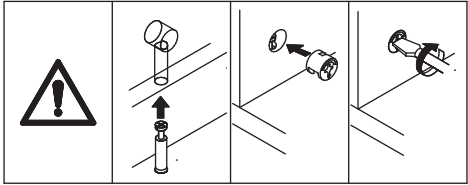
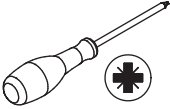


Secure the screw (A) to panel 19 as shown.

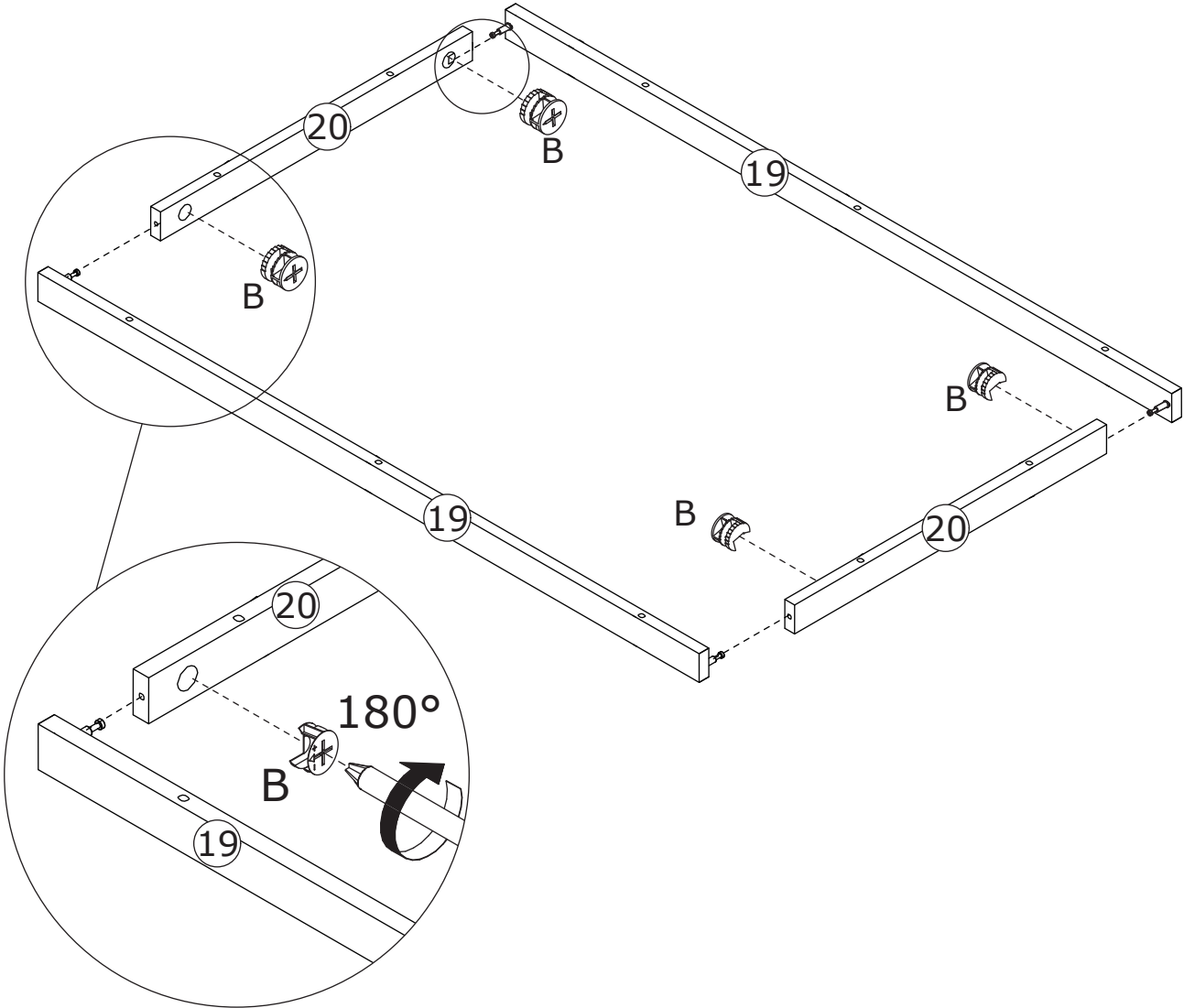


20




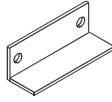
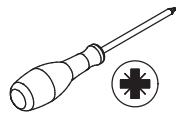
B x 4
Ø 15 x 9.5 mm

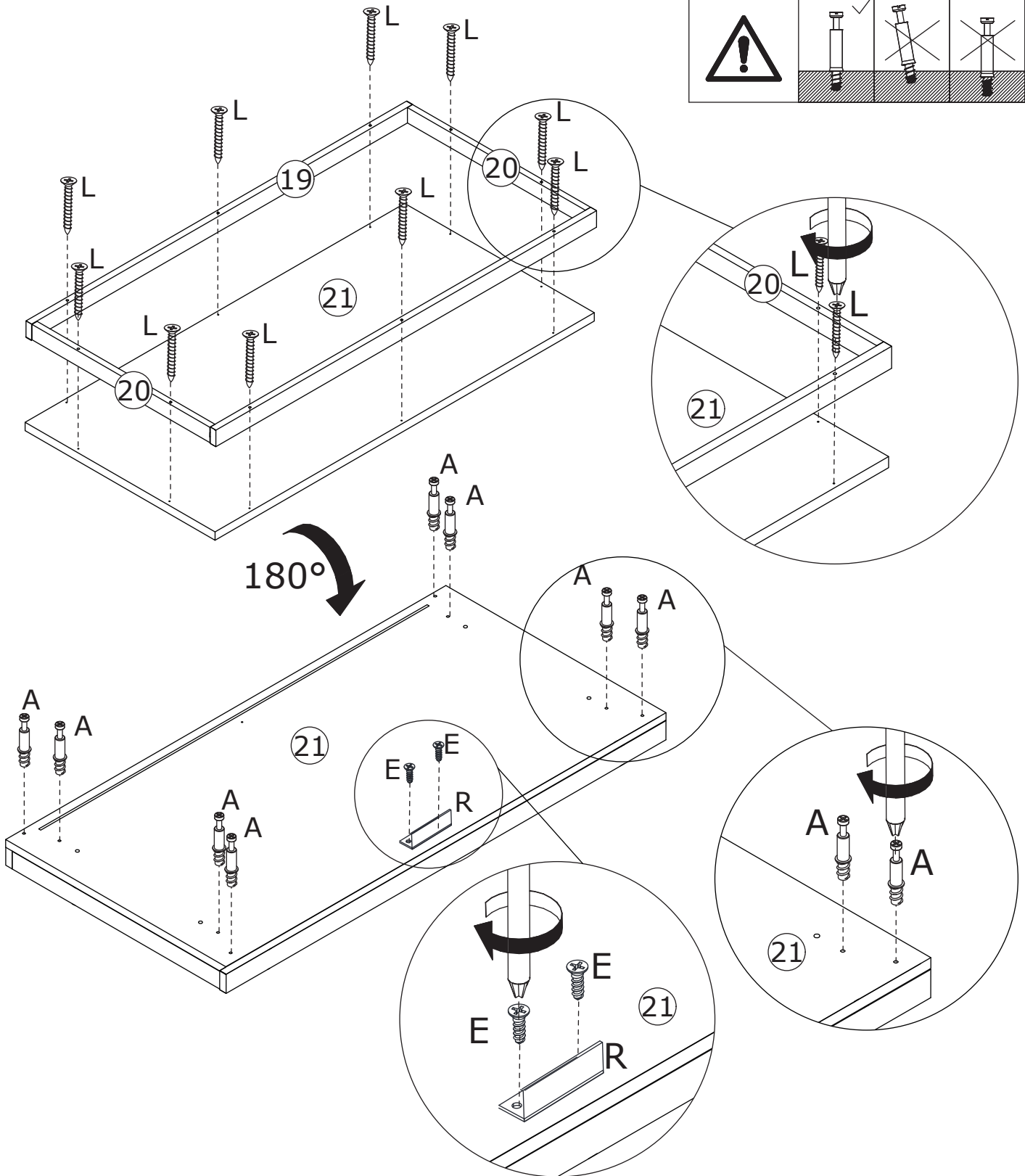
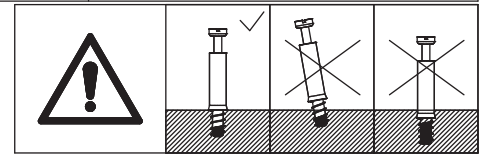


Attach panel 20 to panel 19 as shown and add the eccentric wheel (B) and tighten by turning clockwise.



21

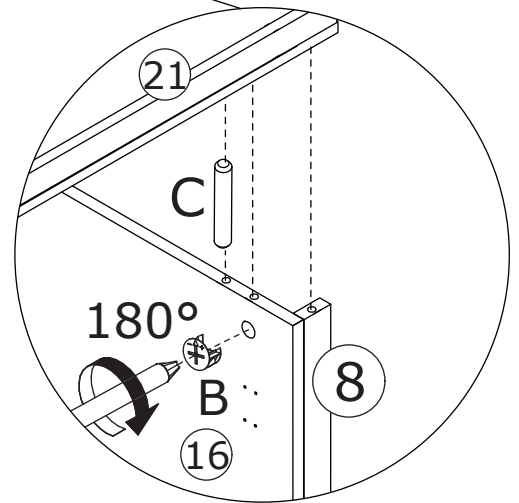
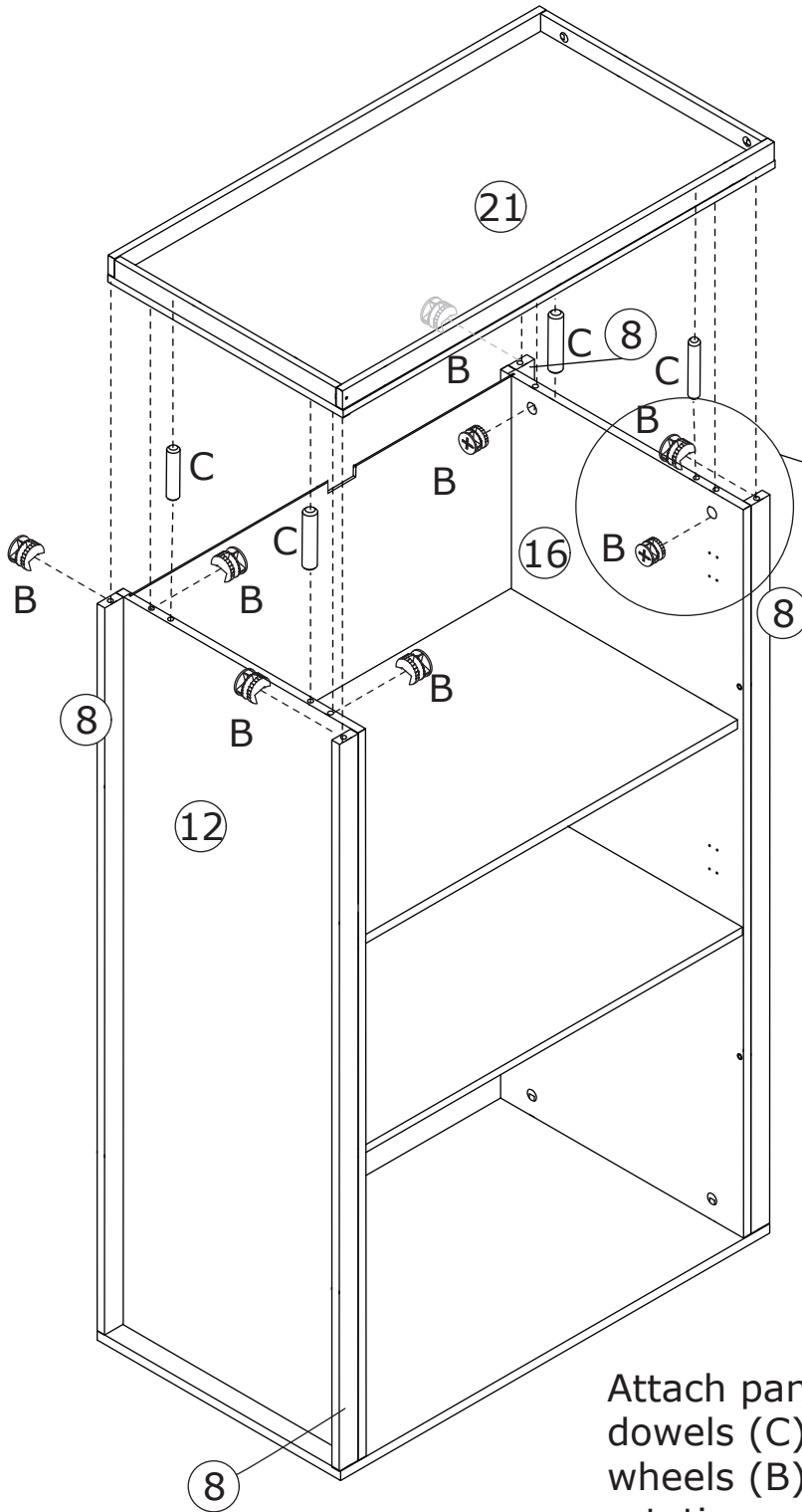
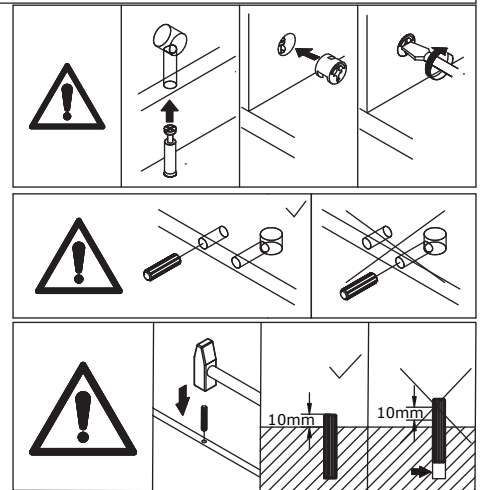
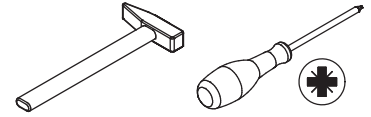
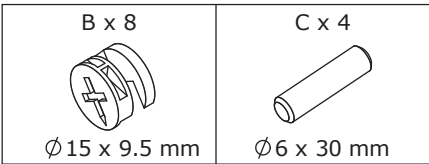
<p>A x 8</p>  <p>Ø6 x 35 mm</p>	<p>E x 2</p>  <p>Ø3 x 12 mm</p>	<p>L x 10</p>  <p>Ø4 x 35 mm</p>	<p>R x 1</p> 	
--	--	---	---	---



The panel 19, 20 are secured to panel 21 with screws (L) as shown.

Flip the combination unit as shown, secure the screw (A) to panel 21, and secure the fitting (R) with the screw (E).

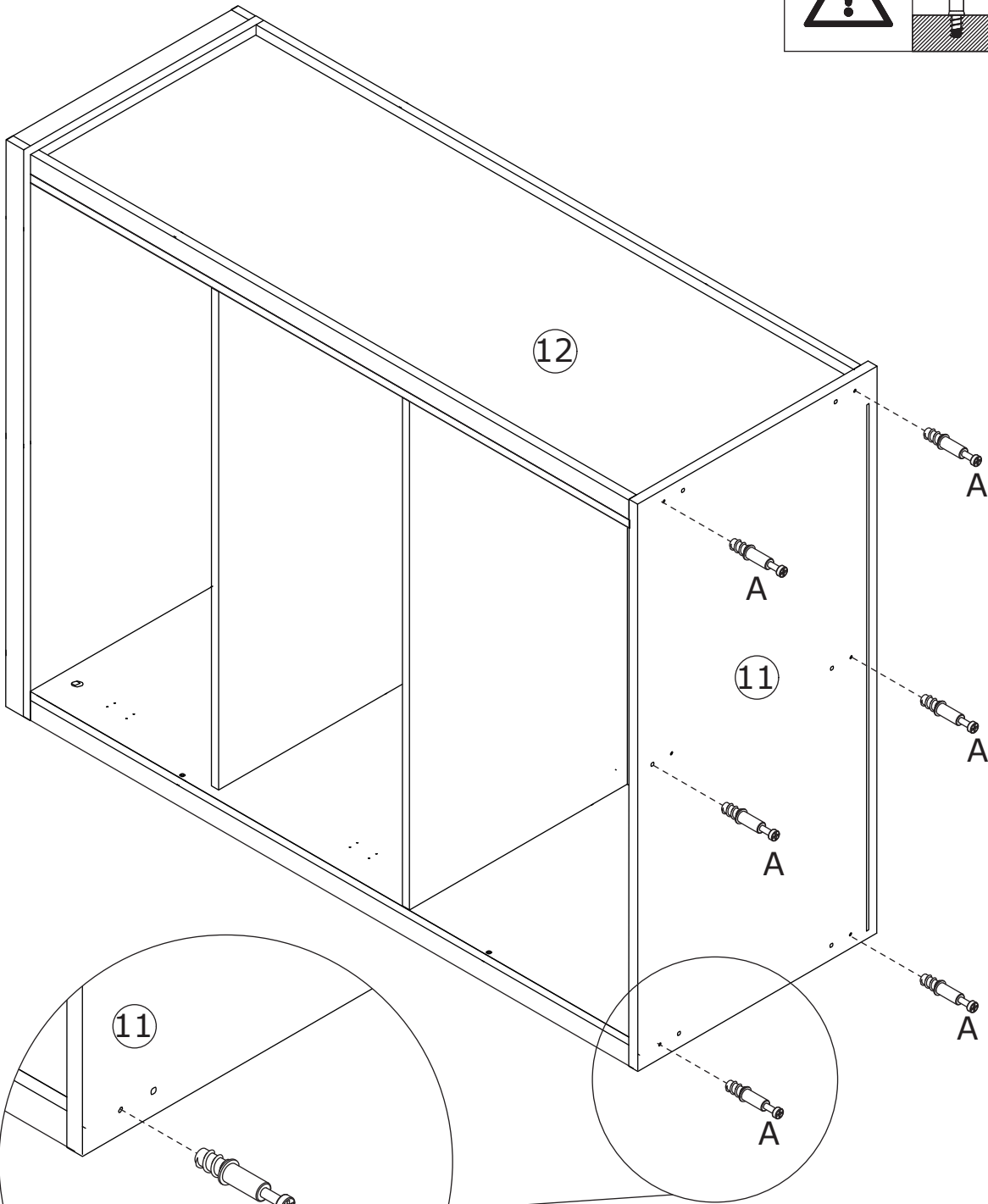
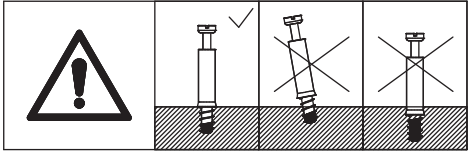
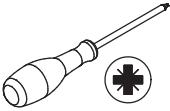
22



Attach panels 8,12,16 to panel 21 using dowels (C) as shown and add eccentric wheels (B) to tighten in clockwise rotation.

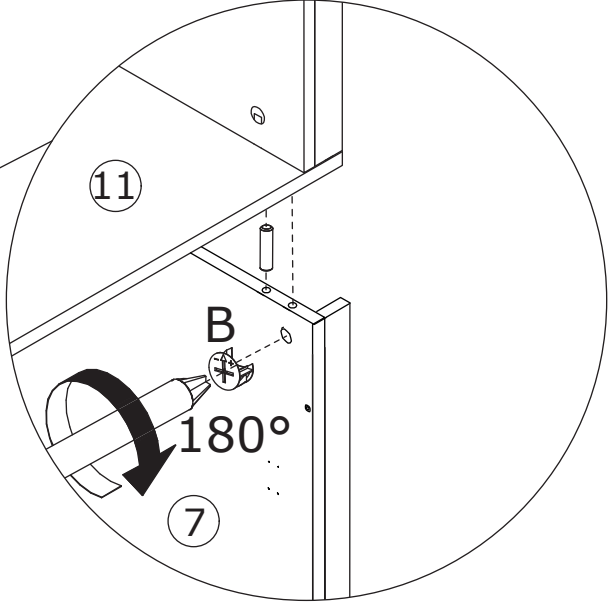
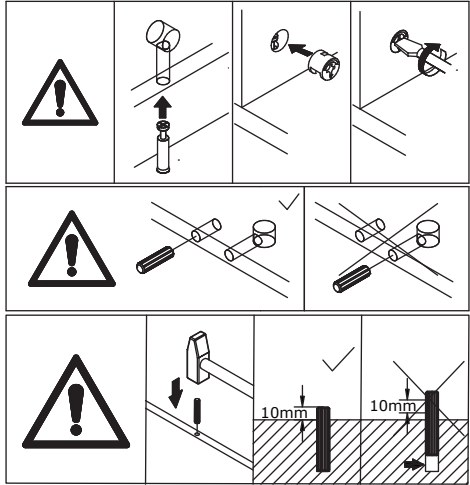
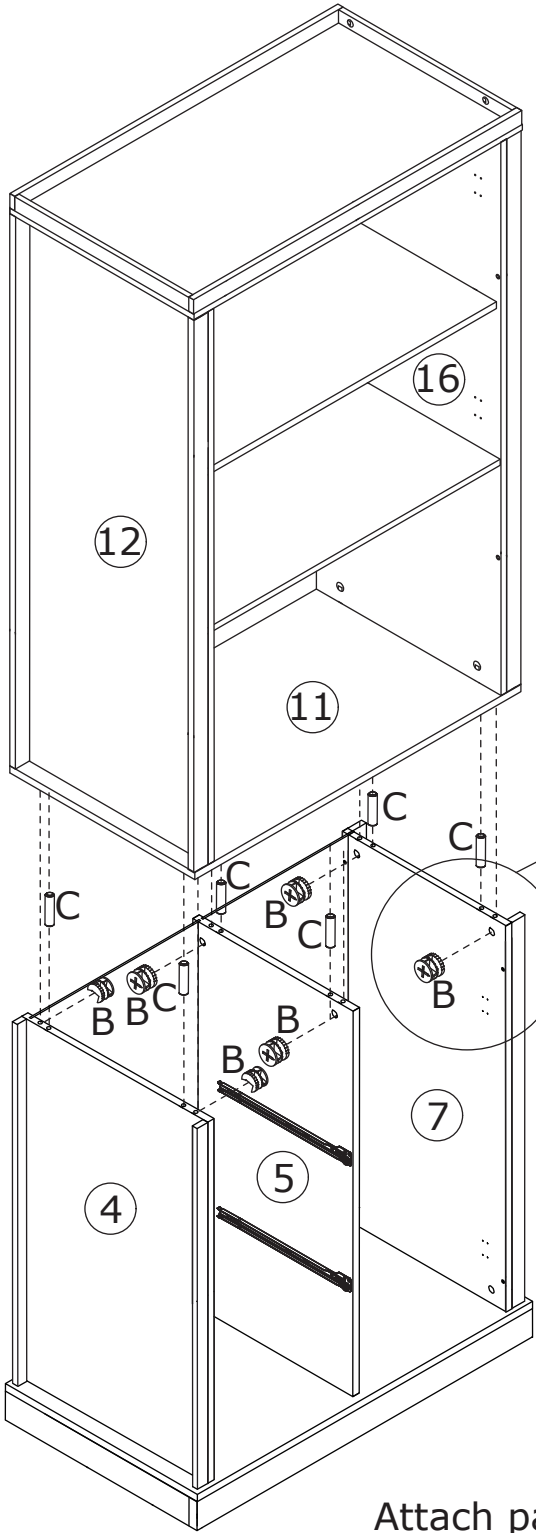
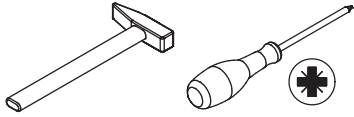
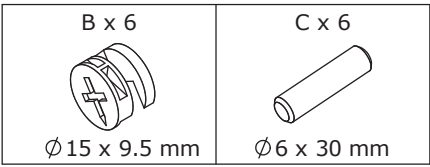
23

A x 6
Ø6 x 35 mm



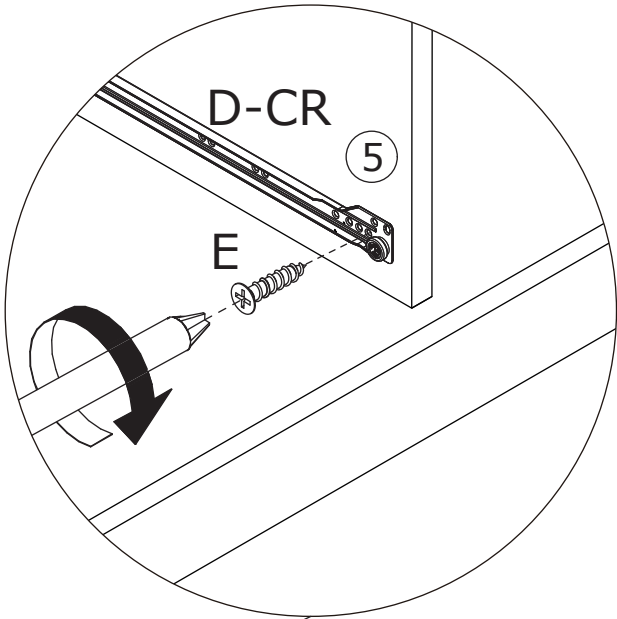
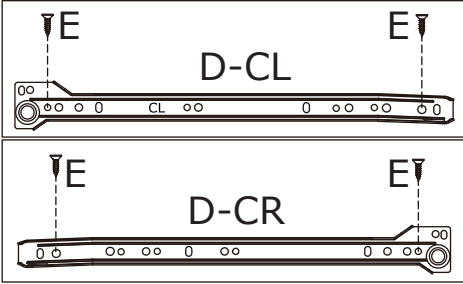
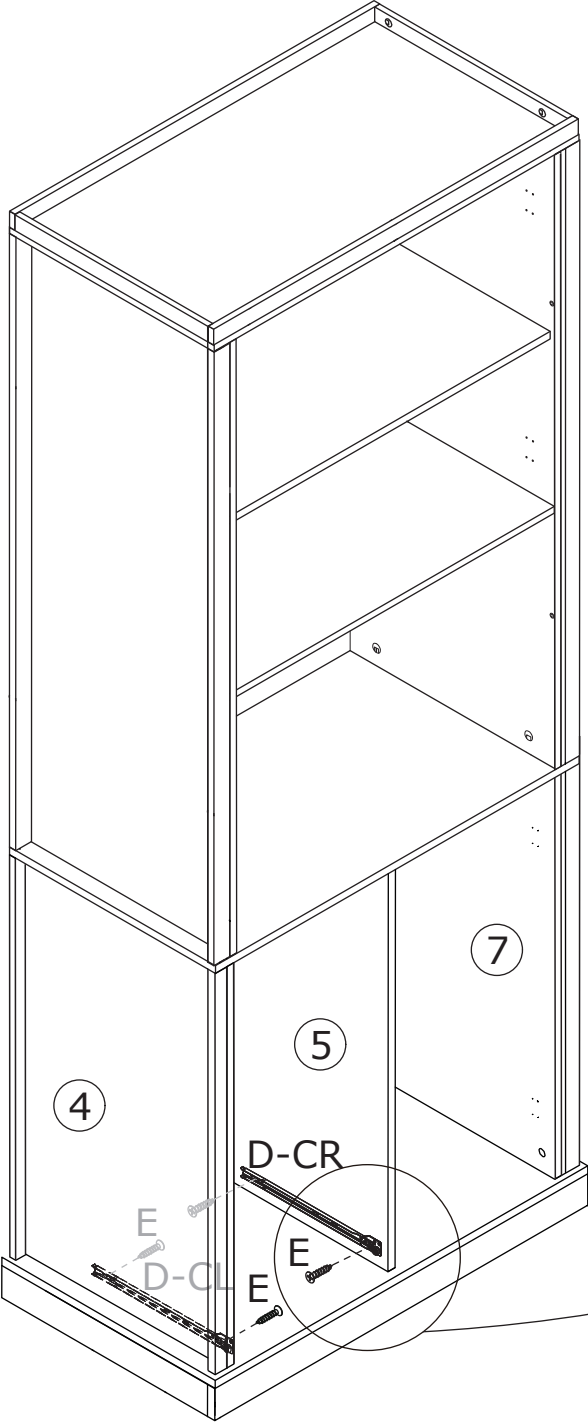
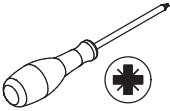
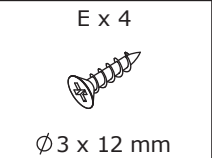
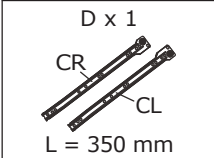
Secure the screw (A) to panel 11 as shown.

24



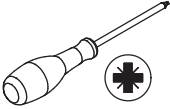
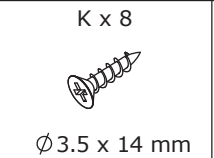
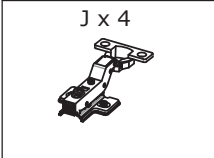
Attach panels 4,5,7 to panel 11 using dowels (C) as shown and add eccentric wheels (B) to tighten in clockwise rotation.

25

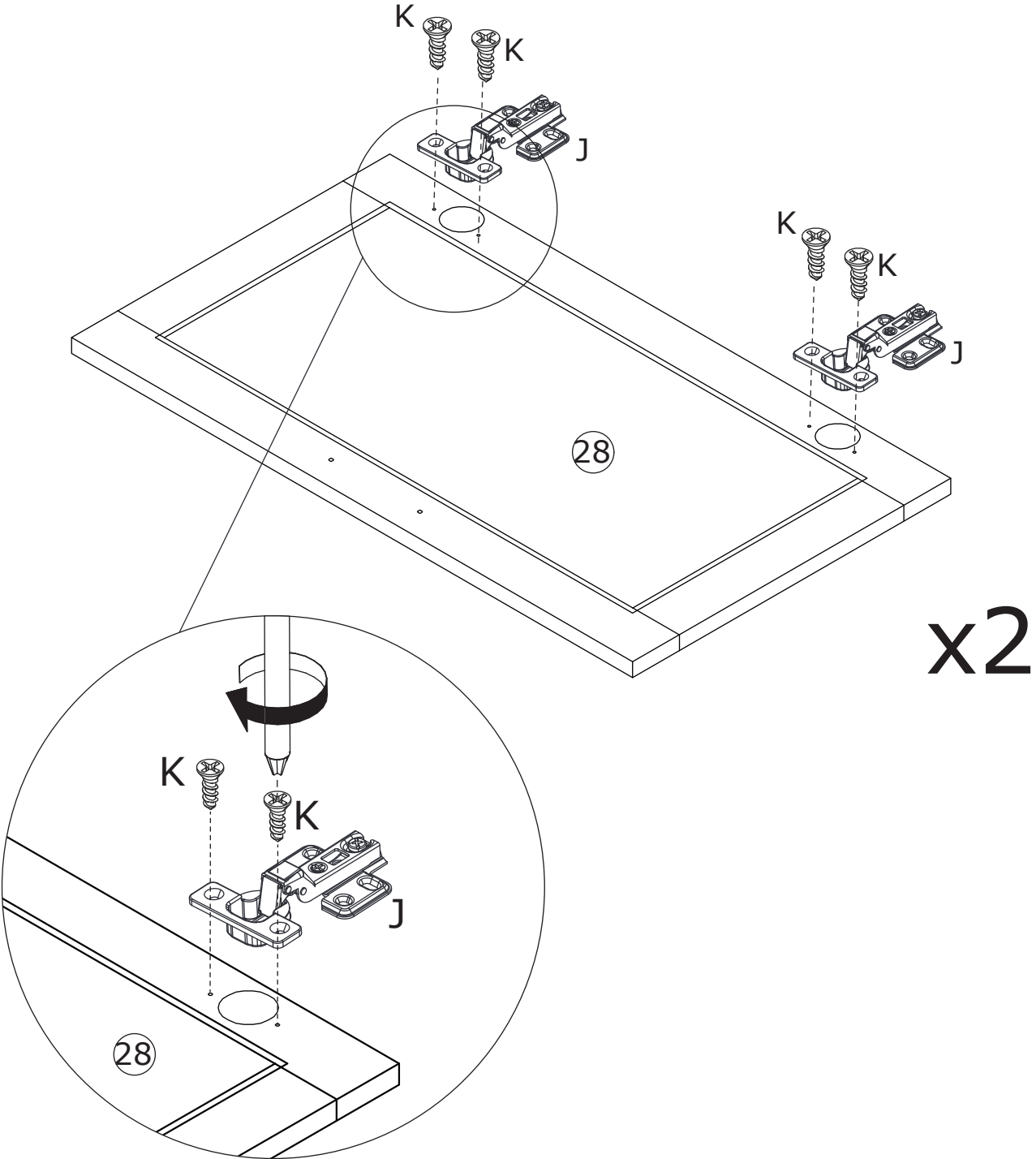


Secure the slide (D-CL) and slide (D-CR) to panels 4 and 5, respectively, with screws (E) as shown.

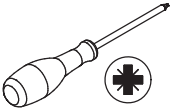
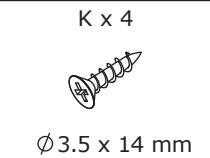
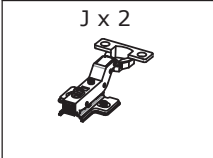
26



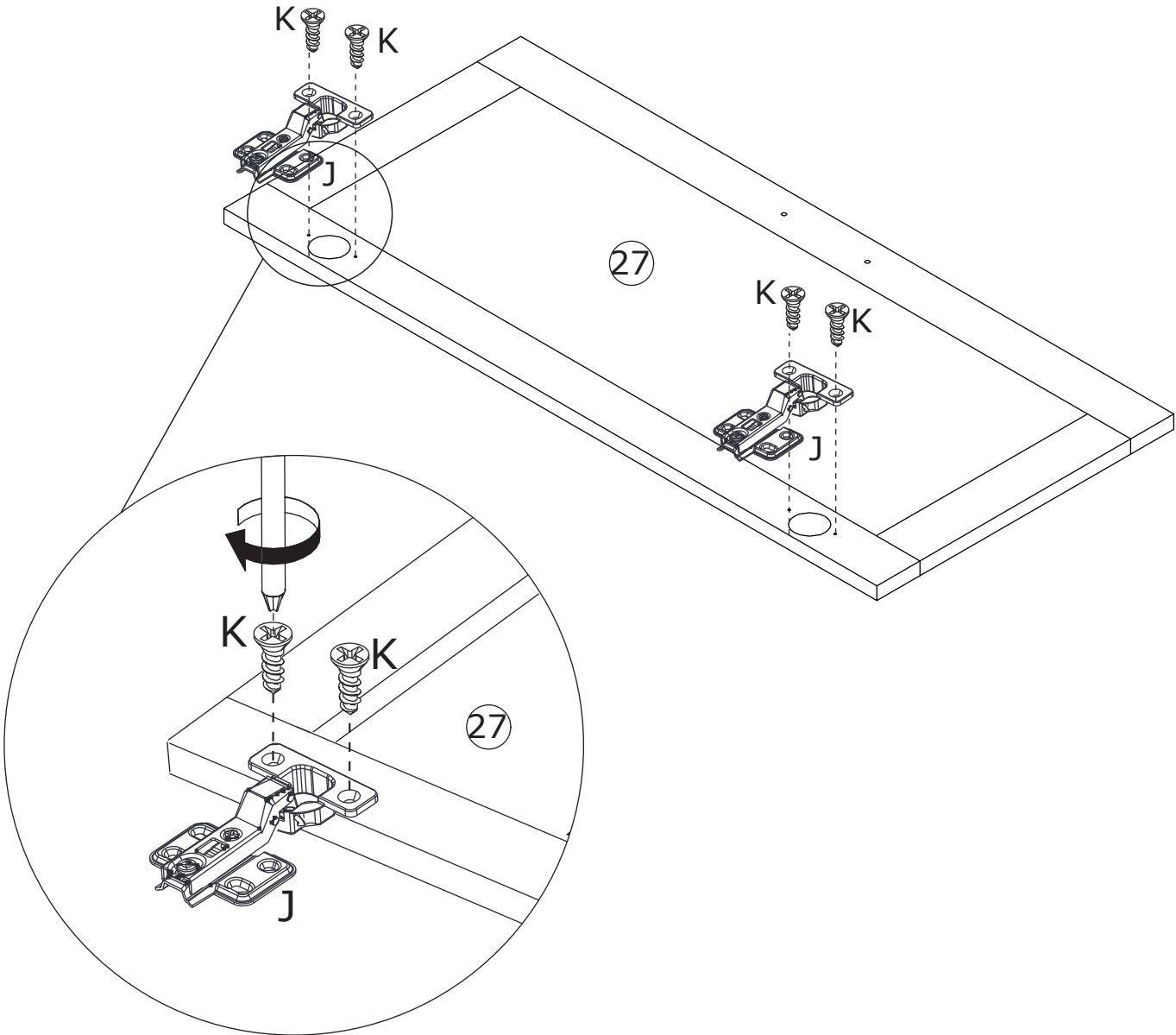
Secure hinge (J) to panel 28 with screws (K) as shown.






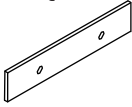
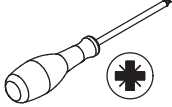
27

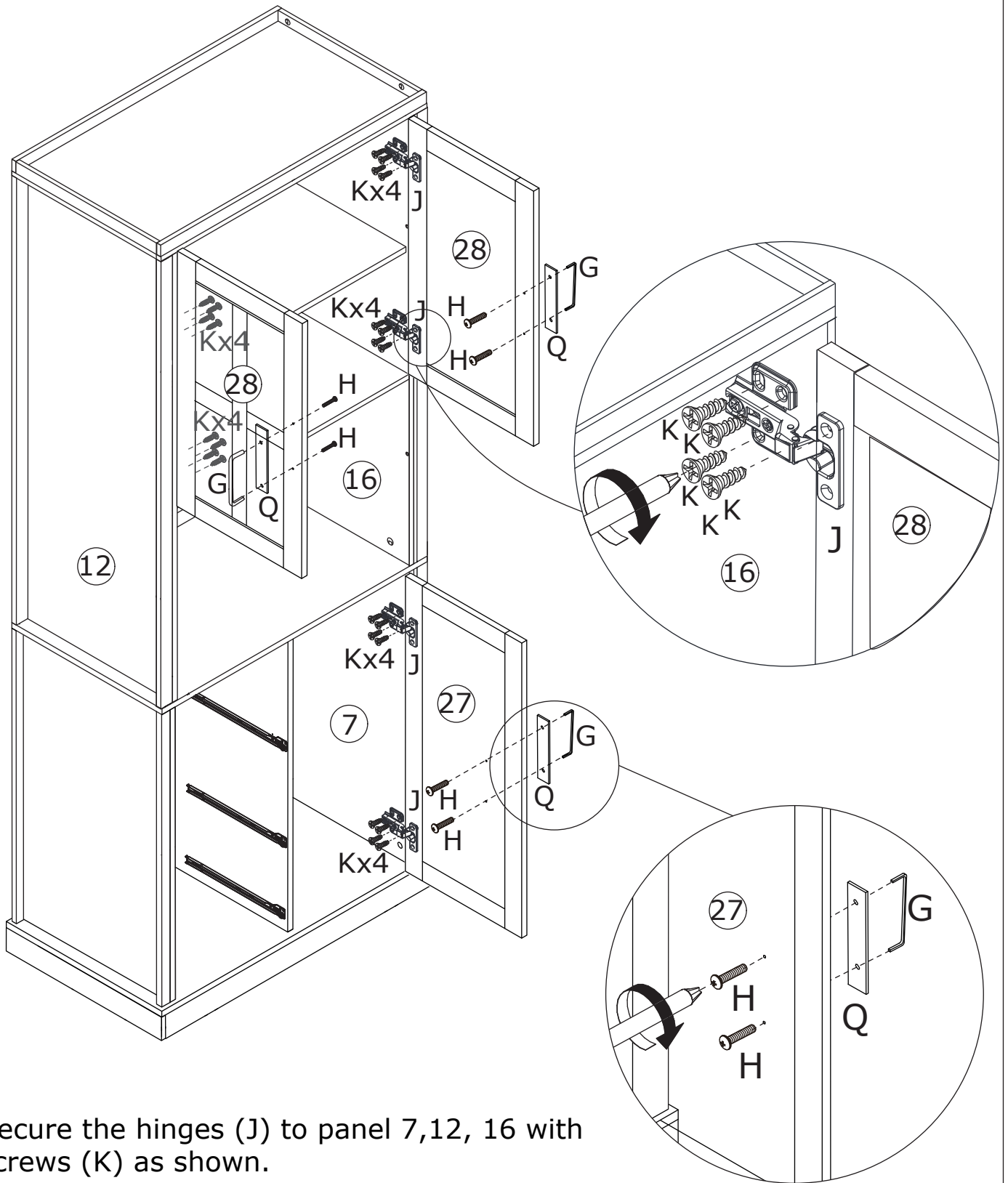


Secure hinge (J) to panel 27 with screws (K) as shown.



28

<p>G x 3</p> 	<p>H x 3</p> <p>Ø4 x 22 mm</p> 	<p>K x 24</p> <p>Ø3.5 x 14 mm</p> 	<p>Q x 3</p> 	
--	--	---	---	---

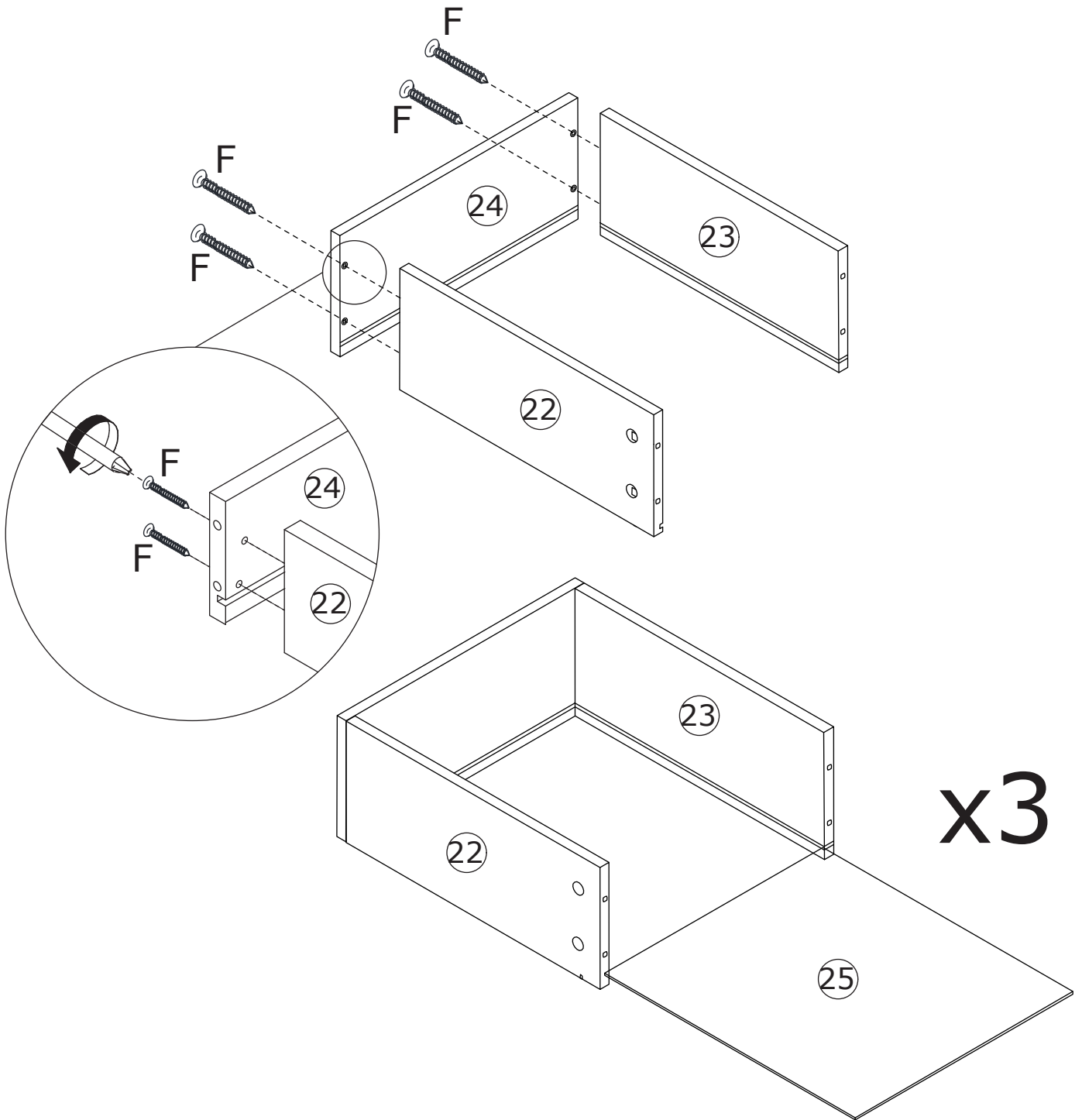
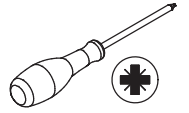


Secure the hinges (J) to panel 7,12, 16 with screws (K) as shown.

Secure fittings (Q) and pulls (G) to panels 27, 28 with screws (H) as shown.

29

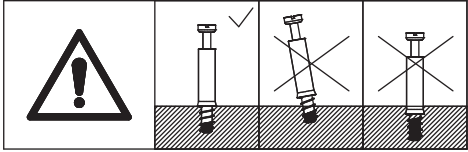
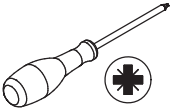
F x 12



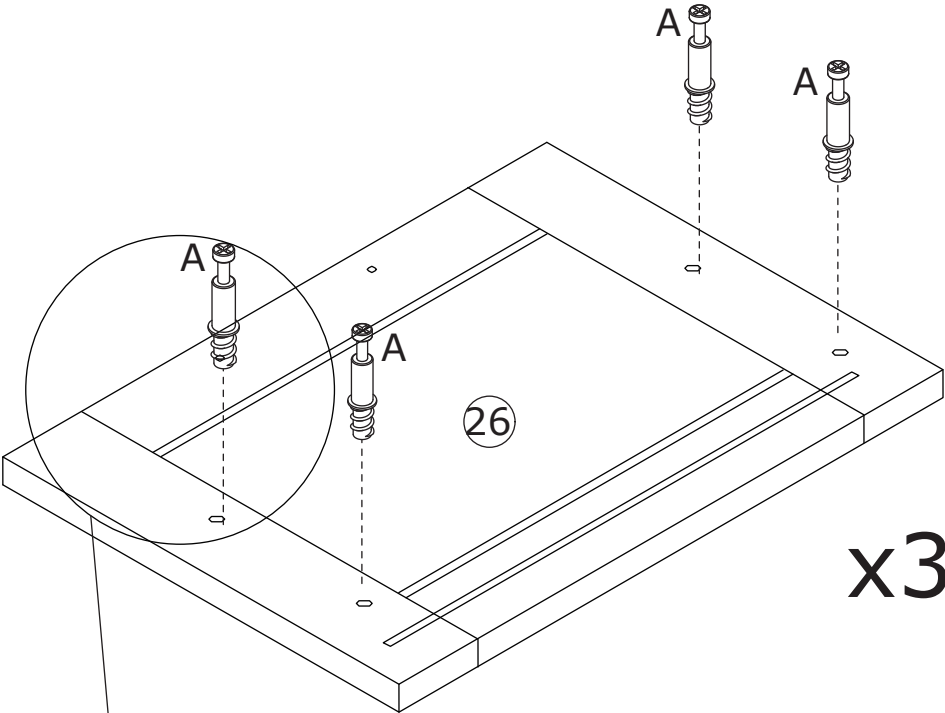
Secure panels 22, 23 to panel 24 with screws (F) as shown.

Insert the panel 25 along the available slot as shown.

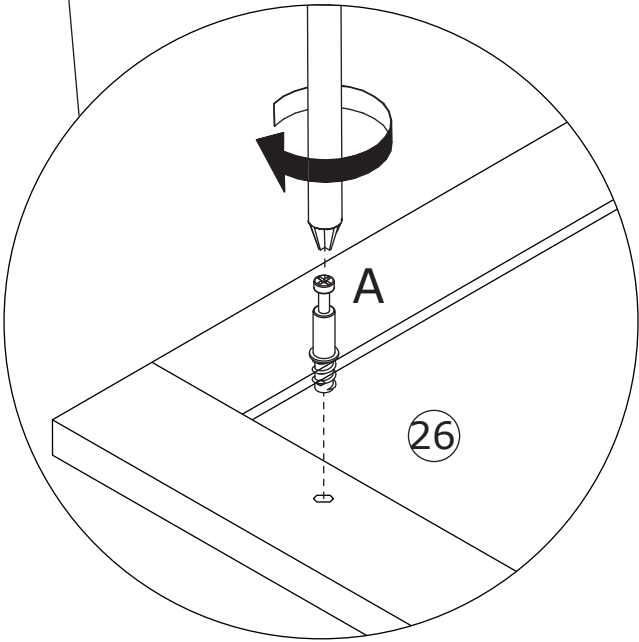
30



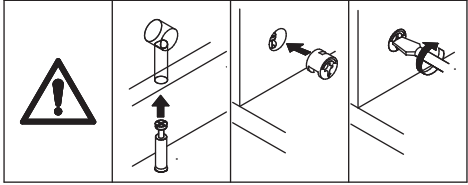
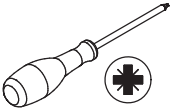
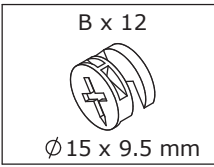
Secure the screw (A) to panel 26 as shown.



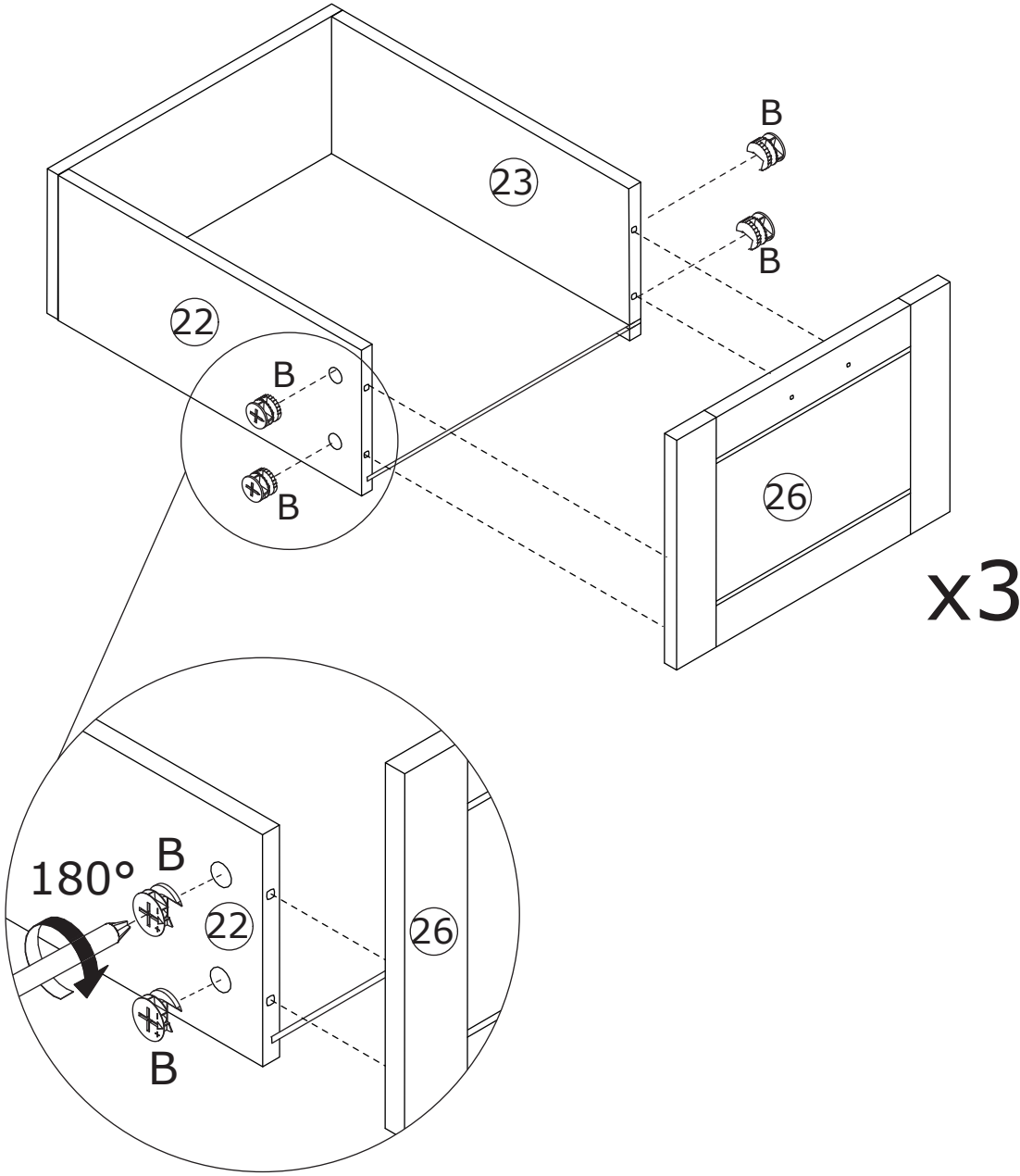
x3



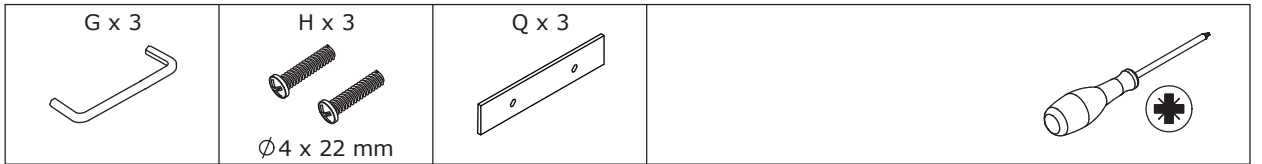
31



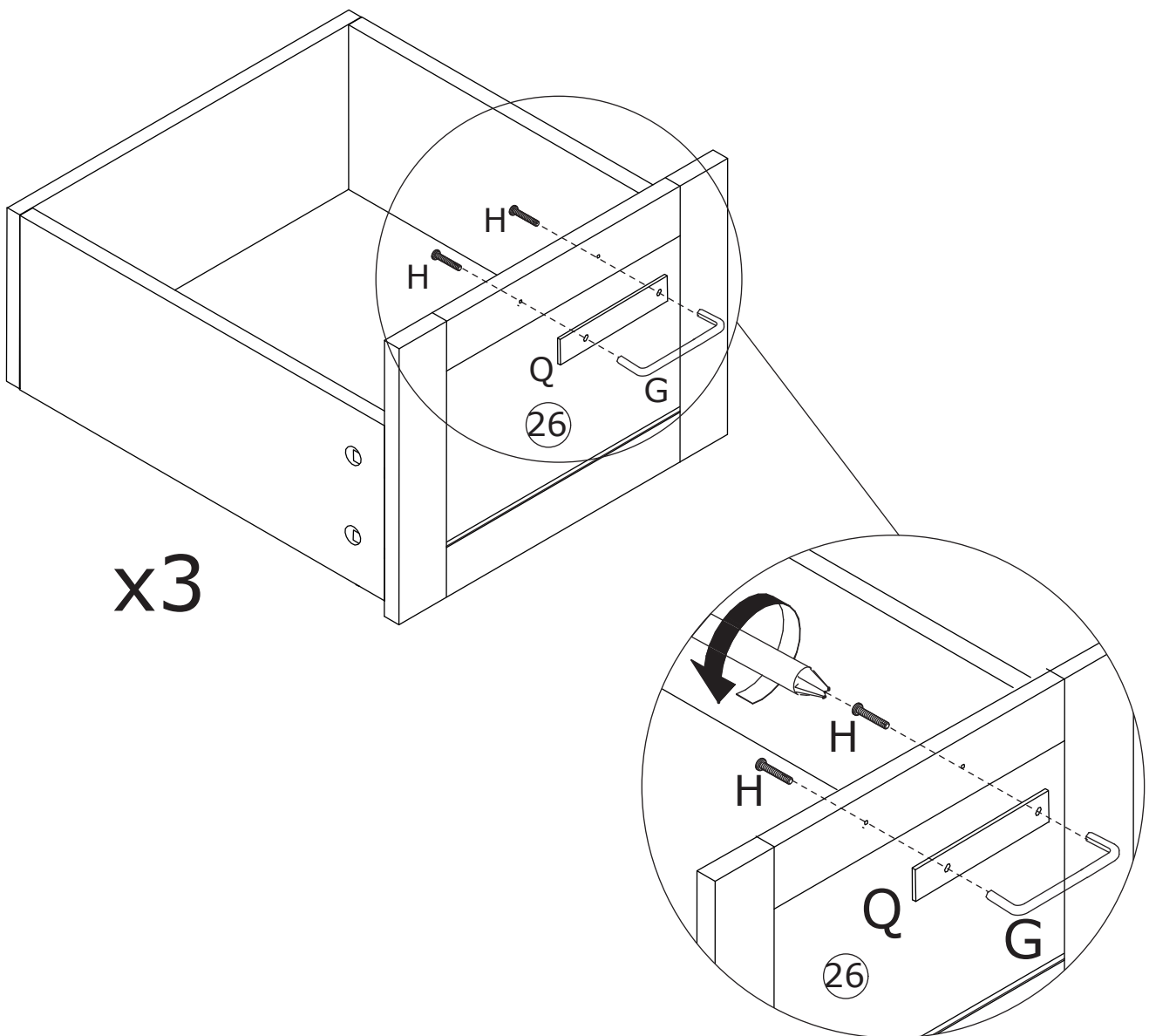
Attach panel 22, 23 to panel 26 and add the eccentric wheel (B) and tighten by turning clockwise.



32



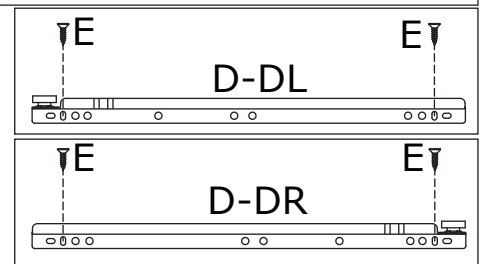
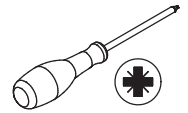
Secure fittings (Q) and pulls (G) to panel 26 with screws (H) as shown.



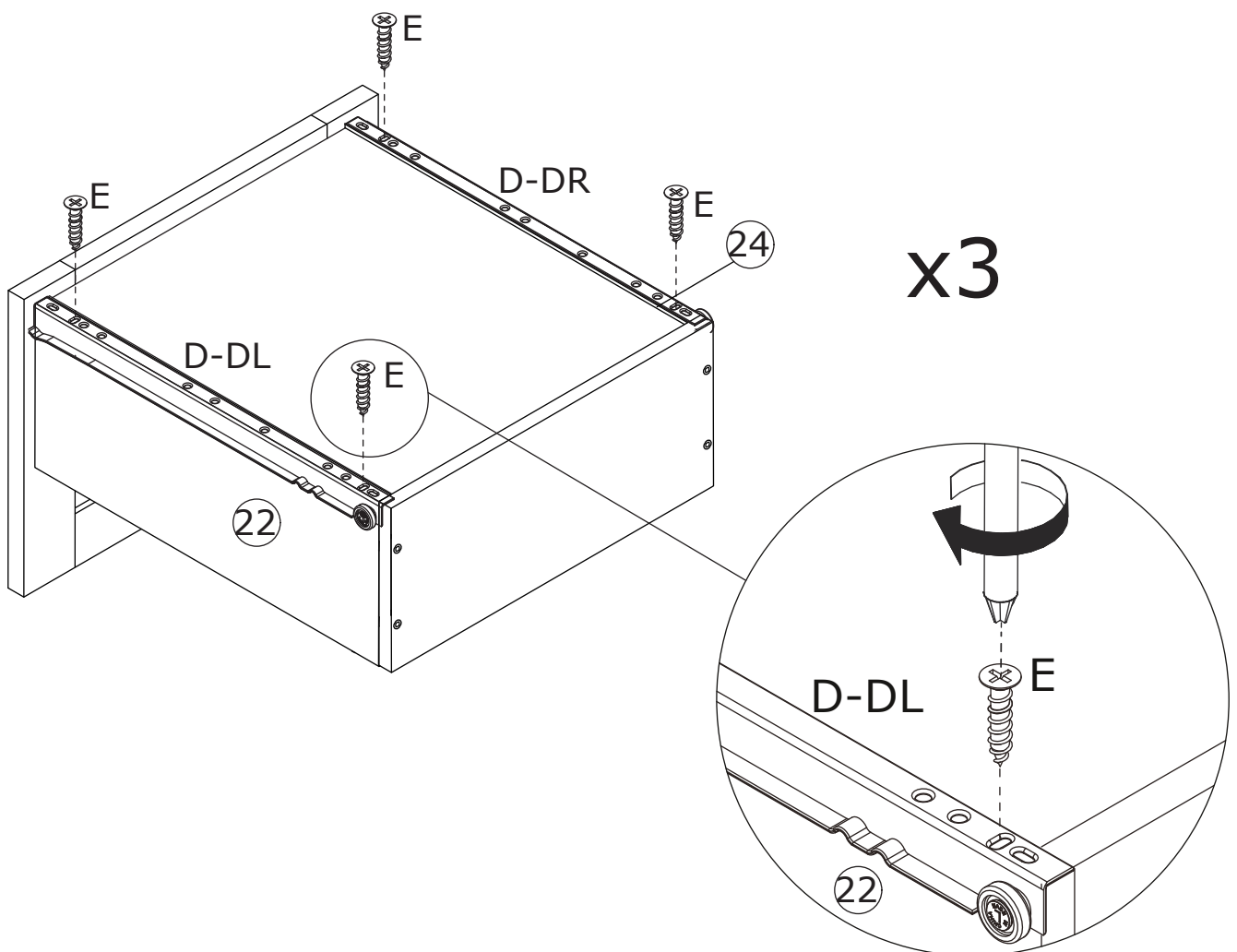
33

D x 3
DL
DR
L = 350 mm

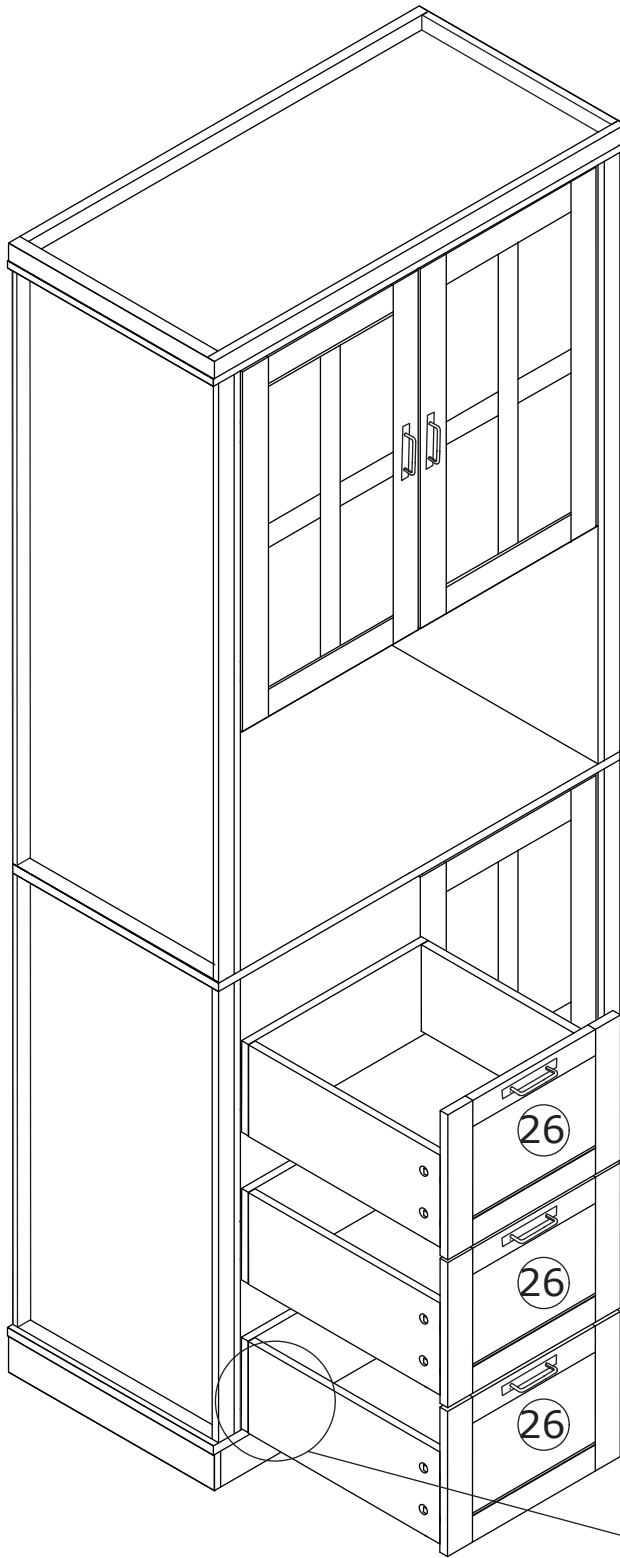
E x 12
 $\varnothing 3 \times 12$ mm



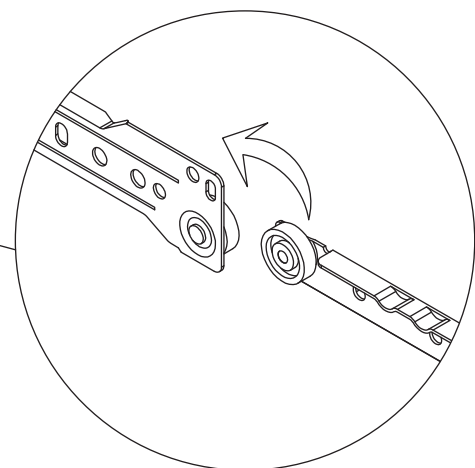
Secure the slide (D-DL) and slide (D-DR) to panels 22 and 23, respectively, with screws (E) as shown.



34



Install the drawers to the combination unit as shown.



35

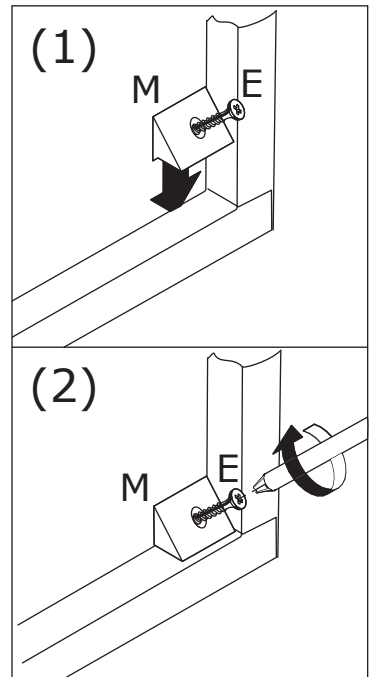
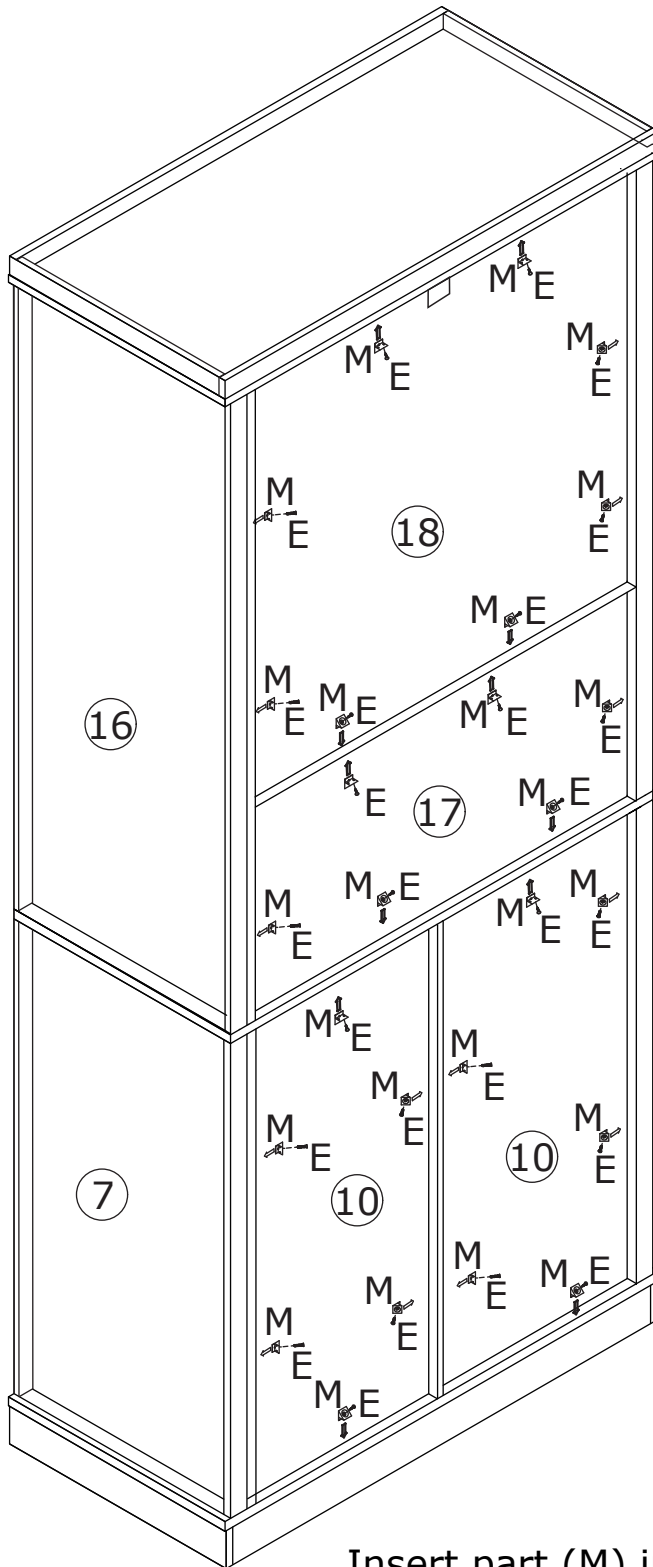
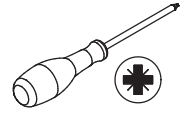
M x 26



E x 26

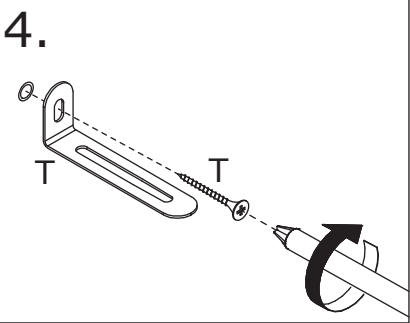
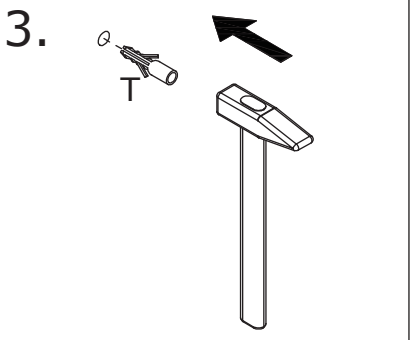
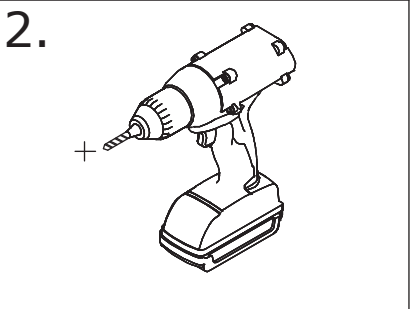
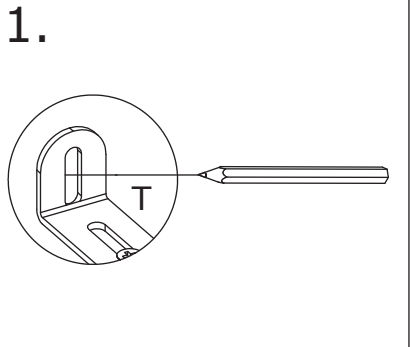
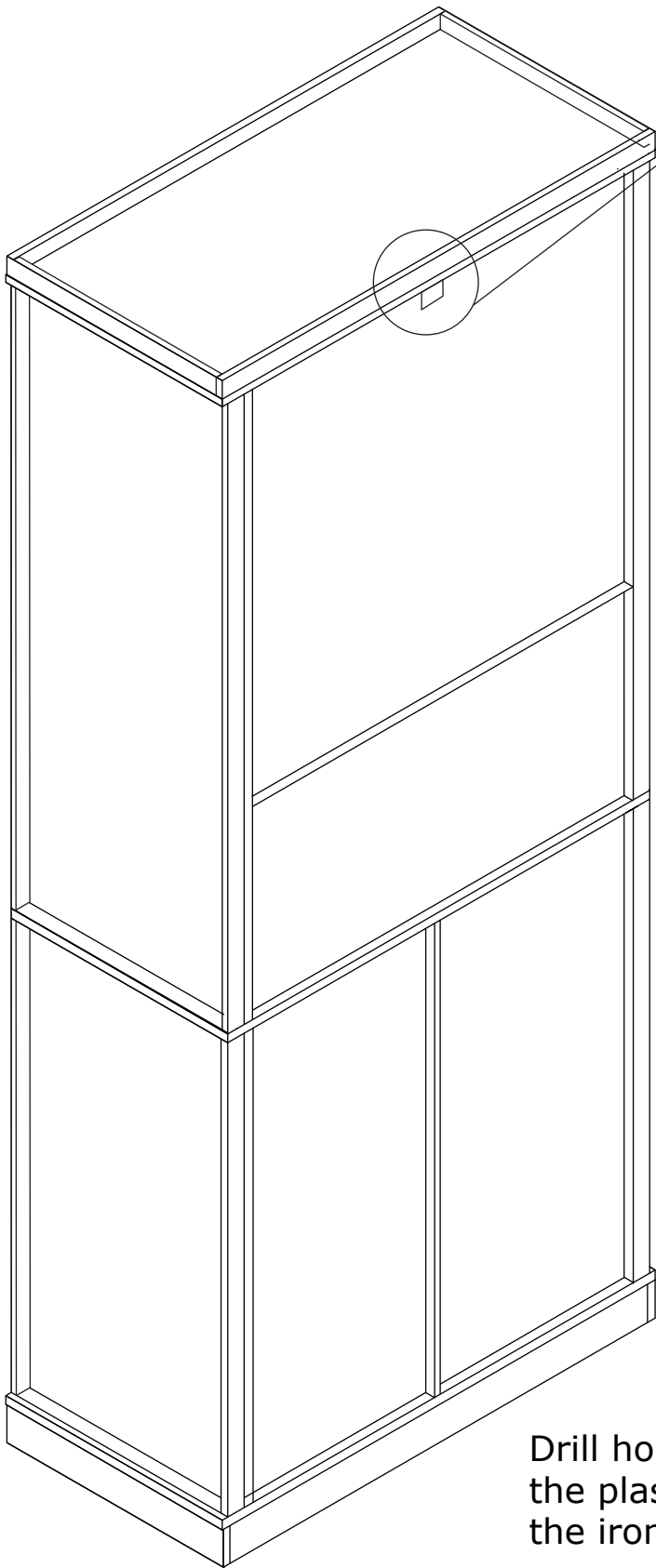
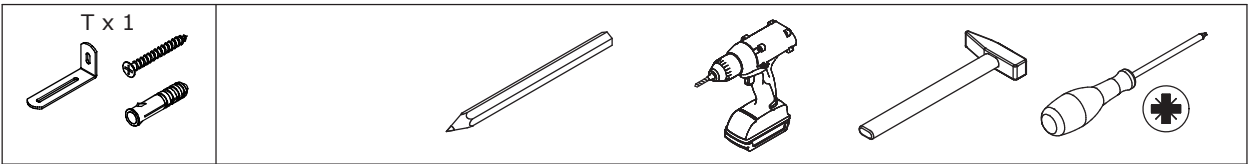


Ø3 x 12 mm



Insert part (M) into available slots and secure with screws (E) as shown.

36

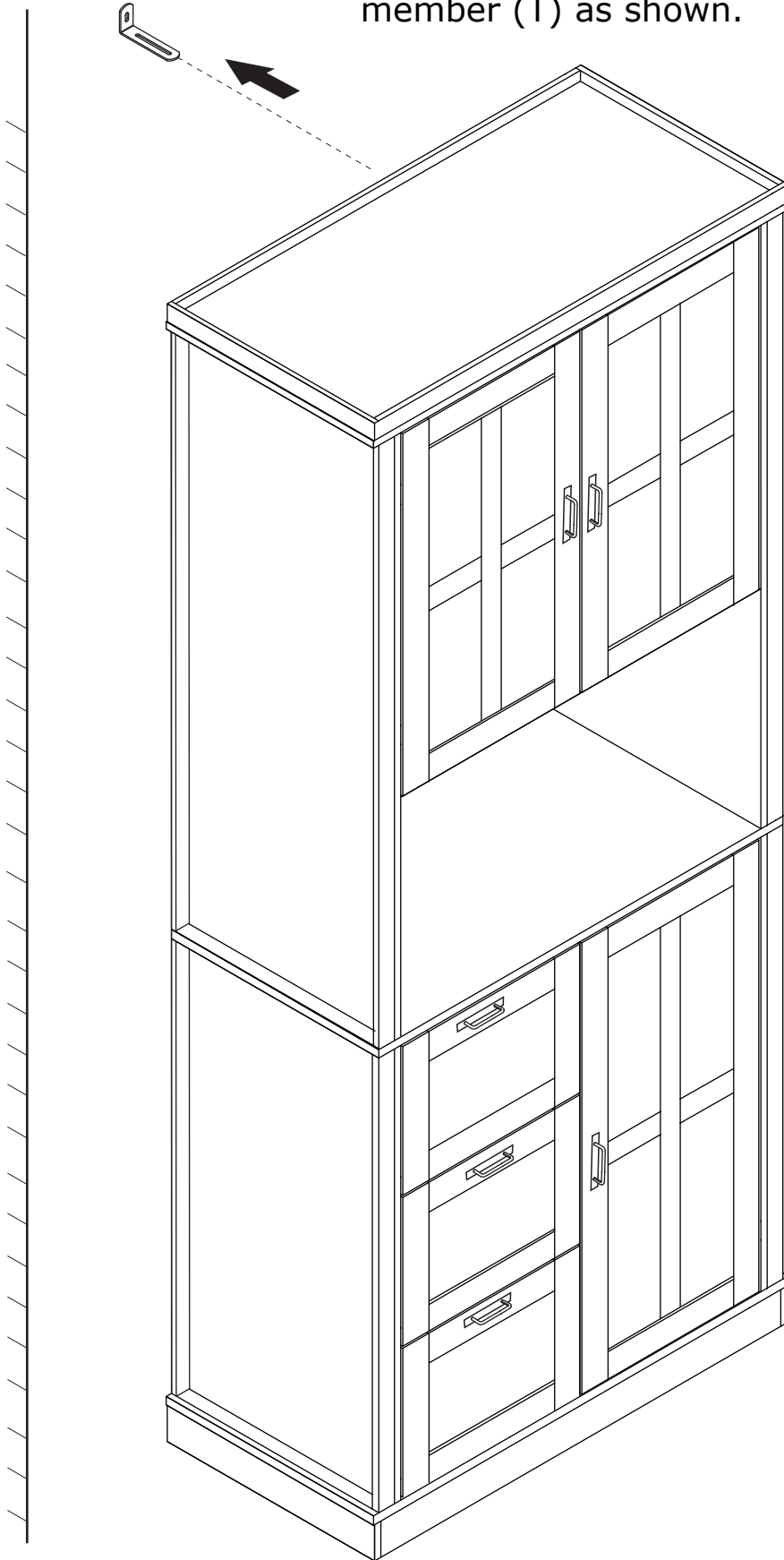


Drill holes in the wall as shown, tap the plastic parts (T) in, and fasten the iron parts (T) to the plastic parts.

37

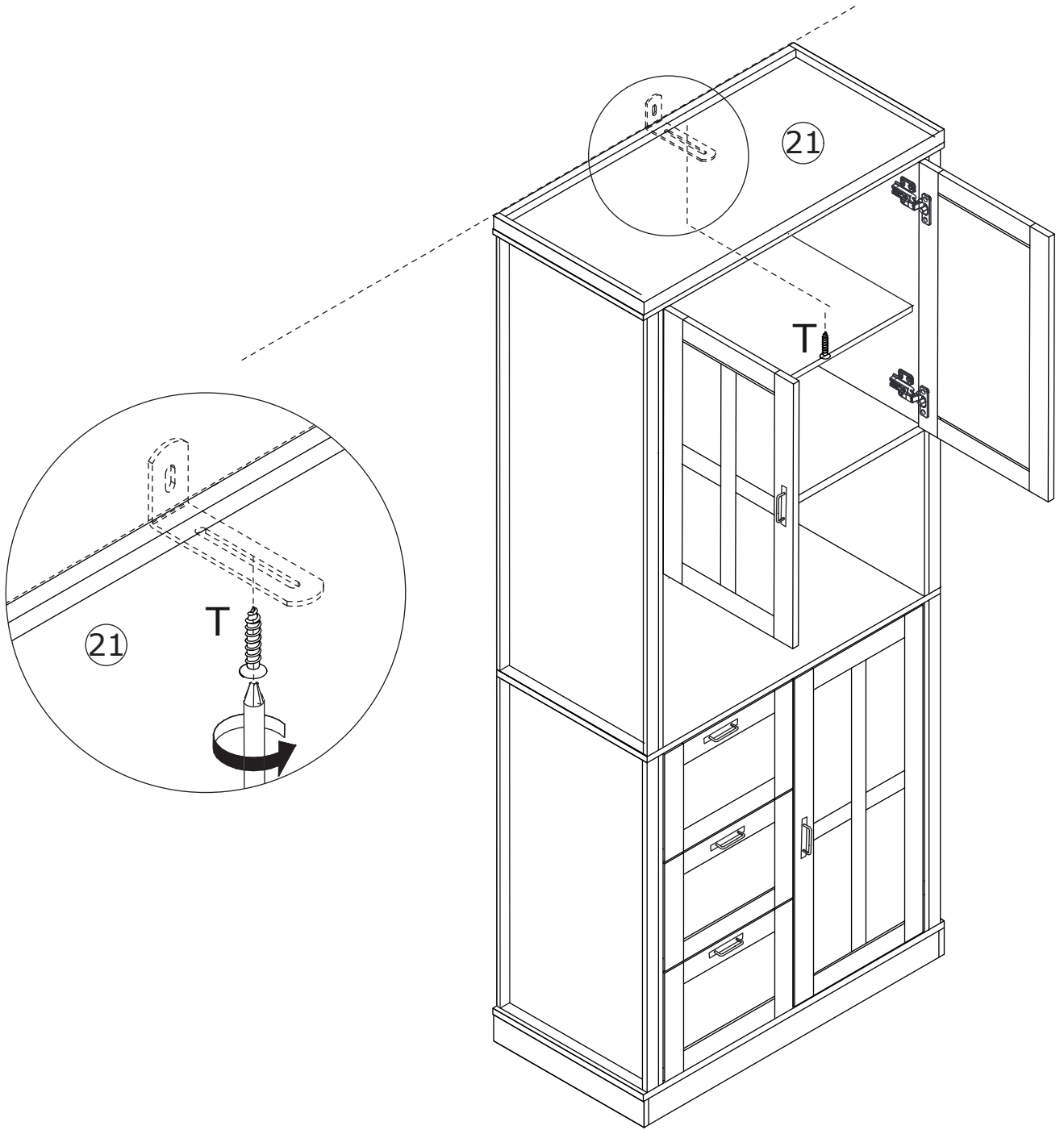
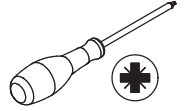
WALL

Push the cabinet onto the iron member (T) as shown.



38

T x 1



Open the door and secure the cabinet in the parts (T) with screws (T) as shown.

WARRANTY

WARRANTY CLAIMS

- There is a 30-day warranty for broken furniture or any other problems that do not work properly. The warranty will start from the date of purchase which must be verified by proof of purchase.
- Before making a claim, we may be able to answer your query, simply call us. Please leave your purchase order number, along with some details of the problem, if you want a replacement part. We will arrange within 48 hours. If there is out of stock, we will reply with a shipping date.
- The product must be used in accordance with the instructions provided. For health reasons.
- For other reasons, if the furniture needs to be returned, it must be cleaned and dried and operated within 30 days of receipt.

Type of Warranty Claim

- Failure to follow the furniture instructions will invalidate the warranty. Attention please.
- Does not include damage during installation, but includes damage during transportation.

Scope of responsibility

- Shall not bear any responsibility for misuse or user damage and / or loss of parts during the installation of furniture.
- After using, the damage and scratches of the furniture are not covered by the warranty.

The Warranty Relates to All Bought in The Us and Covers The Following Areas

- Sheet parts: 1 month from the date of purchase.
- Electrical parts: 1 month from the date of purchase.

RETURNS

CHANGED YOUR MIND AND NEED TO RETURN YOU ITEM?

PLEASE FOLLOW THE BELOW INSTRUCTIONS:

- If you have purchased and have simply changed your mind, follow the retailer's instructions for returns.

DEFECTIVE ITEMS

- If your item is defective in any way, i.e. it doesn't work but you can't identify why, in the first instance, please call us.

DAMAGED ITEMS

- If you receive an order with obvious shipping damage from the retailer, then we suggest the delivery is refused. If the delivery has been accepted and then shipping damage is found, please follow the specific instructions advised by the retailer. In all circumstances please save all packaging material and paperwork for the order. Please be aware that if you dispose of packaging material or attempt to return the merchandise without contacting the fulfiller, you jeopardise your chances of making a claim, and you may not receive a credit for the return.

AFTER-SALES CONTACT



adelahu@fufugaga.com



208-820-0068