


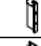
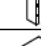
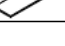
ASSEMBLY INSTRUCTION

MODEL NO: JORDYN - WHITE / GREY - QB - HB - STORAGE & LIGHT


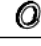
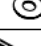


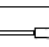
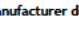
DESCRIPTION: QUEEN HEADBOARD W / LIGHT

Thank you for purchasing this quality product. Be sure to check all packing material carefully for small parts that may have come loose inside the carton during shipment.

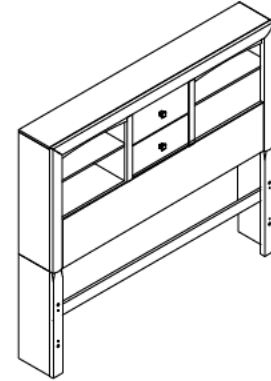
PART LIST :

ITEM	DRAWING	DESCRIPTION	QTY
A		QUEEN HEADBOARD	1
B		LEFT HEADBOARD LEG	1
C		RIGHT HEADBOARD LEG	1
D		SHELF	2

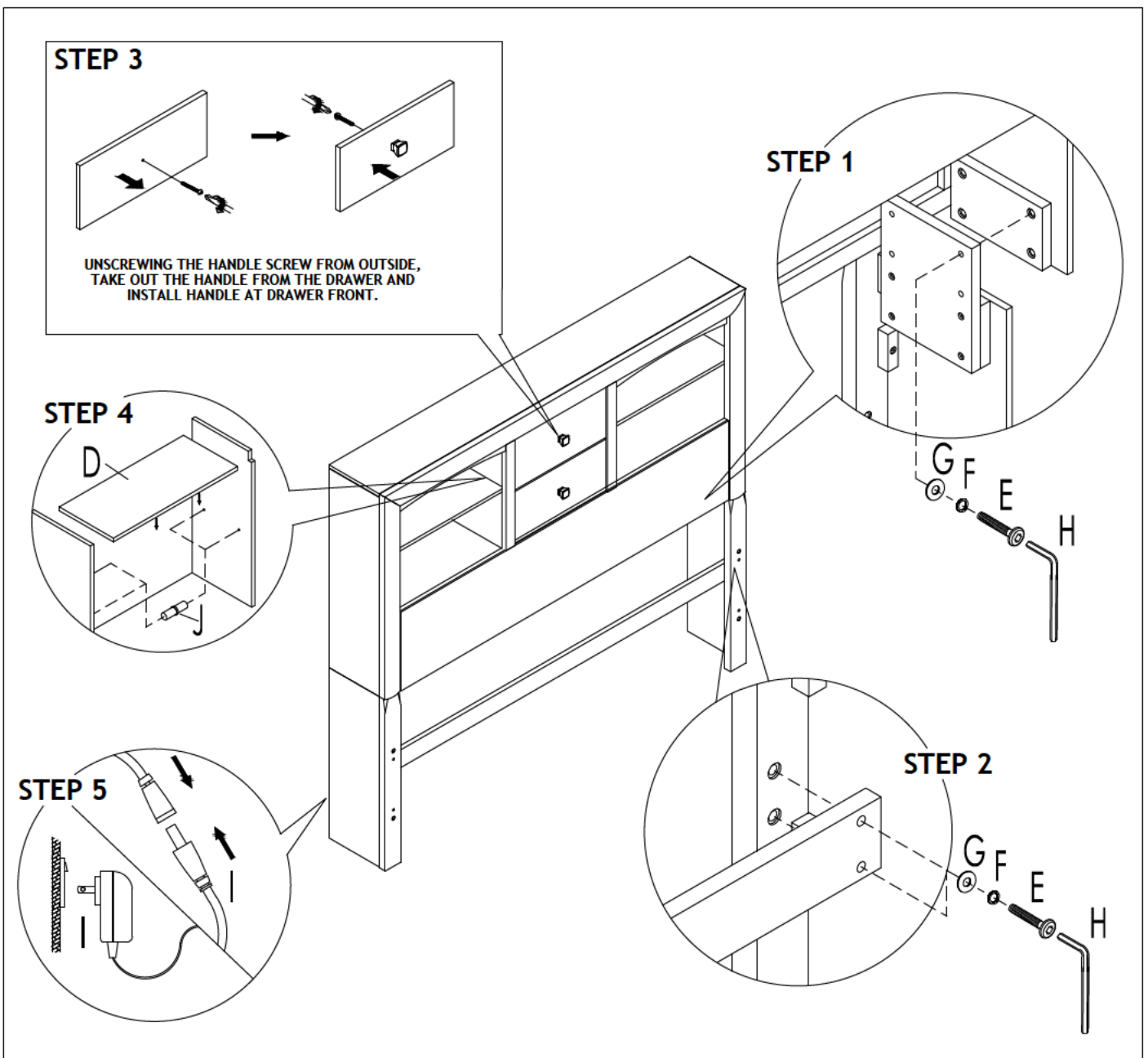
HARDWARE LIST :

ITEM	DRAWING	DESCRIPTION	QTY
E		JCBC SCREW (M6 x 35mm)	12
F		SPRING WASHER (M8)	12
G		FLAT WASHER (M8 x 18mm)	12
H		ALLEN KEY (M4 x 65mm)	1
I		ADAPTER (12V / 1.0A)	1
J		SHELF SUPPORT	8
K		SCREW DRIVER(*)	1

(*) The manufacturer does not provide ITEM K



COMPLETED QUEEN BOOKCASE HEADBOARD



NOTE : MUST TIGHTEN SCREWS PERIODICALLY. WITH USE SCREW MAY BECOME LOOSE. CHECK TIGHTNESS OF ALL SCREWS EVERY 6-8 WEEKS.

CLEANING INSTRUCTION :


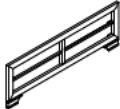
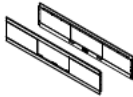
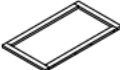
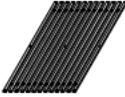









AFTER ASSEMBLE, CLEAN & POLISH THE COMPLETED PARTS IF NECESSARY WITH SOFT CLOTH AND INDUSTRIAL RECOGNIZED FURNITURE POLISH.

ASSEMBLY INSTRUCTION







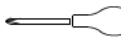
MODEL NO: JORDYN - WHITE / GREY - QB - HB - STORAGE & LIGHT DESCRIPTION: QUEEN STORAGE HEADBOARD W/LIGHT
 JORDYN - WHITE / GREY - QB - FB - FRAME & SLATS QUEEN STORAGE FOOTBOARD W/FRAME & SLATS
 JORDYN - WHITE / GREY - KB/QB - FB & SR DRAWER 1 K/QUEEN 2PCS FOOTBOARD DRAWER & 1PC SIDE RAILS DRAWER
 JORDYN - WHITE / GREY - KB/QB - FB & SR DRAWER 2 K/QUEEN 2PCS FOOTBOARD DRAWER & 1PC SIDE RAILS DRAWER
 JORDYN - WHITE / GREY - KB/QB - SR & CENTER STORAGE K/QUEEN SIDE RAIL & CENTER STORAGE

Thank you for purchasing this quality product. Be sure to check all packing material carefully for small parts that may have come loose inside the carton during shipment.

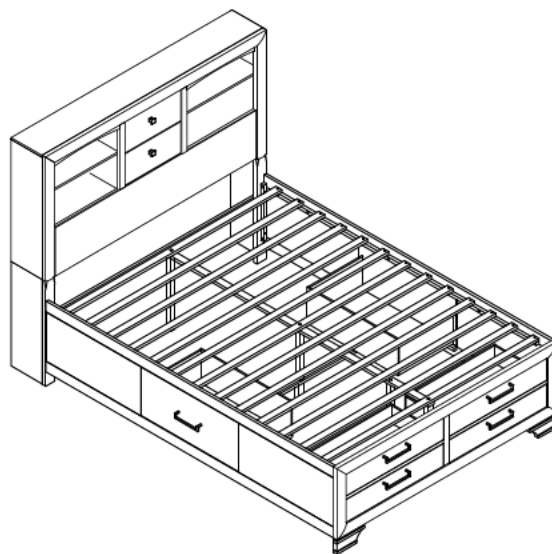
PART LIST :

ITEM	DRAWING	DESCRIPTION	QTY
A		QUEEN HEADBOARD	1
B		QUEEN FOOTBOARD	1
C		STORAGE SIDE RAIL	1 SET
D		DRAWER FRAME	2 SETS
E		SLATS	1 SET
F		VERTICAL LEG - 1	2
G		VERTICAL LEG - 2	1
H		VERTICAL LEG - 3	1
I		VERTICAL LEG - 4	1
J		CENTER DRAWER SUPPORT	1
K		CENTER RAIL	1
L		DRAWER SIDE RAIL	2
M		DRAWER FRAME SUPPORT LEGS	2
N		DRAWER FOOTBOARD	4

HARDWARE LIST :

ITEM	DRAWING	DESCRIPTION	QTY
O		JCBC SCREW (M6 x 35mm)	22
P		SPRING WASHER (M8)	22
Q		FLAT WASHER (M8 x 18mm)	22
R		ALLEN KEY (M4 x 65mm)	1
S		PANHEAD SCREW (M4 x 32mm)	26
T		Ø8 x 30mm	8
U		SCREW DRIVER(*)	1

(*) The manufacturer does not provide ITEM U



COMPLETED QUEEN BOOKCASE HEADBOARD

NOTE : MUST TIGHTEN SCREWS PERIODICALLY. WITH USE SCREW MAY BECOME LOOSE. CHECK TIGHTNESS OF ALL SCREWS EVERY 6-8 WEEKS.

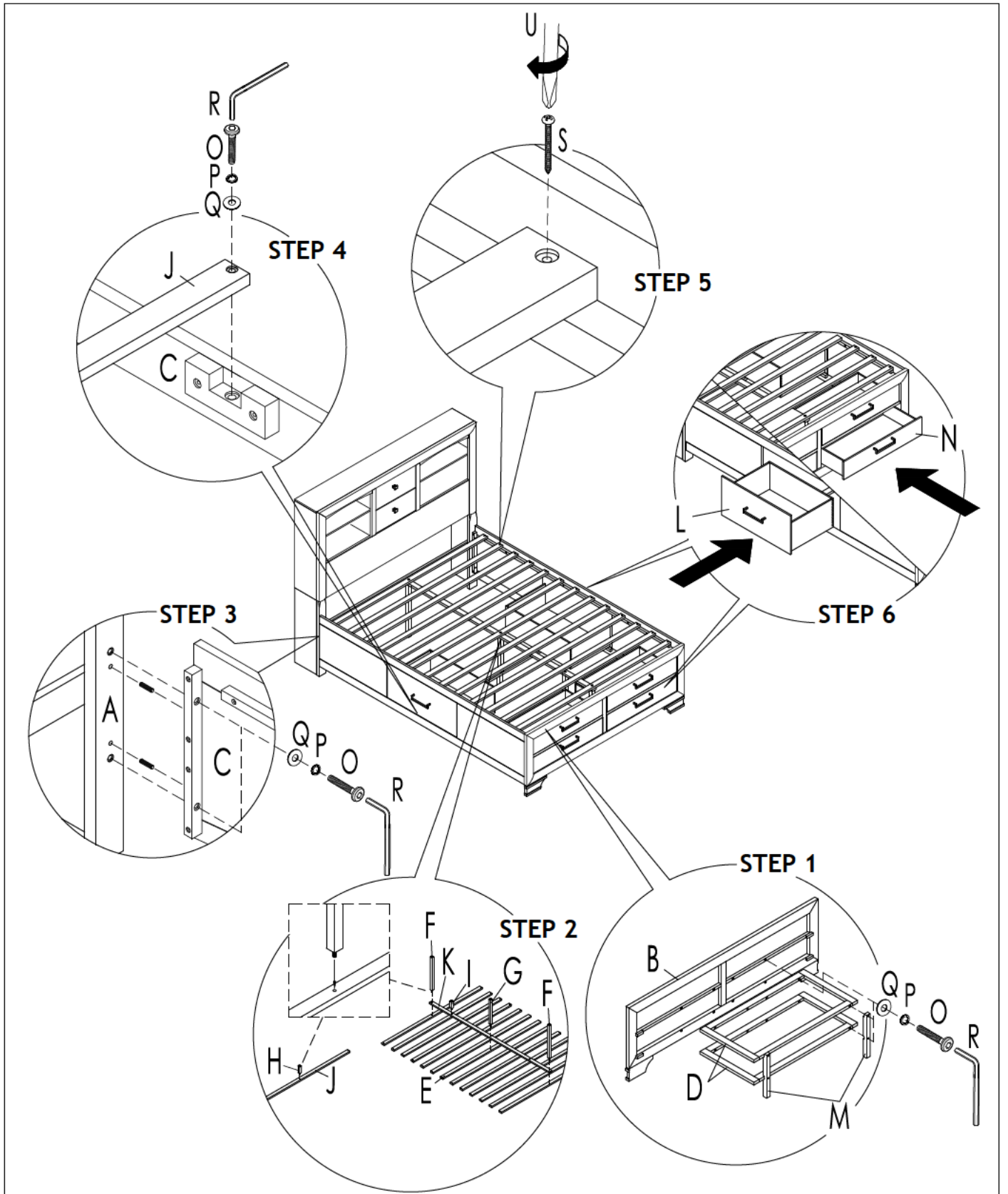
CLEANING INSTRUCTION :

AFTER ASSEMBLE, CLEAN & POLISH THE COMPLETED PARTS IF NECESSARY WITH SOFT CLOTH AND INDUSTRIAL RECOGNIZED FURNITURE POLISH.

ASSEMBLY INSTRUCTION

MODEL NO: JORDYN - WHITE / GREY - QB - HB - STORAGE & LIGHT DESCRIPTION: QUEEN STORAGE HEADBOARD W/LIGHT
 JORDYN - WHITE / GREY - QB - FB - FRAME & SLATS QUEEN STORAGE FOOTBOARD W/FRAME & SLATS
 JORDYN - WHITE / GREY - KB/QB - FB & SR DRAWER 1 K/QUEEN 2PCS FOOTBOARD DRAWER & 1PC SIDE RAILS DRAWER
 JORDYN - WHITE / GREY - KB/QB - FB & SR DRAWER 2 K/QUEEN 2PCS FOOTBOARD DRAWER & 1PC SIDE RAILS DRAWER
 JORDYN - WHITE / GREY - KB/QB - SR & CENTER STORAGE K/QUEEN SIDE RAIL & CENTER STORAGE

Thank you for purchasing this quality product. Be sure to check all packing material carefully for small parts that may have come loose inside the carton during shipment.



NOTE : MUST TIGHTEN SCREWS PERIODICALLY. WITH USE SCREW MAY BECOME LOOSE. CHECK TIGHTNESS OF ALL SCREWS EVERY 6-8 WEEKS.

CLEANING INSTRUCTION :
 AFTER ASSEMBLE, CLEAN & POLISH THE COMPLETED PARTS IF NECESSARY WITH SOFT CLOTH AND INDUSTRIAL RECOGNIZED FURNITURE POLISH.

ASSEMBLY INSTRUCTION

MODEL NO: JORDYN - WHITE / GREY - KB - HB - STORAGE & LIGHT

DESCRIPTION: KING HEADBOARD W / LIGHT

Thank you for purchasing this quality product. Be sure to check all packing material carefully for small parts that may have come loose inside the carton during shipment.

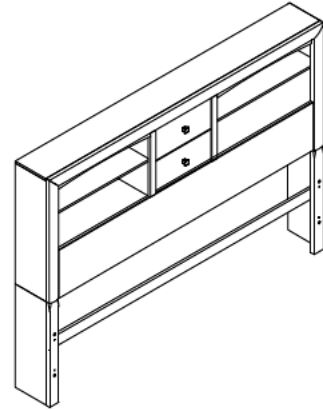
PART LIST :

ITEM	DRAWING	DESCRIPTION	QTY
A		KING HEADBOARD	1
B		LEFT HEADBOARD LEG	1
C		RIGHT HEADBOARD LEG	1
D		SHELF	2

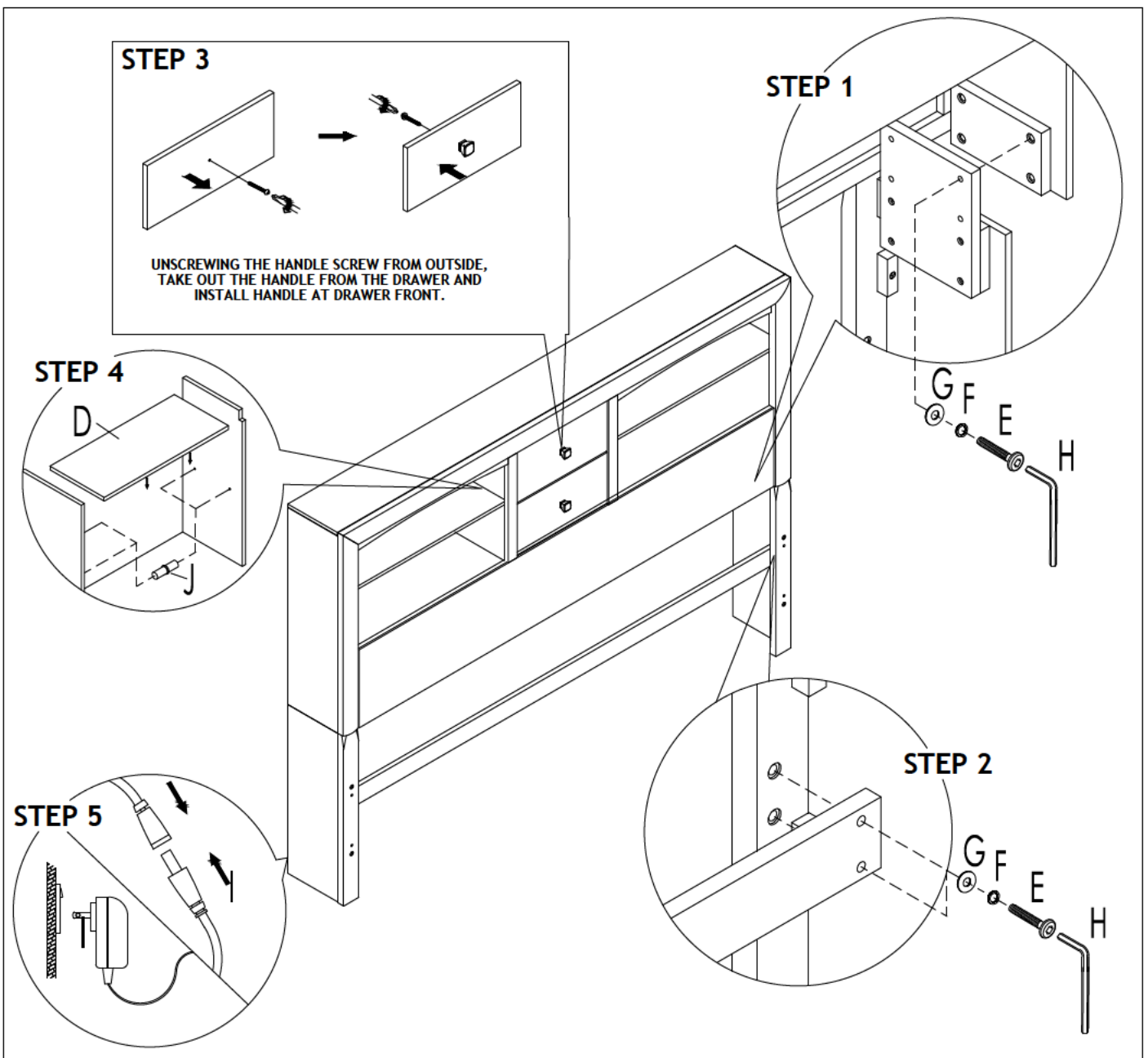
HARDWARE LIST :

ITEM	DRAWING	DESCRIPTION	QTY
E		JCB SCREW (M6 x 35mm)	12
F		SPRING WASHER (M8)	12
G		FLAT WASHER (M8 x 18mm)	12
H		ALLEN KEY (M4 x 65mm)	1
I		ADAPTER (12V / 1.0A)	1
J		SHELF SUPPORT	8
K		SCREW DRIVER(*)	1

(*) The manufacturer does not provide ITEM K



COMPLETED KING BOOKCASE HEADBOARD



NOTE : MUST TIGHTEN SCREWS PERIODICALLY. WITH USE SCREW MAY BECOME LOOSE. CHECK TIGHTNESS OF ALL SCREWS EVERY 6-8 WEEKS.

CLEANING INSTRUCTION :

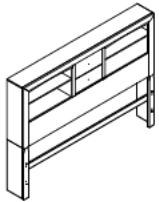
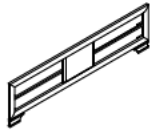
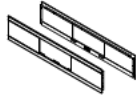
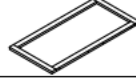
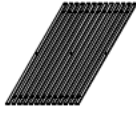









AFTER ASSEMBLE, CLEAN & POLISH THE COMPLETED PARTS IF NECESSARY WITH SOFT CLOTH AND INDUSTRIAL RECOGNIZED FURNITURE POLISH.

ASSEMBLY INSTRUCTION







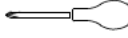
MODEL NO: JORDYN - WHITE / GREY - KB - HB - STORAGE & LIGHT DESCRIPTION: QUEEN STORAGE HEADBOARD W/LIGHT
 JORDYN - WHITE / GREY - KB - FB - FRAME & SLATS QUEEN STORAGE FOOTBOARD W/FRAME & SLATS
 JORDYN - WHITE / GREY - KB/QB - FB & SR DRAWER 1 K/QUEEN 2PCS FOOTBOARD DRAWER & 1PC SIDE RAILS DRAWER
 JORDYN - WHITE / GREY - KB/QB - FB & SR DRAWER 2 K/QUEEN 2PCS FOOTBOARD DRAWER & 1PC SIDE RAILS DRAWER
 JORDYN - WHITE / GREY - KB/QB - SR & CENTER STORAGE K/QUEEN SIDE RAIL & CENTER STORAGE

Thank you for purchasing this quality product. Be sure to check all packing material carefully for small parts that may have come loose inside the carton during shipment.

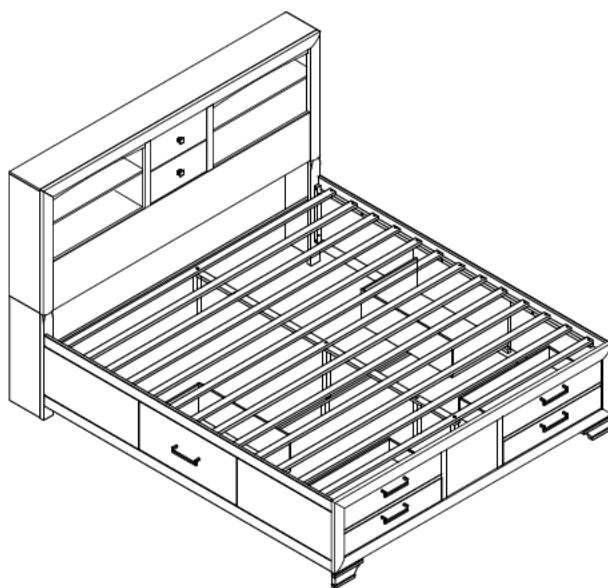
PART LIST :

ITEM	DRAWING	DESCRIPTION	QTY
A		KING HEADBOARD	1
B		KING FOOTBOARD	1
C		STORAGE SIDE RAIL	1 SET
D		DRAWER FRAME	2 SETS
E		SLATS	1 SET
F		VERTICAL LEG - 1	2
G		VERTICAL LEG - 2	1
H		VERTICAL LEG - 3	1
I		VERTICAL LEG - 4	1
J		CENTER DRAWER SUPPORT	1
K		CENTER RAIL	1
L		DRAWER SIDE RAIL	2
M		DRAWER FRAME SUPPORT LEGS	2
N		DRAWER FOOTBOARD	4

HARDWARE LIST :

ITEM	DRAWING	DESCRIPTION	QTY
O		JCBC SCREW (M6 x 35mm)	22
P		SPRING WASHER (M8)	22
Q		FLAT WASHER (M8 x 18mm)	22
R		ALLEN KEY (M4 x 65mm)	1
S		PANHEAD SCREW (M4 x 32mm)	26
T		Ø8 x 30mm	8
U		SCREW DRIVER(*)	1

(*) The manufacturer does not provide ITEM U



COMPLETED QUEEN BOOKCASE HEADBOARD

NOTE : MUST TIGHTEN SCREWS PERIODICALLY. WITH USE SCREW MAY BECOME LOOSE. CHECK TIGHTNESS OF ALL SCREWS EVERY 6-8 WEEKS.

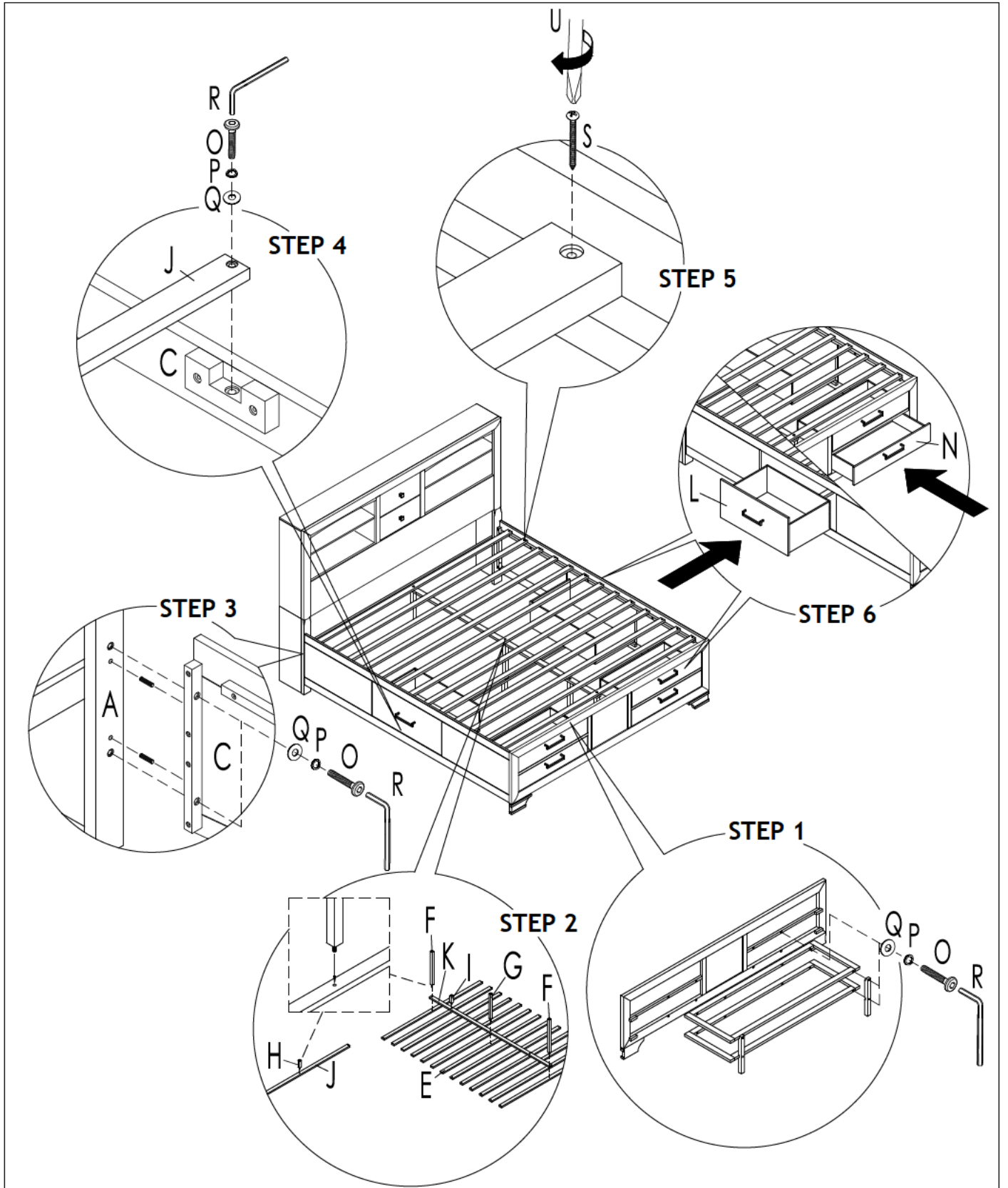
CLEANING INSTRUCTION :

AFTER ASSEMBLE, CLEAN & POLISH THE COMPLETED PARTS IF NECESSARY WITH SOFT CLOTH AND INDUSTRIAL RECOGNIZED FURNITURE POLISH.

ASSEMBLY INSTRUCTION

MODEL NO: JORDYN - WHITE / GREY - KB - HB - STORAGE & LIGHT DESCRIPTION: QUEEN STORAGE HEADBOARD W/LIGHT
 JORDYN - WHITE / GREY - KB - FB - FRAME & SLATS QUEEN STORAGE FOOTBOARD W/FRAME & SLATS
 JORDYN - WHITE / GREY - KB/QB - FB & SR DRAWER 1 K/QUEEN 2PCS FOOTBOARD DRAWER & 1PC SIDE RAILS DRAWER
 JORDYN - WHITE / GREY - KB/QB - FB & SR DRAWER 2 K/QUEEN 2PCS FOOTBOARD DRAWER & 1PC SIDE RAILS DRAWER
 JORDYN - WHITE / GREY - KB/QB - SR & CENTER STORAGE K/QUEEN SIDE RAIL & CENTER STORAGE

Thank you for purchasing this quality product. Be sure to check all packing material carefully for small parts that may have come loose inside the carton during shipment.



NOTE : MUST TIGHTEN SCREWS PERIODICALLY. WITH USE SCREW MAY BECOME LOOSE. CHECK TIGHTNESS OF ALL SCREWS EVERY 6-8 WEEKS.

CLEANING INSTRUCTION :
 AFTER ASSEMBLE, CLEAN & POLISH THE COMPLETED PARTS IF NECESSARY WITH SOFT CLOTH AND INDUSTRIAL RECOGNIZED FURNITURE POLISH.

ASSEMBLY INSTRUCTION

MODEL NO: JORDYN-WHITE/GREY-FB-HB-STORAGE & LIGHT

DESCRIPTION: FULL STORAGE HEADBOARD W / LIGHT

Thank you for purchasing this quality product. Be sure to check all packing material carefully for small parts that may have come loose inside the carton during shipment.

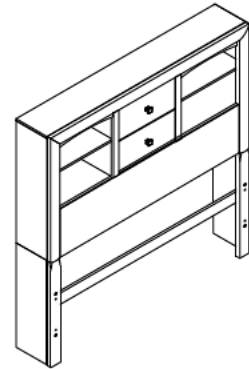
PART LIST :

ITEM	DRAWING	DESCRIPTION	QTY
A		FULL HEADBOARD	1
B		LEFT HEADBOARD LEG	1
C		RIGHT HEADBOARD LEG	1
D		SHELF	2

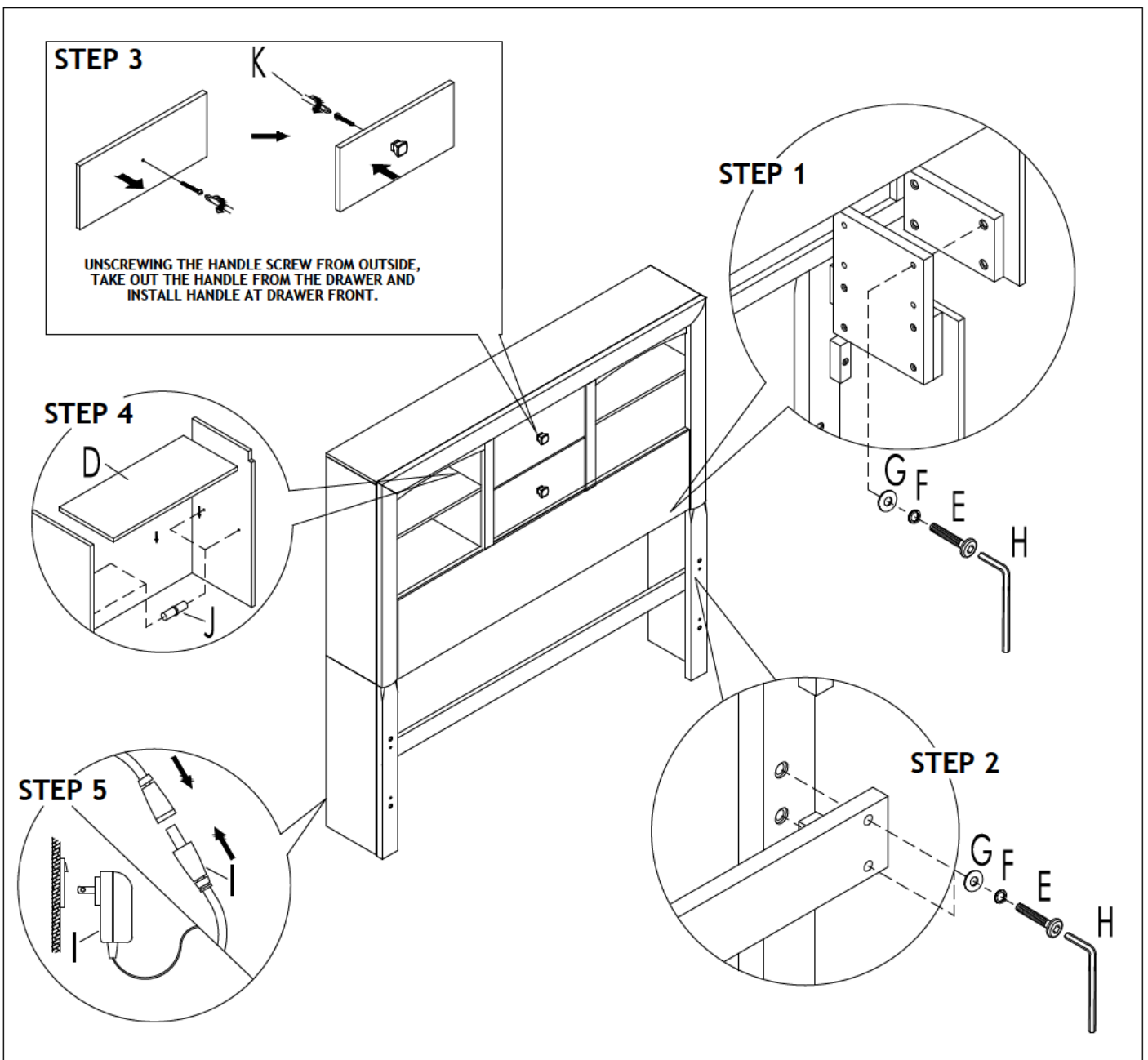
HARDWARE LIST :

ITEM	DRAWING	DESCRIPTION	QTY
E		JCBC SCREW (M6 x 35mm)	12
F		SPRING WASHER (M8)	12
G		FLAT WASHER (M8 x 18mm)	12
H		ALLEN KEY (M4 x 65mm)	1
I		ADAPTER (12V / 1.0A)	1
J		SHELF SUPPORT	8
K		SCREW DRIVER(*)	1

(*) The manufacturer does not provide ITEM K



COMPLETED FULL BOOKCASE HEADBOARD



NOTE : MUST TIGHTEN SCREWS PERIODICALLY. WITH USE SCREW MAY BECOME LOOSE. CHECK TIGHTNESS OF ALL SCREWS EVERY 6-8 WEEKS.

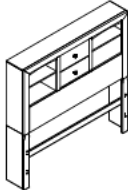
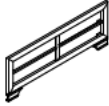
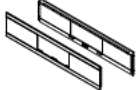

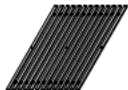









CLEANING INSTRUCTION :
AFTER ASSEMBLE, CLEAN & POLISH THE COMPLETED PARTS IF NECESSARY WITH SOFT CLOTH AND INDUSTRIAL RECOGNIZED FURNITURE POLISH.

ASSEMBLY INSTRUCTION



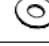
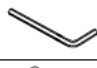


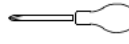
MODEL NO: JORDYN - WHITE / GREY - FB - HB - STORAGE & LIGHT DESCRIPTION: FULL STORAGE HEADBOARD W/LIGHT
 JORDYN - WHITE / GREY - FB - FB - FRAME & SLATS FULL STORAGE FOOTBOARD W/FRAME & SLATS
 JORDYN - WHITE / GREY - FB - FB & SR DRAWER 1 FULL 2PCS FOOTBOARD DRAWER & 1PC SIDE RAILS DRAWER
 JORDYN - WHITE / GREY - FB - FB & SR DRAWER 2 FULL 2PCS FOOTBOARD DRAWER & 1PC SIDE RAILS DRAWER
 JORDYN - WHITE / GREY - FB - SR & CENTER STORAGE FULL SIDE RAIL & CENTER STORAGE

Thank you for purchasing this quality product. Be sure to check all packing material carefully for small parts that may have come loose inside the carton during shipment.

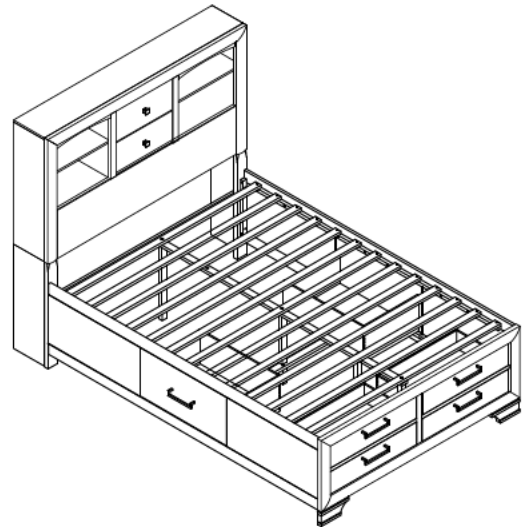
PART LIST :

ITEM	DRAWING	DESCRIPTION	QTY
A		FULL HEADBOARD	1
B		FULL FOOTBOARD	1
C		STORAGE SIDE RAIL	1 SET
D		DRAWER FRAME	2 SETS
E		SLATS	1 SET
F		VERTICAL LEG - 1	2
G		VERTICAL LEG - 2	1
H		VERTICAL LEG - 3	1
I		VERTICAL LEG - 4	1
J		CENTER DRAWER SUPPORT	1
K		CENTER RAIL	1
L		DRAWER SIDE RAIL	2
M		DRAWER FRAME SUPPORT LEGS	2
N		DRAWER FOOTBOARD	4

HARDWARE LIST :

ITEM	DRAWING	DESCRIPTION	QTY
O		JCBC SCREW (M6 x 35mm)	22
P		SPRING WASHER (M8)	22
Q		FLAT WASHER (M8 x 18mm)	22
R		ALLEN KEY (M4 x 65mm)	1
S		PANHEAD SCREW (M4 x 32mm)	26
T		Ø8 x 30mm	8
U		SCREW DRIVER(*)	1

(*) The manufacturer does not provide ITEM U



COMPLETED FULL BOOKCASE HEADBOARD

NOTE : MUST TIGHTEN SCREWS PERIODICALLY. WITH USE SCREW MAY BECOME LOOSE. CHECK TIGHTNESS OF ALL SCREWS EVERY 6-8 WEEKS.

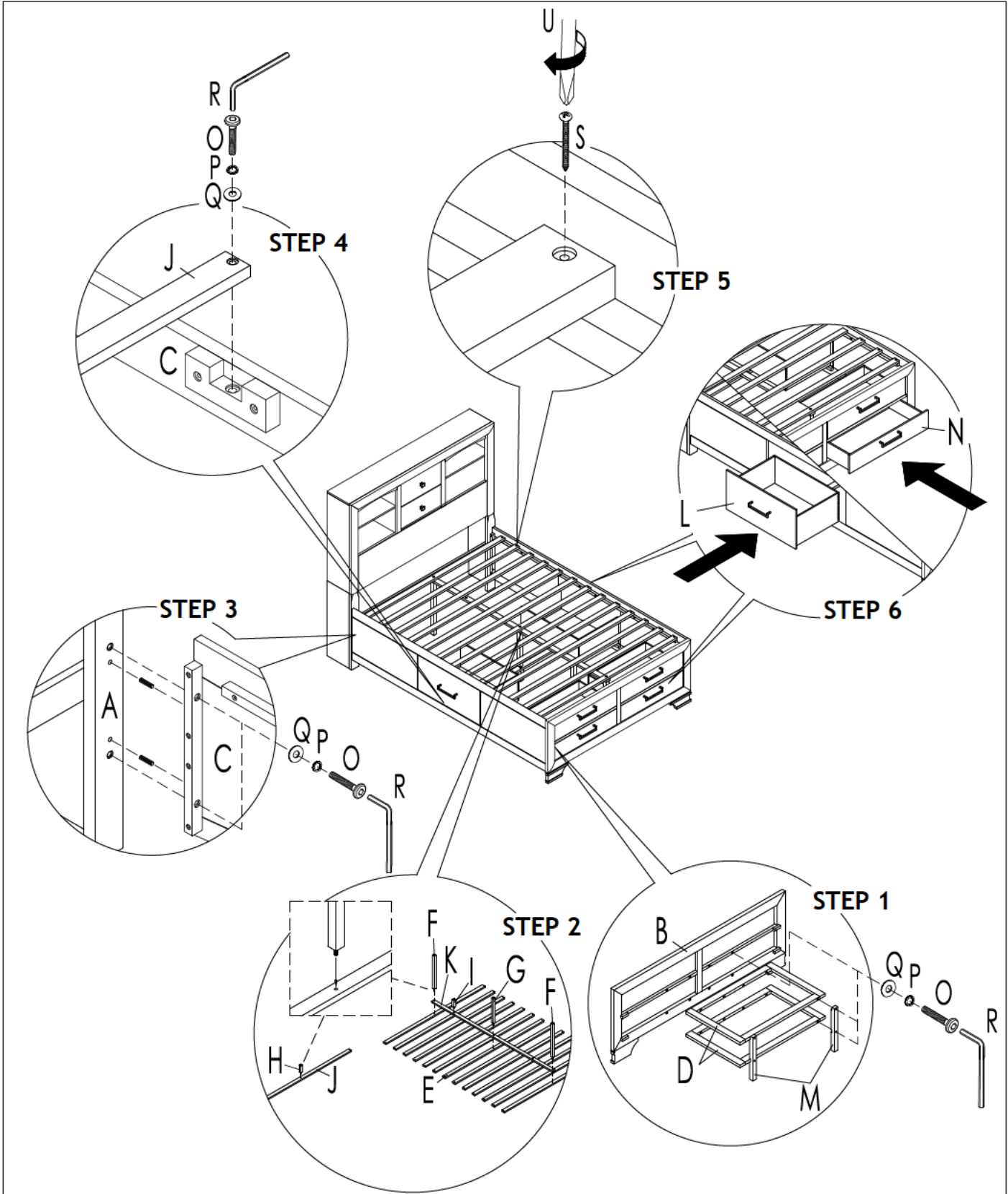
CLEANING INSTRUCTION :

AFTER ASSEMBLE, CLEAN & POLISH THE COMPLETED PARTS IF NECESSARY WITH SOFT CLOTH AND INDUSTRIAL RECOGNIZED FURNITURE POLISH.

ASSEMBLY INSTRUCTION

MODEL NO: JORDYN - WHITE / GREY - FB - HB - STORAGE & LIGHT DESCRIPTION: FULL STORAGE HEADBOARD W/LIGHT
 JORDYN - WHITE / GREY - FB - FB - FRAME & SLATS FULL STORAGE FOOTBOARD W/FRAME & SLATS
 JORDYN - WHITE / GREY - FB - FB & SR DRAWER 1 FULL 2PCS FOOTBOARD DRAWER & 1PC SIDE RAILS DRAWER
 JORDYN - WHITE / GREY - FB - FB & SR DRAWER 2 FULL 2PCS FOOTBOARD DRAWER & 1PC SIDE RAILS DRAWER
 JORDYN - WHITE / GREY - FB - SR & CENTER STORAGE FULL SIDE RAIL & CENTER STORAGE

Thank you for purchasing this quality product. Be sure to check all packing material carefully for small parts that may have come loose inside the carton during shipment.



NOTE : MUST TIGHTEN SCREWS PERIODICALLY. WITH USE SCREW MAY BECOME LOOSE. CHECK TIGHTNESS OF ALL SCREWS EVERY 6-8 WEEKS.

CLEANING INSTRUCTION :
 AFTER ASSEMBLE, CLEAN & POLISH THE COMPLETED PARTS IF NECESSARY WITH SOFT CLOTH AND INDUSTRIAL RECOGNIZED FURNITURE POLISH.



ASSEMBLY INSTRUCTION

MODEL NO: JORDYN - WHITE / GREY - DR






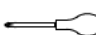
DESCRIPTION: DRESSER

Thank you for purchasing this quality product. Be sure to check all packing material carefully for small parts that may have come loose inside the carton during shipment.

PART LIST :

ITEM	DRAWING	DESCRIPTION	QTY
A		DRESSER	1
B		LEG	4

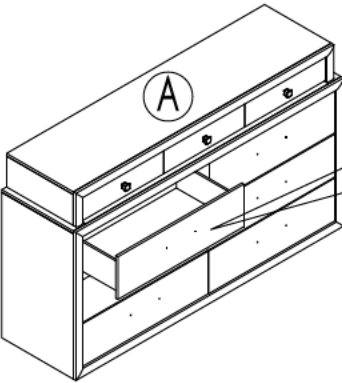
HARDWARE LIST :

ITEM	DRAWING	DESCRIPTION	QTY
C		JCBC SCREW (M6 x 35mm)	8
D		SPRING WASHER (M8)	8
E		FLAT WASHER (M8 x 18mm)	8
F		ALLEN KEY (M4 x 65mm)	1
G		TIPPING RESTRAINT	1
H		SCREW DRIVER(*)	1

(*) The manufacturer does not provide ITEM H

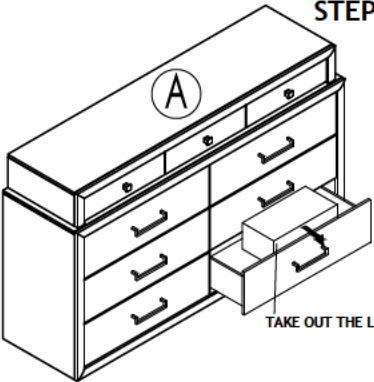


COMPLETED DRESSER



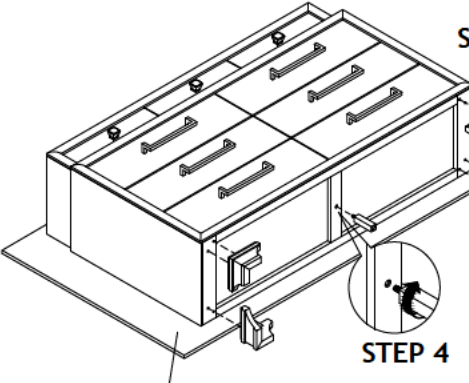
STEP 1

UNSCREWING THE HANDLE SCREW FROM OUTSIDE, TAKE OUT THE HANDLE FROM THE DRAWER AND INSTALL HANDLE AT DRAWER FRONT.



STEP 2

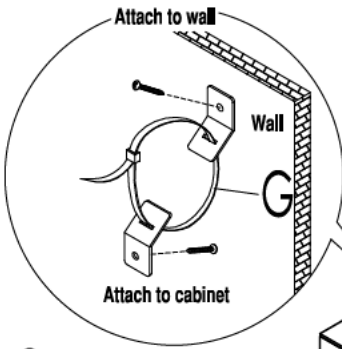
TAKE OUT THE LEG



STEP 3

STEP 4

COVER WITH FLAT & SOFT SURFACE



STEP 4

Attach to wall

Wall

Attach to cabinet

NOTE : MUST TIGHTEN SCREWS PERIODICALLY. WITH USE SCREW MAY BECOME LOOSE. CHECK TIGHTNESS OF ALL SCREWS EVERY 6-8 WEEKS.

CLEANING INSTRUCTION :
AFTER ASSEMBLE, CLEAN & POLISH THE COMPLETED PARTS IF NECESSARY WITH SOFT CLOTH AND INDUSTRIAL RECOGNIZED FURNITURE POLISH.

ASSEMBLY INSTRUCTION

MODEL NO: JORDYN - WHITE / GREY - MR

DESCRIPTION: MIRROR

Thank you for purchasing this quality product. Be sure to check all packing material carefully for small parts that may have come loose inside the carton during shipment.

PART LIST :

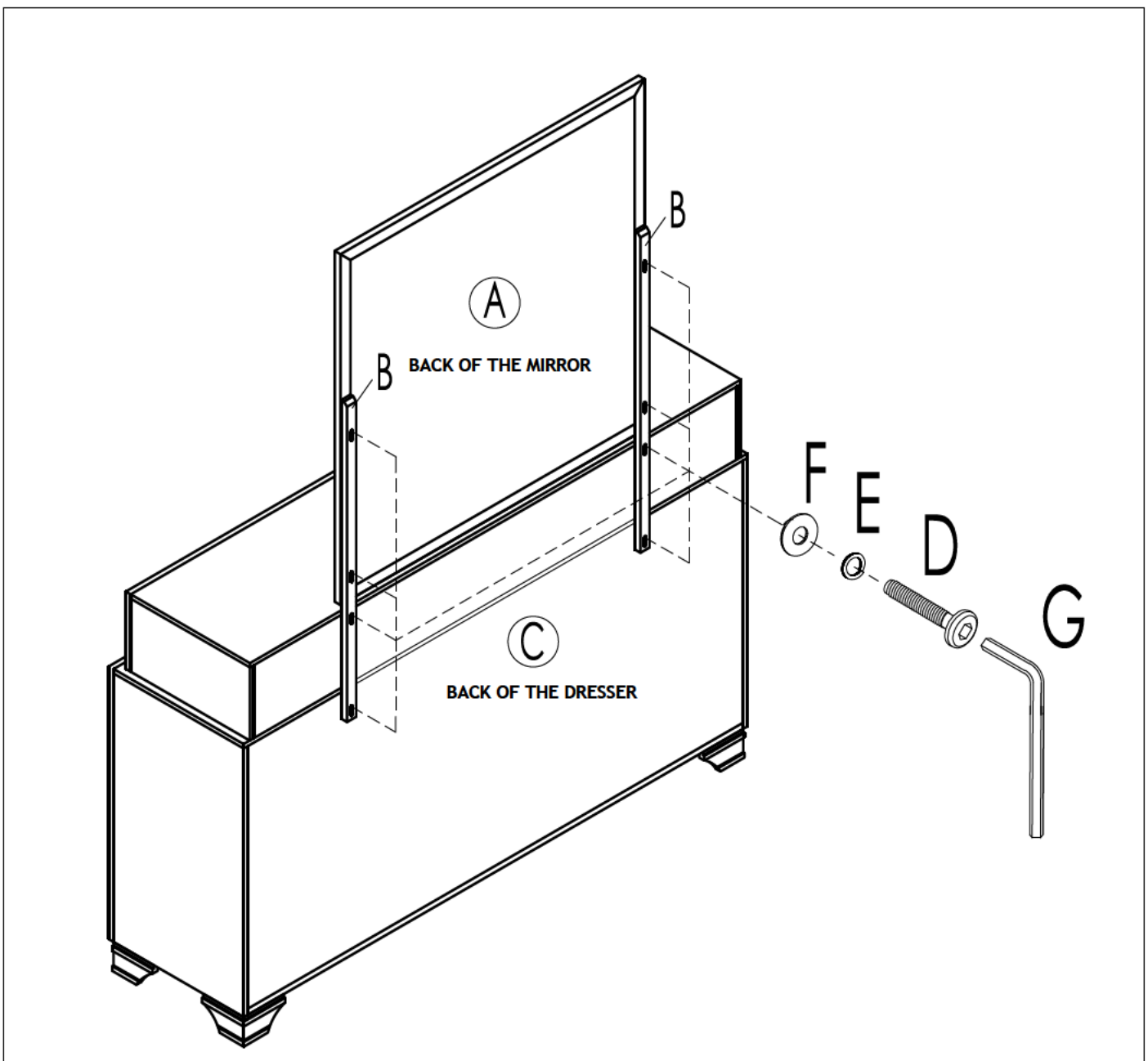
ITEM	DRAWING	DESCRIPTION	QTY
A		MIRROR	1
B		MIRROR SUPPORT	1
C		MIRROR SUPPORT	1

HARDWARE LIST :

ITEM	DRAWING	DESCRIPTION	QTY
D		JCBC SCREW (M6 x 35mm)	8
E		SPRING WASHER (M8)	8
F		FLAT WASHER (M8 x 18mm)	8
G		ALLEN KEY (M4 x 65mm)	1



COMPLETED MIRROR



NOTE : MUST TIGHTEN SCREWS PERIODICALLY. WITH USE SCREW MAY BECOME LOOSE. CHECK TIGHTNESS OF ALL SCREWS EVERY 6-8 WEEKS.

CLEANING INSTRUCTION :
AFTER ASSEMBLE, CLEAN & POLISH THE COMPLETED PARTS IF NECESSARY WITH SOFT CLOTH AND INDUSTRIAL RECOGNIZED FURNITURE POLISH.



ASSEMBLY INSTRUCTION

MODEL NO: JORDYN - WHITE / GREY - NS




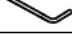
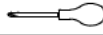
DESCRIPTION: NIGHT STAND

Thank you for purchasing this quality product. Be sure to check all packing material carefully for small parts that may have come loose inside the carton during shipment.

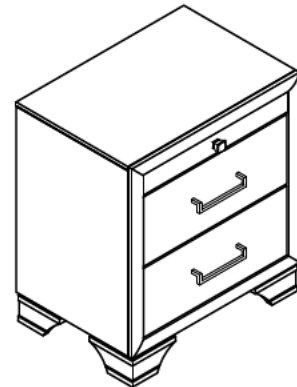
PART LIST :

ITEM	DRAWING	DESCRIPTION	QTY
A		NIGHT STAND	1
B		LEG	4

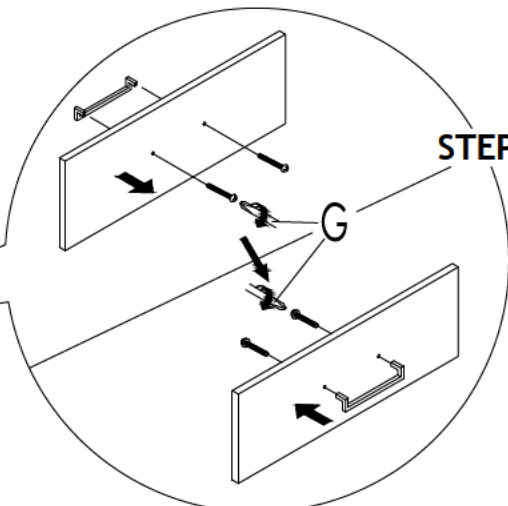
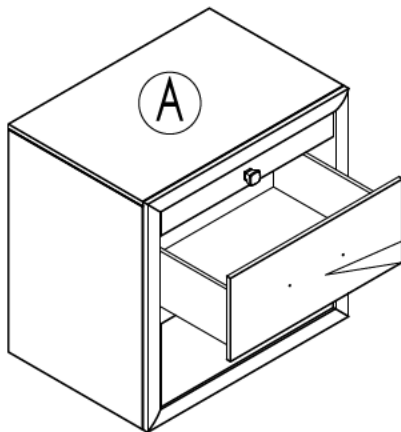
HARDWARE LIST :

ITEM	DRAWING	DESCRIPTION	QTY
C		JCBC SCREW (M6 x 35mm)	8
D		SPRING WASHER (M8)	8
E		FLAT WASHER (M8 x 18mm)	8
F		ALLEN KEY (M4 x 65mm)	1
G		SCREW DRIVER(*)	1

(*) The manufacturer does not provide ITEM G

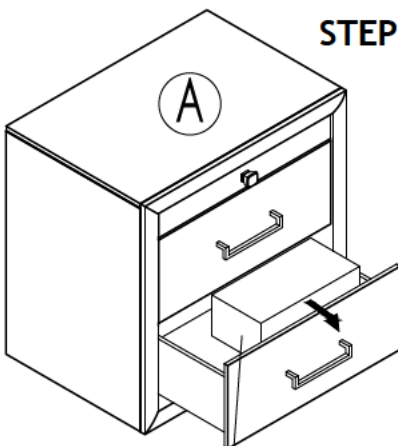


COMPLETED NIGHT STAND



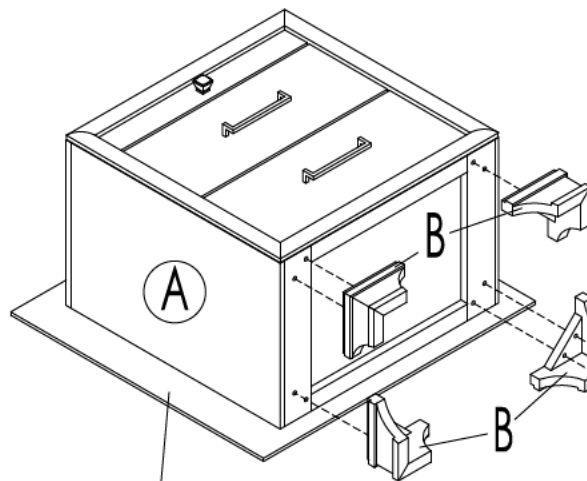
STEP 1

UNSCREWING THE HANDLE SCREW FROM OUTSIDE, TAKE OUT THE HANDLE FROM THE DRAWER AND INSTALL HANDLE AT DRAWER FRONT.



STEP 2

TAKE OUT THE LEG



COVER WITH FLAT & SOFT SURFACE

STEP 3



NOTE : MUST TIGHTEN SCREWS PERIODICALLY. WITH USE SCREW MAY BECOME LOOSE. CHECK TIGHTNESS OF ALL SCREWS EVERY 6-8 WEEKS.

CLEANING INSTRUCTION :
AFTER ASSEMBLE, CLEAN & POLISH THE COMPLETED PARTS IF NECESSARY WITH SOFT CLOTH AND INDUSTRIAL RECOGNIZED FURNITURE POLISH.

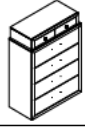

ASSEMBLY INSTRUCTION

MODEL NO: JORDYN - WHITE / GREY - CH






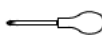
DESCRIPTION: CHEST

Thank you for purchasing this quality product. Be sure to check all packing material carefully for small parts that may have come loose inside the carton during shipment.

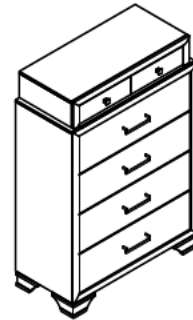
PART LIST :

ITEM	DRAWING	DESCRIPTION	QTY
A		CHEST	1
B		LEG	4

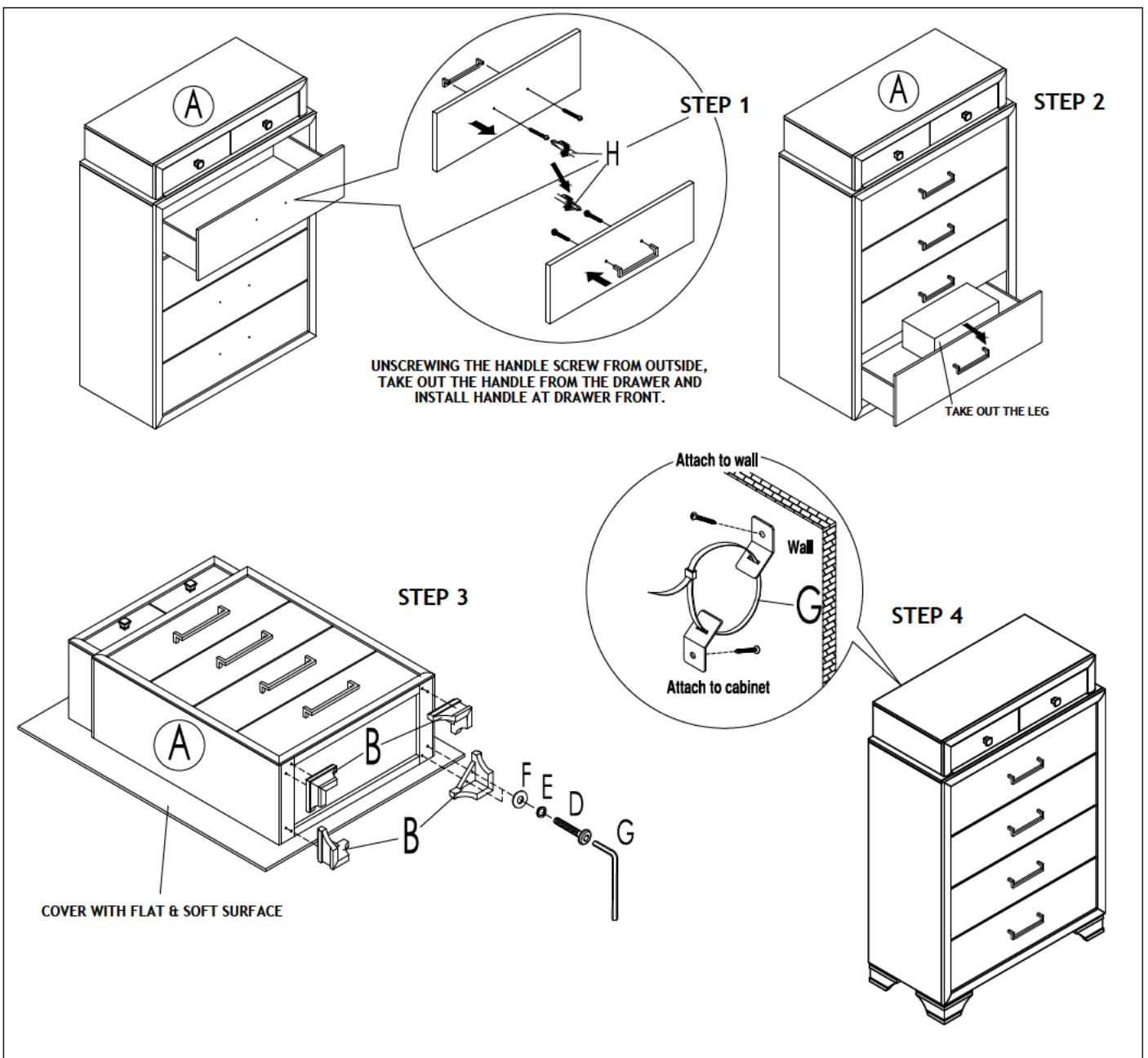
HARDWARE LIST :

ITEM	DRAWING	DESCRIPTION	QTY
C		JCBC SCREW (M6 x 35mm)	8
D		SPRING WASHER (M8)	8
E		FLAT WASHER (M8 x 18mm)	8
F		ALLEN KEY (M4 x 65mm)	1
G		TIPPING RESTRAINT	1
H		SCREW DRIVER(*)	1

(*) The manufacturer does not provide ITEM H



COMPLETED CHEST



NOTE : MUST TIGHTEN SCREWS PERIODICALLY. WITH USE SCREW MAY BECOME LOOSE. CHECK TIGHTNESS OF ALL SCREWS EVERY 6-8 WEEKS.

CLEANING INSTRUCTION :
AFTER ASSEMBLE, CLEAN & POLISH THE COMPLETED PARTS IF NECESSARY WITH SOFT CLOTH AND INDUSTRIAL RECOGNIZED FURNITURE POLISH.