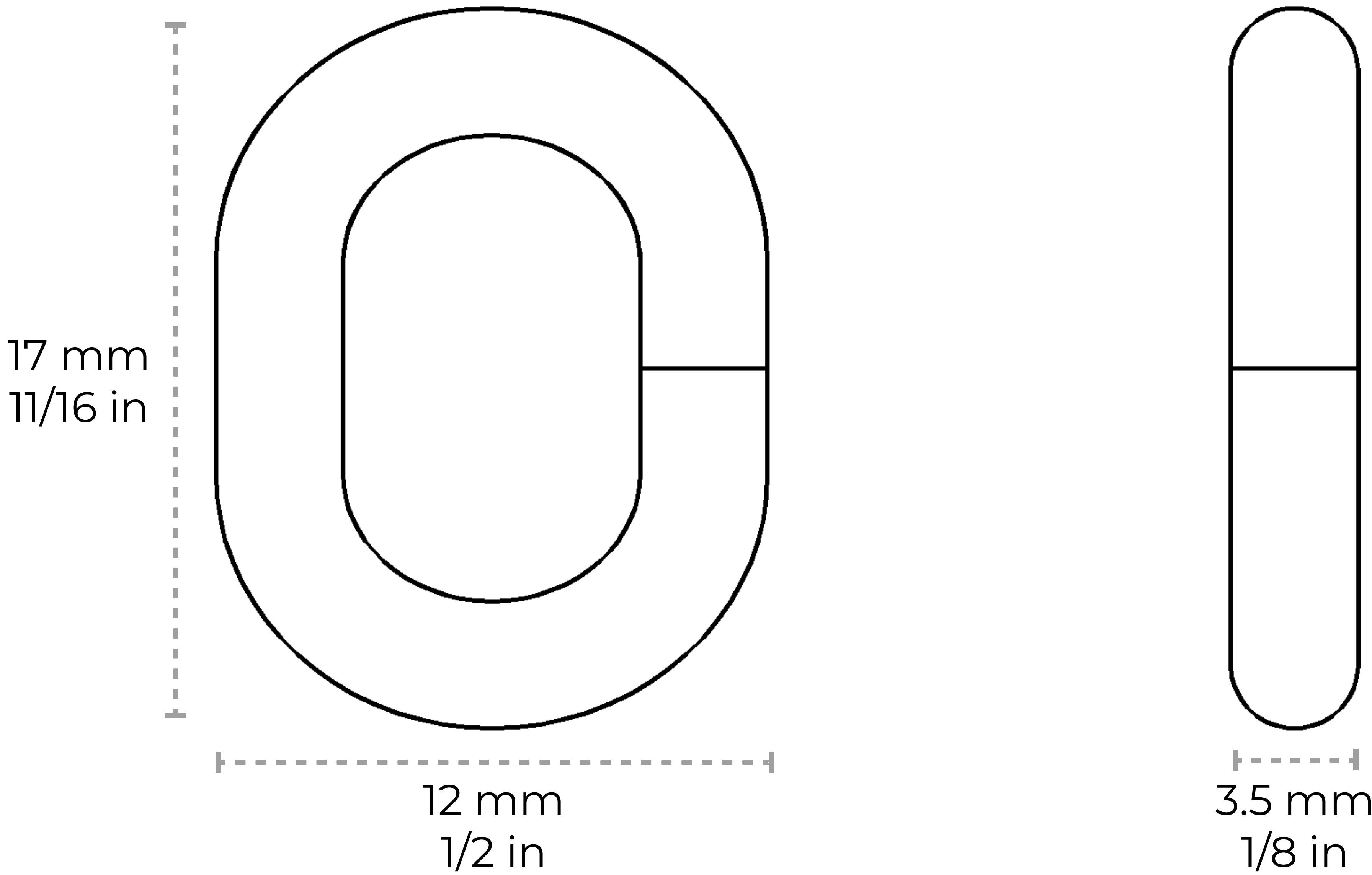


CH-BR25-U17

[Chain BR25-U] Brass Small Round Chandelier Chain



Material	Brass
Welding Type	Unwelded
Max Load	34 lbs
Weight per Foot	0.22 lbs/ft
Main Link Measurements	Length: 17 mm 11/16 in Width: 12 mm 1/2 in Diameter: 3.5 mm 1/8 in

Contact:

1-360-392-8121
<https://www.rchhardware.com>

