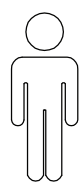
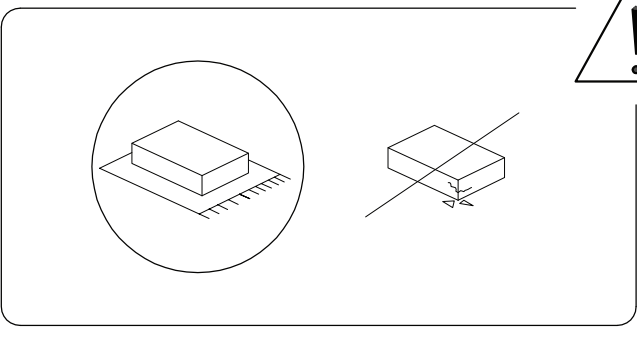
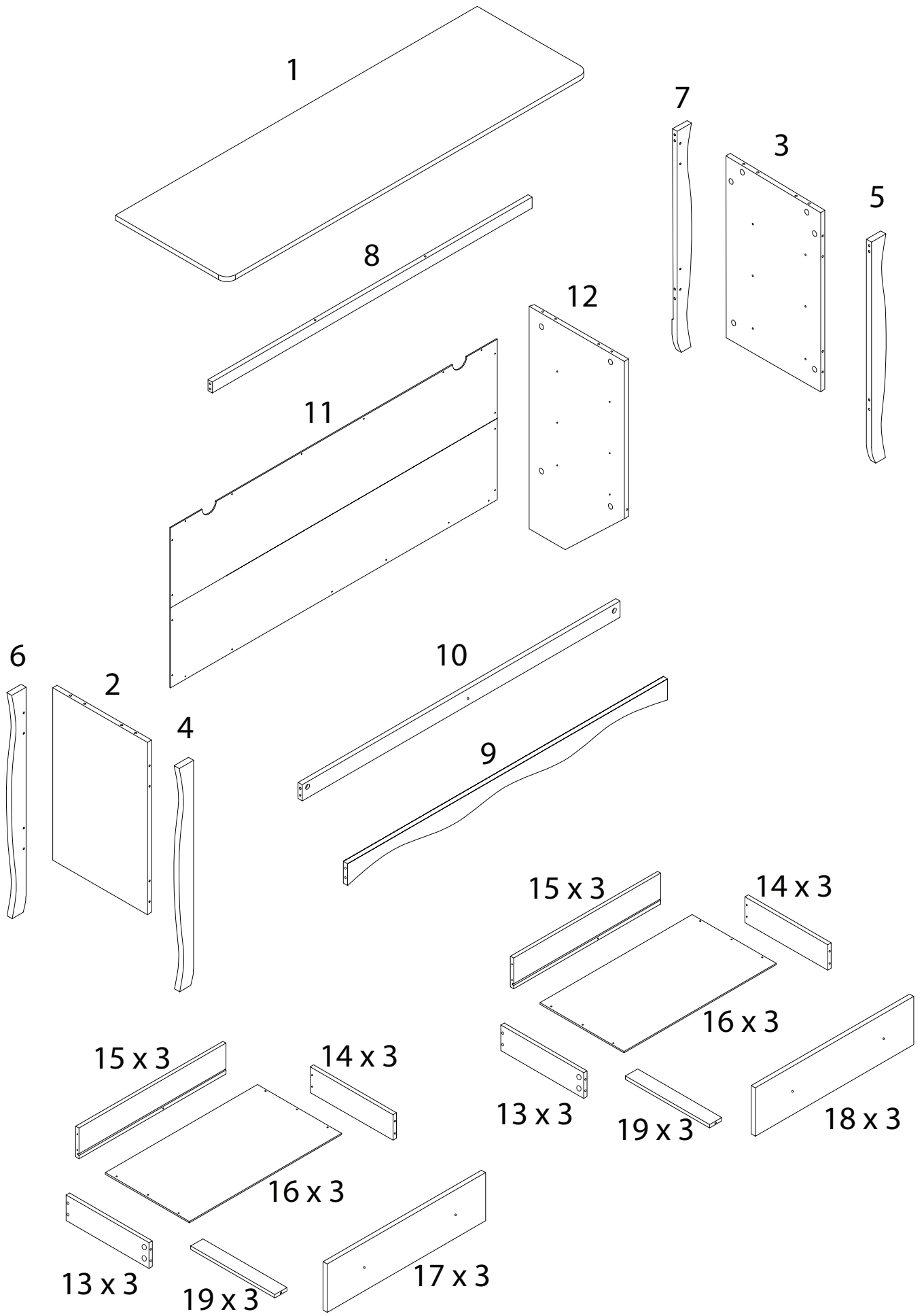
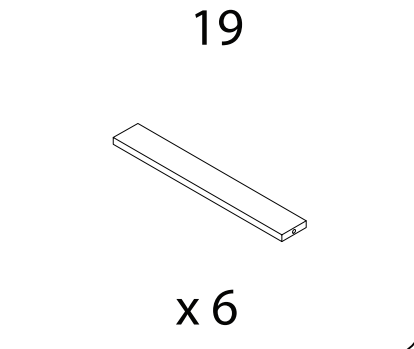
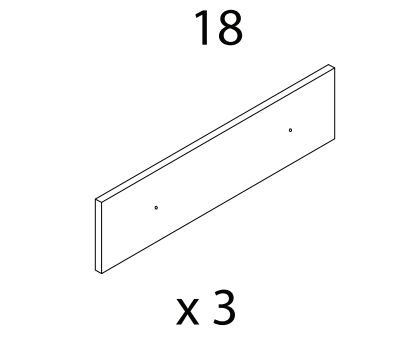
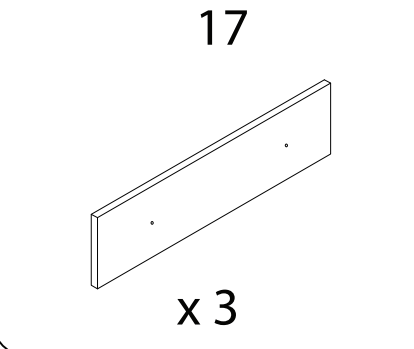
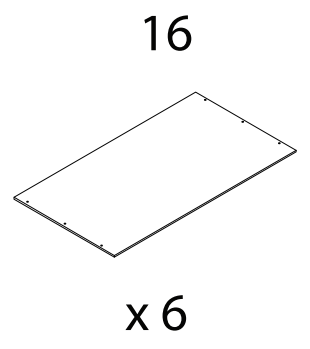
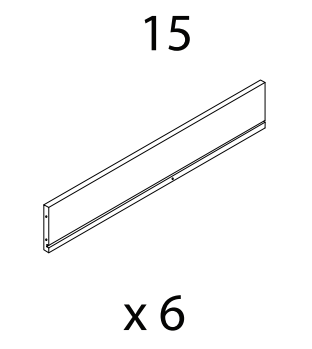
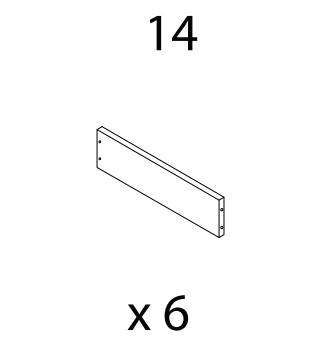
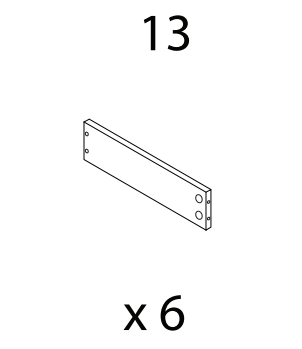
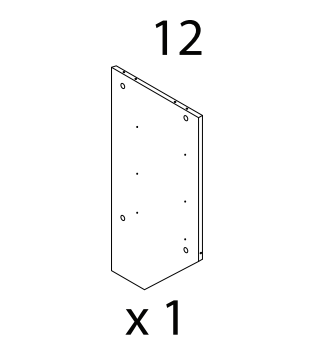
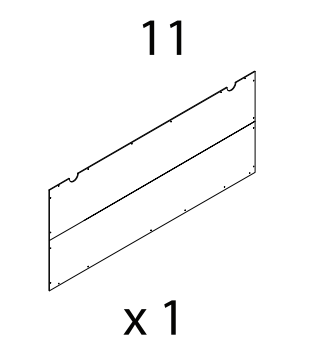
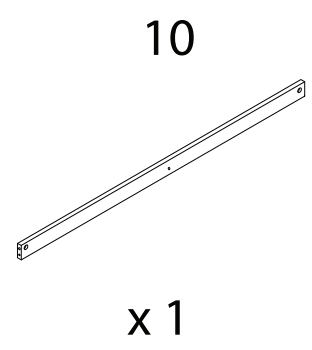
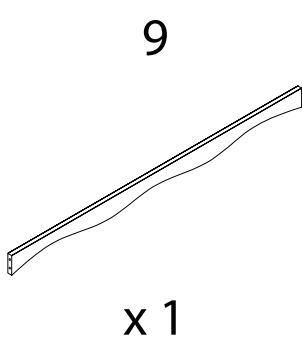
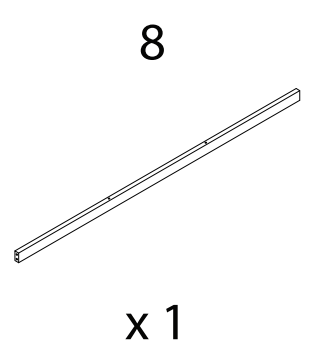
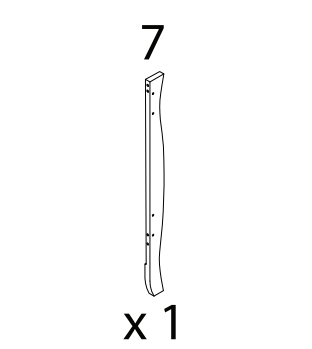
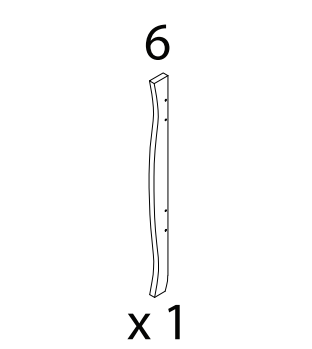
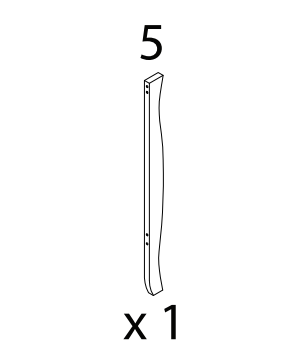
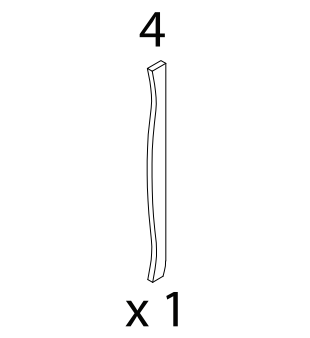
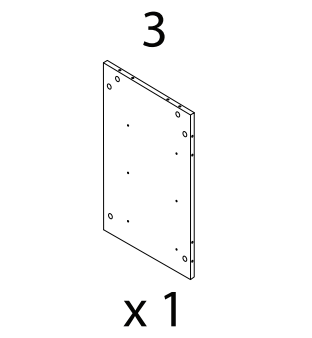
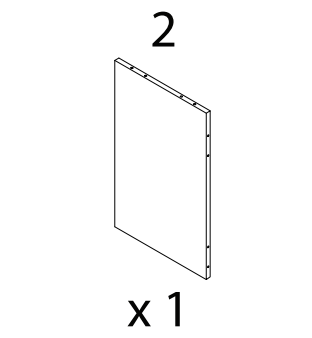
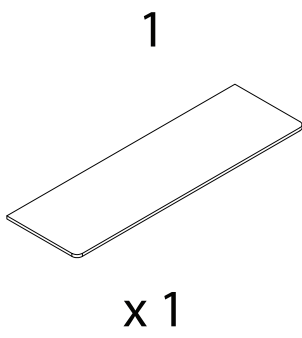


120'



2



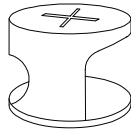


A



x 50

B



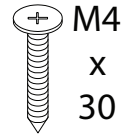
x 50

C



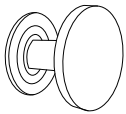
x 22

D



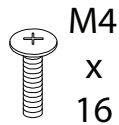
x 30

E



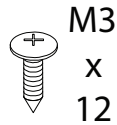
x 12

F



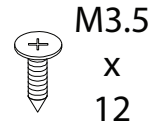
x 12

G



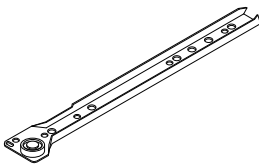
x 20

H



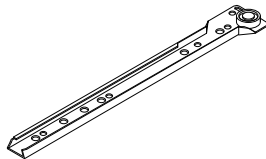
x 60

I



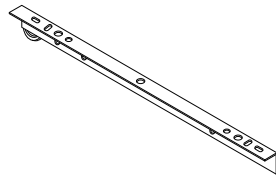
x 6

J



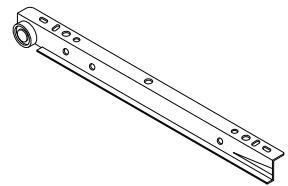
x 6

K



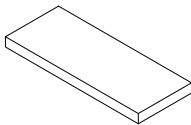
x 6

L



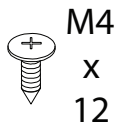
x 6

M



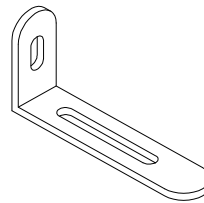
x 4

N



x 2

O



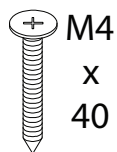
x 2

P



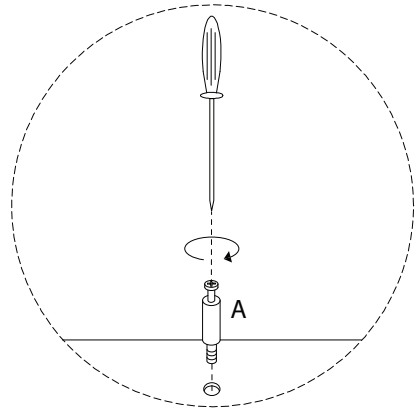
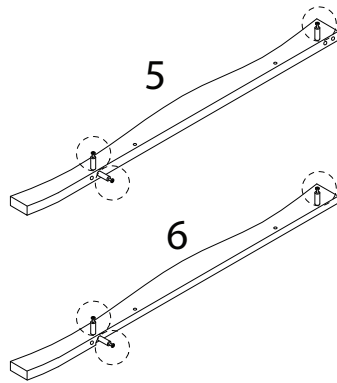
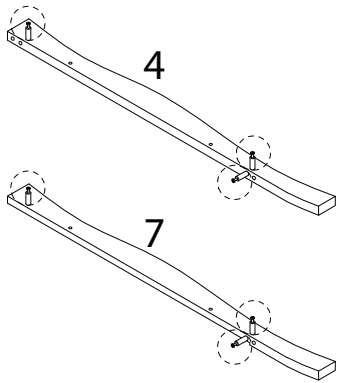
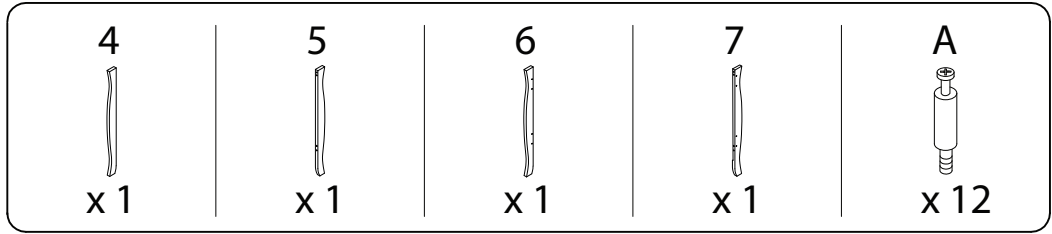
x 2

Q

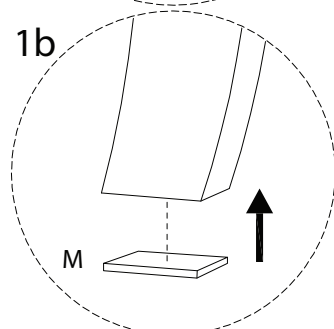
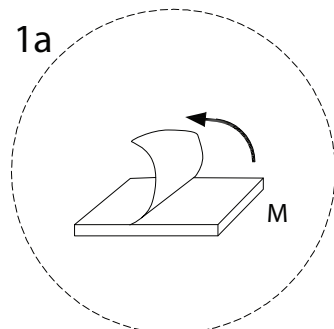
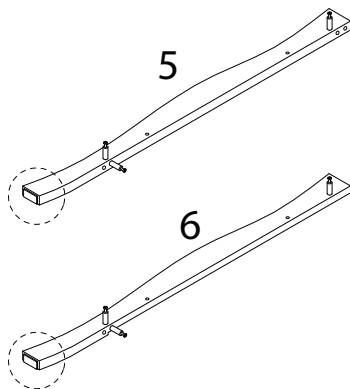
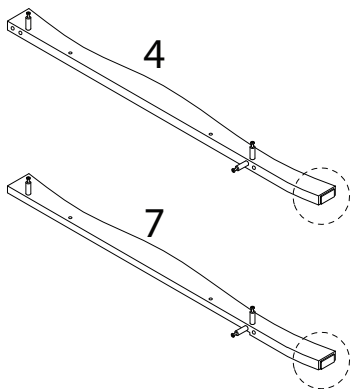
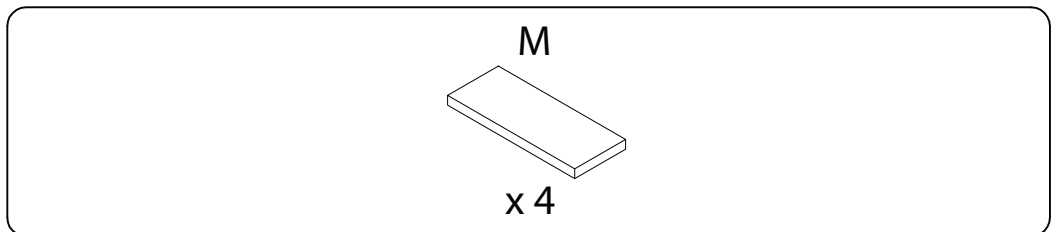


x 4

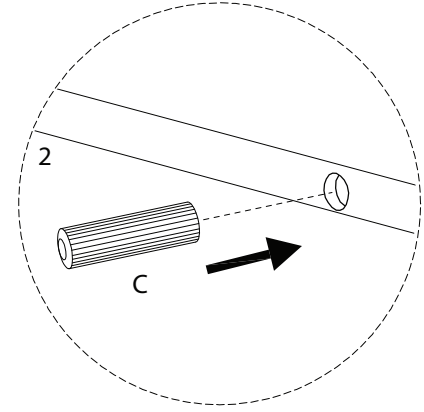
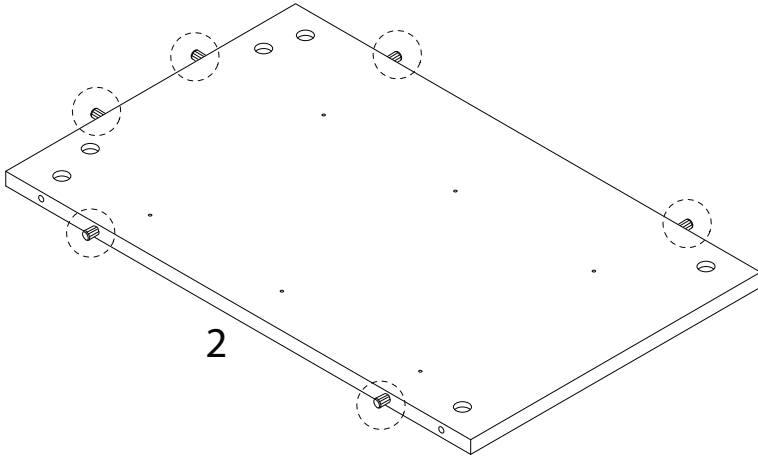
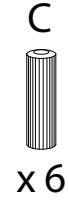
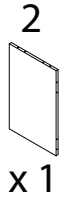
1



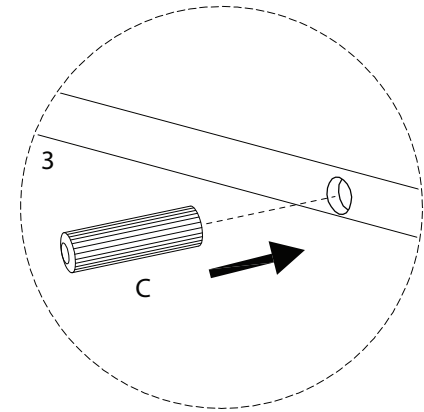
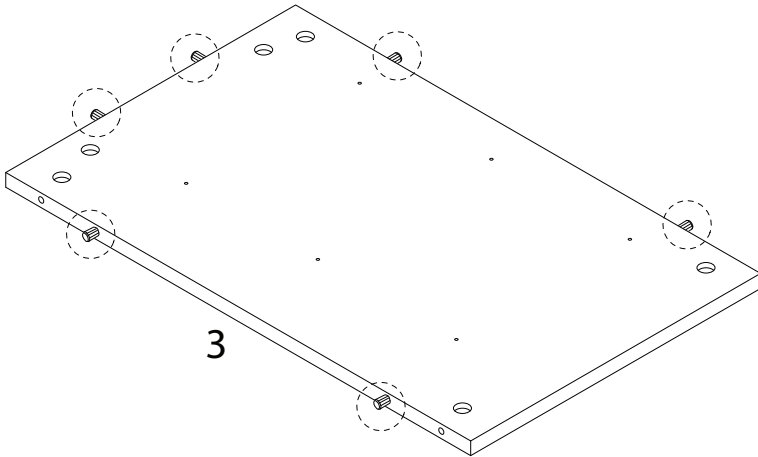
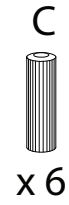
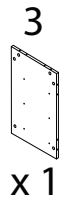
2



3



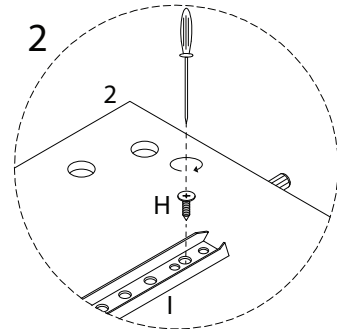
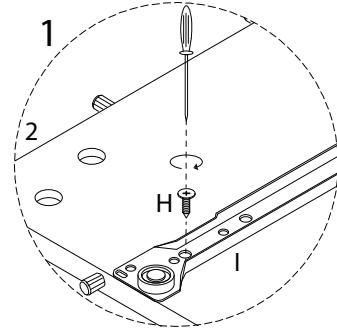
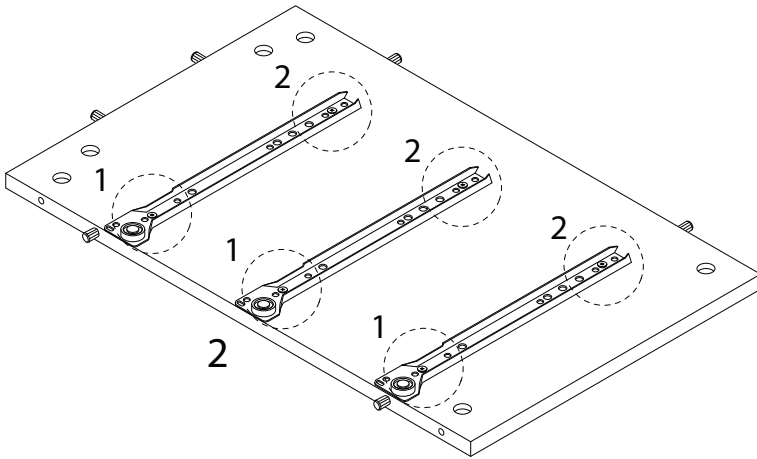
4



5

H
M3.5
x
12
x 6

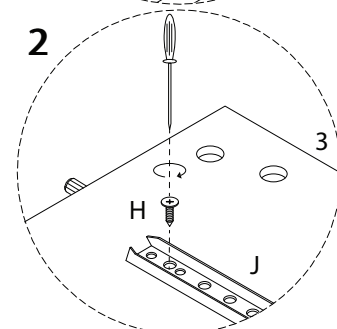
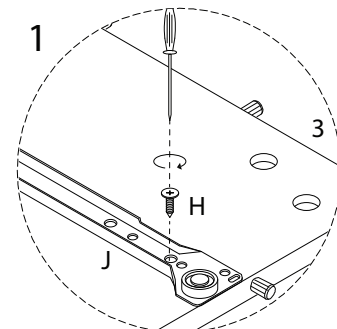
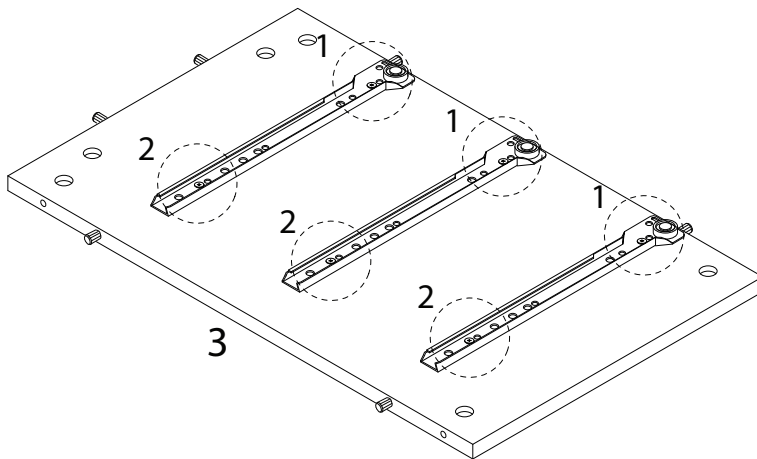
I
x 3



6

H
M3.5
x
12
x 6

J
x 3

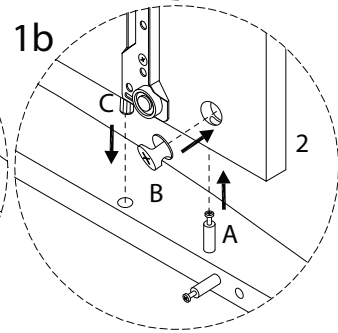
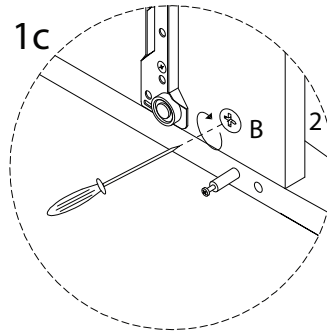
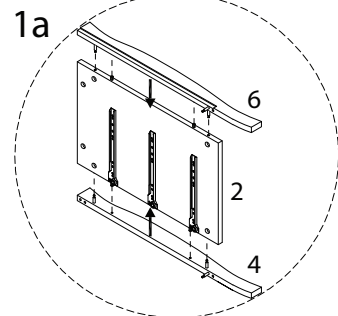
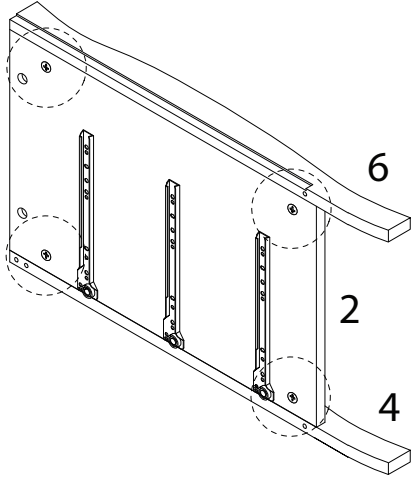


7

B



x 4

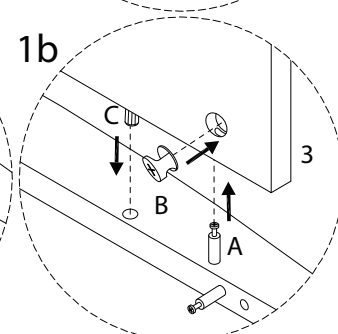
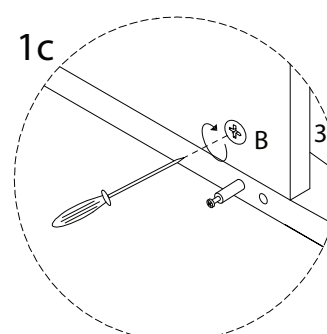
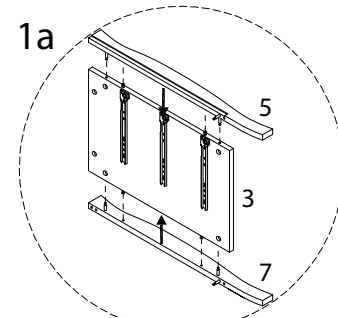
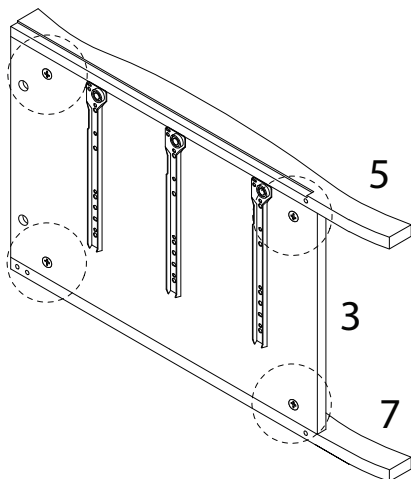


8

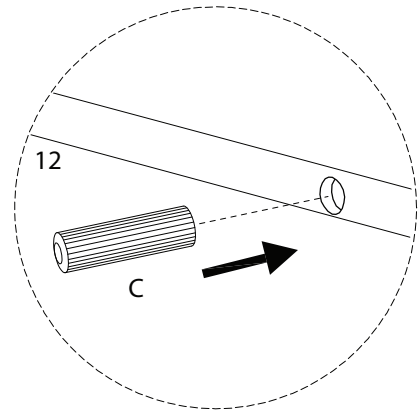
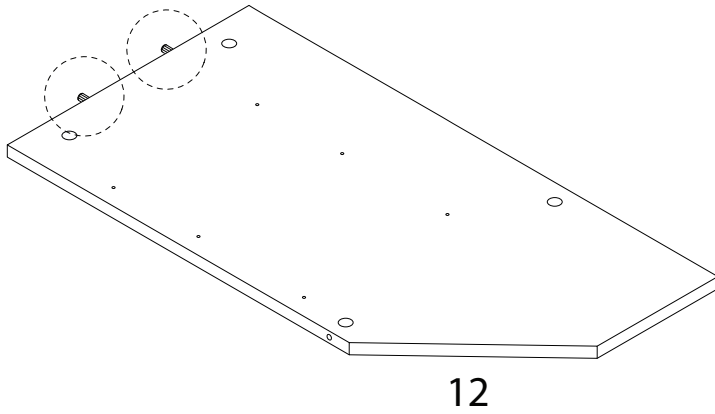
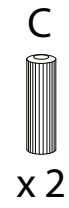
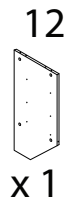
B



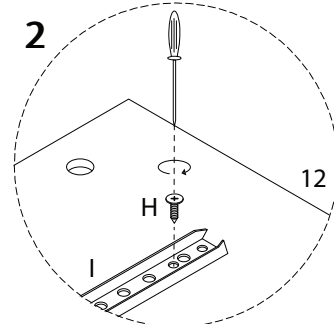
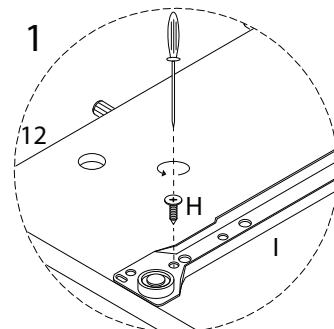
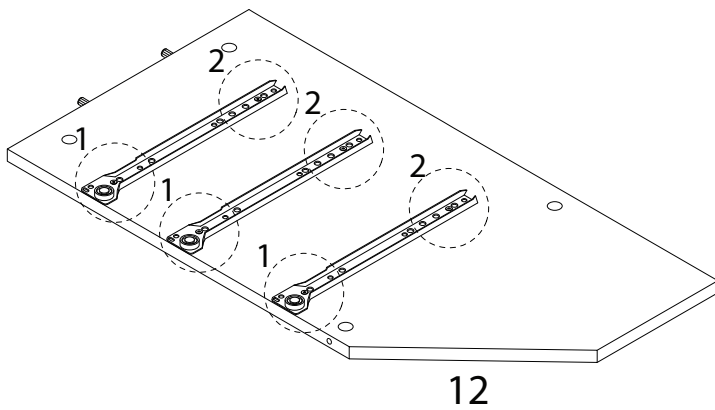
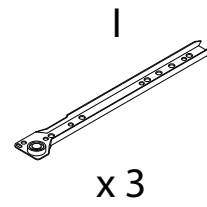
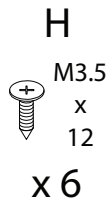
x 4



9



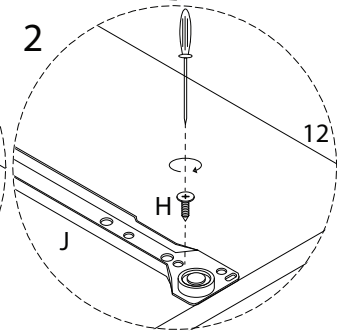
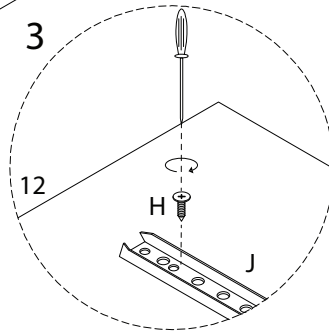
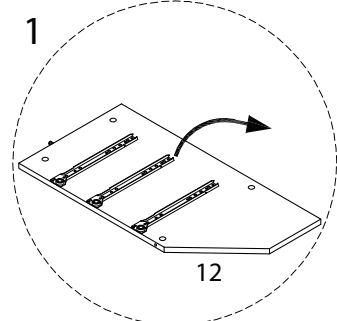
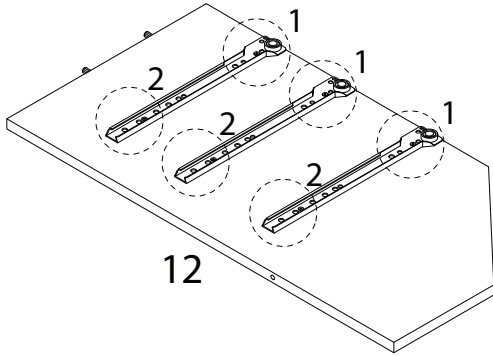
10



11

H
M3.5
x
12
x 6

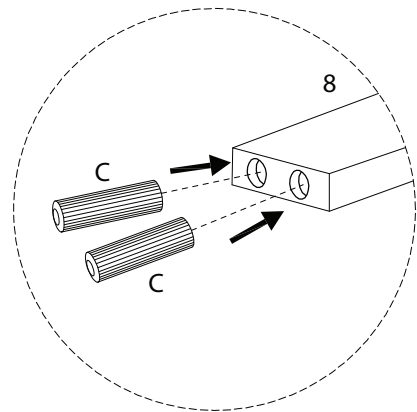
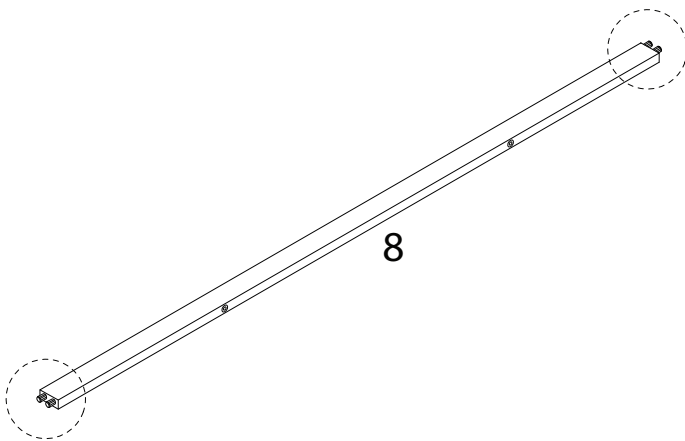
J
x 3



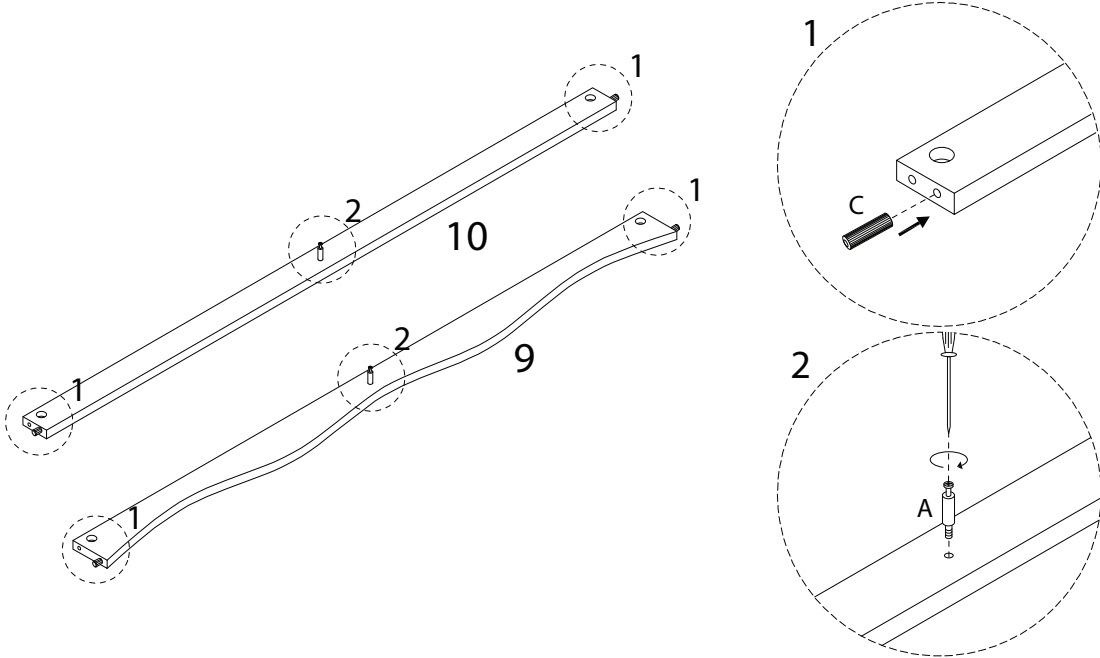
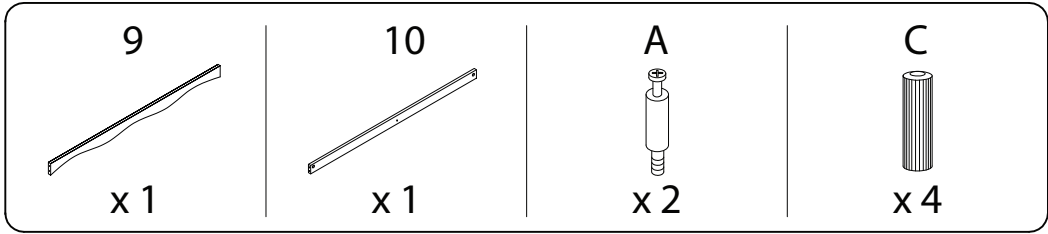
12

8
x 1

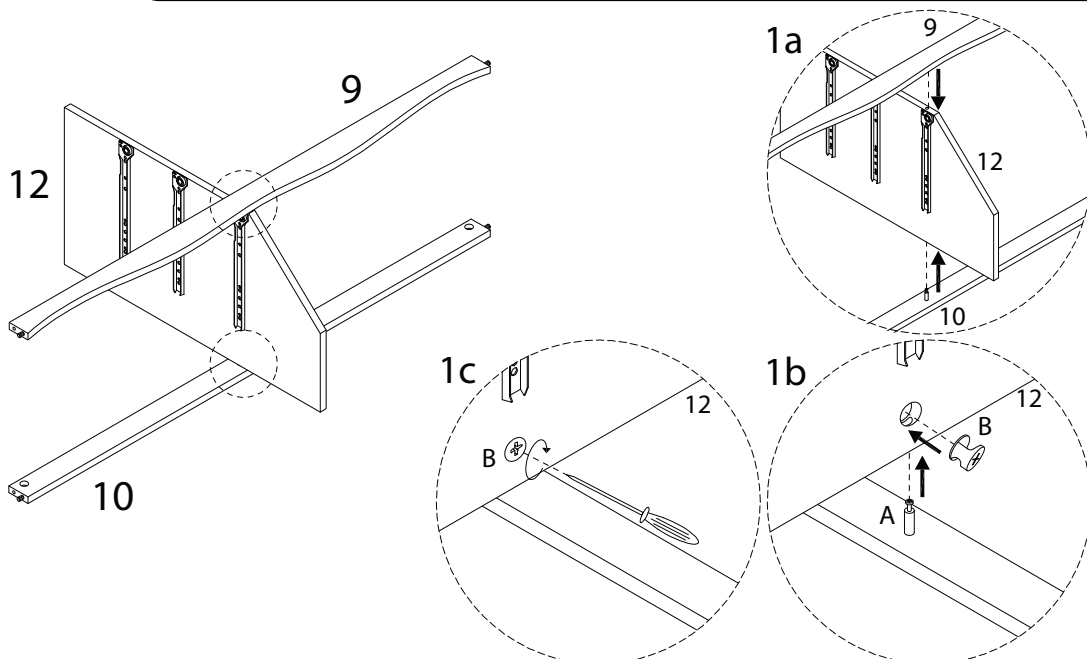
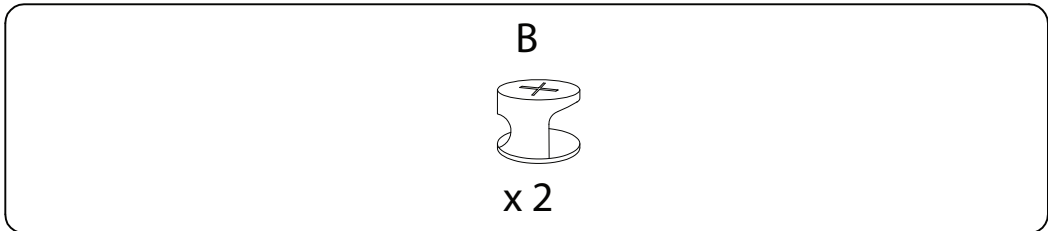
C
x 4



13



14

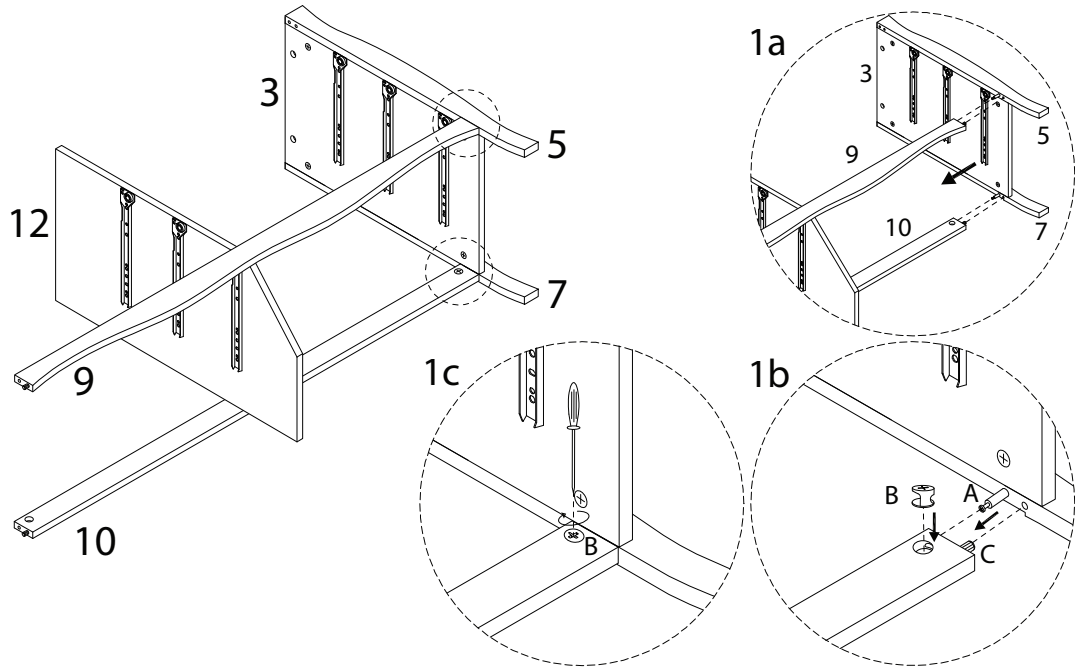


15

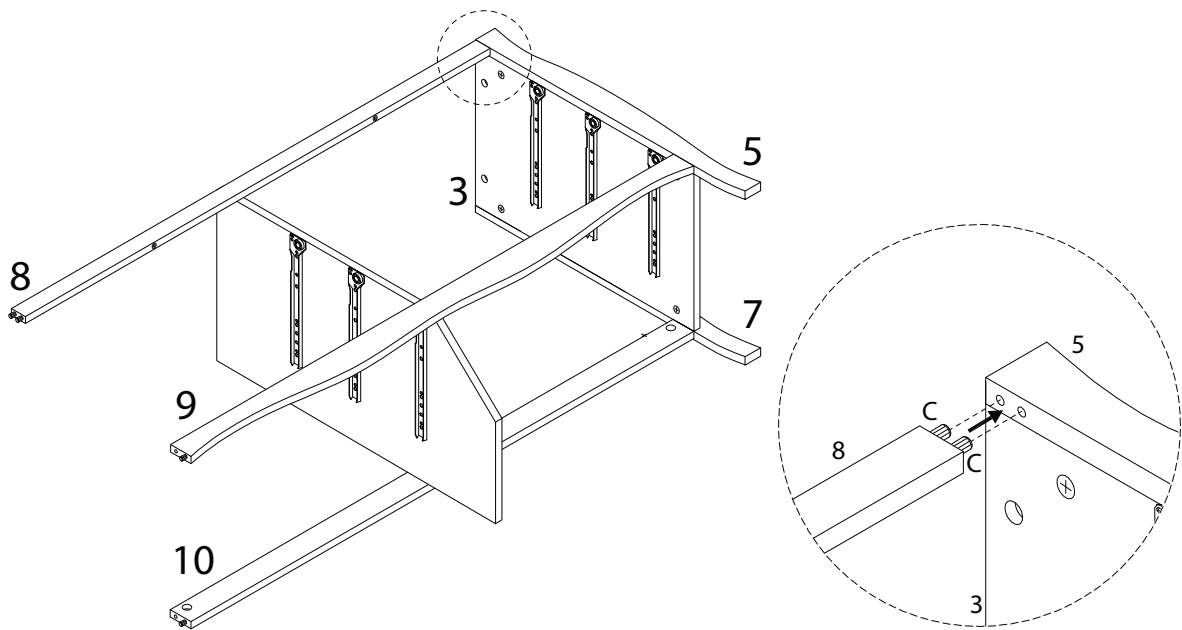
B



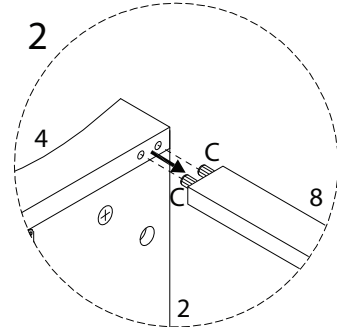
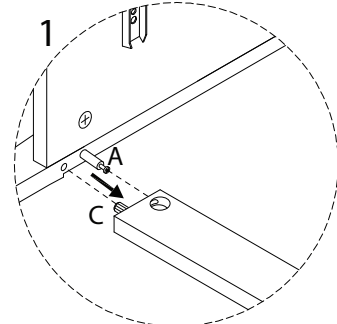
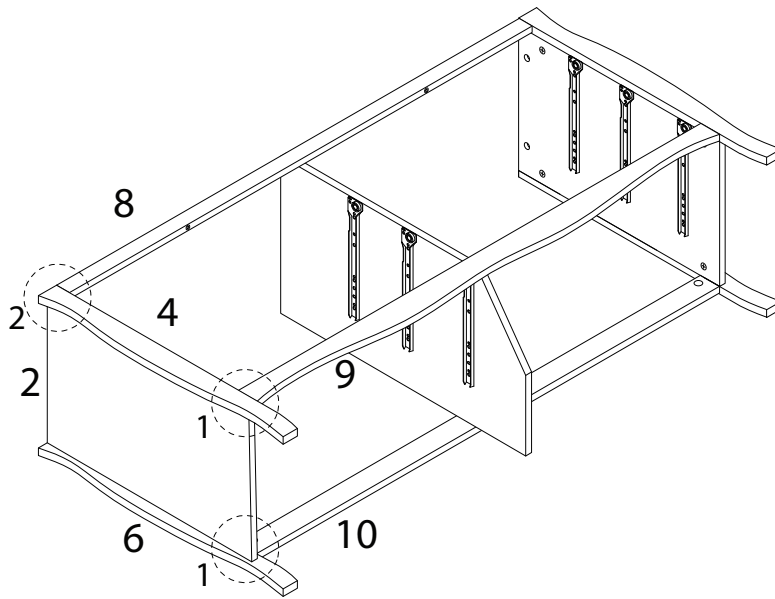
x 2



16



17

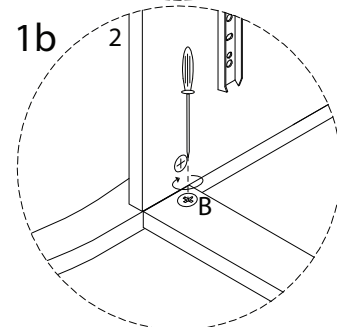
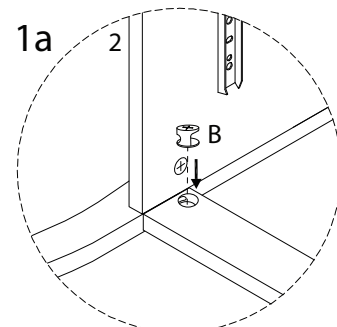
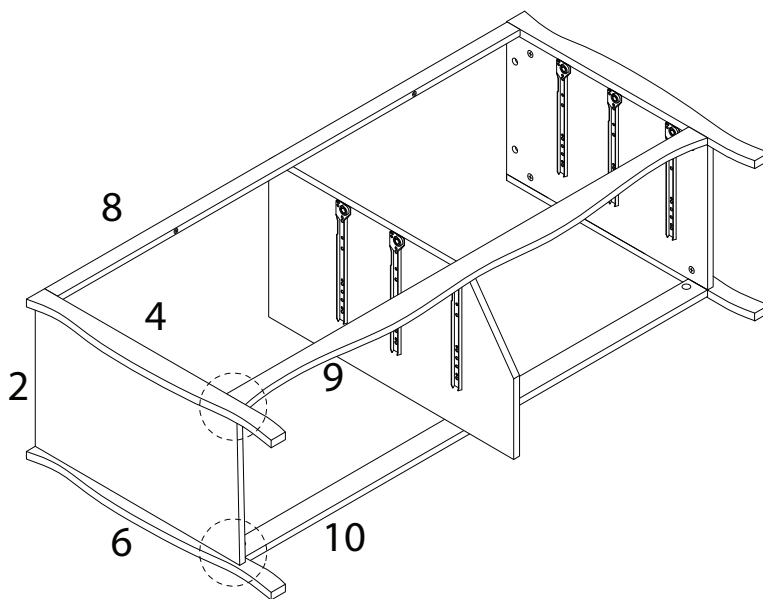


18

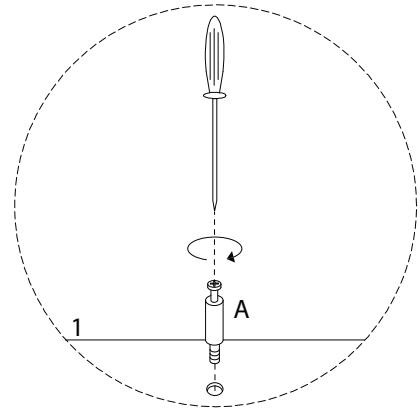
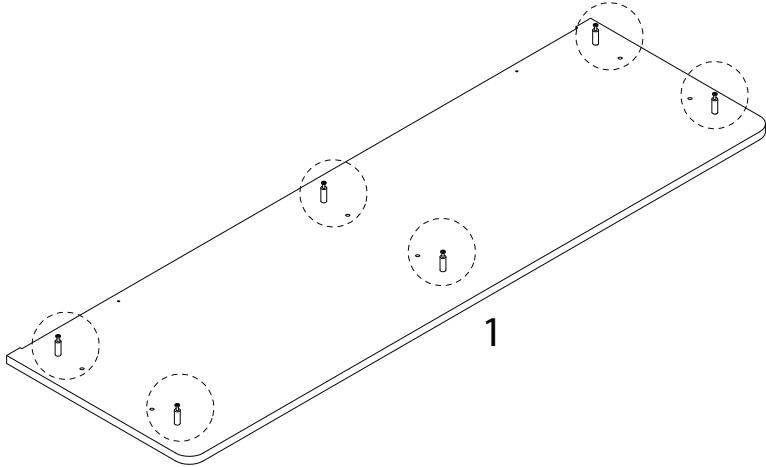
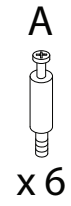
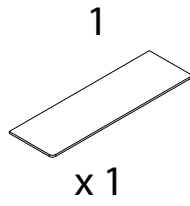
B



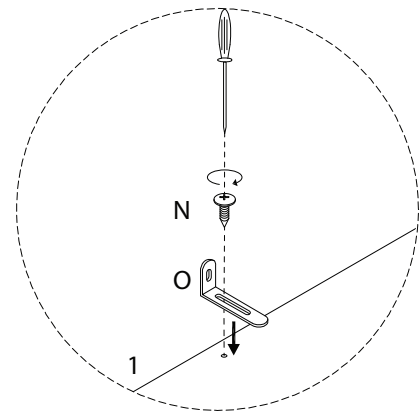
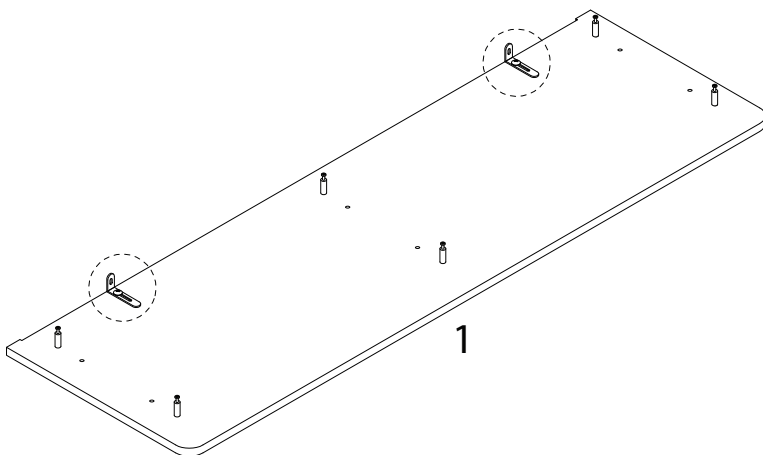
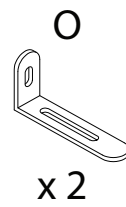
x 2



19



20

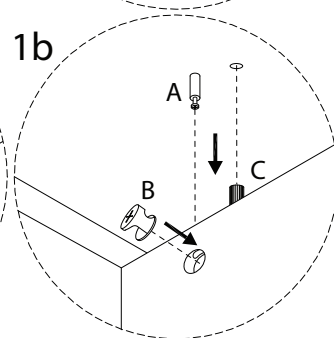
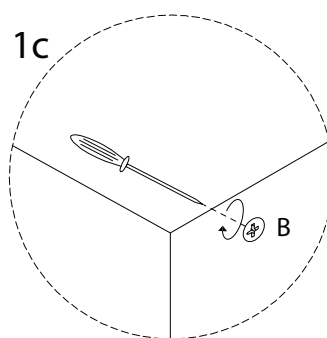
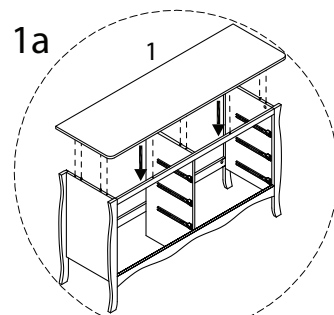
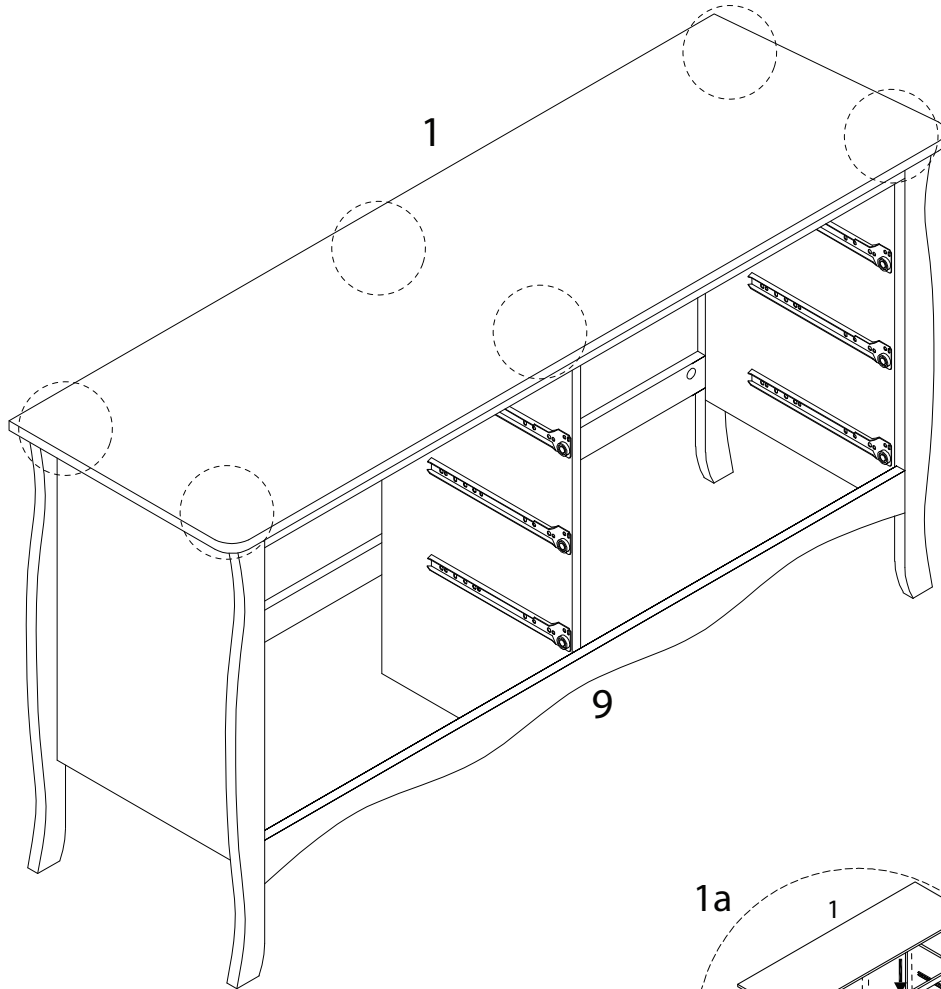


21

B

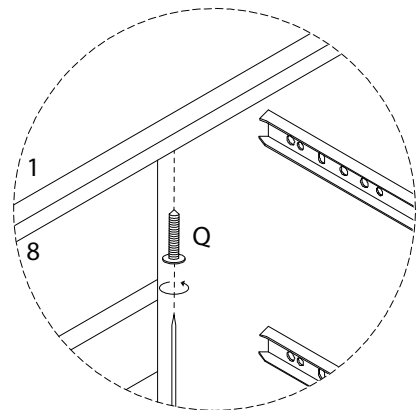
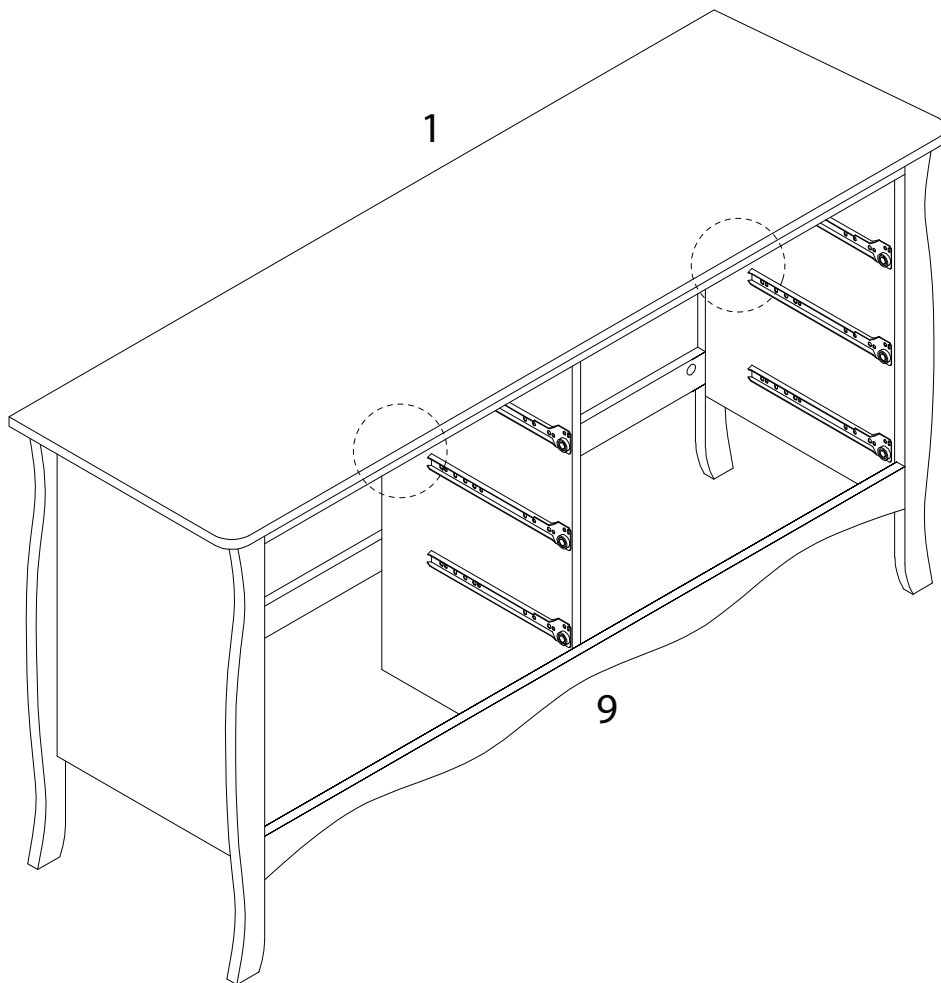


x 6



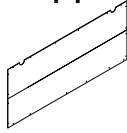
22

Q
M4
x
40
x 2



23

11

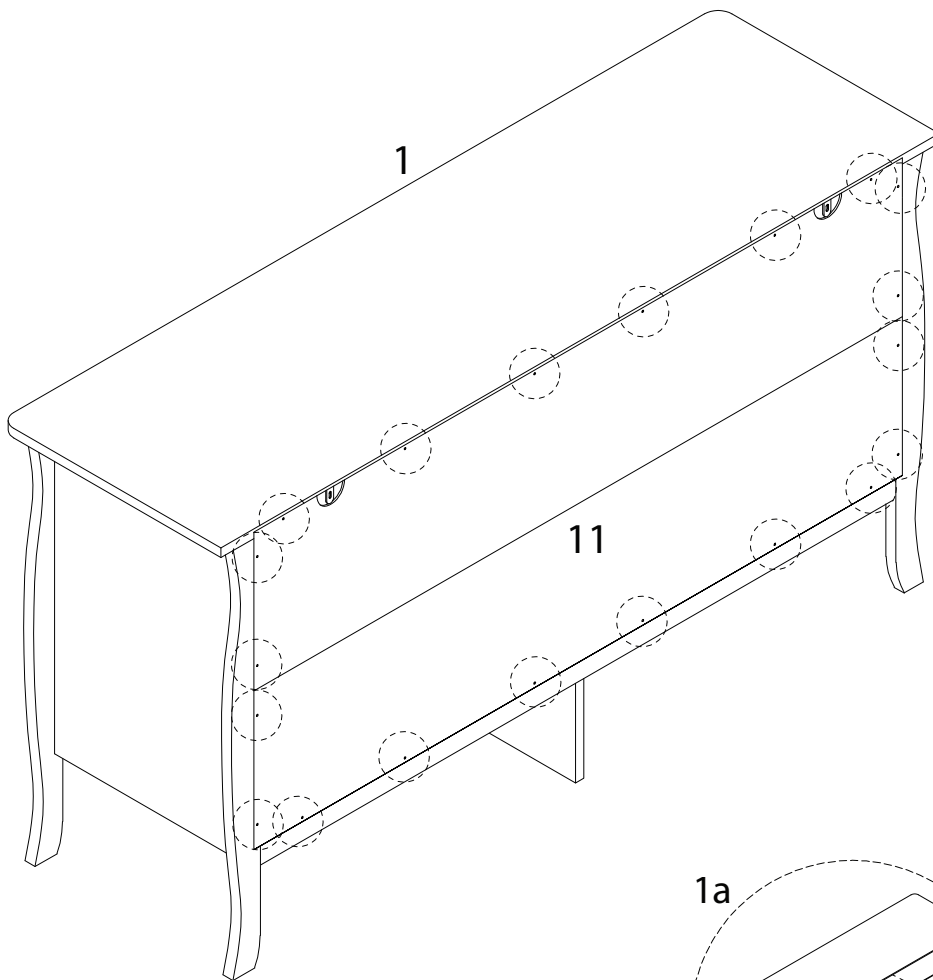


x 1

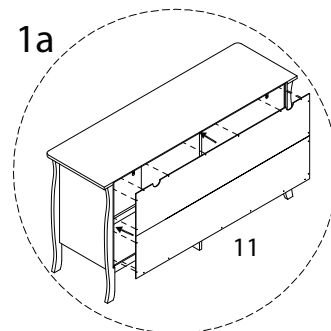
G



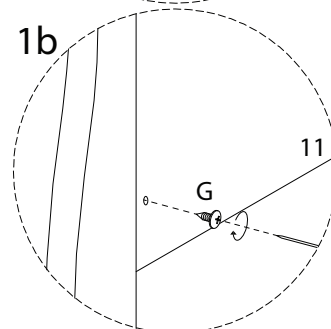
x 20



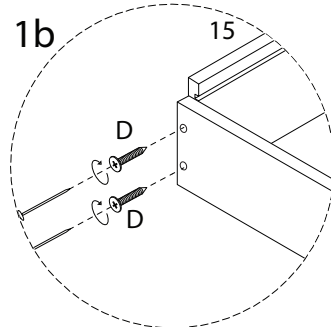
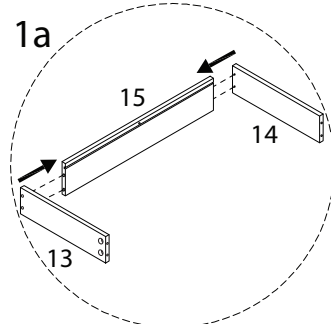
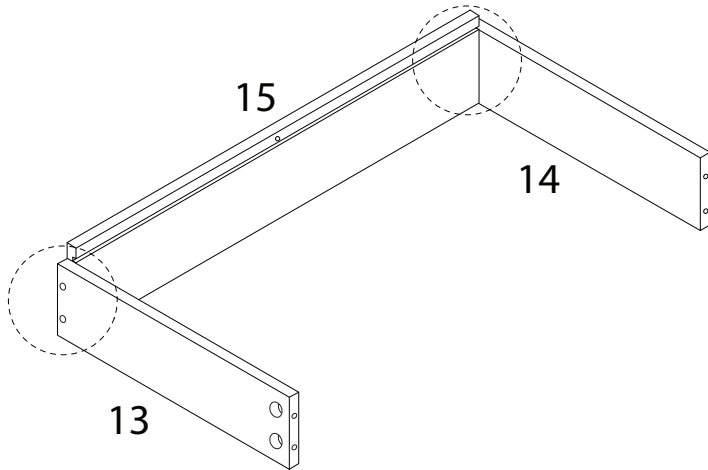
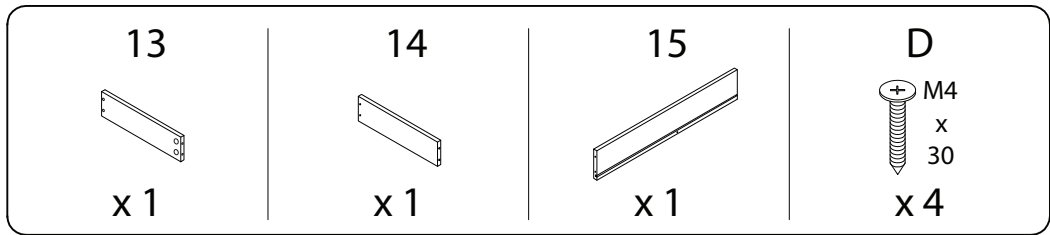
1a



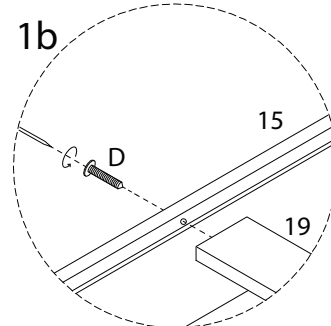
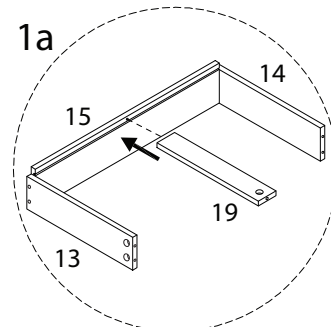
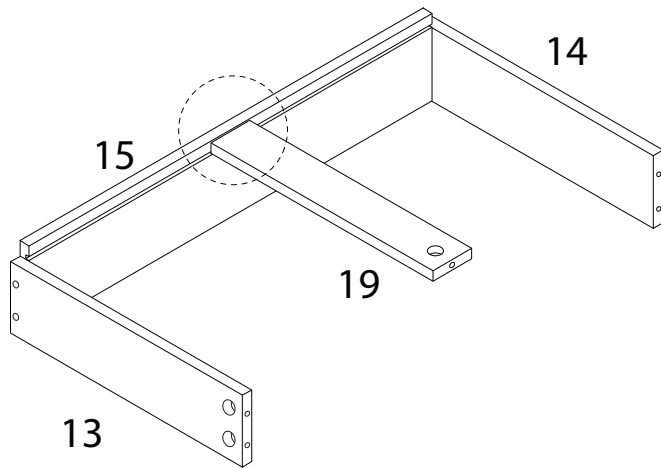
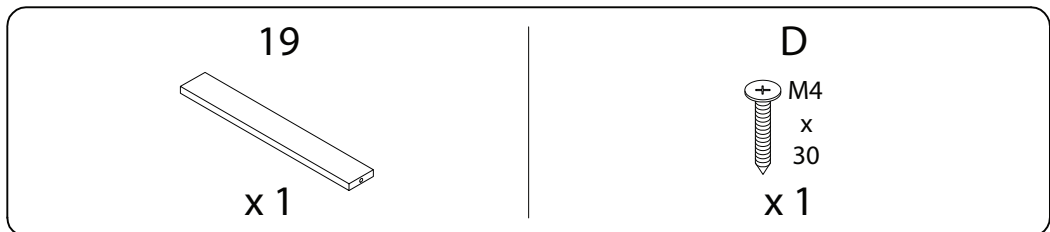
1b



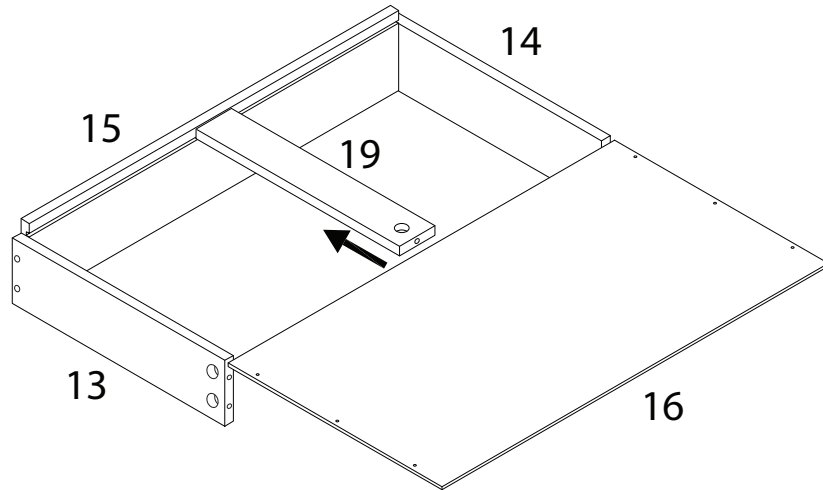
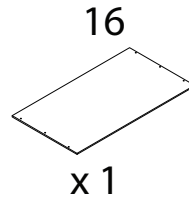
24 x 6



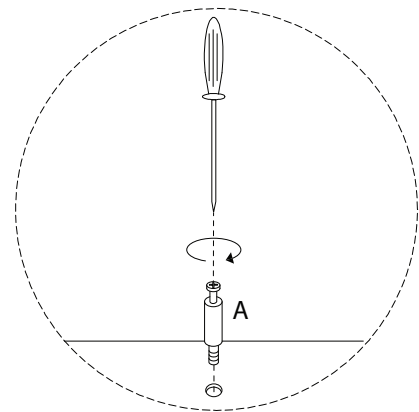
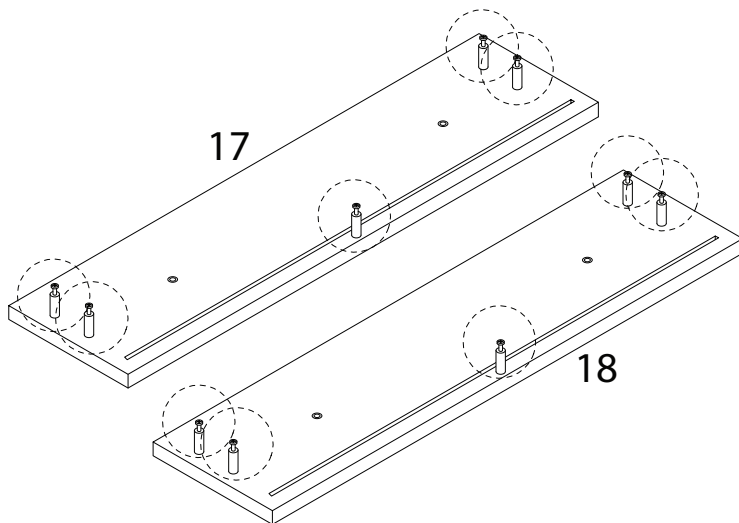
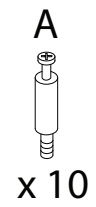
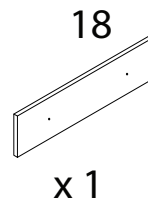
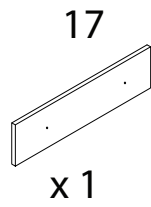
25 x 6



26 x 6



27 x 3



28 x 3

E

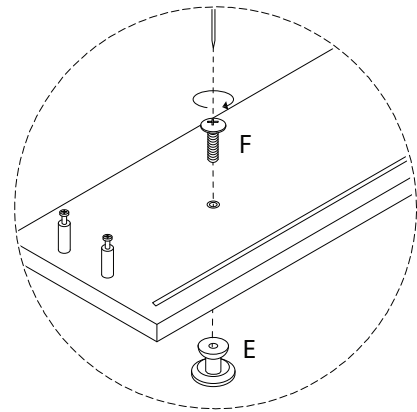
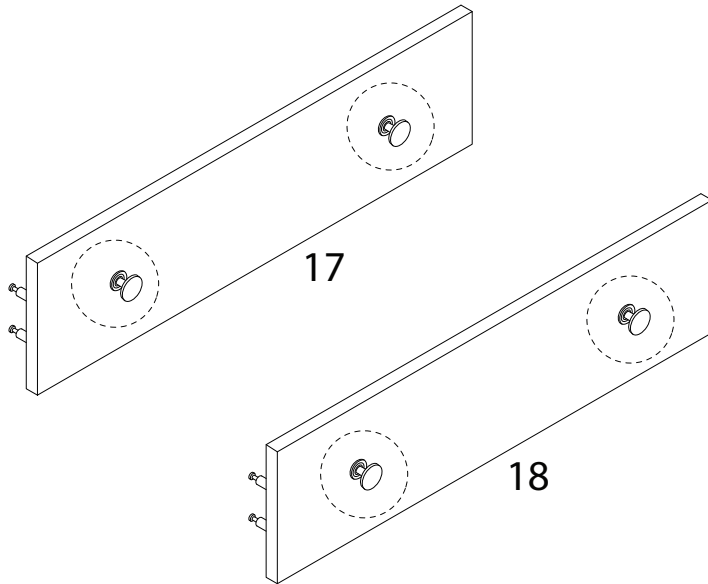


x 4

F



x 4

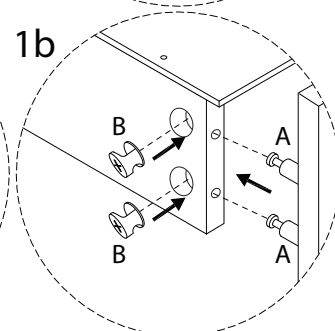
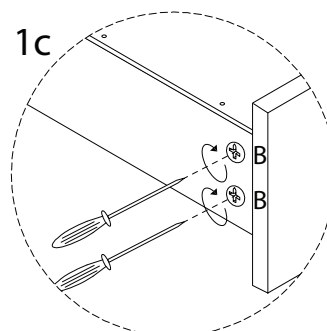
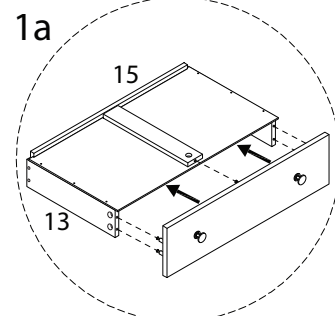
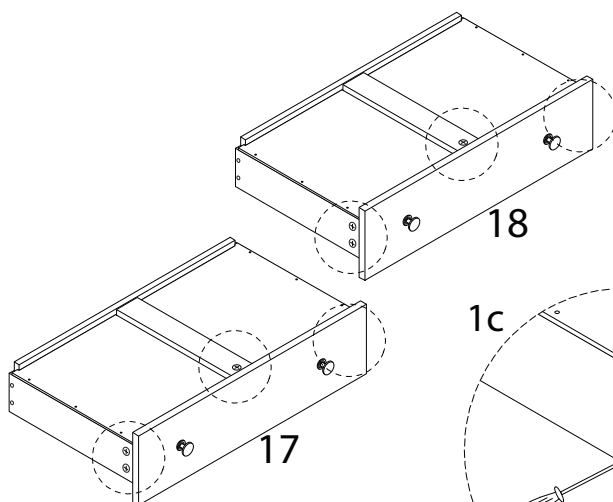


29 x 3

B

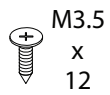


x 10



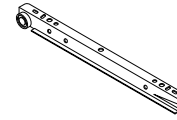
30 x 3

H

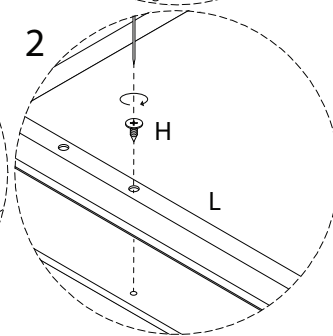
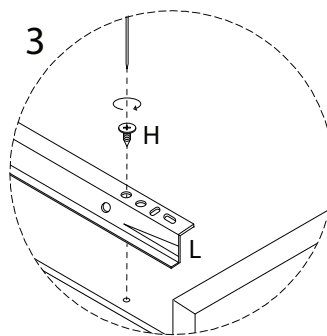
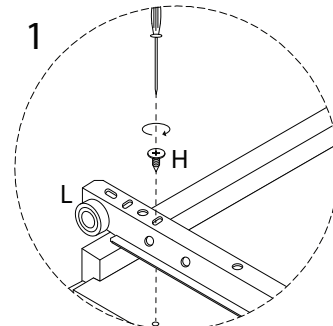
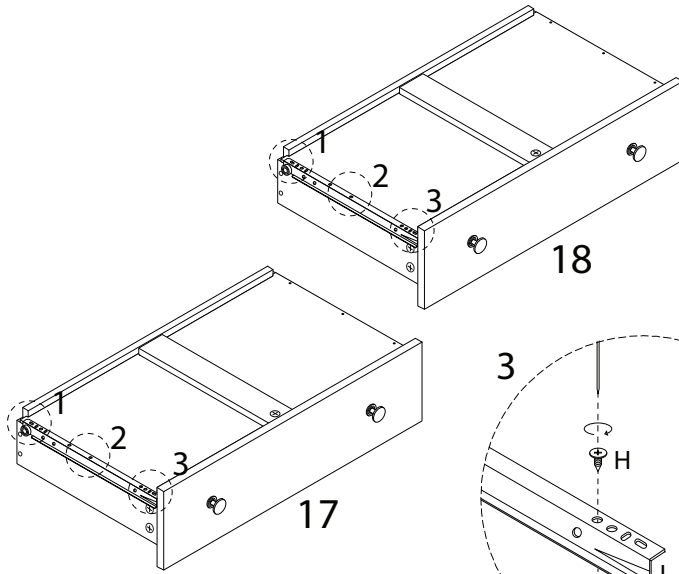


x 6

L

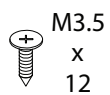


x 2



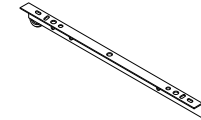
31 x 3

H

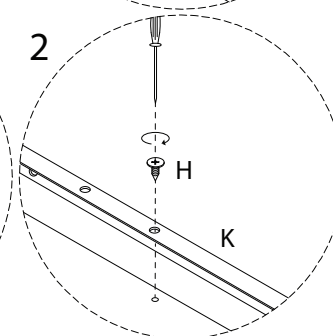
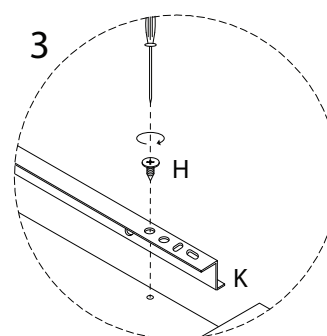
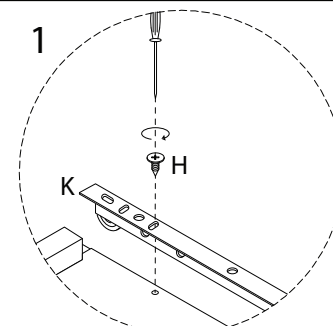
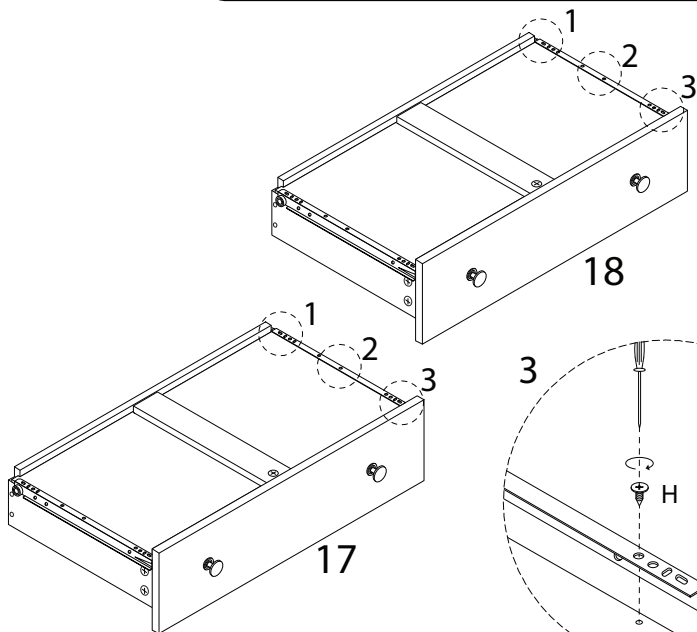


x 6

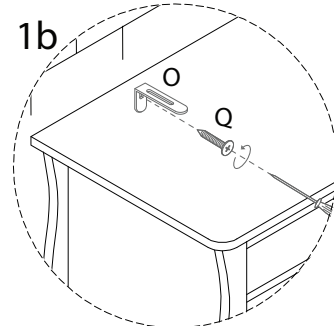
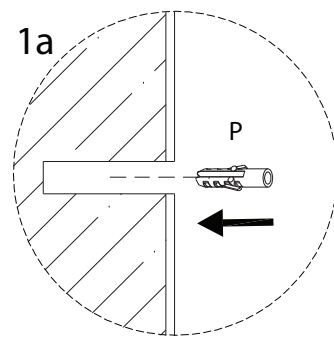
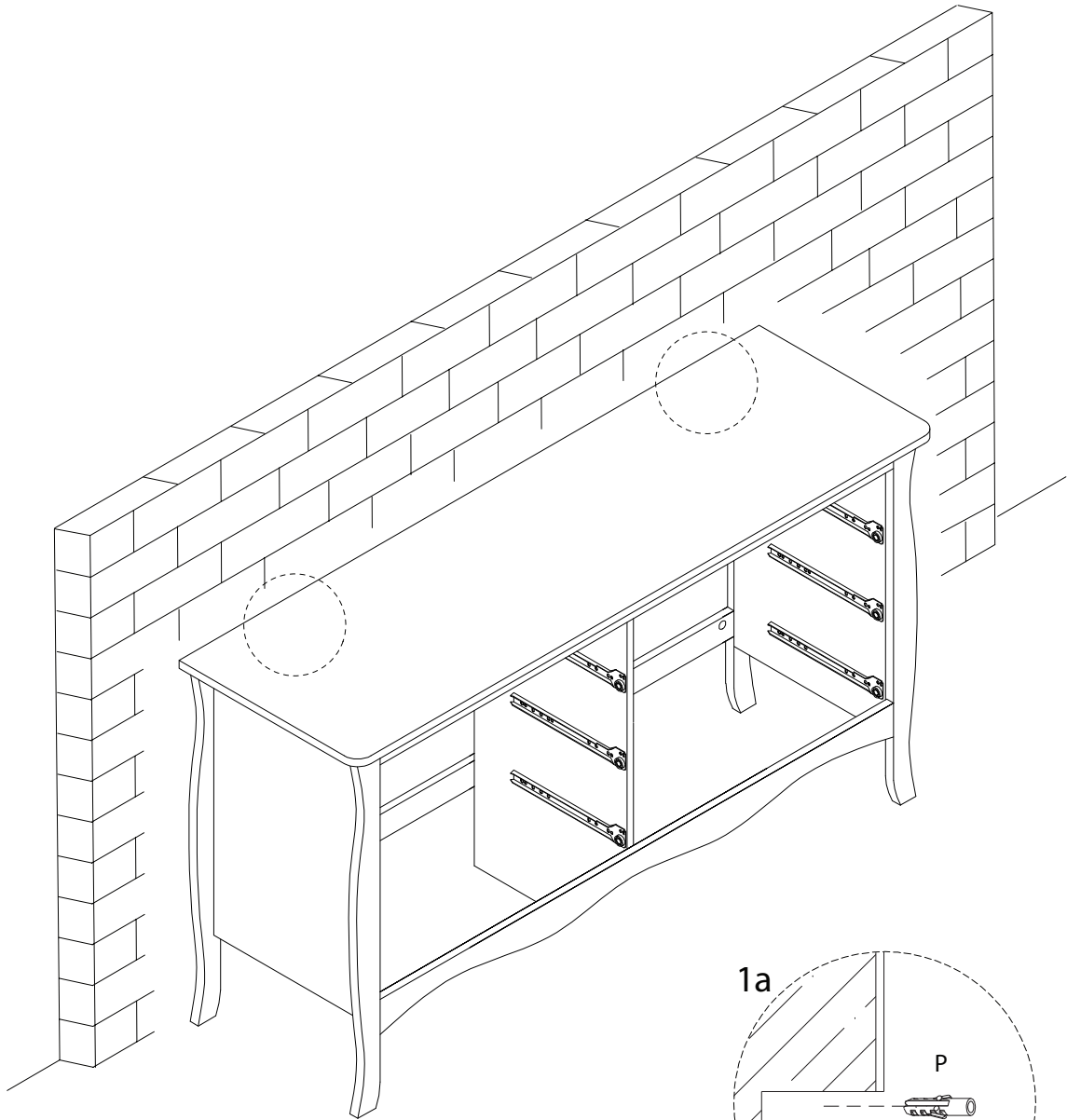
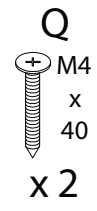
K



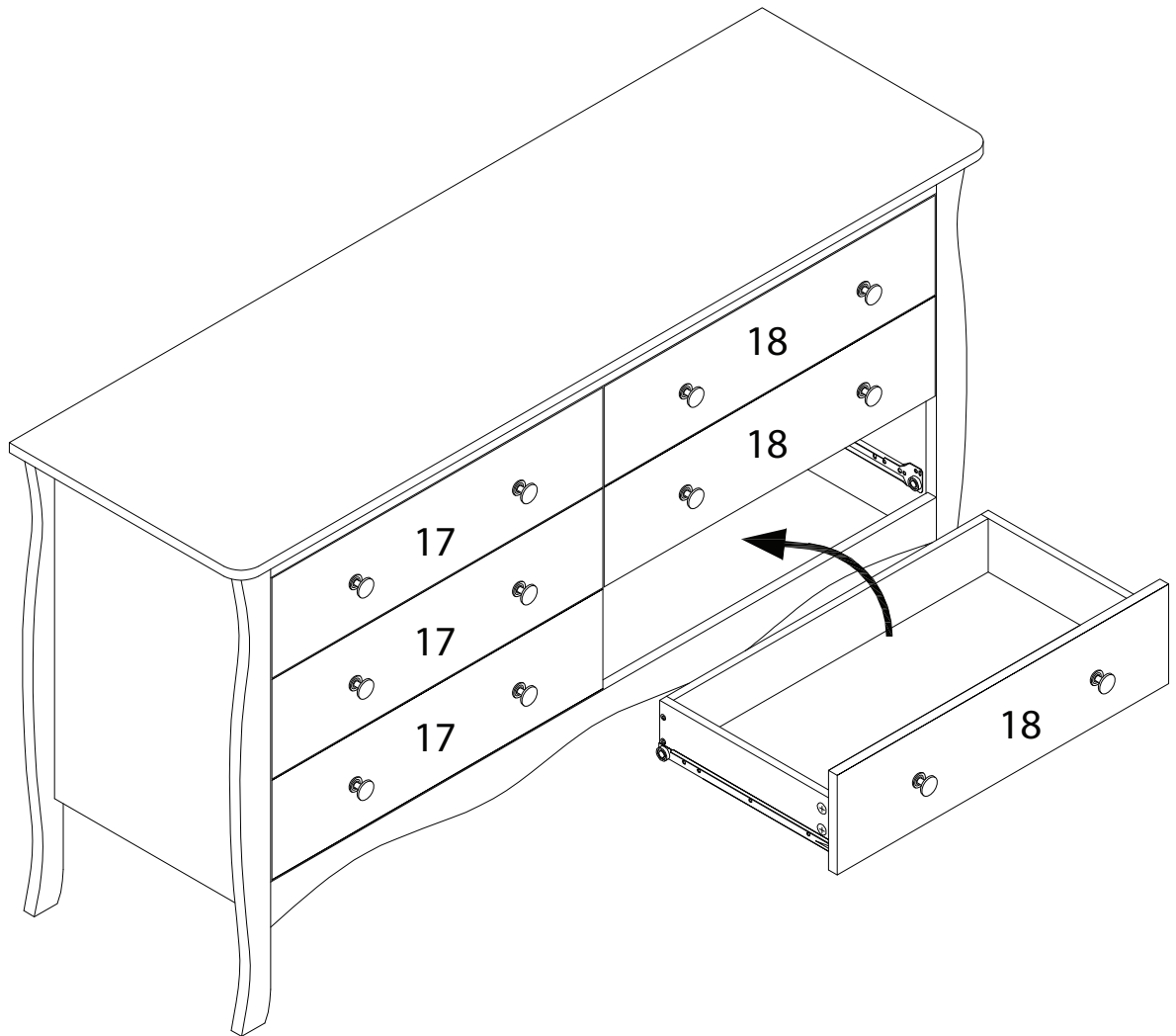
x 2



32



33



!

