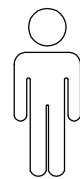
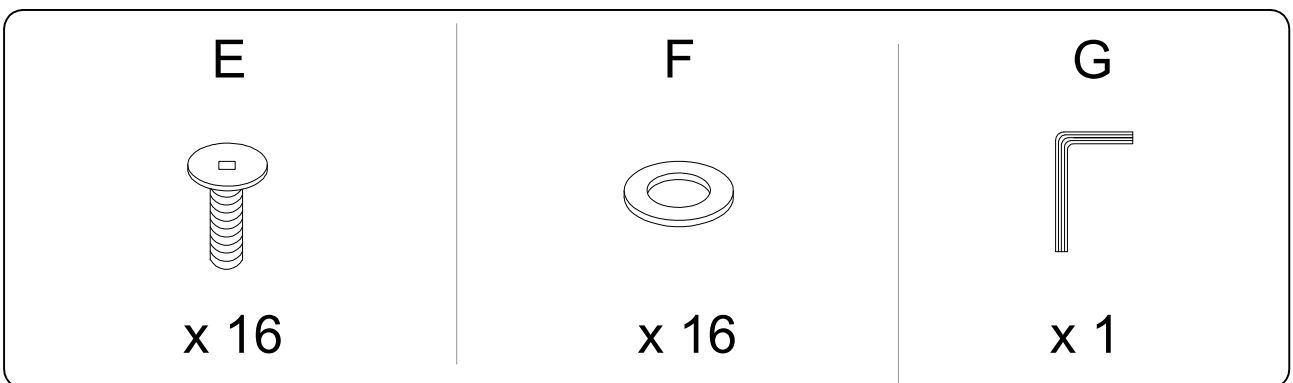
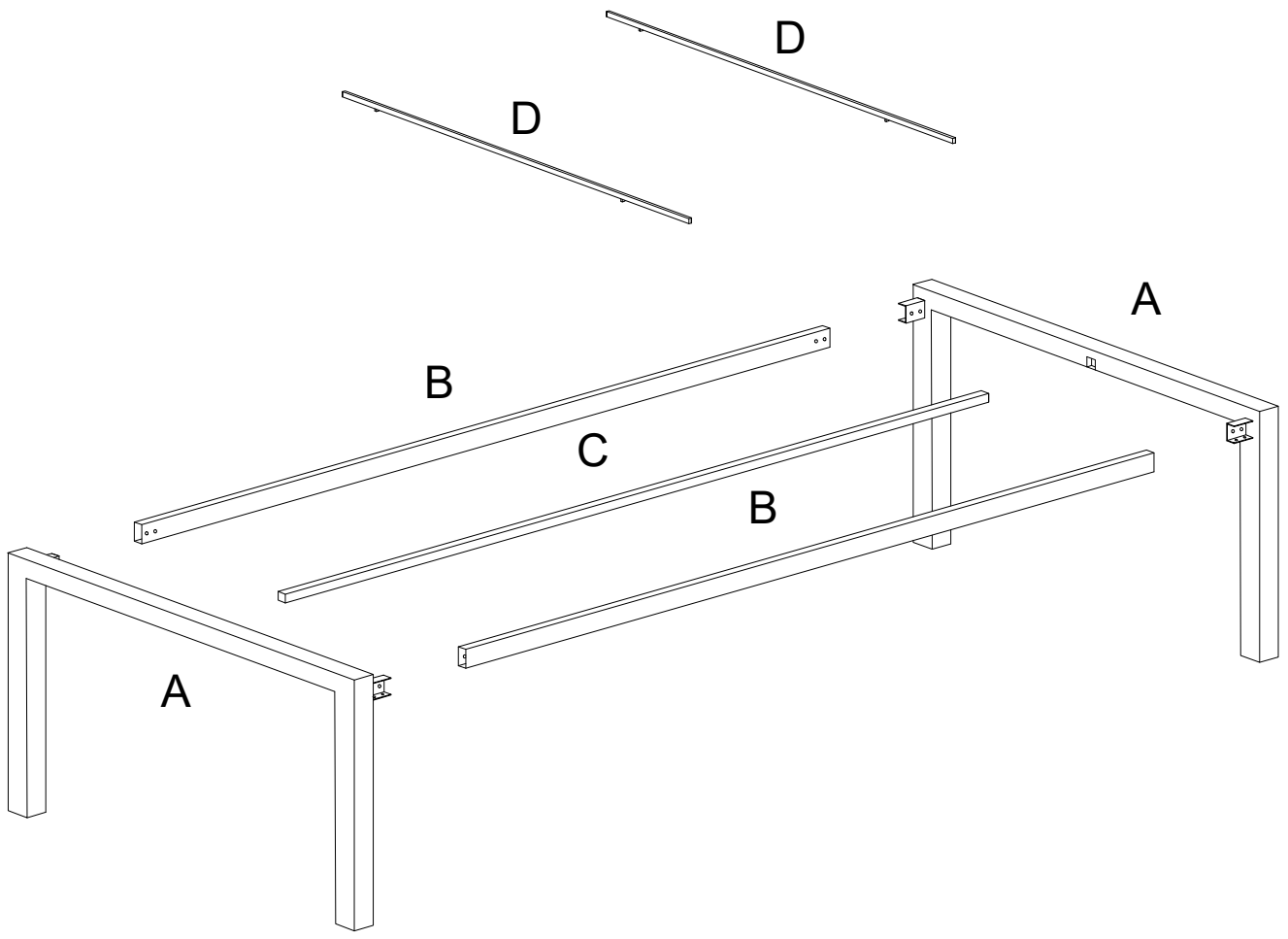
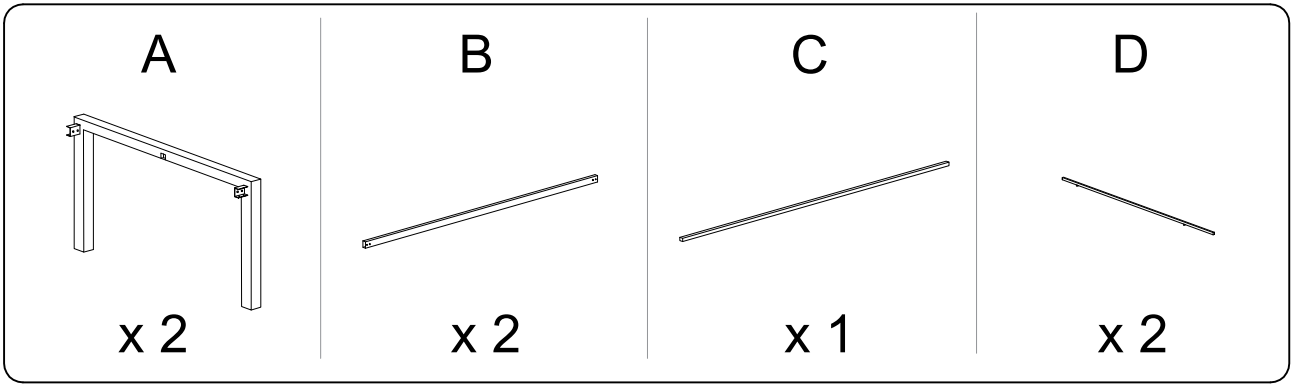


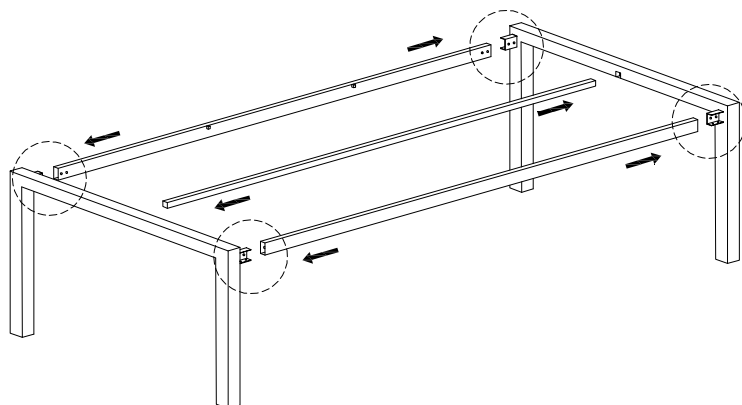
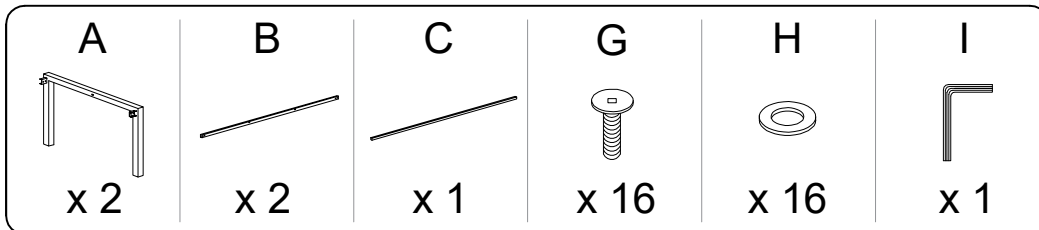
15'



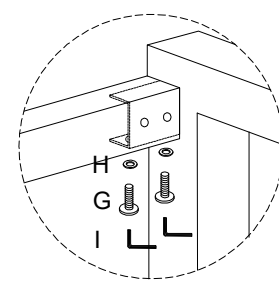
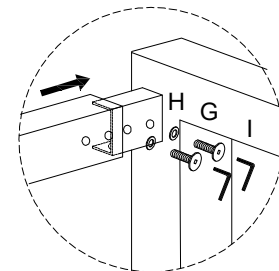
2



1



L ⊕ 100%



2

