

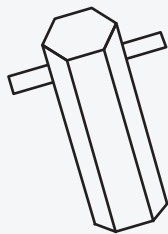
Thank you for your purchase! It is our desire to make your entire experience from purchase to installation as easy as possible. We ask that you read each step of this installation manual thoroughly to ensure proper installation of your new The Diamond Elegant Design Coffee Table. These installation instructions are very important. Installing your table in any manner other than the steps outlined in this manual may lead to structural failure of your table.



CAUTION

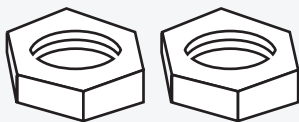
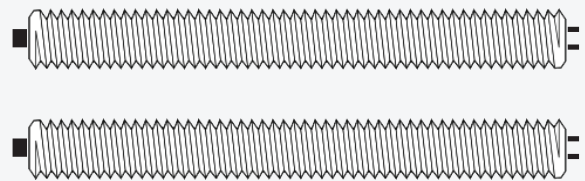
It is your responsibility to make sure your Glass Table is properly assembled, installed, and cared for. Failure to follow instructions in this manual could result in serious injury. Use this product with cautions as it is made from Glass.

HARDWARE INCLUDED PER YOUR ORDER

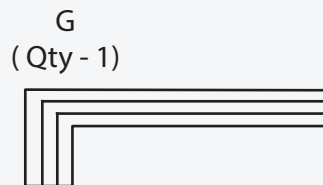


Tighten Key
(Qty - 1)

Screw Rod
(Qty - 2)

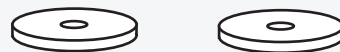


Nut
(Qty - 2)

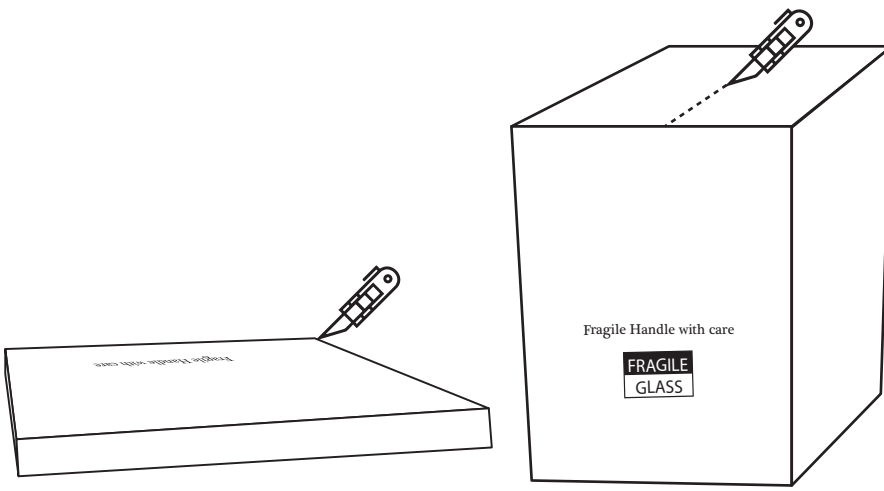


G
(Qty - 1)

Washer (Qty - 2)

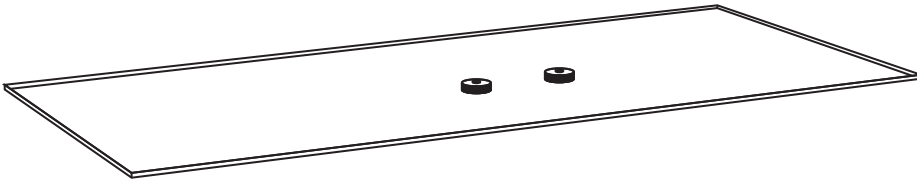


1



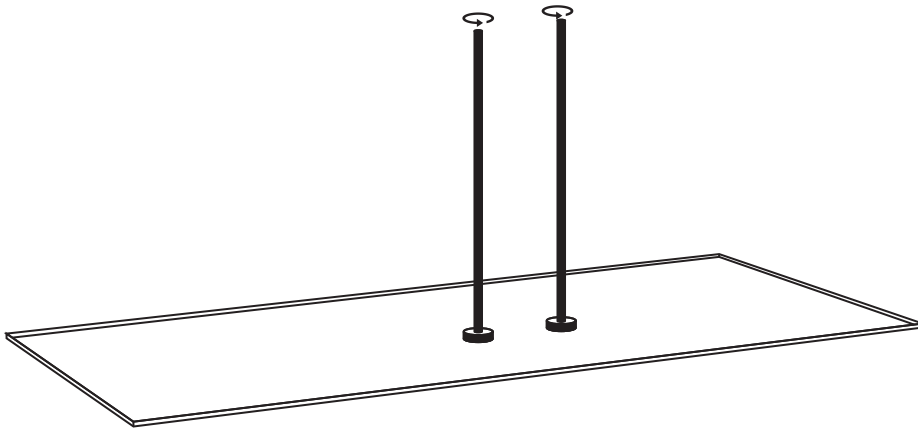
Take your Coffee table out of the packaging.

2



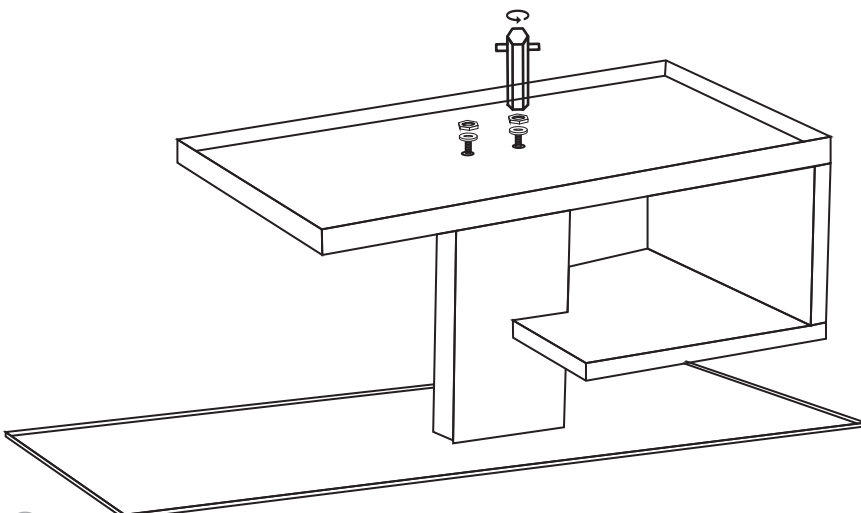
Place your glass table top upside down in a way that you can see its screw holes on top.

3

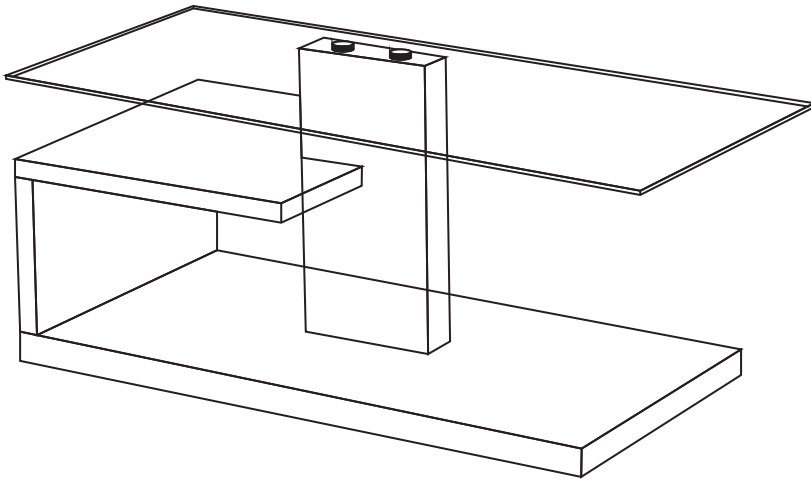


Next, tighten the rods manually.

4



Fix the table base then tighten the washers and nuts on the rods by using the tightening key.



Congratulations!
your table is ready for use!