

## WARRANTY

- 1.We strive to offer high-quality products,and we also try our best to satisfy each and every customer that orders from us with product or service as needed.
- 2.We provide 30 days warranty starting from the time you receive the item.Each customer must provide a record of their order such as the order number,or item receipt for any items that are out of the warranty period you may also still receive.
- 3.Replacement parts by purchasing them with our company if they are available.

Are you having difficulty  
With assembly?Missing parts?  
Please send email with your order No to  
[customerservice@hulalahome.com](mailto:customerservice@hulalahome.com)

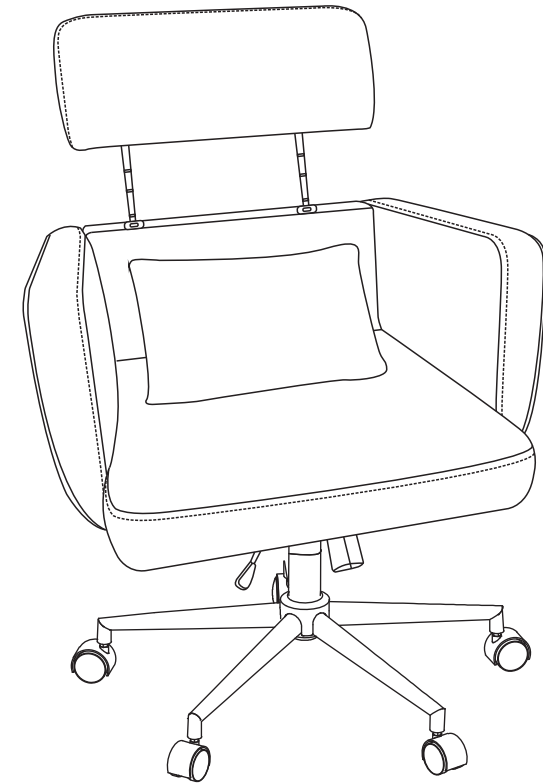
For return,please check the return policy with  
the retailer or market place you bought from.

Appreciate your purchasing from us.  
Pop up your life by our furniture piece!

# HULALA

---

H O M E



**ITEM NO.OFM1234**

---

### NOTE:

This brochure contains IMPORTANT safety info. Please read and keep for future reference.

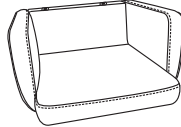
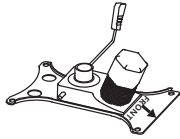
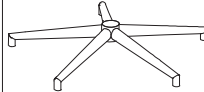



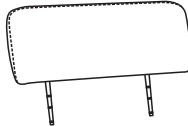

---

## MAINTAINANCE AND WARNING





- 1.Keep furniture away from heat sources.
- 2.Do not clean furniture with harsh cleaner or polishes.Do not use detergents,solvents,abrasives,spray packs or leather cleaner. Use non-color mild soa with warm water to clean spills(Mix 1:10 soap to water).
- 3.Do not place furniture under direct sunlight,material will possibly fade over time.
- 4.Do not use on site dry cleaning machine.Children should not climb or jump on the furniture.
- 5.Do not write on furniture that is not protectedby a padded barrier.
- 6.Not for commercial use,only for residential use.






## PARTS LIST

A	x1	B	x1	C	x1	D	x1
							
Seat Frame		Mechanism		Spider base		Metal base cap	
E	x5	F	x1	G	x1	H	x1
							
Casters		Gas lift		Head Pillow		Throw pillows	

## HARDWARE LIST

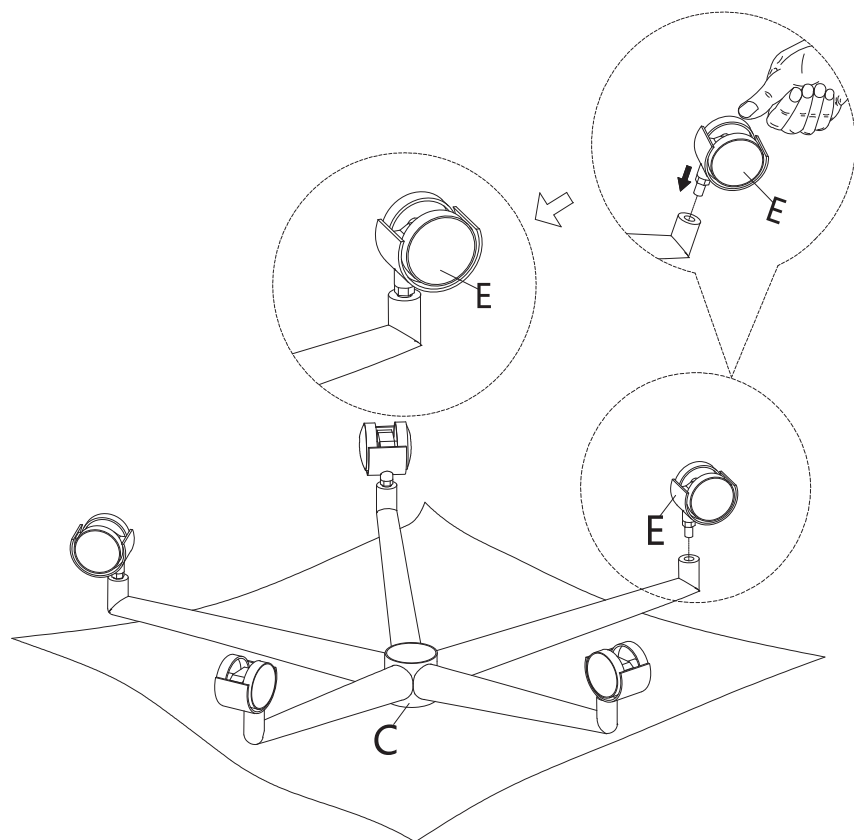
#1	x4	#2	x1	#3	x4	#4	x4
							
Ø6x20mm		M6		Flat washer		Spring washer	

## HARDWARE SPARE LIST

#1	x1	#3	x1	#4	x1
					
Ø6x20mm		Flat washer		Spring washer	

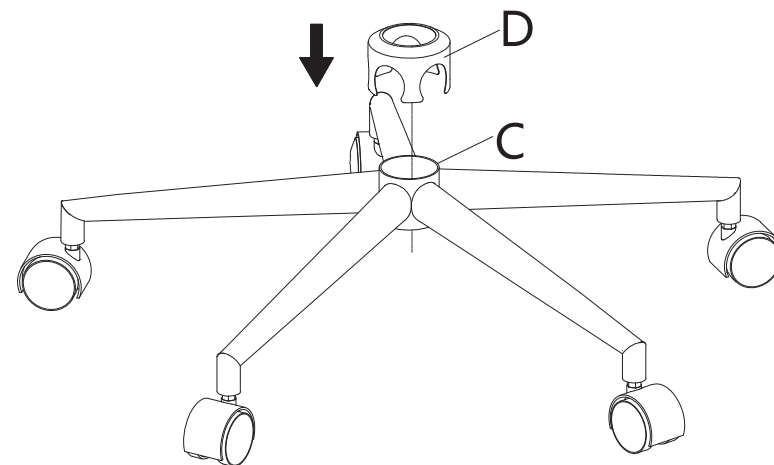
## ASSEMBLY INSTRUCTIONS

### STEP-1



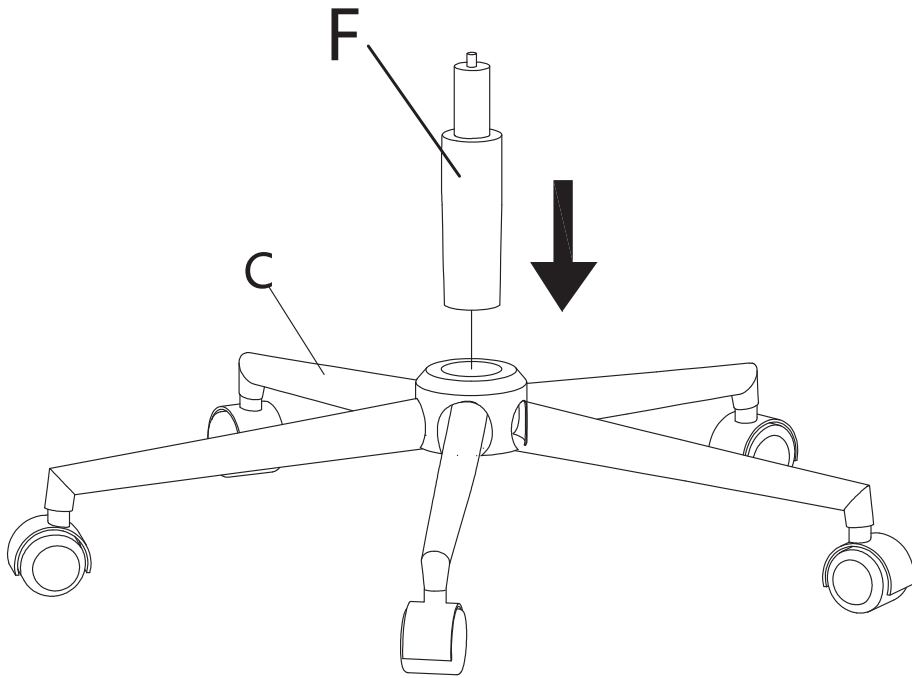
## ASSEMBLY INSTRUCTIONS

### STEP-2



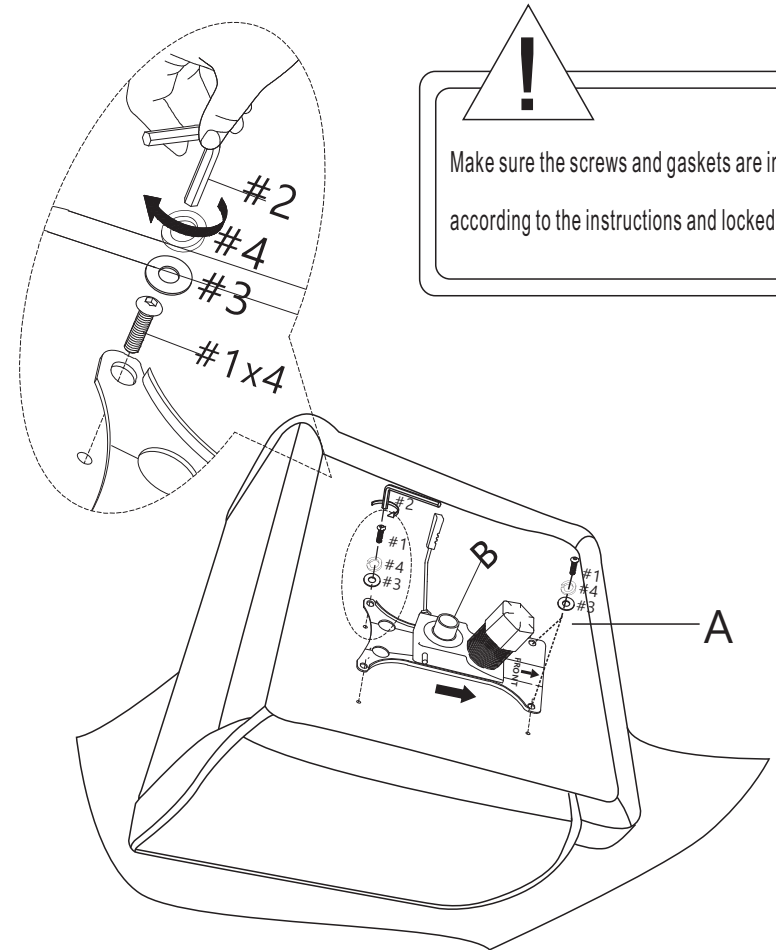
# ASSEMBLY INSTRUCTIONS

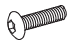
## STEP-3





# ASSEMBLY INSTRUCTIONS


## STEP-4



#1	x4
	
ø6x20mm	

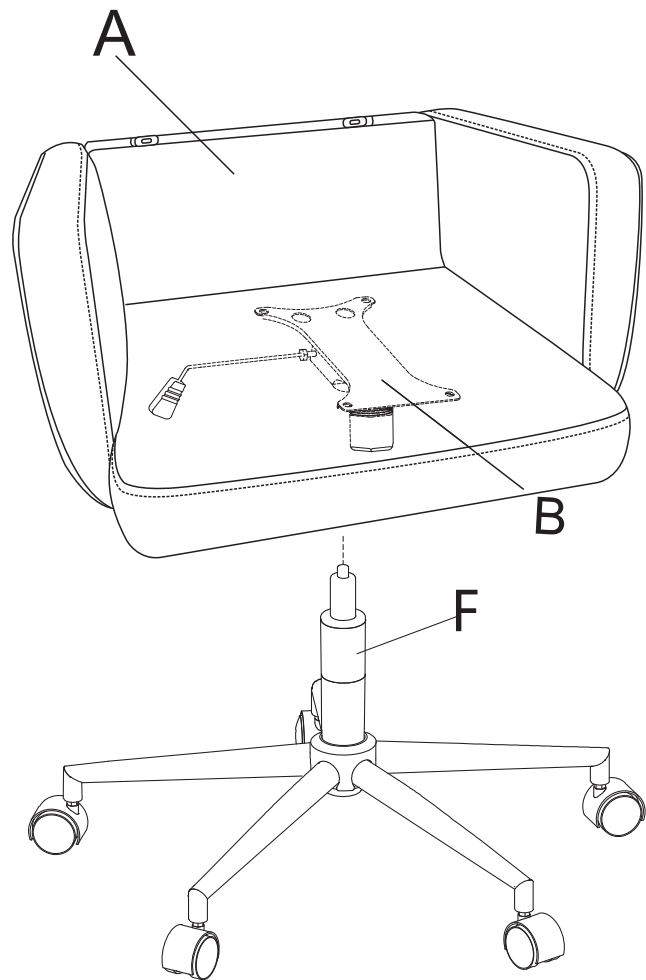
#2	x1
	
M6	

#3	x4
	
Flat washer	

#4	x4
	
Spring washer	

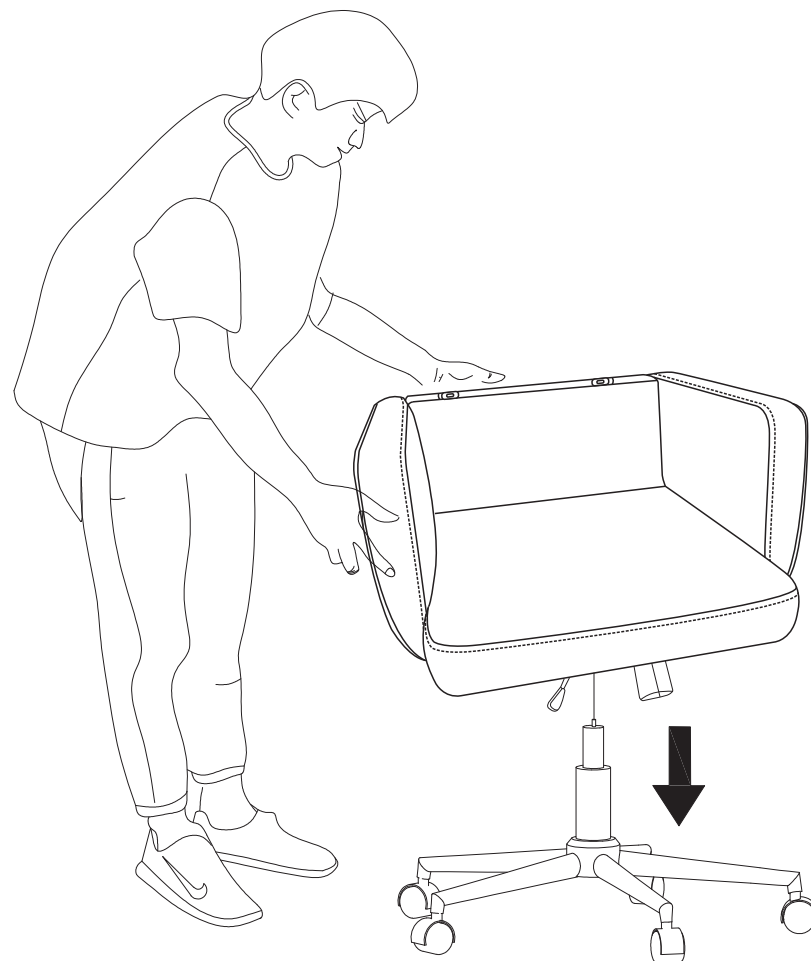
## ASSEMBLY INSTRUCTIONS

### STEP-5



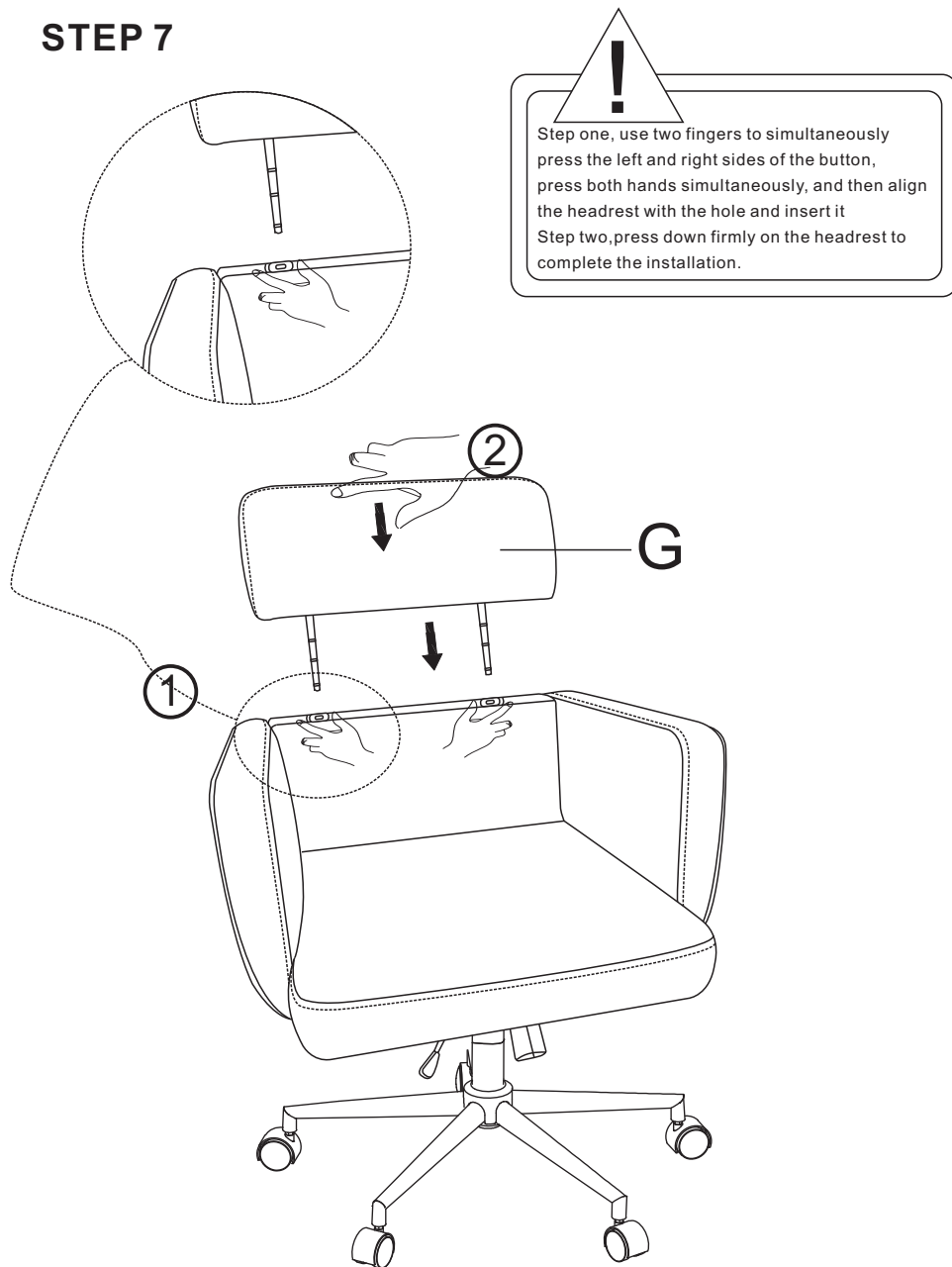
## ASSEMBLY INSTRUCTIONS

### STEP-6



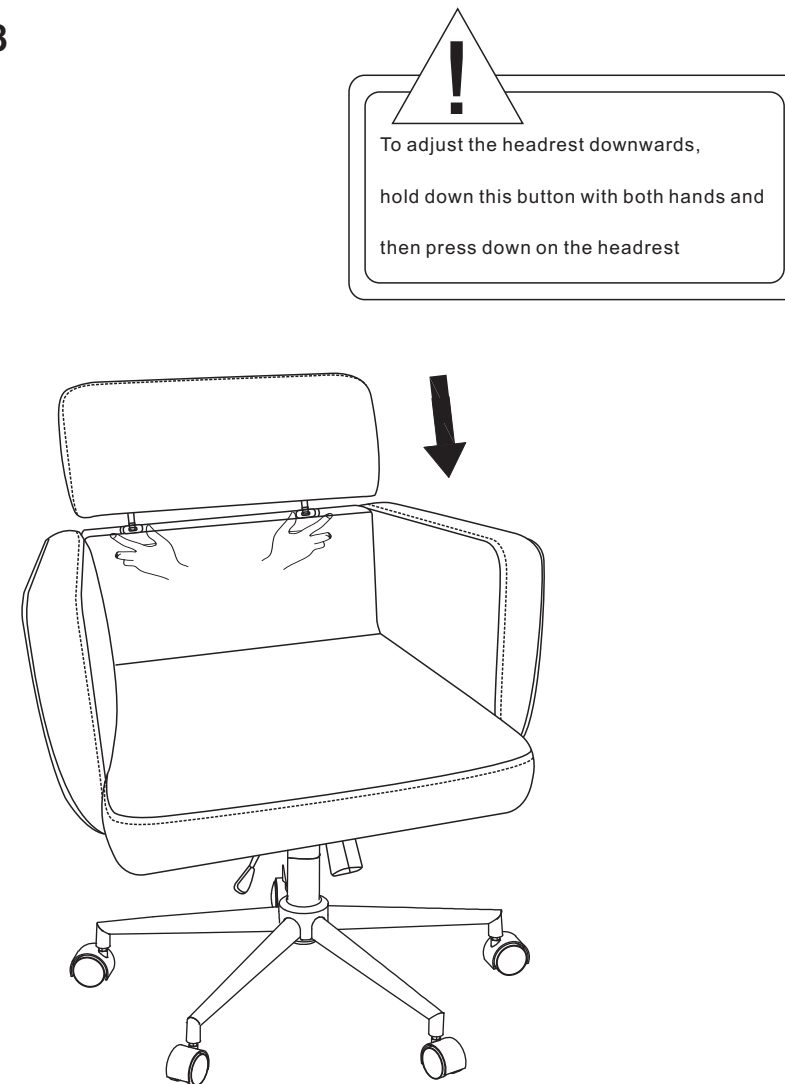
## ASSEMBLY INSTRUCTIONS

### STEP 7



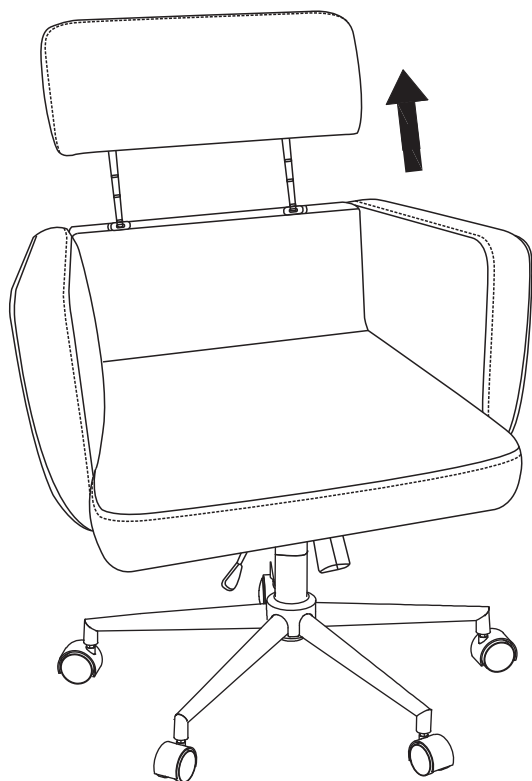
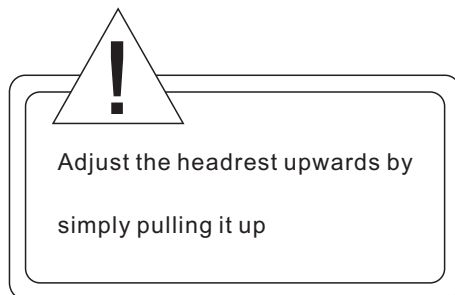
## ASSEMBLY INSTRUCTIONS

### STEP 8



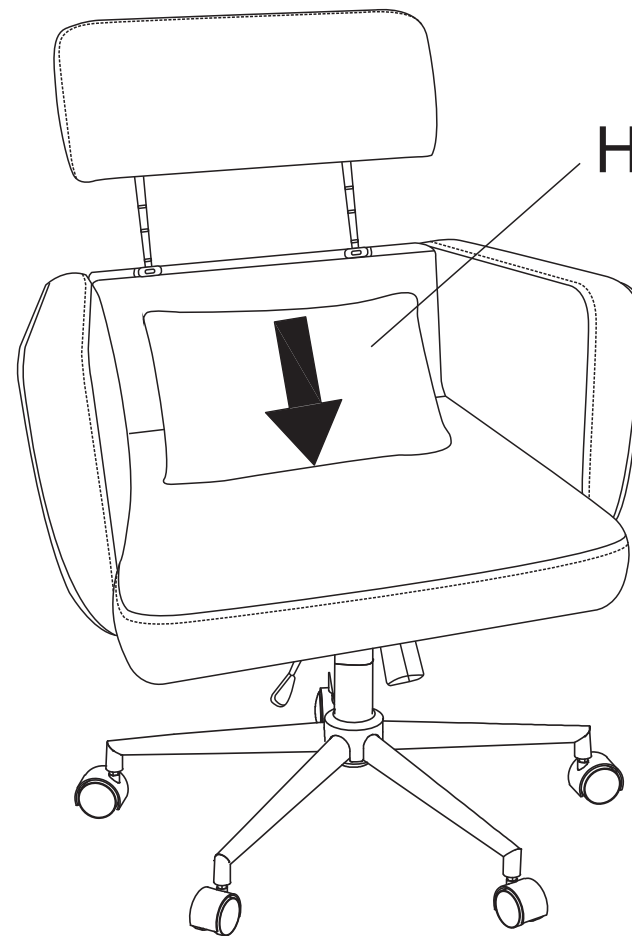
## ASSEMBLY INSTRUCTIONS

### STEP 9



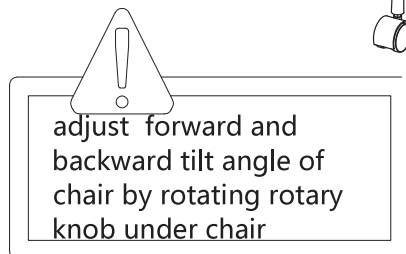
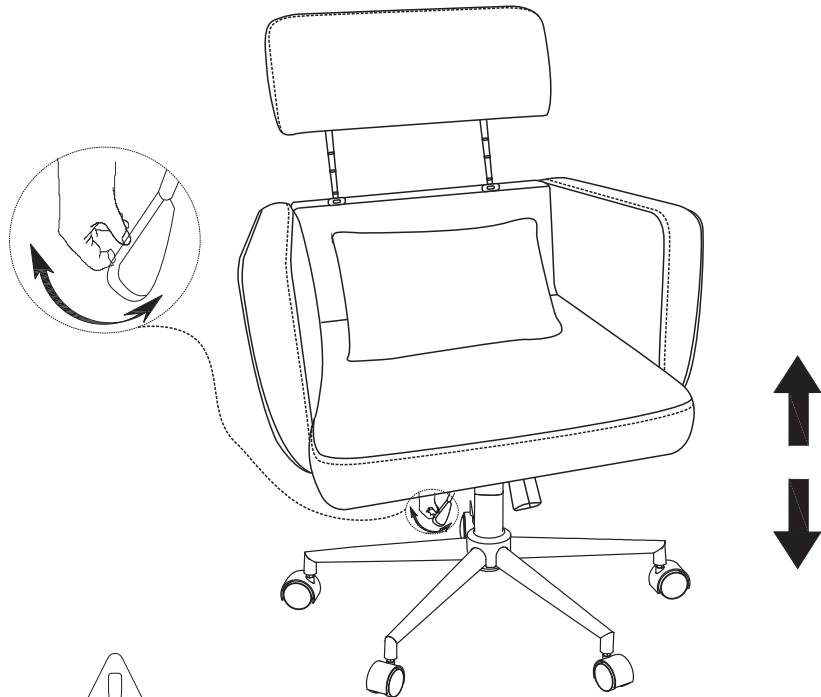
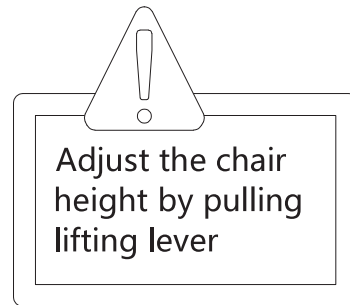
## ASSEMBLY INSTRUCTIONS

### STEP 10



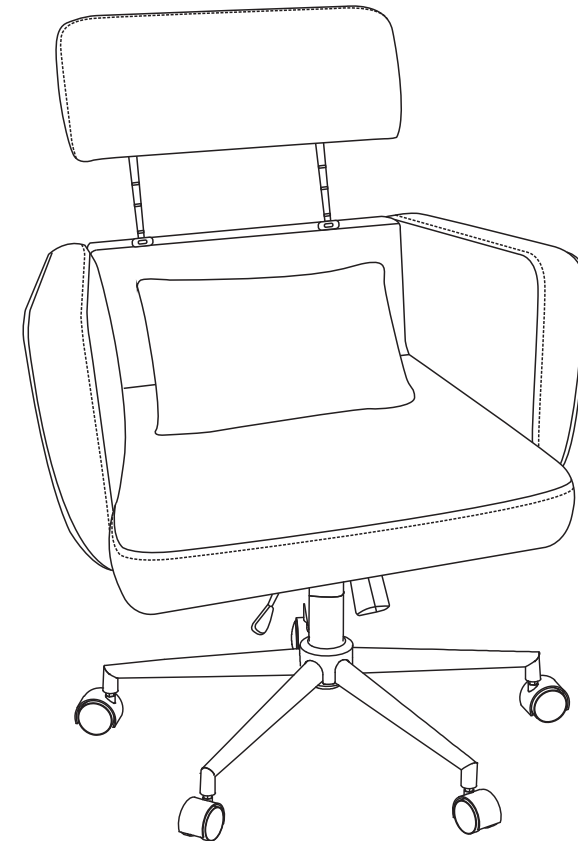
## ASSEMBLY INSTRUCTIONS

### STEP 11



## ASSEMBLY INSTRUCTIONS

### STEP-12



Assembly completed.