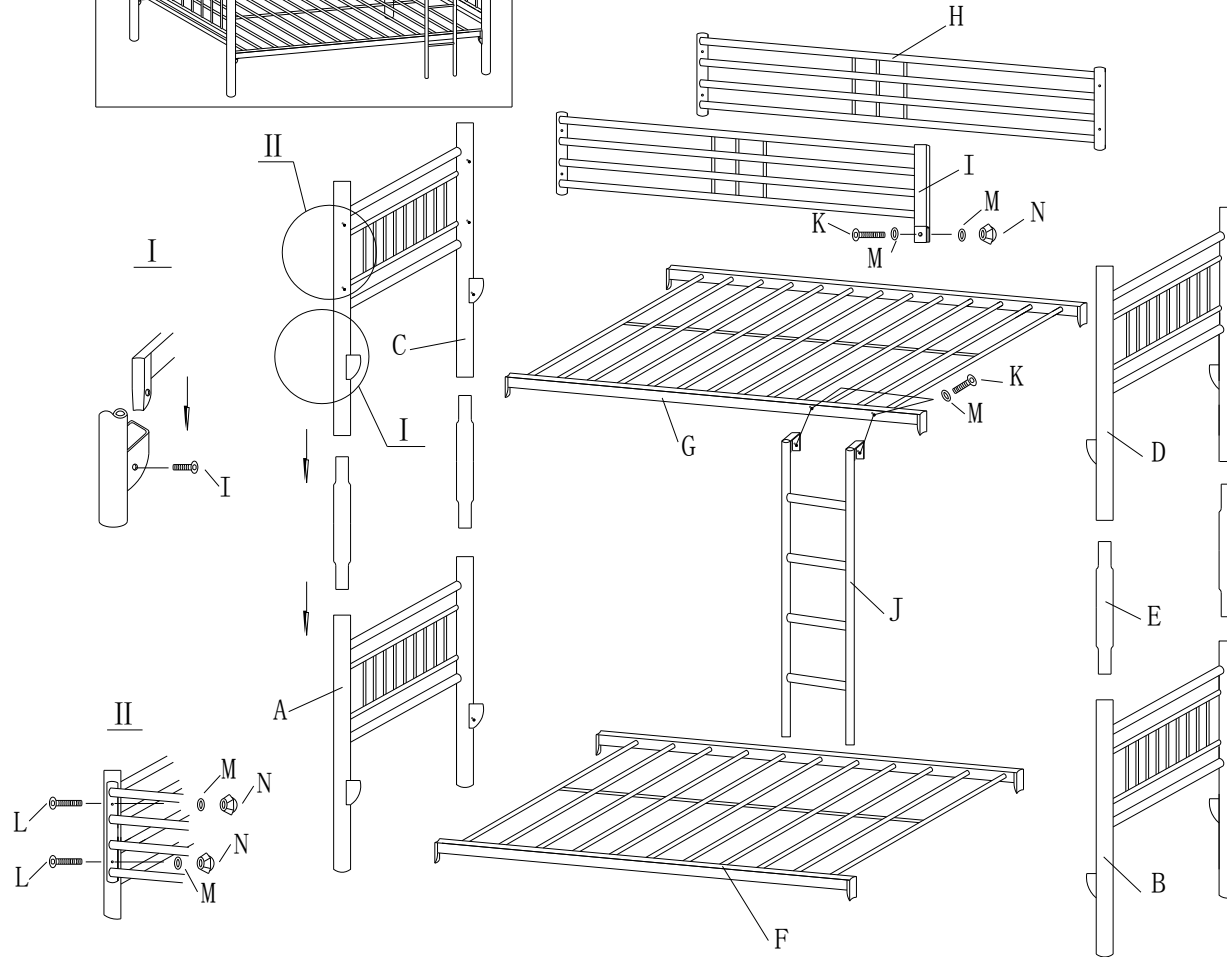


TWIN/TWIN BUNK BED



PARTS & HARDWARES LIST

A		LEFT BOTTOM SIDE FRAME	1PC
B		RIGHT BOTTOM SIDE FRAME	1PC
C		LEFT TOP SIDE FRAME	1PC
D		RIGHT TOP SIDE FRAME	1PC
E		JOINED PIPE	4PCS
F		BOTTOM BUNK SUPPORT	1PC
G		TOP BUNK SUPPORT	1PC
H		GUARD RAIL	1PC
I		FRONT GUARD RAIL	1PC
J		BUNK LADDER	1PC
K		5/16" × 40mm	3PCS
L		5/16" × 60mm	6PCS
M			10PCS
N		5/16"	7PCS
O		1/4" × 12mm	8PCS
Q			2PCS
R			1PC
S		PIPE SPIGOT	8PCS

Assembly Instructions