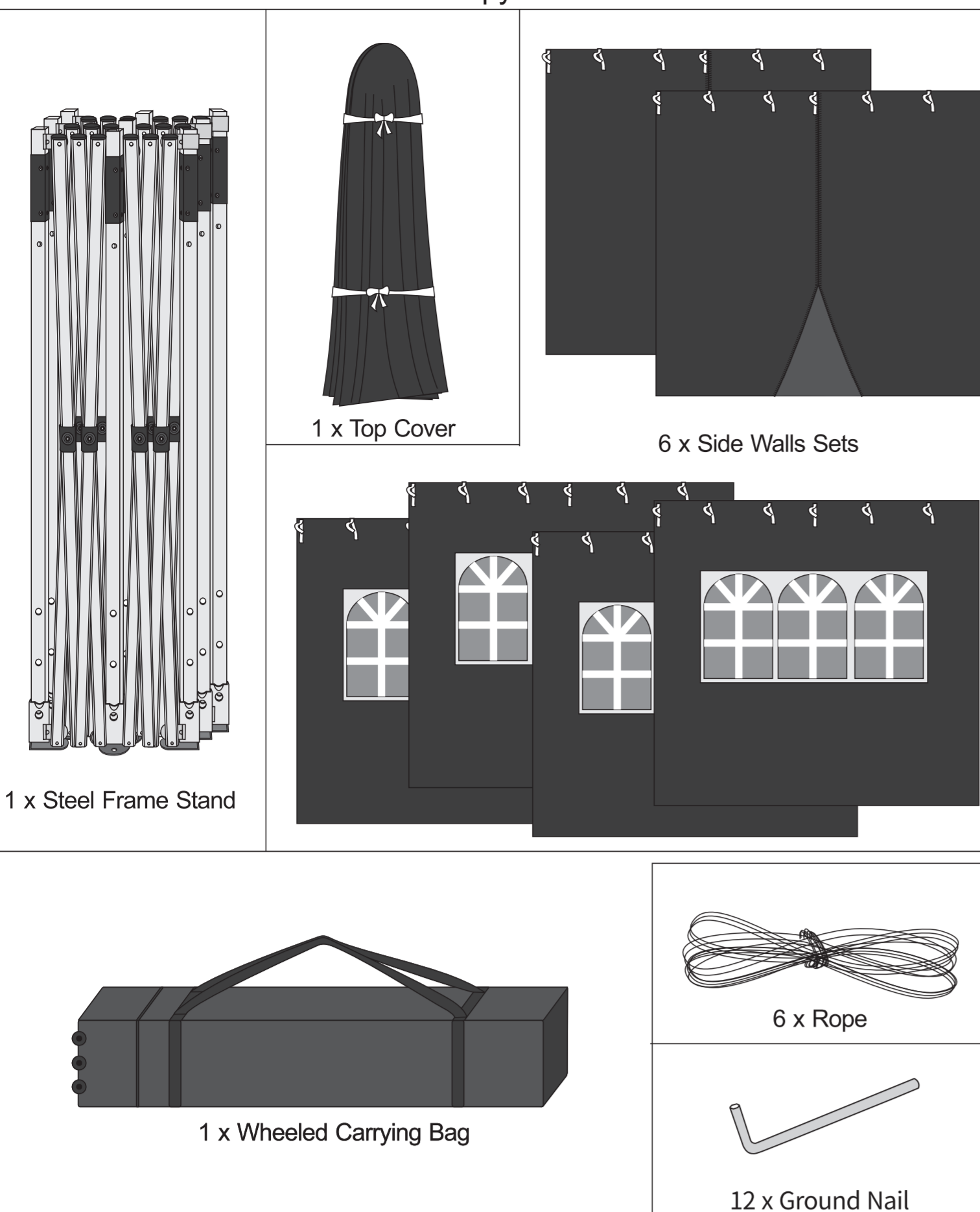
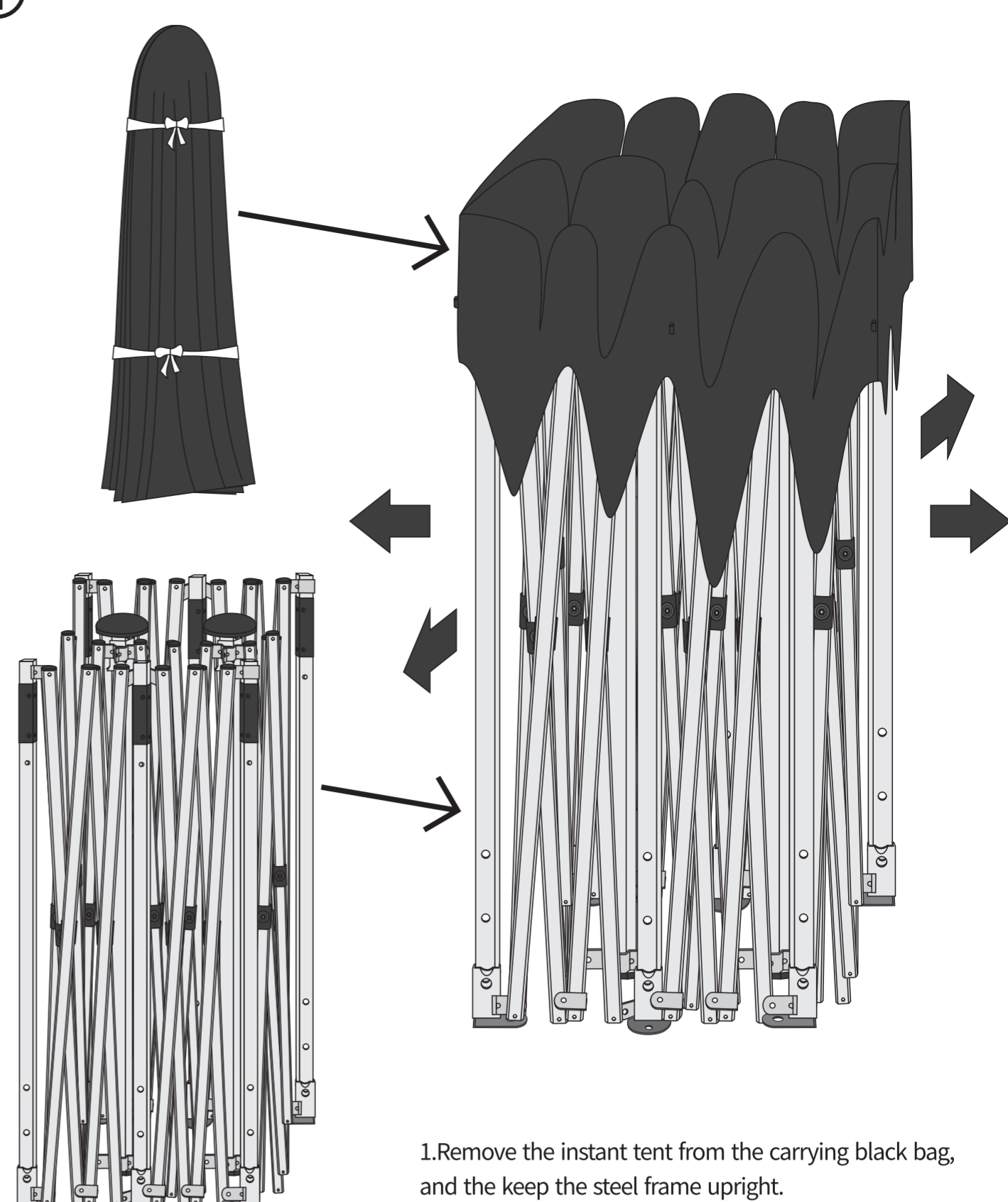


Main Components

Canopy Tent

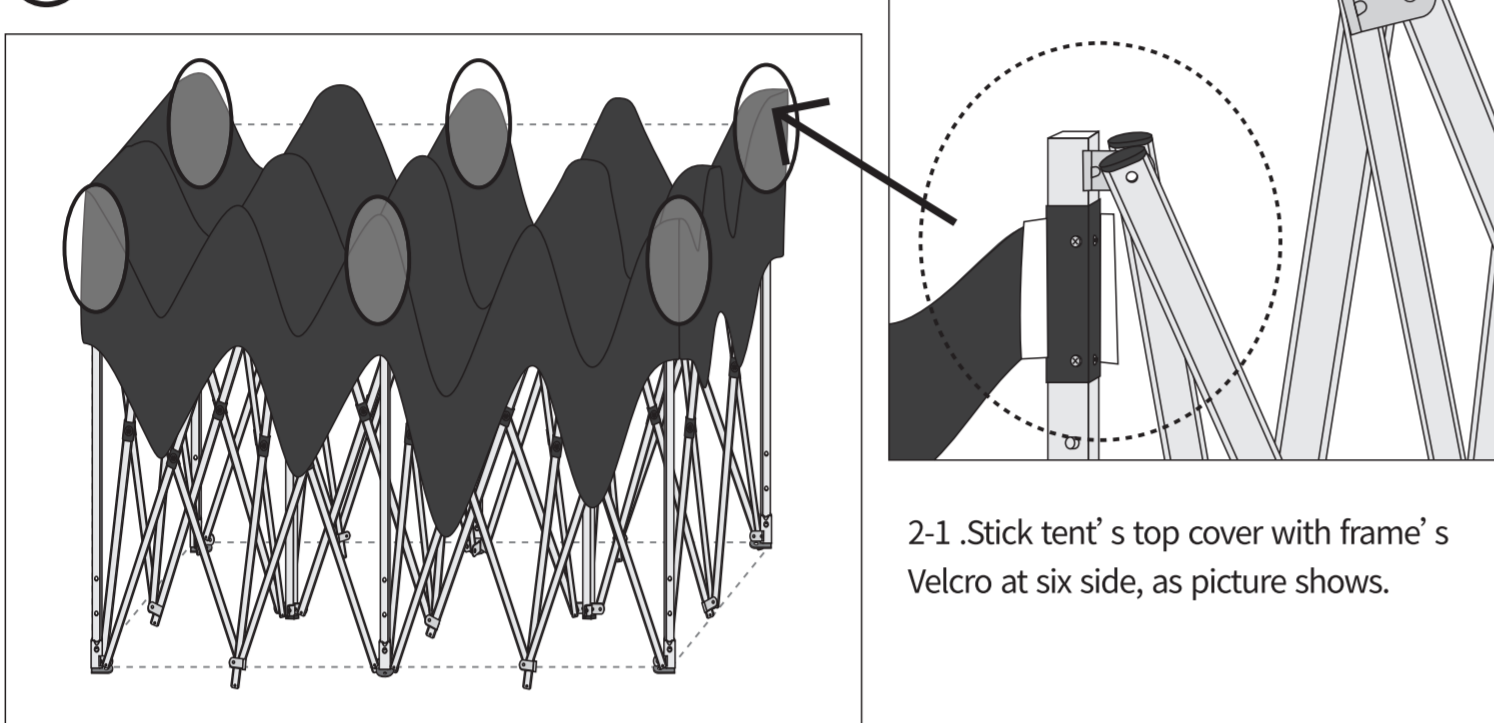


①

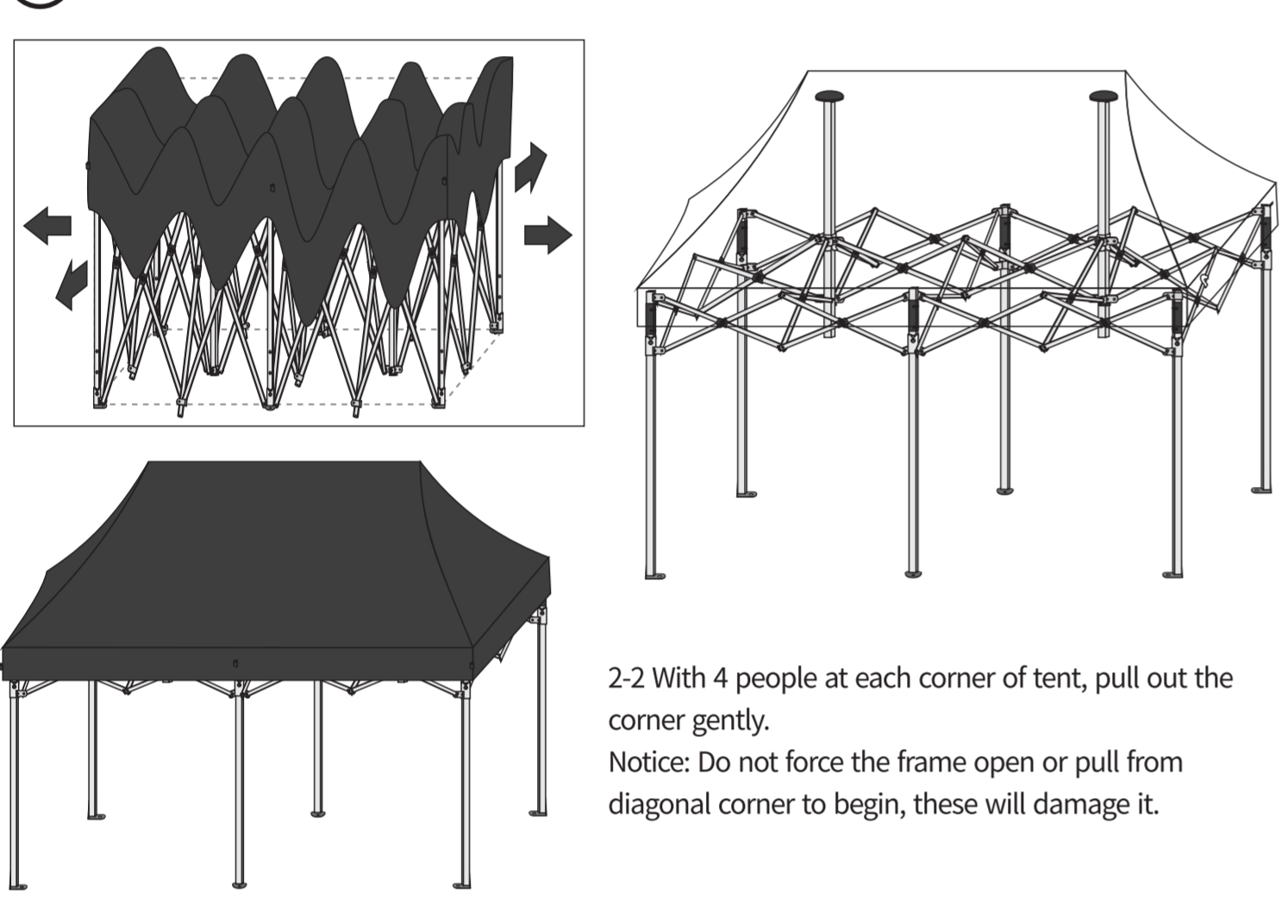


1.Remove the instant tent from the carrying black bag, and the keep the steel frame upright.

② -1

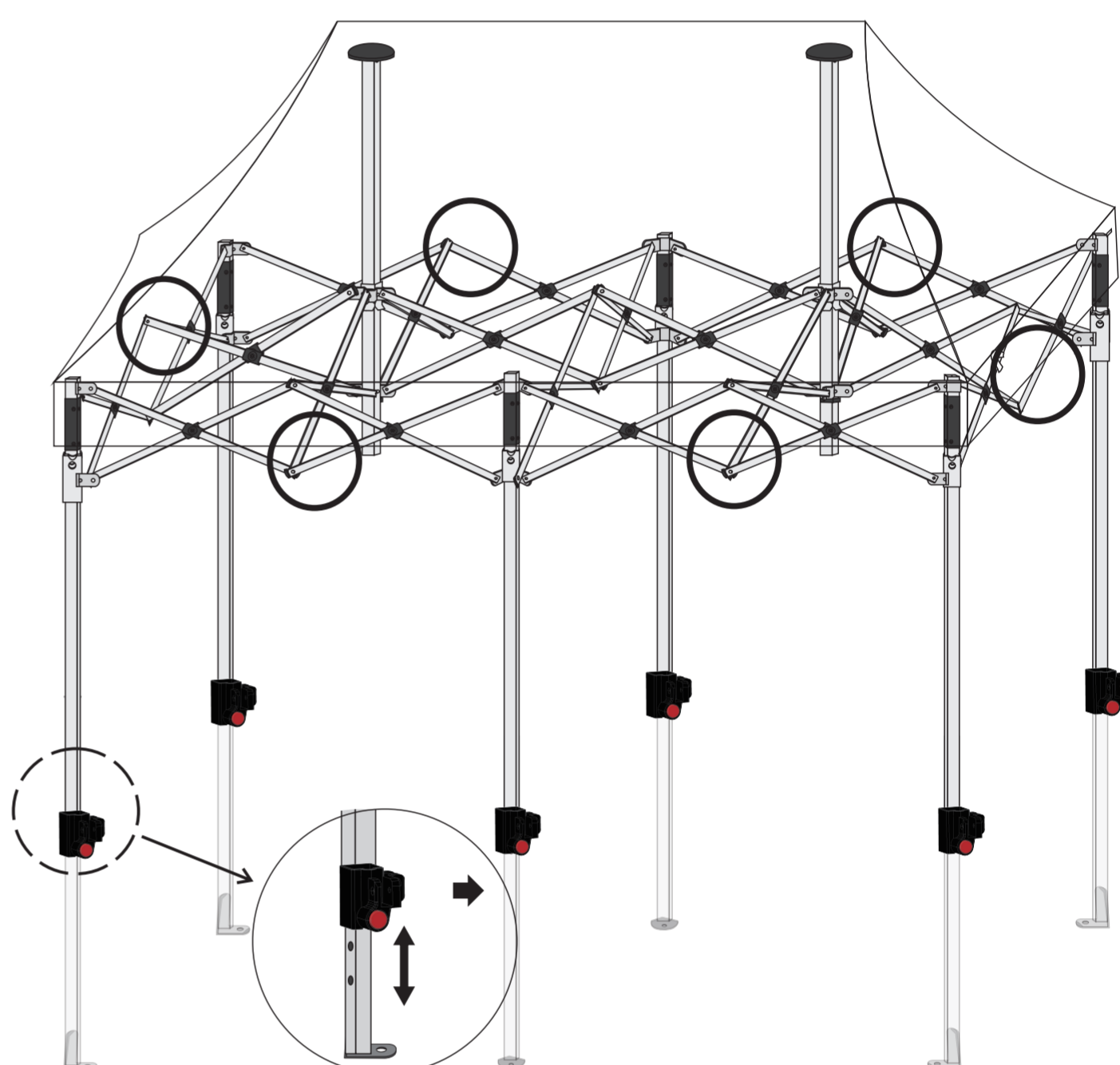
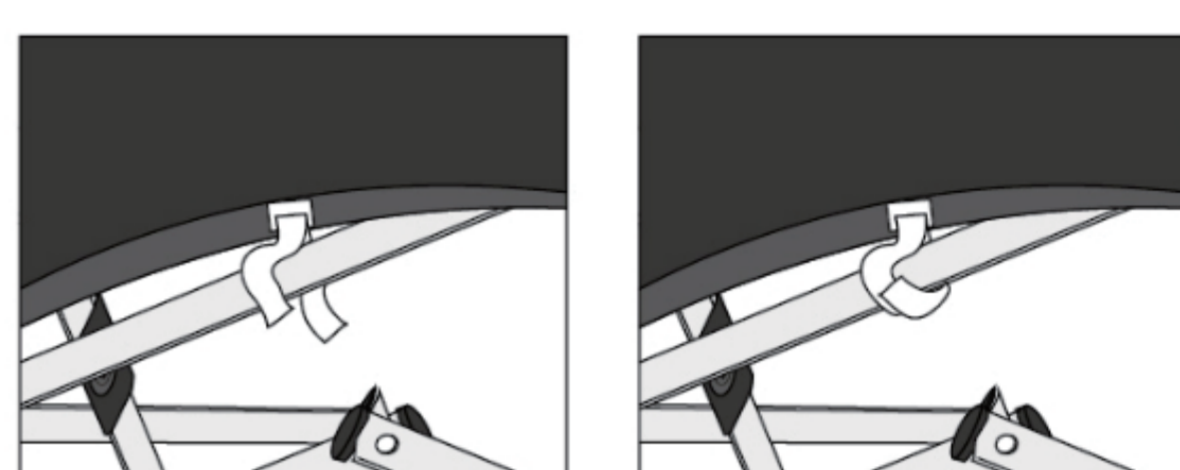


② -2

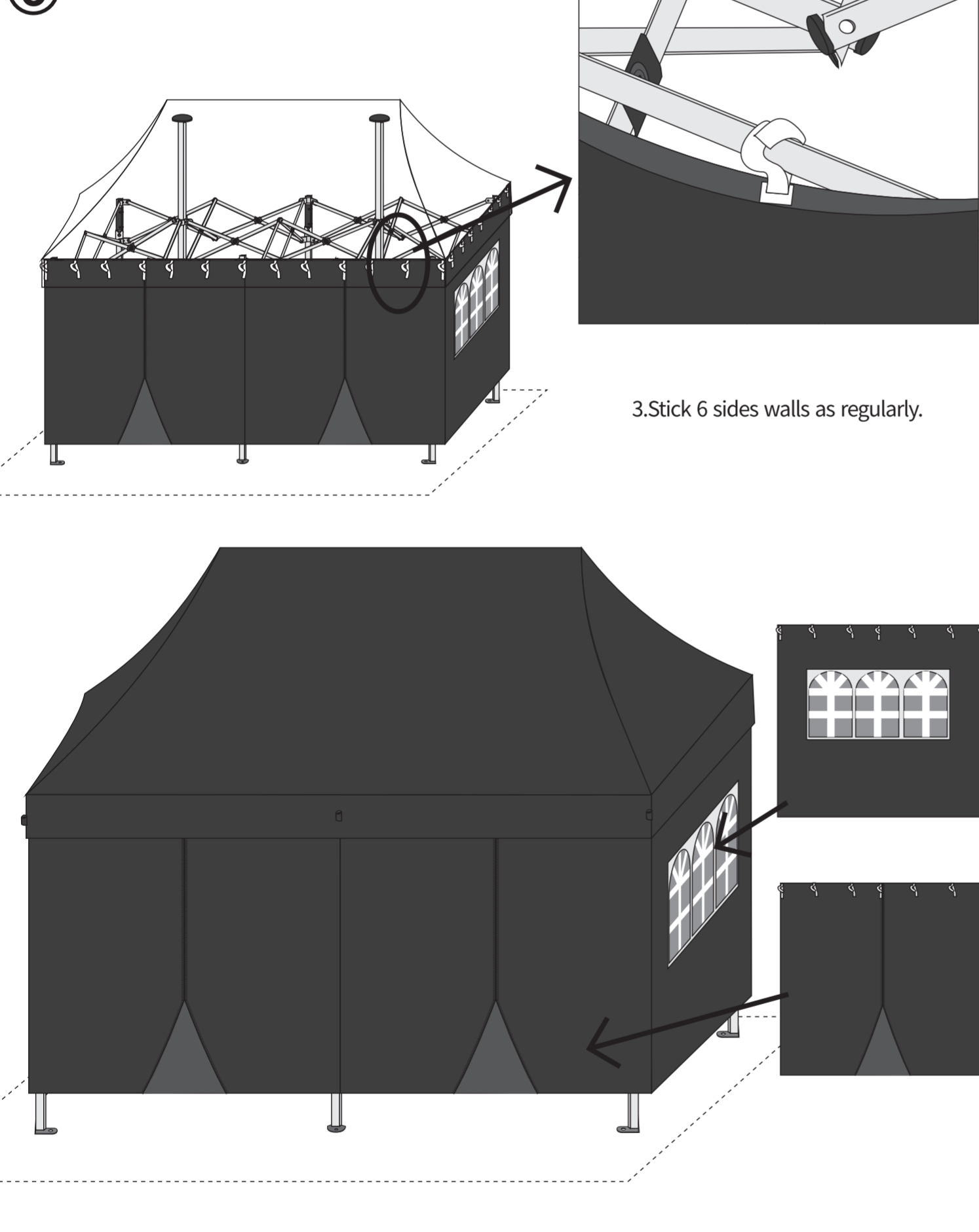


② -3

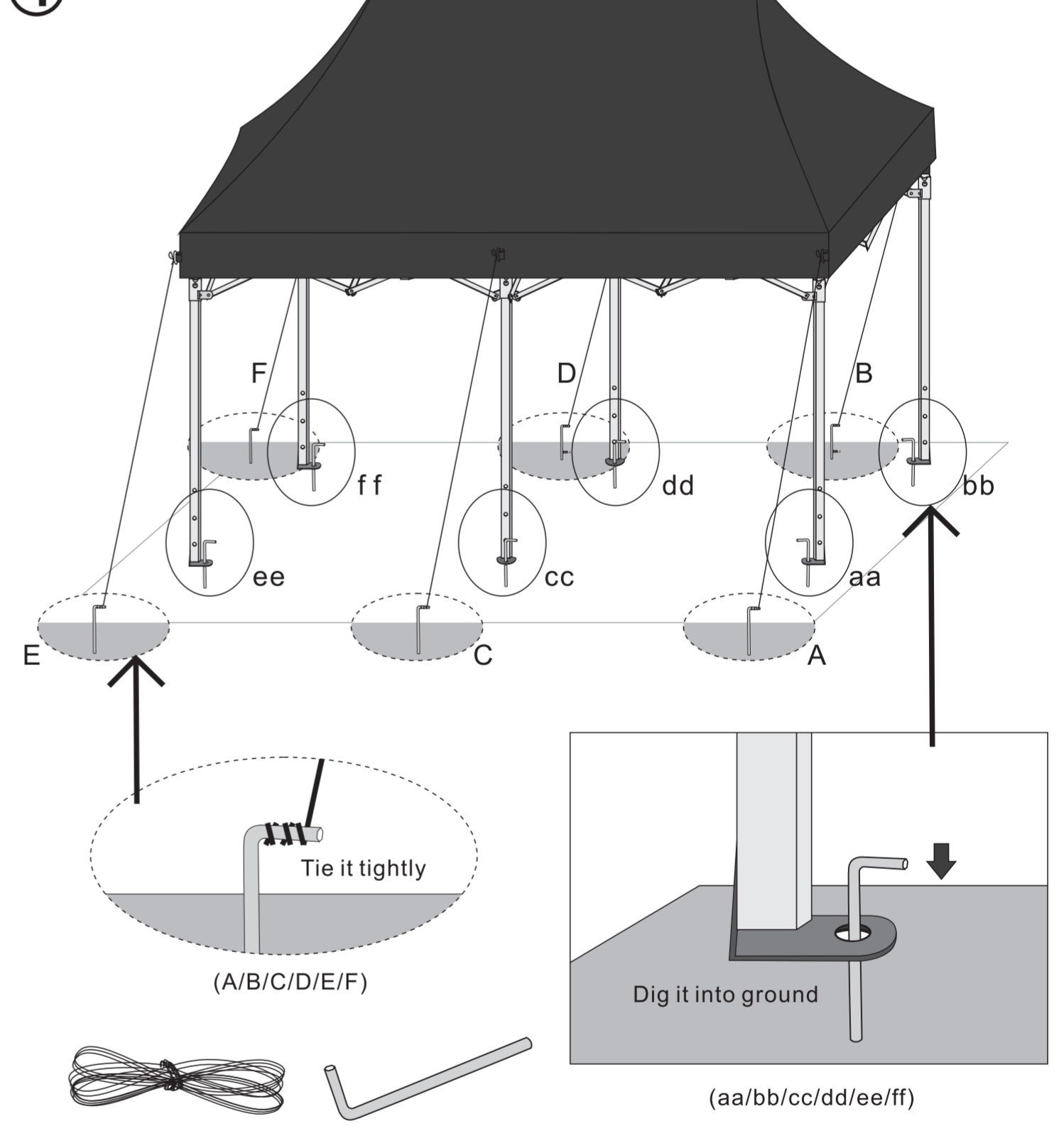
2-3. Secure the sides of the tent to the frame with Velcro, as pictures show.



③

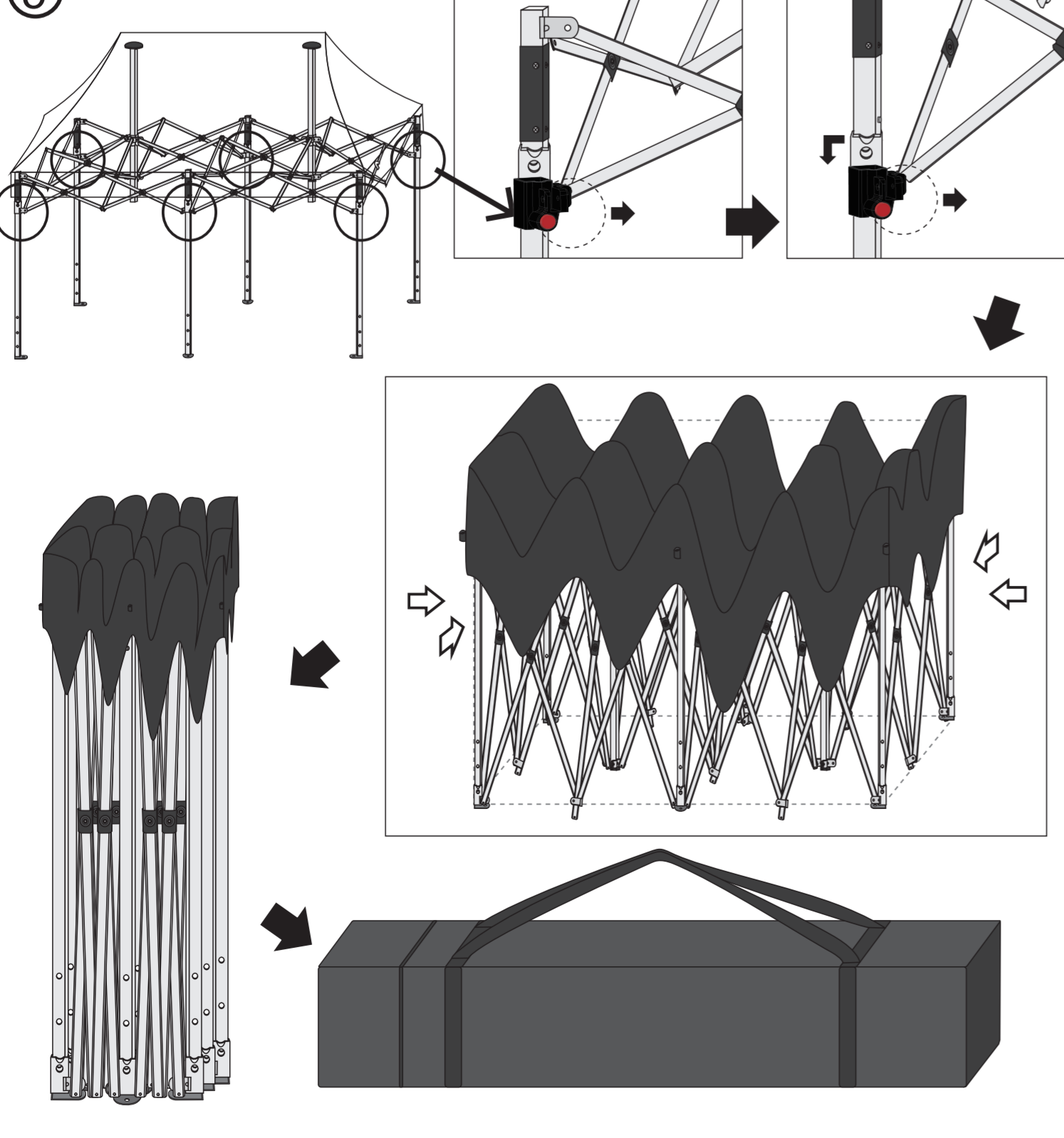


④



4.Install the following parts - aa,bb,cc,dd, ee, ff as showed in pictures: make the ground-nail through the hole of bottom of each steel main stand then push it into the ground.  
For the following part - A, B, C, D, E, F:  
Twine the same rope on the top steel frame and ground-nail, at the same time, please tie them tightly, and dig all ground-nails into the ground.  
Please follow above instructions to make your tent stable enough to use.

⑤



5.HOW TO FOLD BACK  
Each main stand has two clips,one is at top and the other is at the middle,push in them and the tent will be folded back as regularly.