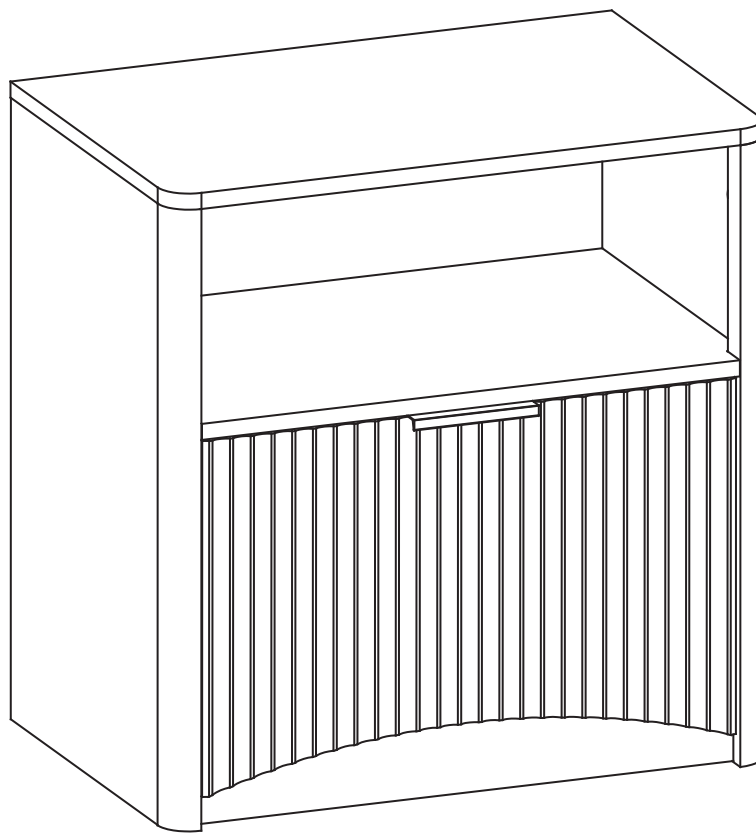


Assembly Instruction



General Guidelines

- Please read the following instruction carefully and use the product accordingly.
- Please keep this manual and hand it over when you transfer the product.
- This summary may not include every detail of all variations and considered steps. Please contact us when further information and help are needed.

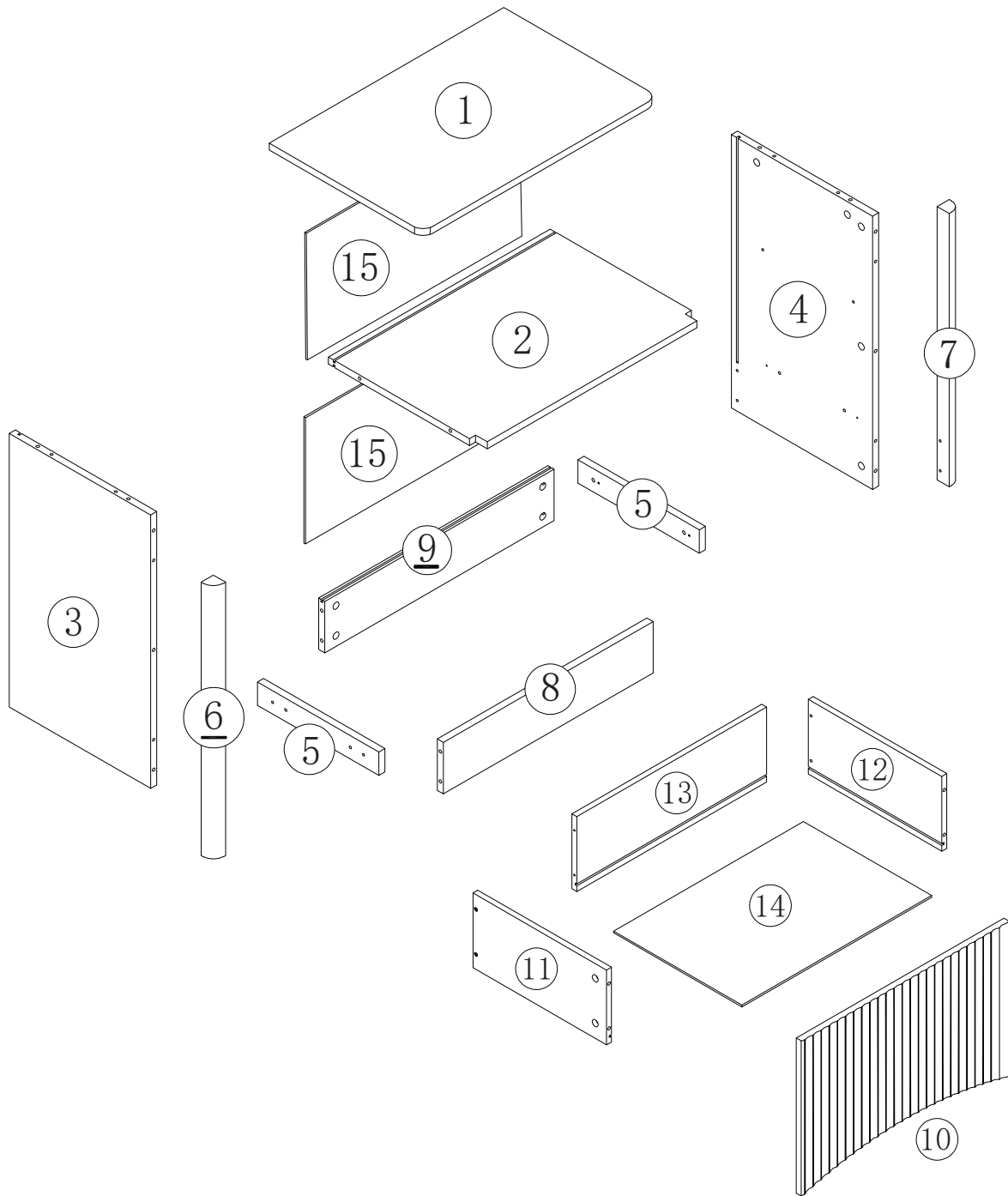
Notes

- The product is intended for indoor use only. The product must be assembled and used in accordance with the provisions of the manual. Personal injury and/or damage to product may occur if products are used outside of their intended purposes and/or if products have been changed/modified from their original design. The seller does not assume any responsibility or liability with respect to any injury/damage caused by incorrect assembly or improper use.
- Avoid long-term exposure to humid environments to prevent mildew.
- Keep the product away from fire sources and high temperatures. Do not expose the product to direct sunlight.
- Do not place any hot objects on the surface of the product.
- If there are any defective or missing parts after unpacking, please cease assembly immediately and contact us.
- Please assemble the item on a spacious surface and do not place the unwrapped product directly on the ground to avoid product damage.
- Please do not stand or sit on the wooden boards.
- Please wear gloves during the assembly and/or disassembly process to avoid scratches from any sharp edges.
- Please match the corresponding part and fitting based on the part number in the manual.
- If the part does not match with the fitting, please check the piece as specified in this manual.
- During assembly, first loosely align all screws with the corresponding pre-drilled holes and then tighten the screws one by one.
- Periodically inspect screw tightness while the product is in use. If necessary, retighten to ensure structural integrity.
- If you accidentally spill water or another liquid on the surface, immediately wipe clean with a dry towel.
- Please keep the product away from sharp, pointed objects and corrosive substances to prevent product damage.
- Please place this item on level, solid ground during use.

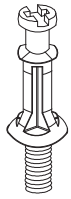
Warnings

- During assembly, keep all small parts out of the reach of children. It may be fatal if swallowed or inhaled.
- Children should not climb or play on the product in order to avoid tipping over the furniture and causing serious injury.
- To avoid the potential dangers of suffocation, please keep all parts and packaging (film, plastic bags, foam, etc.) away from babies and children.
- Keep sharp objects and corrosive items away from the product to avoid any damage or injury.
- Do not shake or move violently during use to avoid tipping over the product.

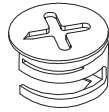
Parts List (EN)/Teile Liste (DE)



Instructions For Fastening CAM-BOLT and CAM-LOCK

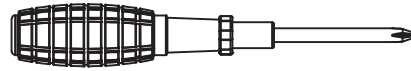


CAM-BOLT

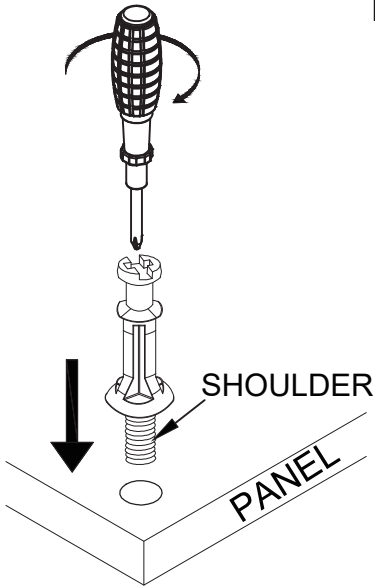


CAM-LOCK

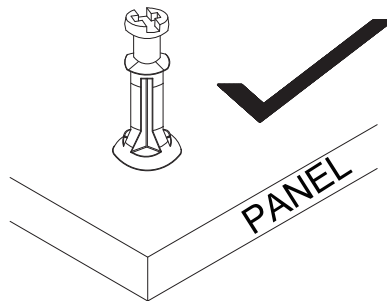
Tools Required



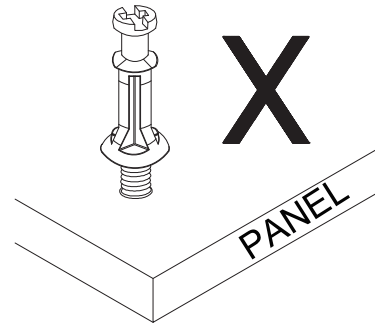
INSERTING AND TIGHTENING CAM-BOLT



Place Cam-bolt on pre-drilled hole and screw in vertically



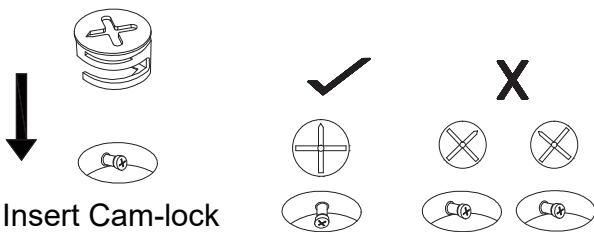
Shoulder is flushed (on the same level) with the panel.



Shoulder is above the panel.

Place Cam-bolt on the designated pre-drilled holes on the panel. Use a Phillips Screwdriver to screw-in Cam-bolt vertically until shoulder is flushed (on the same level) with panel.

INSERTING CAM-LOCK



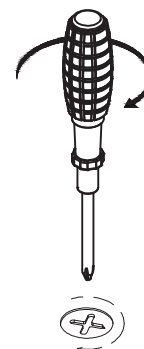
Insert Cam-lock with arrow align to Cam-bolt head

CORRECT

WRONG

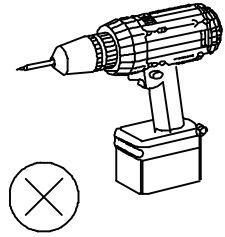
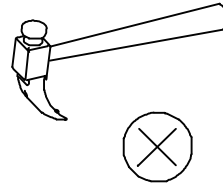
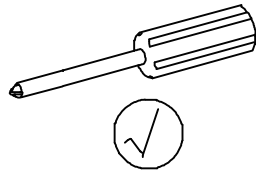
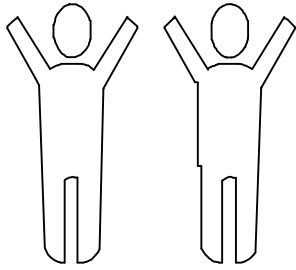
Align the arrow on the Cam-lock to the Cam-bolt head and insert the Cam-lock. Ensure Cam-lock is fully inserted.

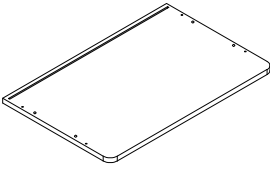
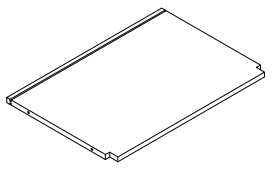
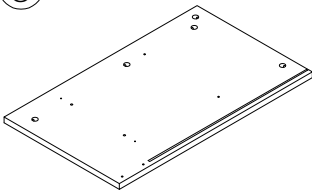
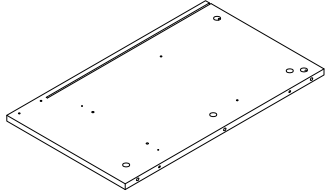
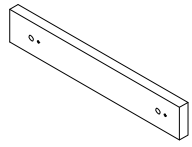
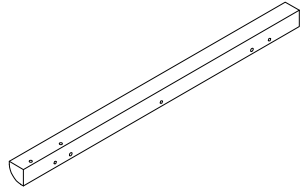
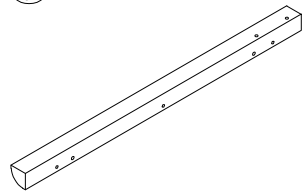
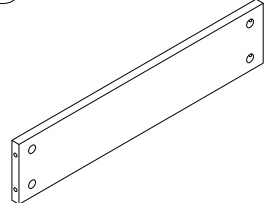
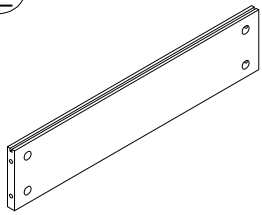
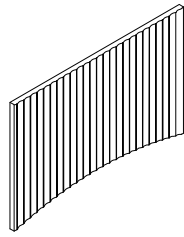
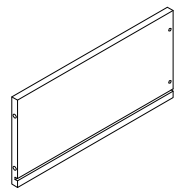
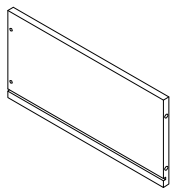
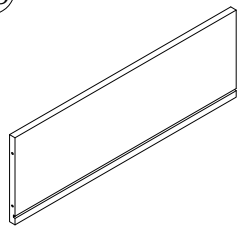
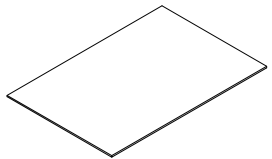
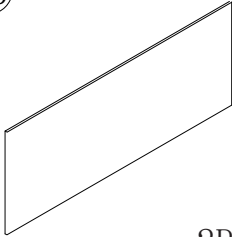
TIGHTENING CAM-LOCK



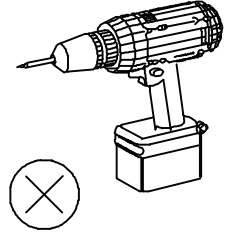
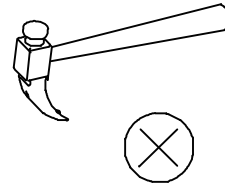
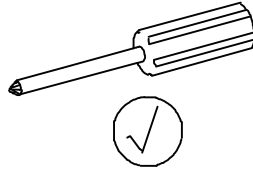
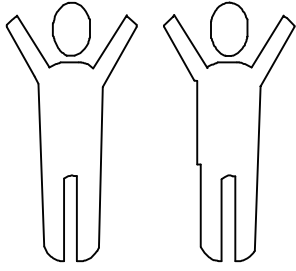
Use a Flat-head Screwdriver to turn Camlock clockwise so it locks onto the head of the Cam-bolt. Turn until it is snug (about 3/4ths of a turn) -- over-tightening could damage Cam-lock or/and Cam-bolt.

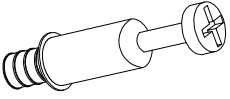
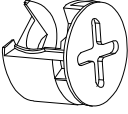
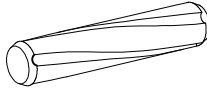

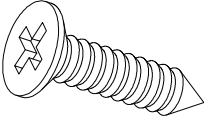
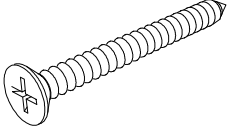
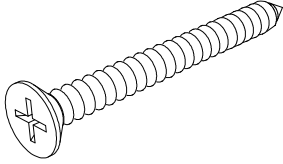
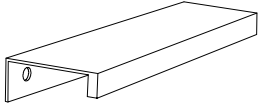
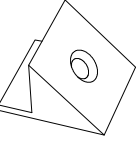
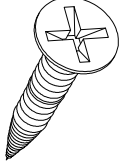
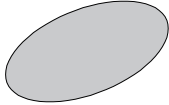
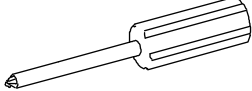
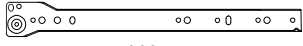
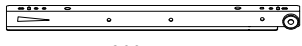
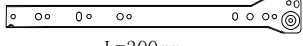

Parts List (EN) / Teile Liste (DE)



<p>①</p>  <p>1PC</p>	<p>②</p>  <p>1PC</p>	<p>③</p>  <p>1PC</p>	<p>④</p>  <p>1PC</p>
<p>⑤</p>  <p>2PCS</p>	<p>⑥</p>  <p>1PC</p>	<p>⑦</p>  <p>1PC</p>	<p>⑧</p>  <p>1PC</p>
<p>⑨</p>  <p>1PC</p>	<p>⑩</p>  <p>1PC</p>	<p>⑪</p>  <p>1PC</p>	<p>⑫</p>  <p>1PC</p>
<p>⑬</p>  <p>1PC</p>	<p>⑭</p>  <p>1PC</p>	<p>⑮</p>  <p>2PCS</p>	

Parts List (EN) / Teile Liste (DE)

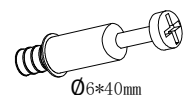
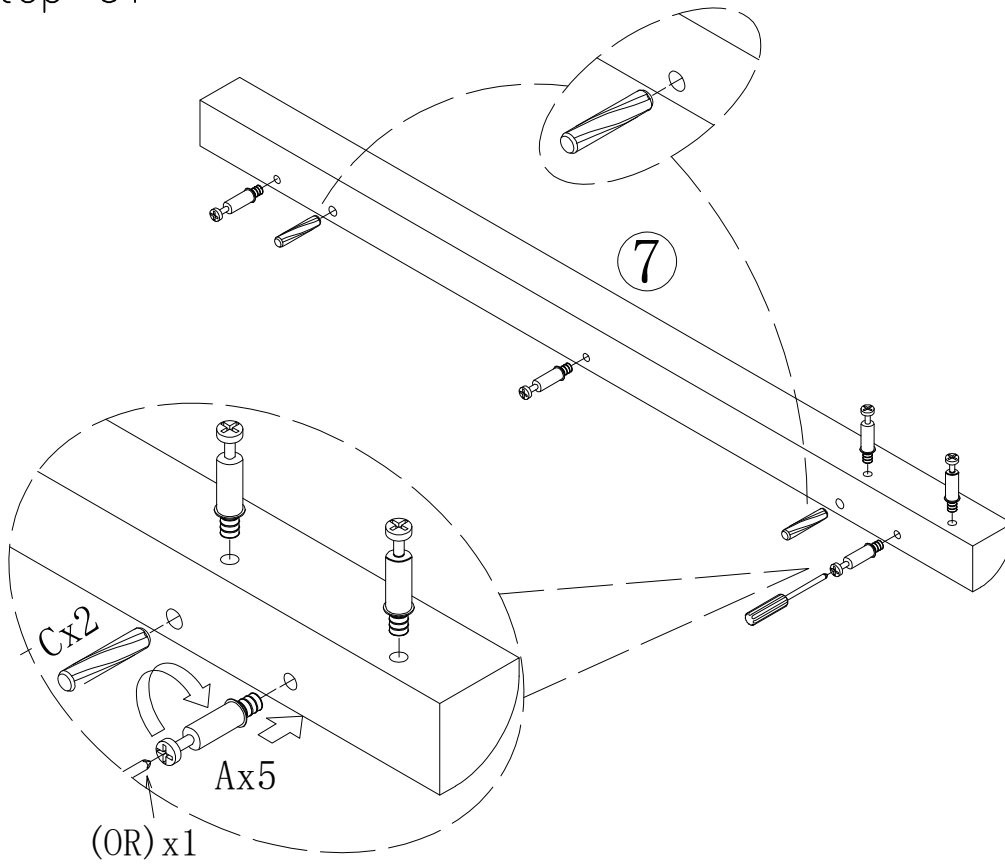


<p>A</p>  <p>Ø6*40mm</p> <p>26+2PCS</p>	<p>B</p>  <p>Ø15*9.5mm</p> <p>26+2PCS</p>	<p>C</p>  <p>Ø8*30mm</p> <p>8+1PCS</p>	<p>D</p>  <p>Ø8*20mm</p> <p>4+1PCS</p>
<p>E</p>  <p>M3.5*12mm</p> <p>10+1PC</p>	<p>F</p>  <p>M3.5*25mm</p> <p>4+1PCS</p>	<p>G</p>  <p>M3.5*30mm</p> <p>4+1PCS</p>	<p>H</p>  <p>1PC</p>
<p>(J1)</p>  <p>8+1PCS</p>	<p>(J2)</p>  <p>M3*14m</p> <p>8+1PCS</p>	<p>K</p>  <p>16+1PC</p>	<p>OR</p>  <p>1PC</p>
<p>CL</p>  <p>L=300mm</p> <p>1PC</p>	<p>DL</p>  <p>L=300mm</p> <p>1PC</p>		
<p>CR</p>  <p>L=300mm</p> <p>1PC</p>	<p>DR</p>  <p>L=300mm</p> <p>1PC</p>		

Note: The other holes of the pulley are for self-flexible adjustment, maintenance and replacement

Parts List (EN) / Teile Liste (DE)

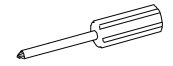
Step 01



Ax5

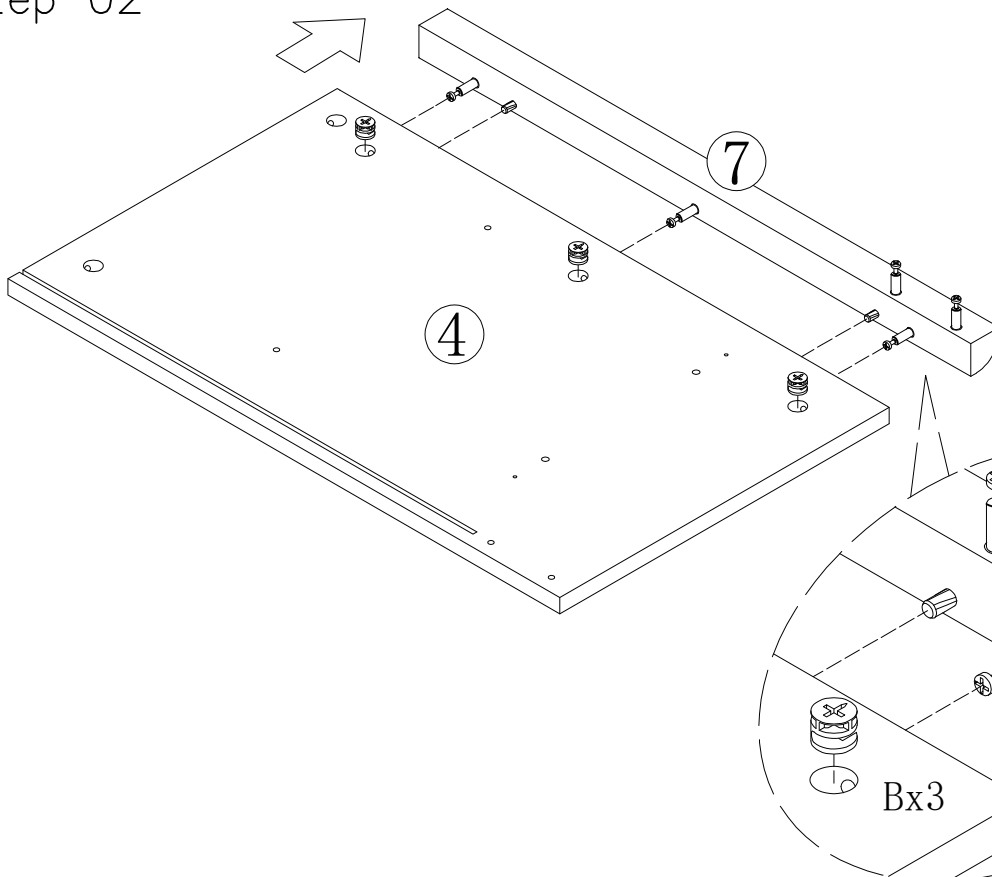


Cx2



(OR) x1

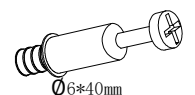
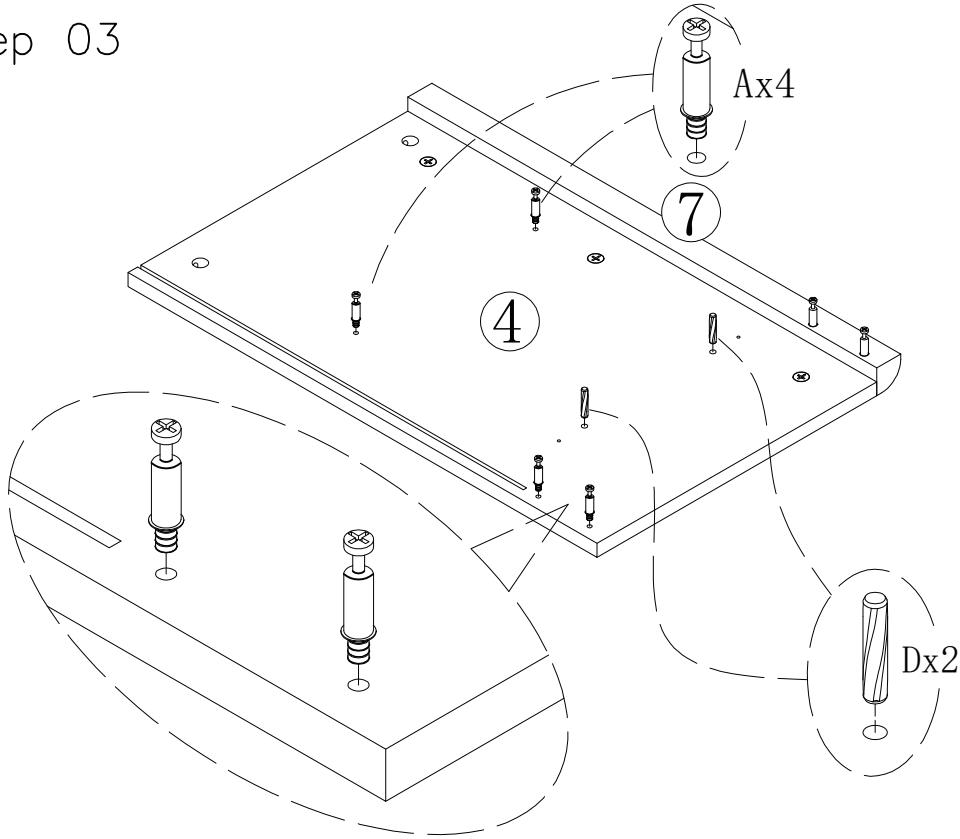
Step 02



Bx3

Parts List (EN)/Teile Liste (DE)

Step 03



Ø6*40mm

Ax4



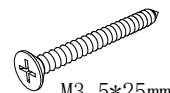
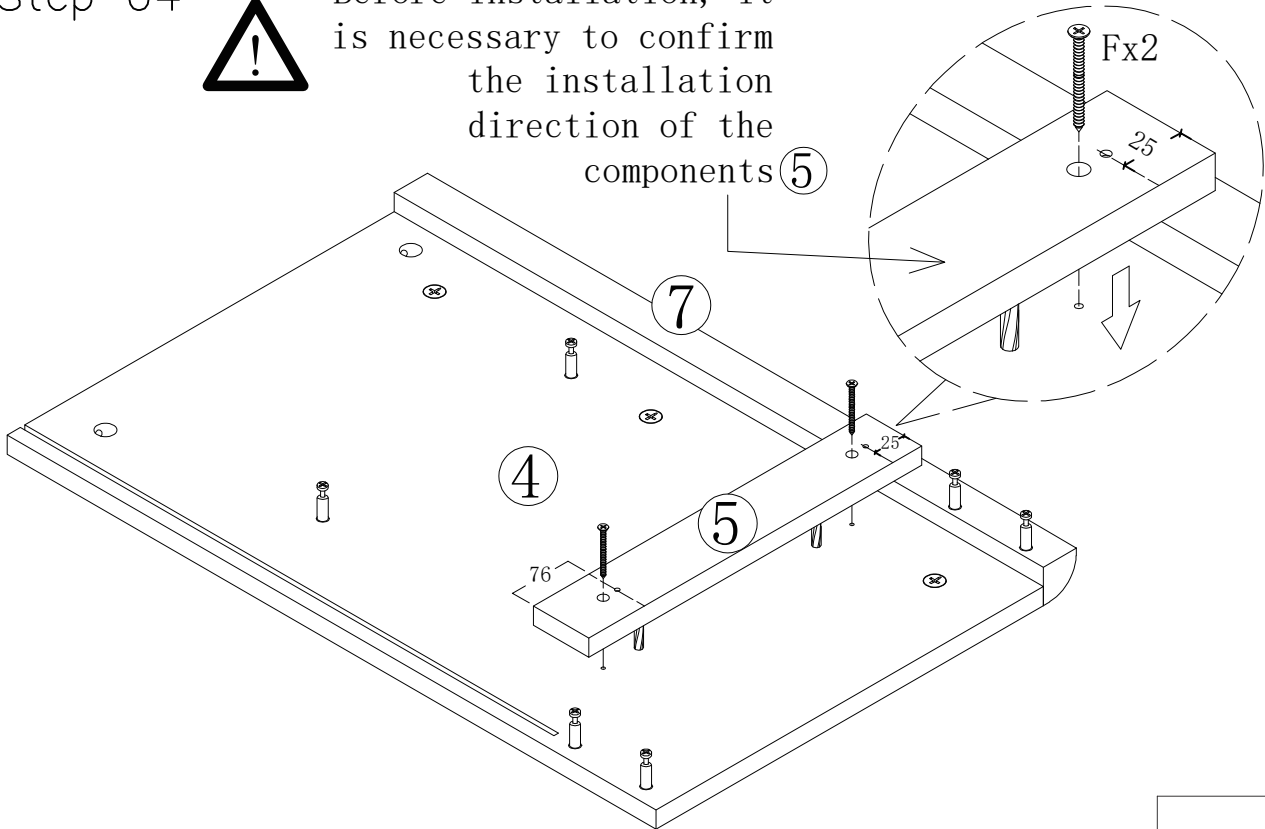
Ø8*20mm

Dx2

Step 04



Before installation, it is necessary to confirm the installation direction of the components (5)



M3.5*25mm

Fx2

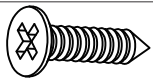
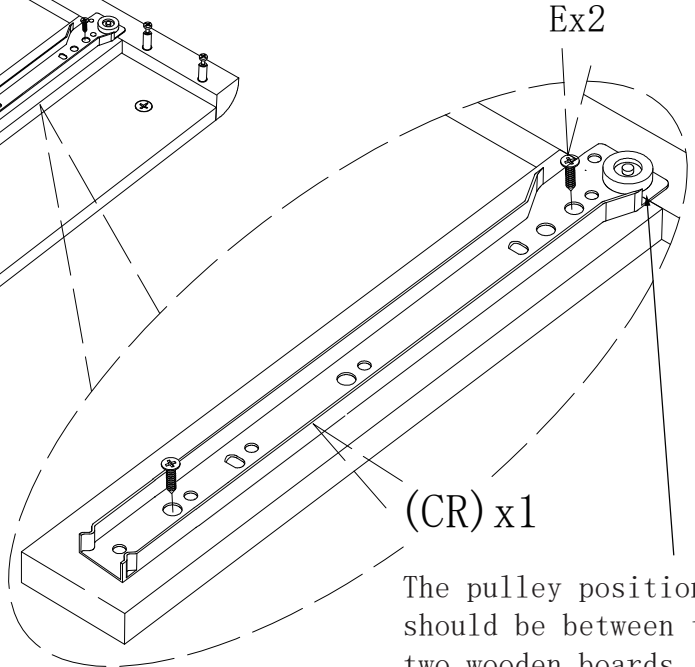
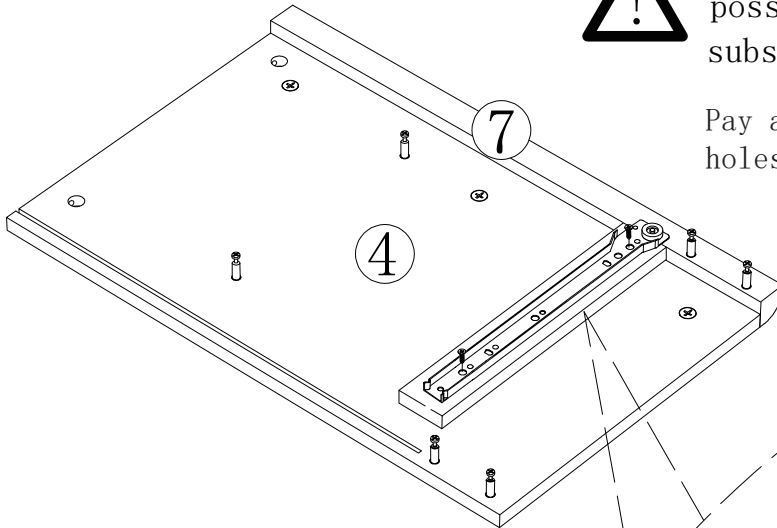
Parts List (EN) / Teile Liste (DE)

Step 05



Fasten fitting "E" as tight as possible to avoid failure in subsequent drawer installation.

Pay attention to the corresponding holes of the screws



M3.5*12mm

Ex2



(CR) x1

L=300mm

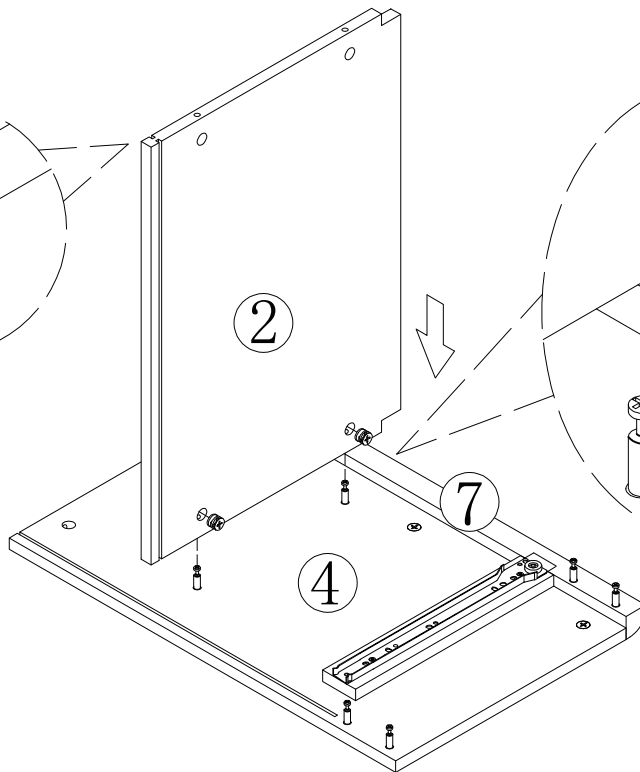
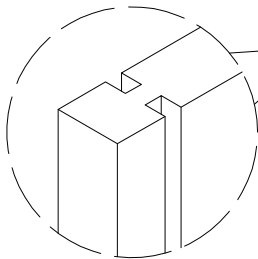
The pulley position should be between the two wooden boards

Step 06



Ø15*9.5mm

Bx2



Pay attention to the direction of the notch. If you install it incorrectly in this step, step 15 will fail to install.

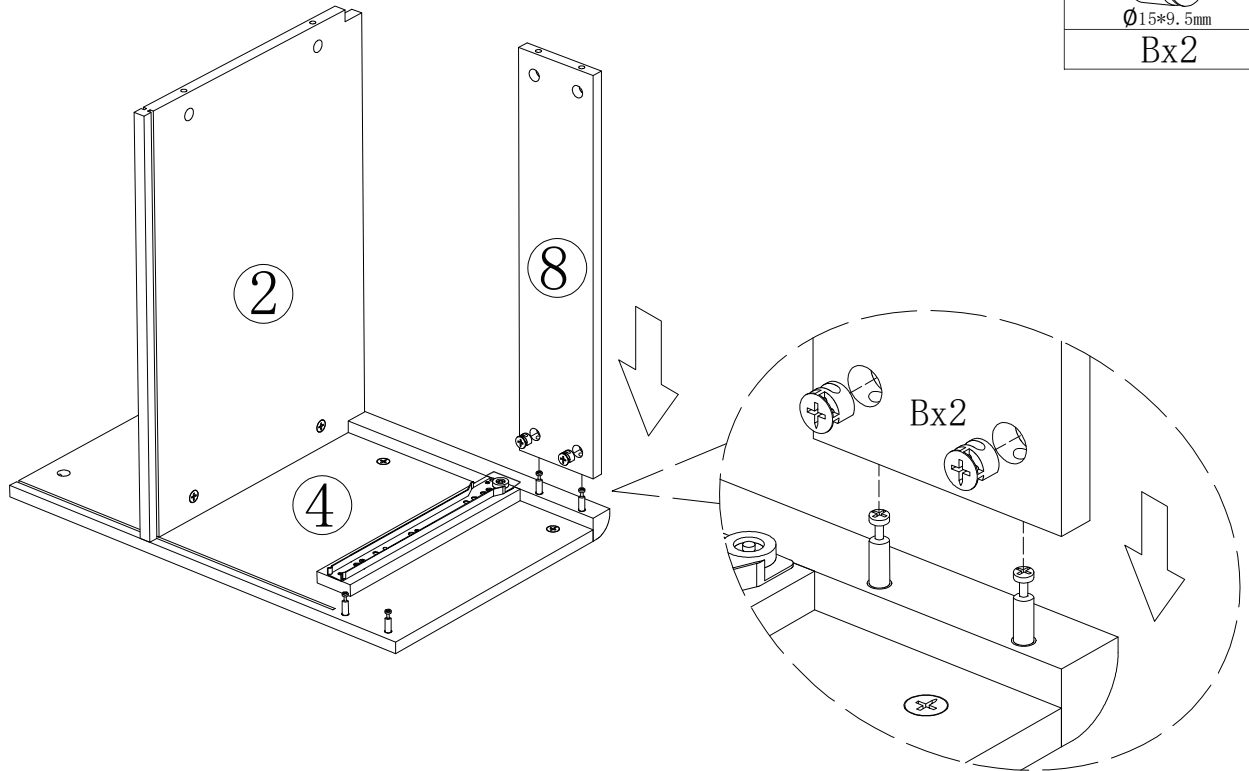
Parts List (EN) / Teile Liste (DE)

Step 07



Ø15*9.5mm

Bx2



Step 08

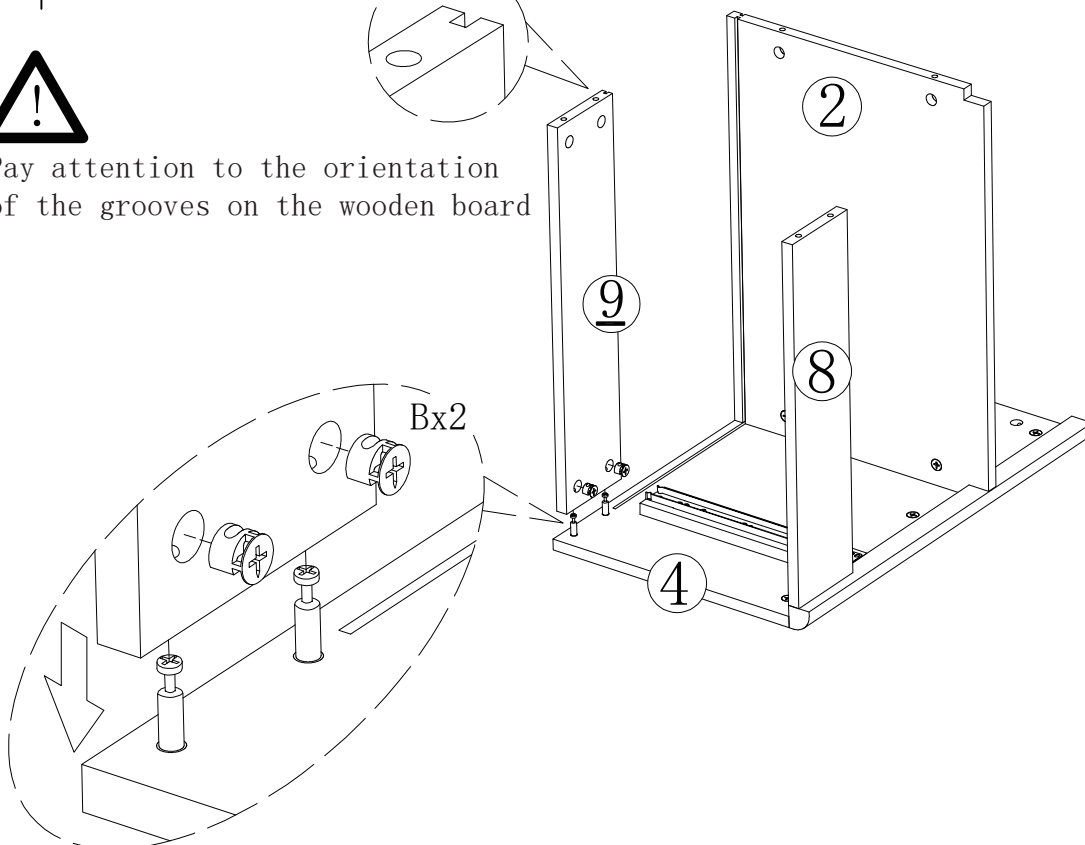
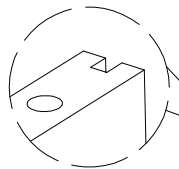


Ø15*9.5mm

Bx2

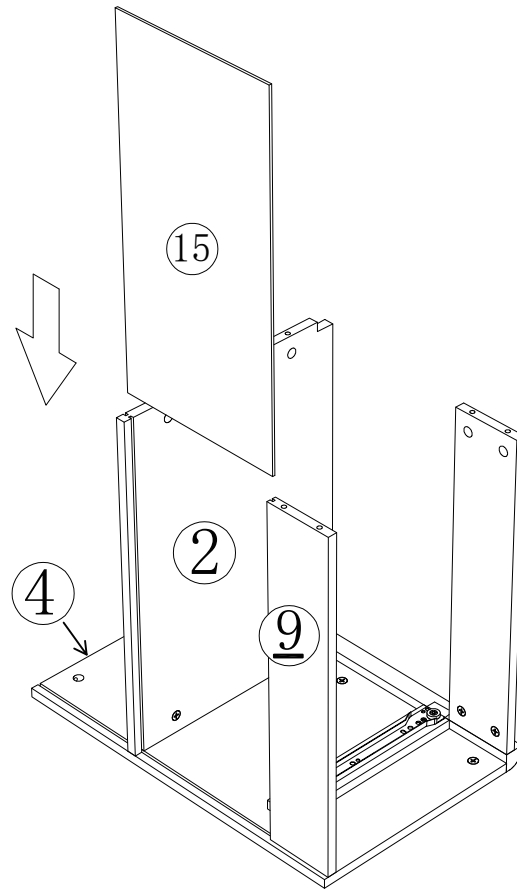


Pay attention to the orientation of the grooves on the wooden board

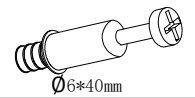
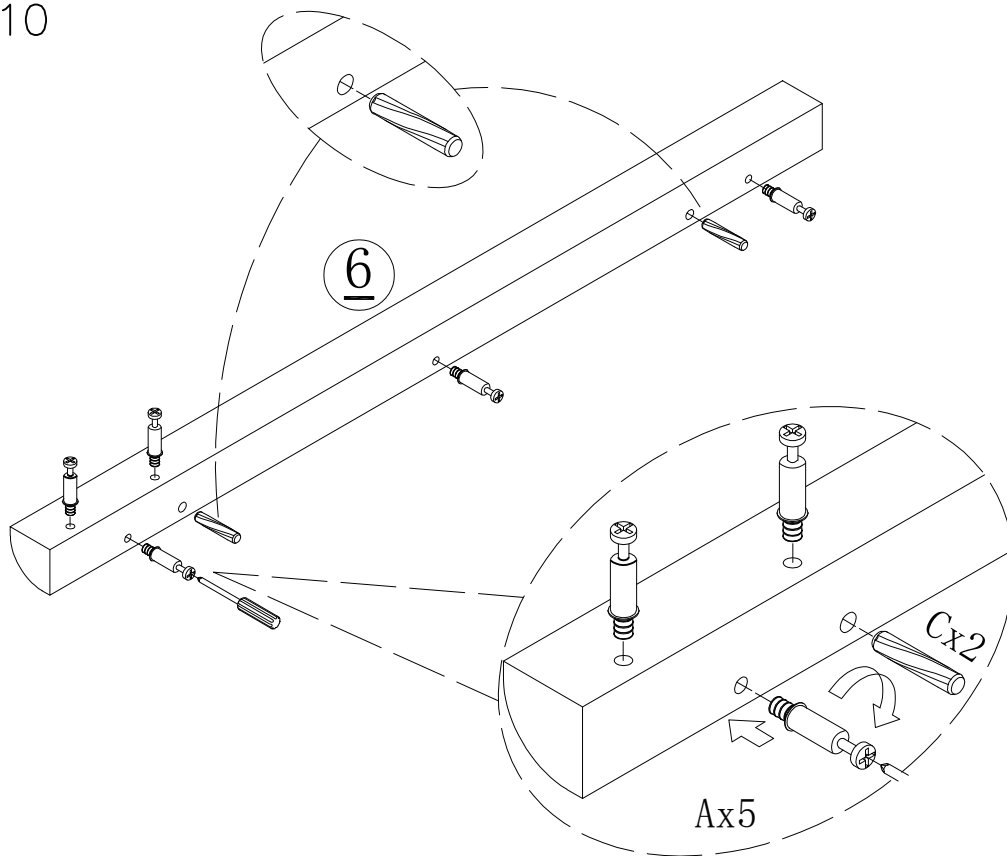


Parts List (EN) / Teile Liste (DE)

Step 09



Step 10



Ø6*40mm

Ax5



Ø8*30mm

Cx2

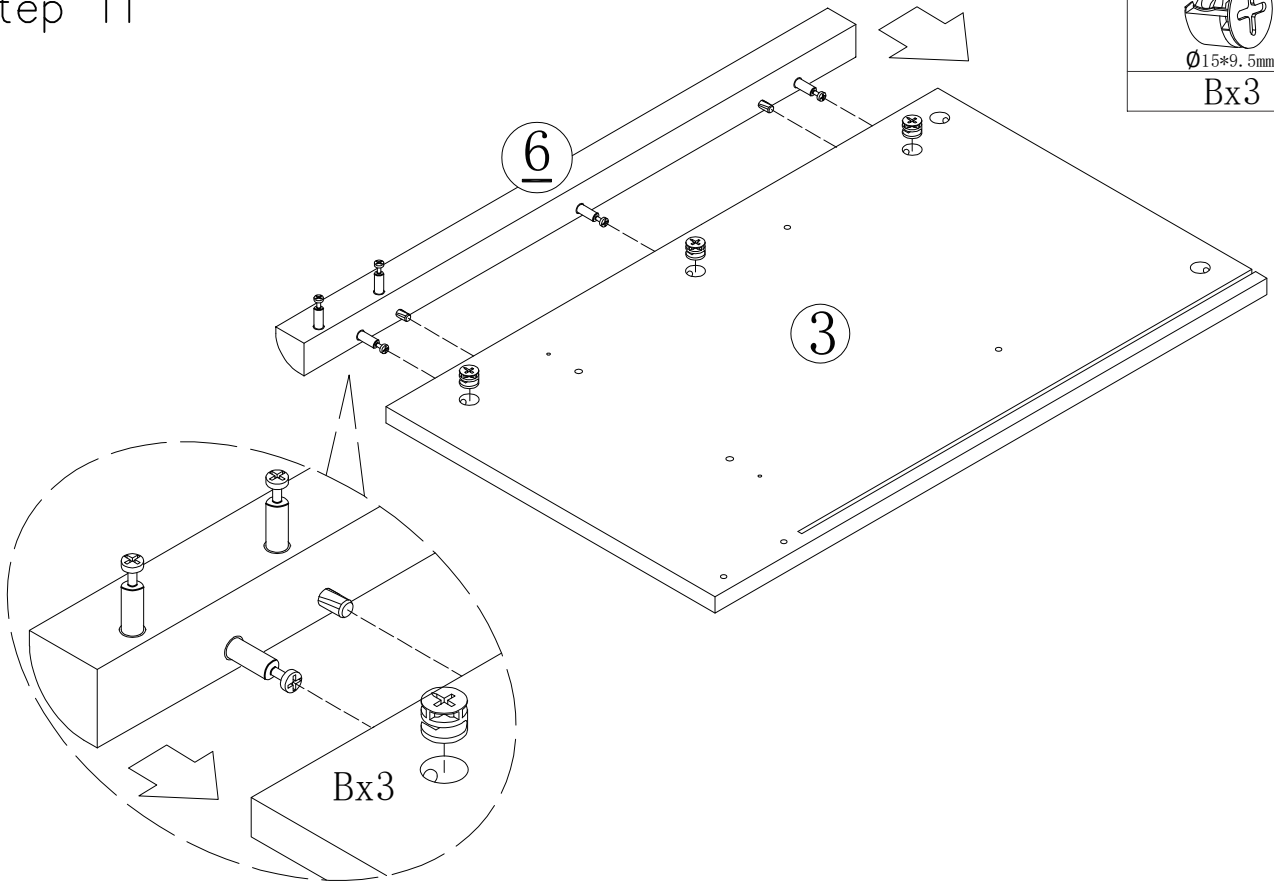
Parts List (EN) / Teile Liste (DE)

Step 11

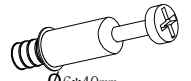


Ø15*9.5mm

Bx3



Step 12



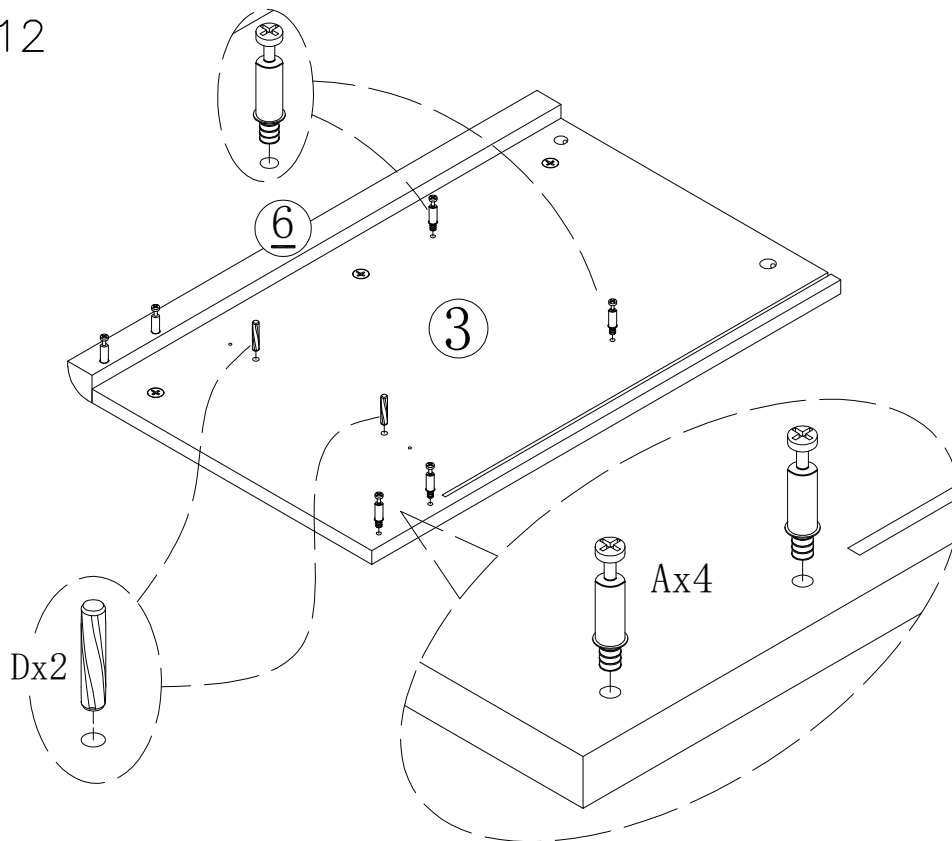
Ø6*40mm

Ax4



Ø8*20mm

Dx2

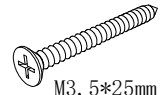


Parts List (EN)/Teile Liste(DE)

Step 13

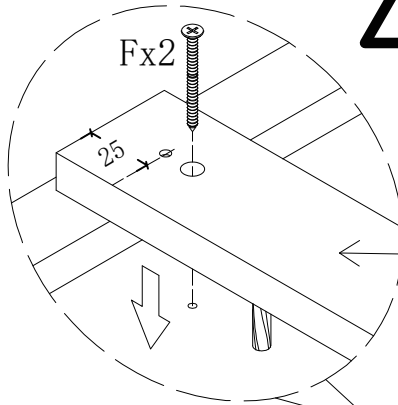


Before installation, it is necessary to confirm the installation direction of the components ⑤

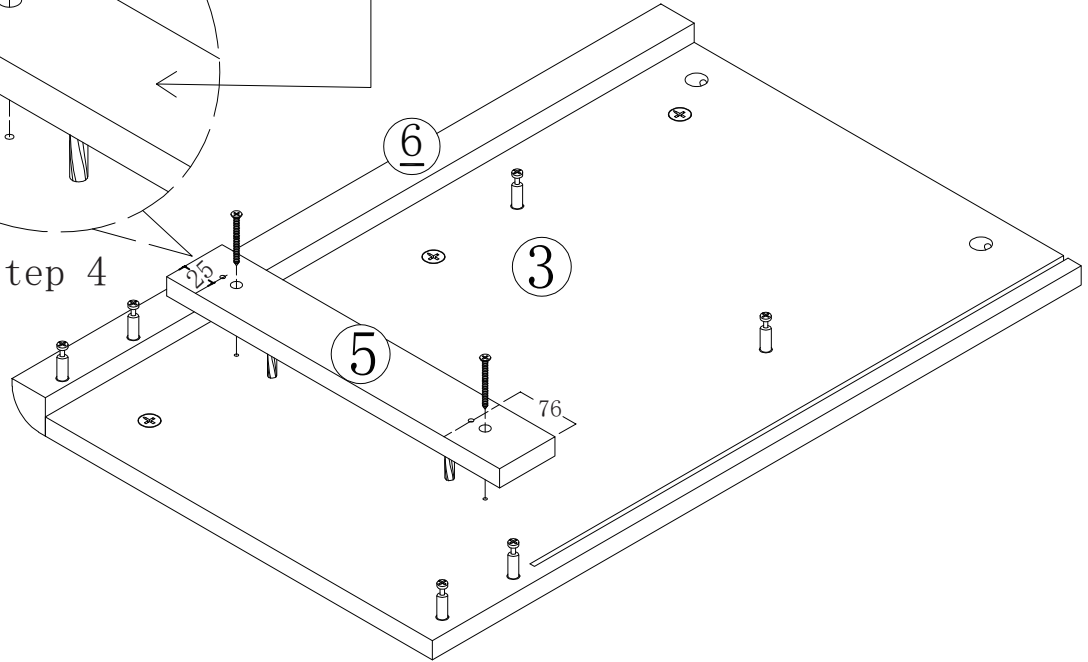


M3.5*25mm

Fx2



Fx2



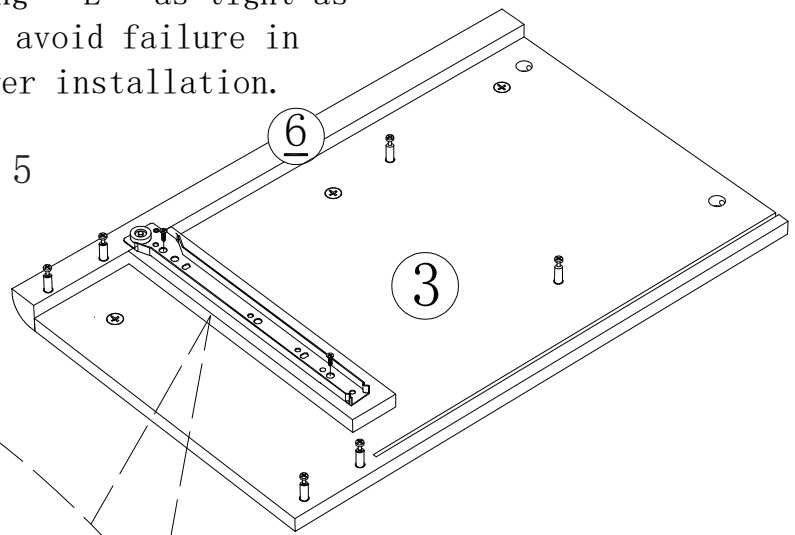
Refer to Step 4

Step 14

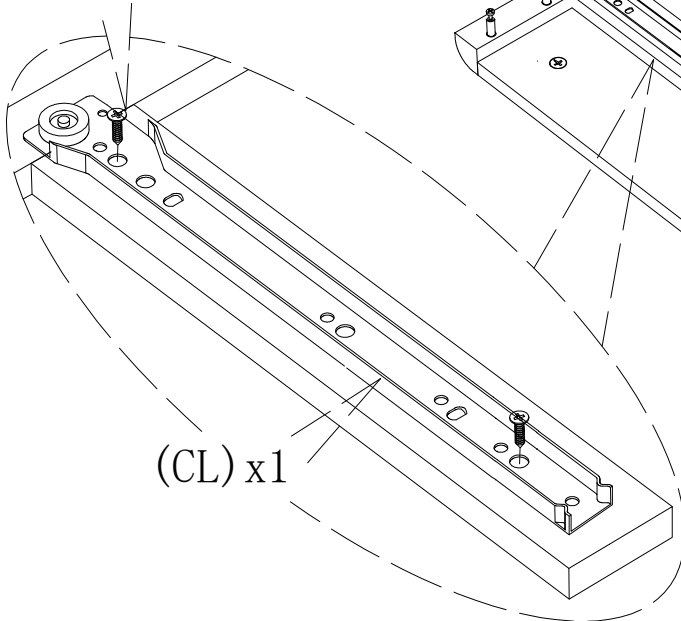


Fasten fitting "E" as tight as possible to avoid failure in subsequent drawer installation.

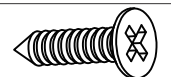
Refer to Step 5



Ex2



(CL) x1



M3.5*12mm

Ex2

L=300mm



(CL) x1

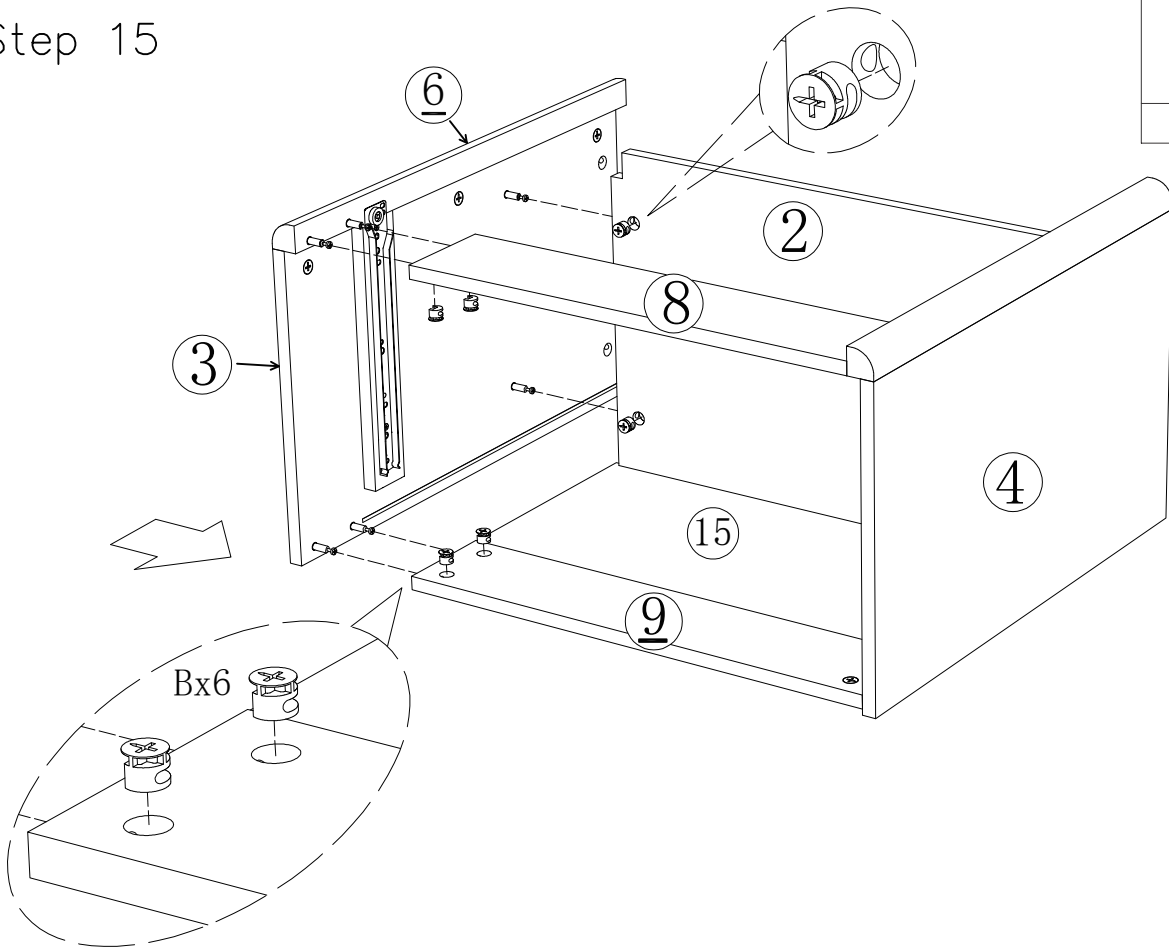
Parts List (EN) / Teile Liste (DE)

Step 15

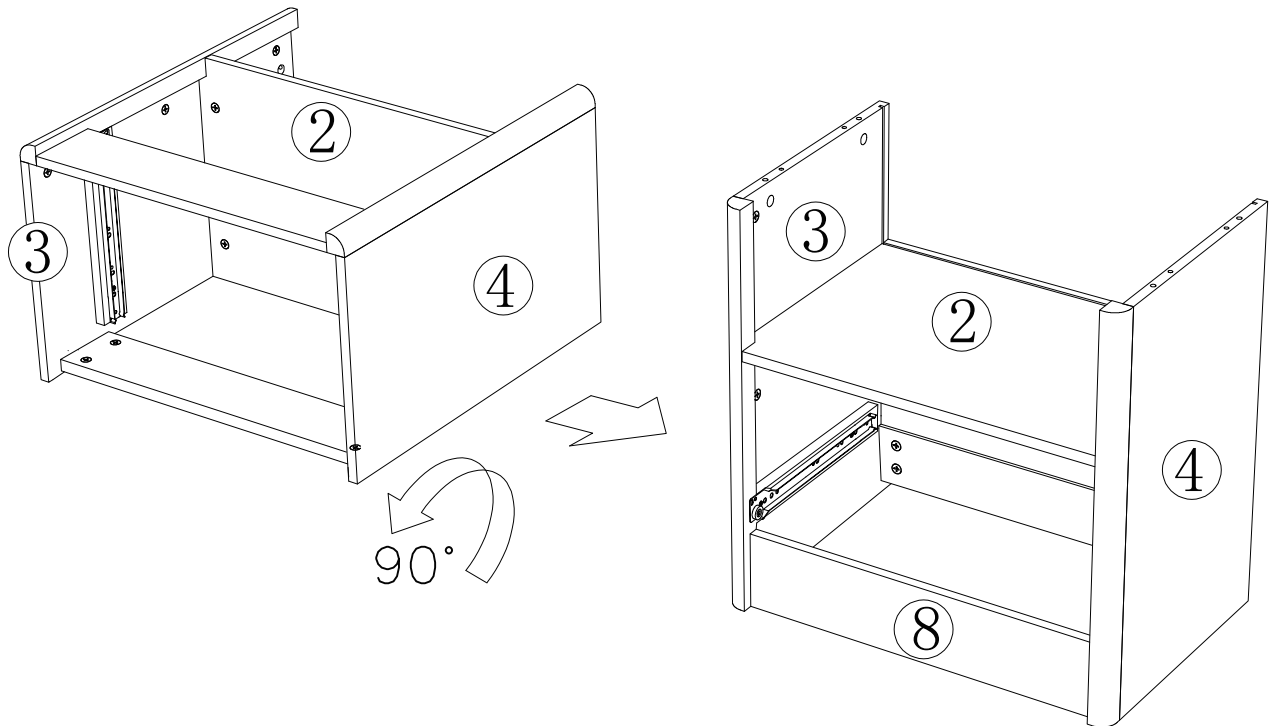


Ø15*9.5mm

Bx6

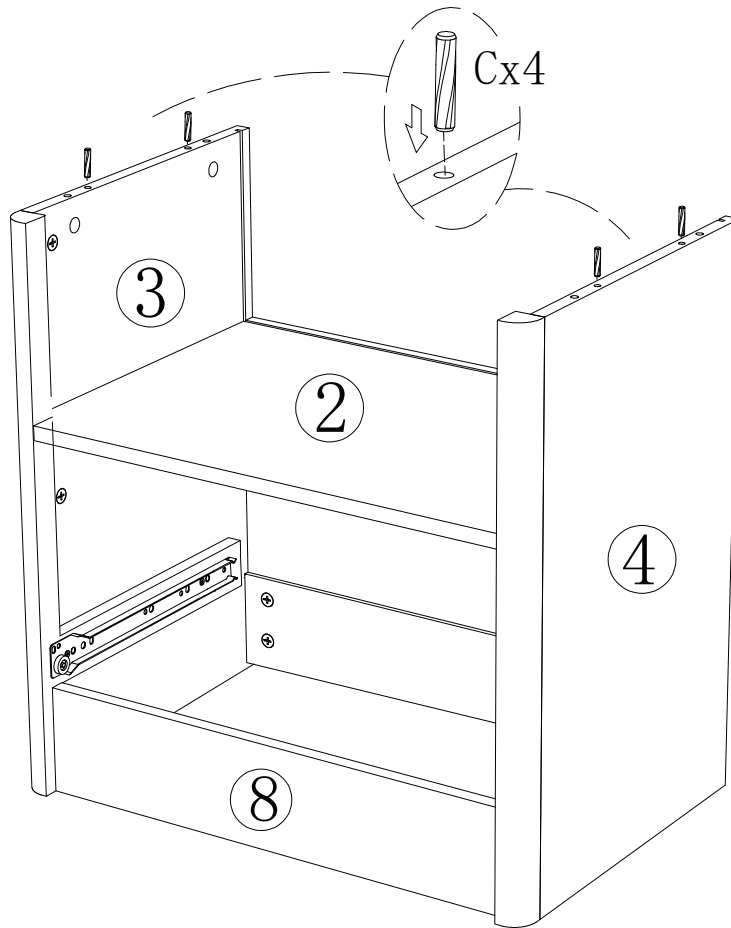


Step 16



Parts List (EN) / Teile Liste (DE)

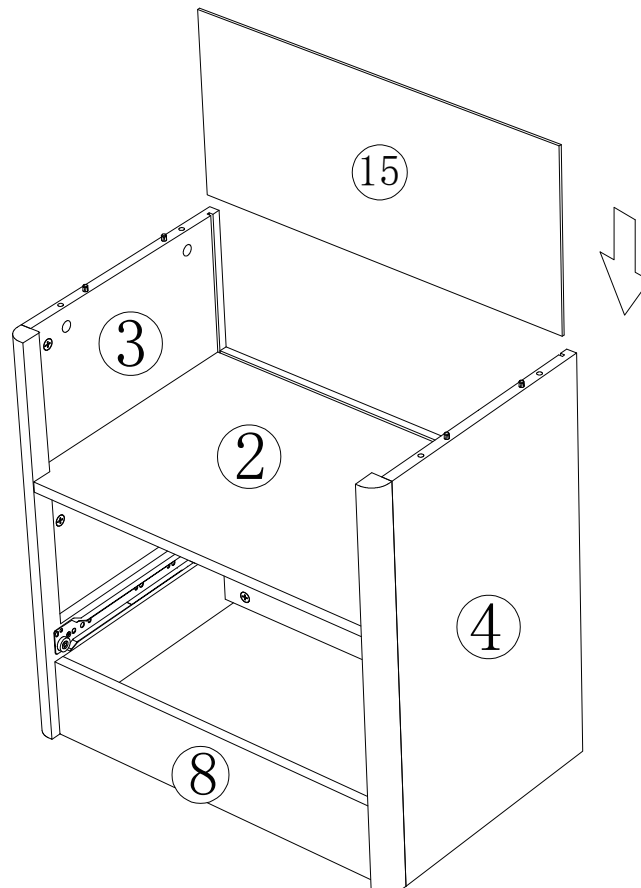
Step 17



Ø8*30mm

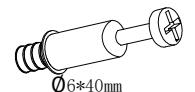
Cx4

Step 18



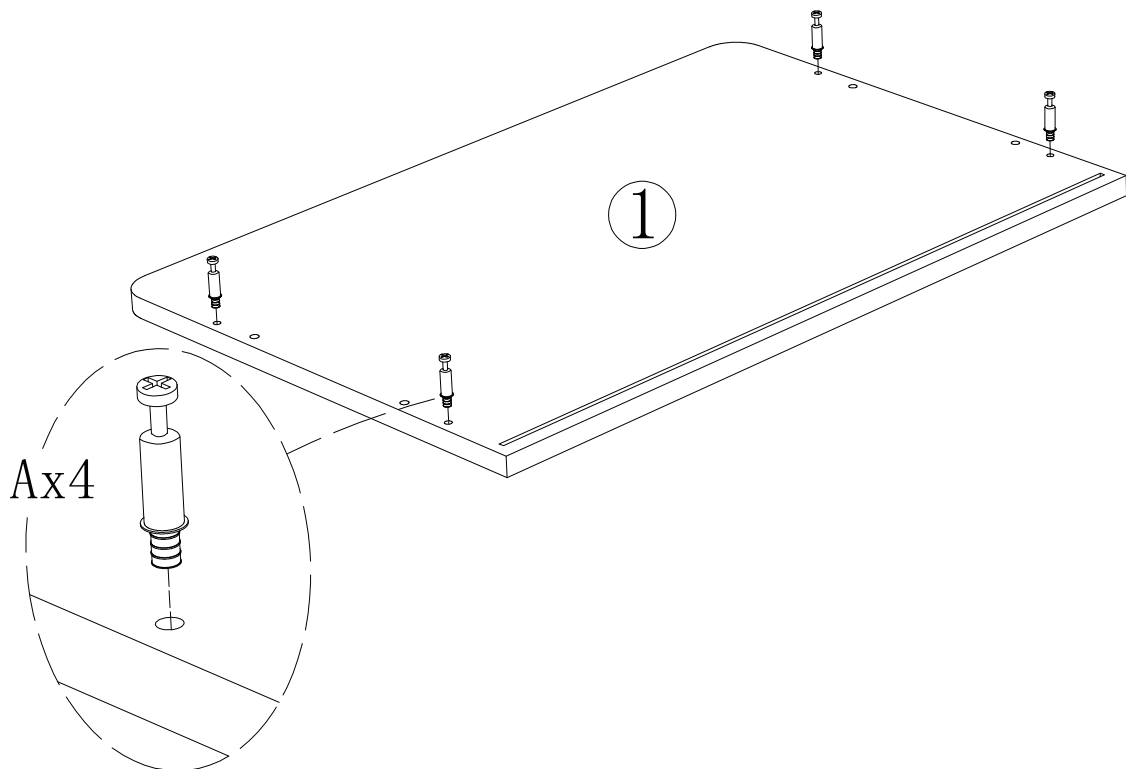
Parts List (EN) / Teile Liste (DE)

Step 19



Ø6*40mm

Ax4

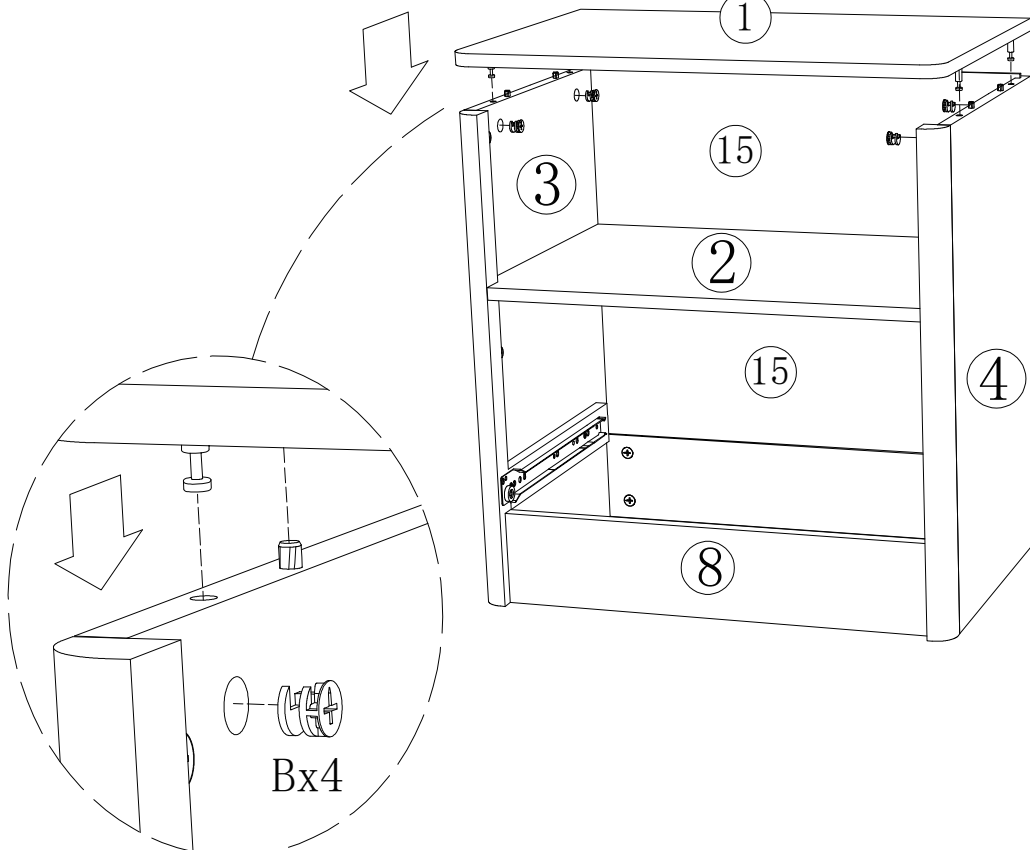


Step 20



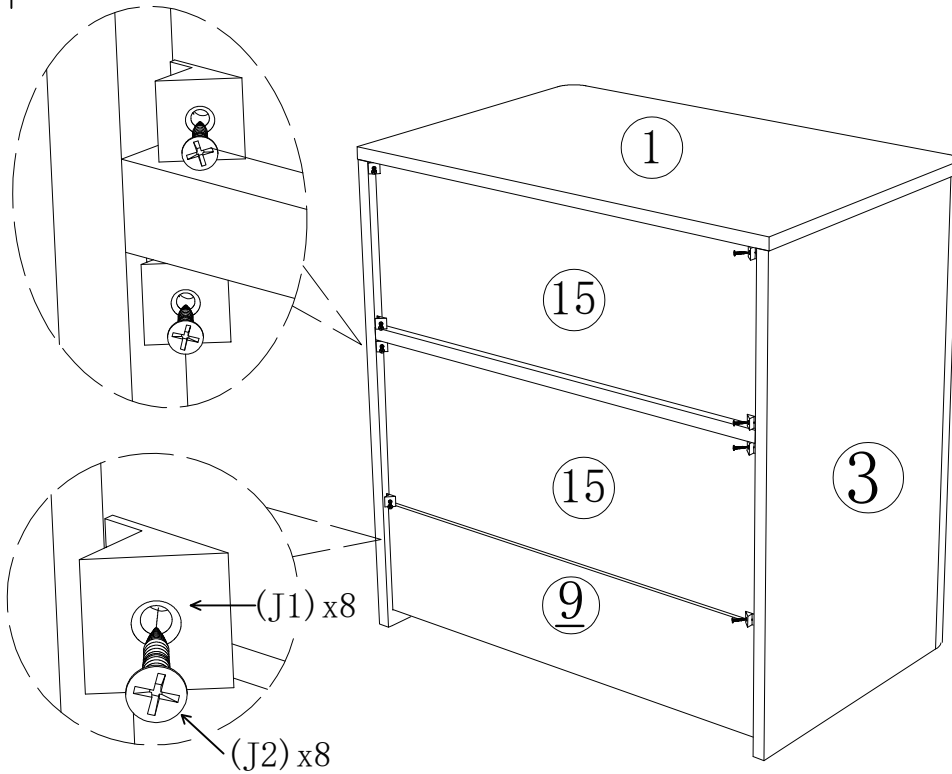
Ø15*9.5mm

Bx4

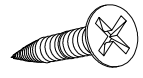


Parts List (EN) / Teile Liste (DE)

Step 21



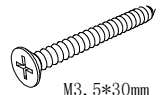
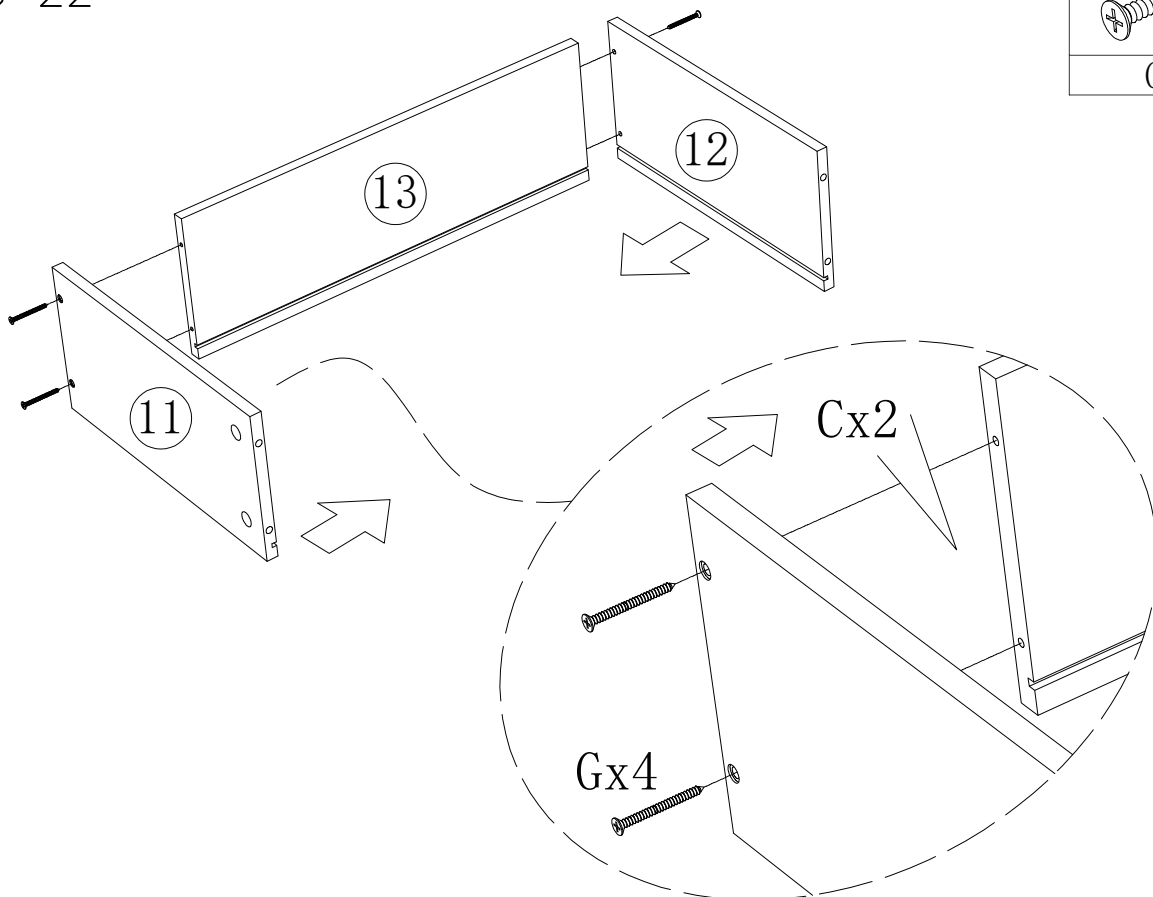
(J1) x8



M3*14mm

(J2) x8

Step 22

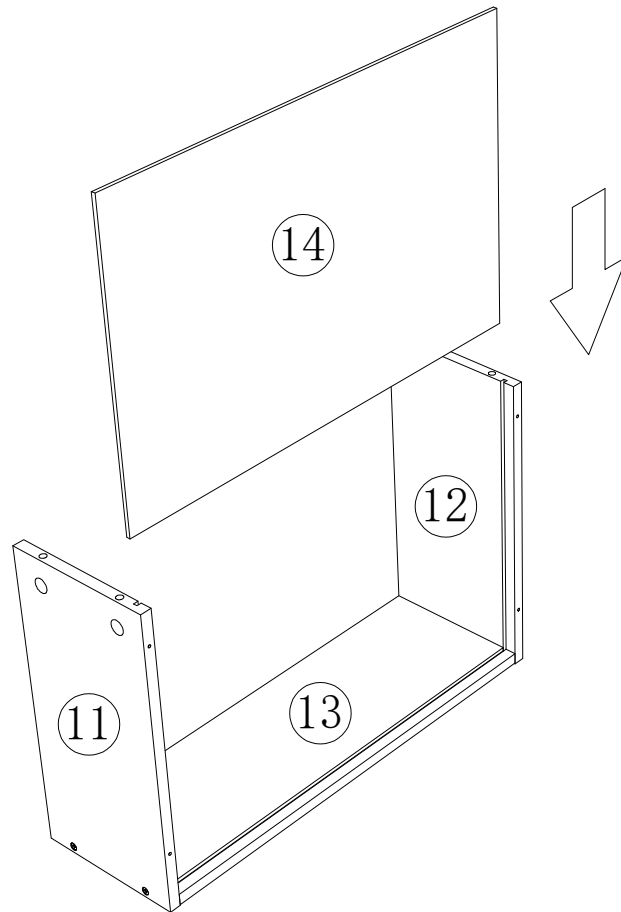


M3.5*30mm

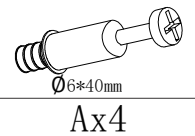
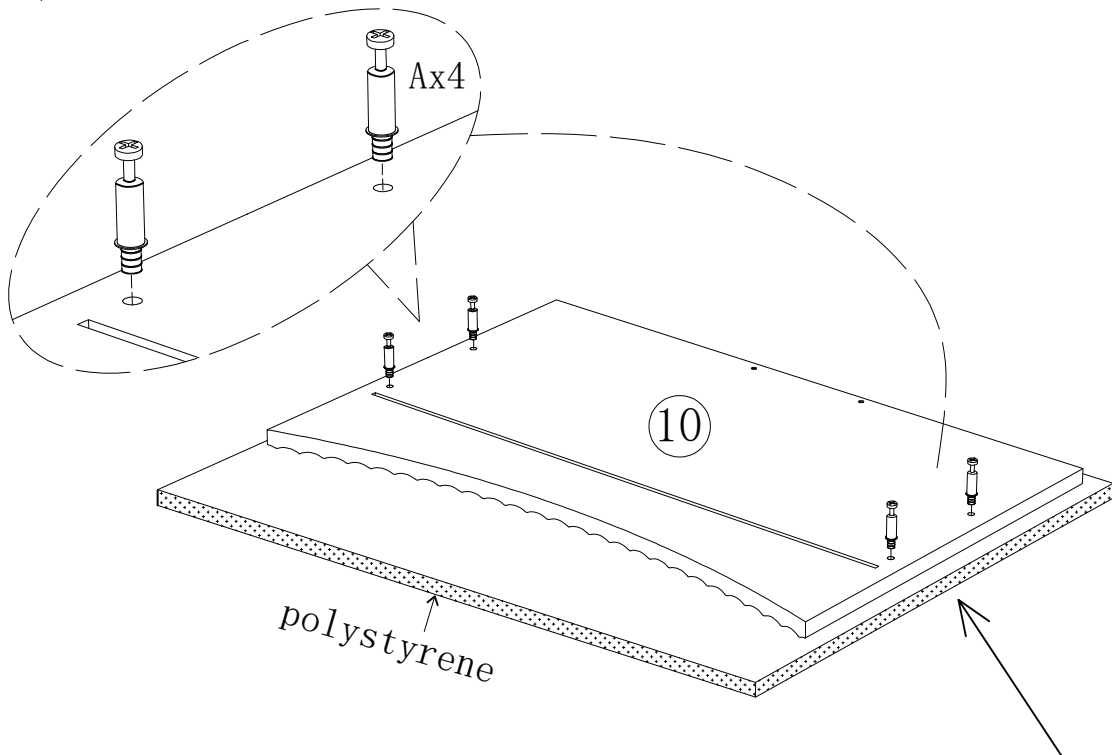
Gx4

Parts List (EN) / Teile Liste (DE)

Step 23



Step 24



polystyrene



Please lay a layer of polystyrene before installation to protect the components from damage

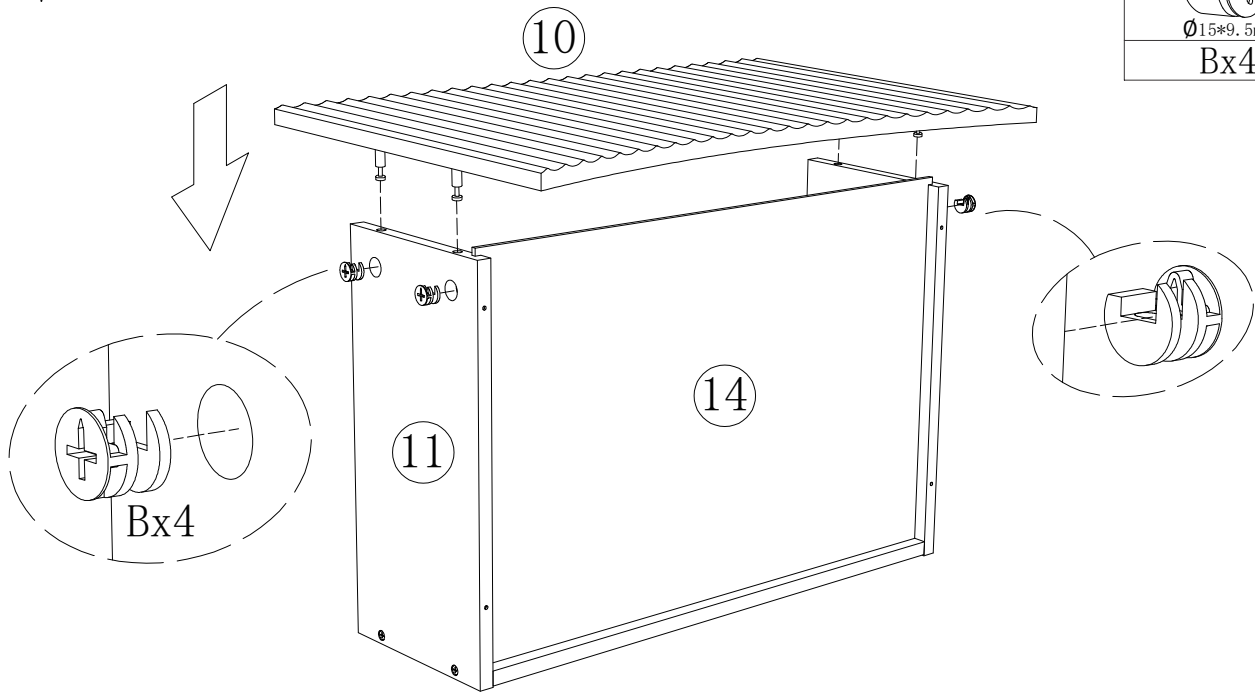
Parts List (EN) / Teile Liste (DE)

Step 25



Ø15*9.5mm

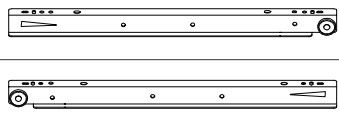
Bx4



Note that the concave side of the wooden board should face down

Step 26

L=300mm



(DR) x1

(DL) x1

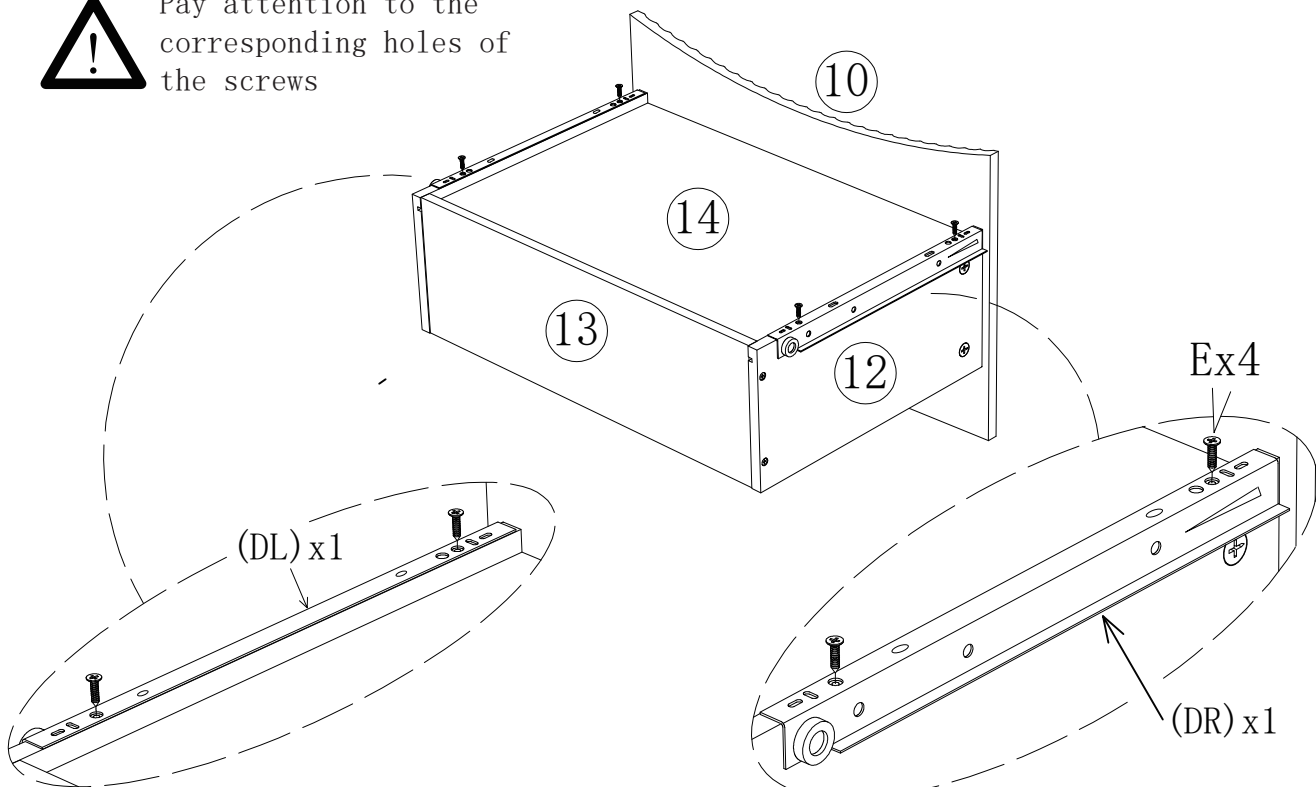


M3.5*12mm

Ex4

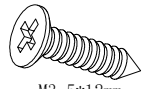
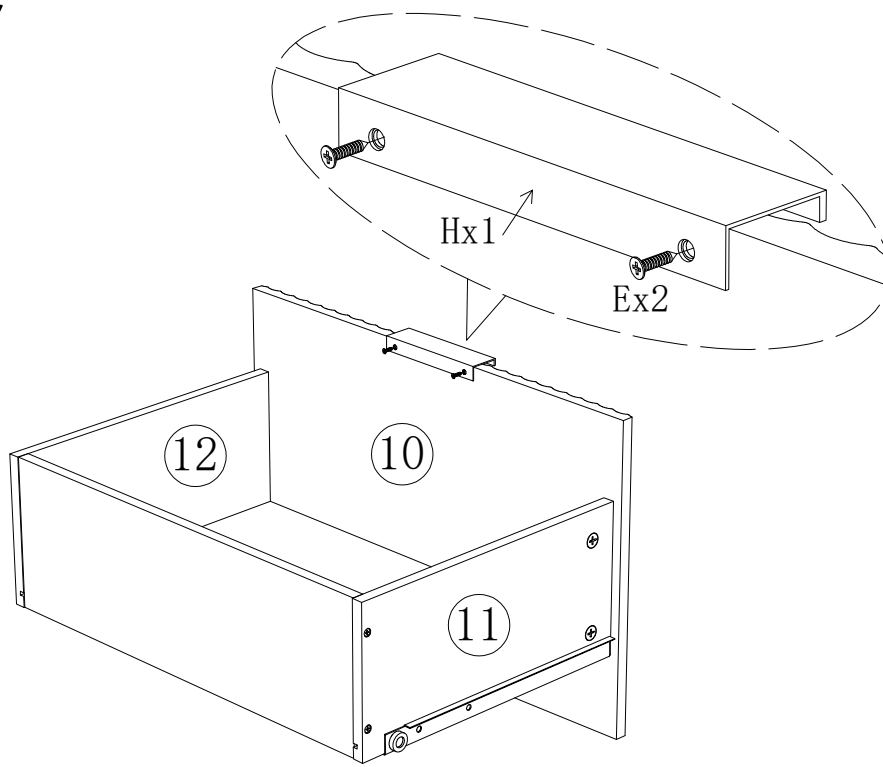


Pay attention to the corresponding holes of the screws



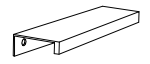
Parts List (EN) / Teile Liste (DE)

Step 27



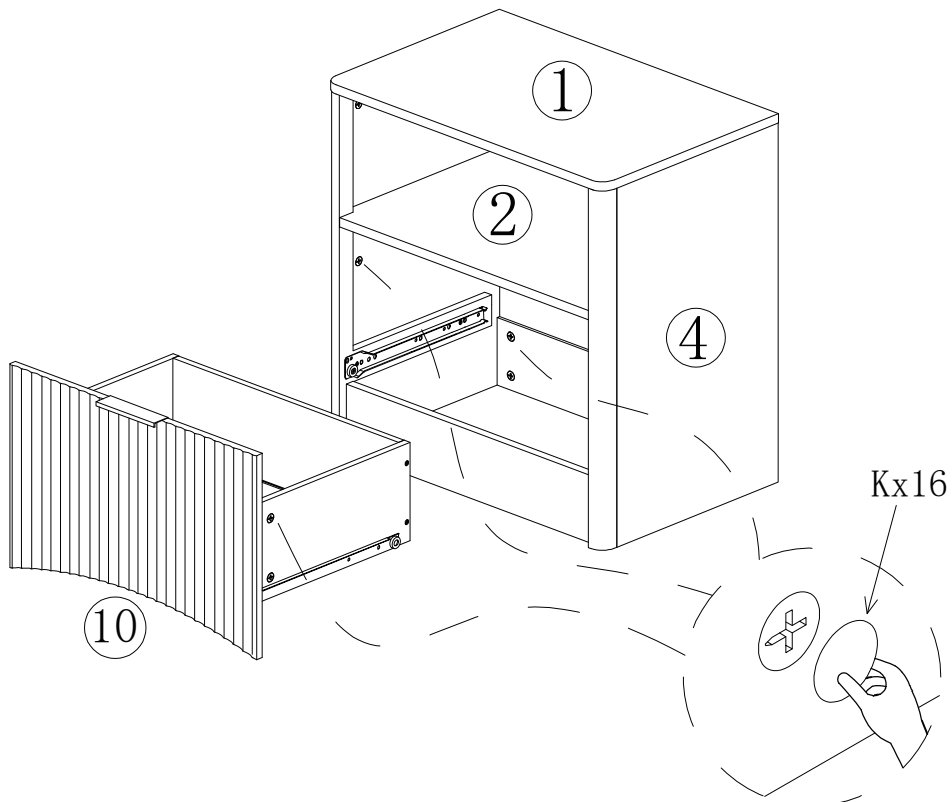
M3.5*12mm

Ex2



Hx1

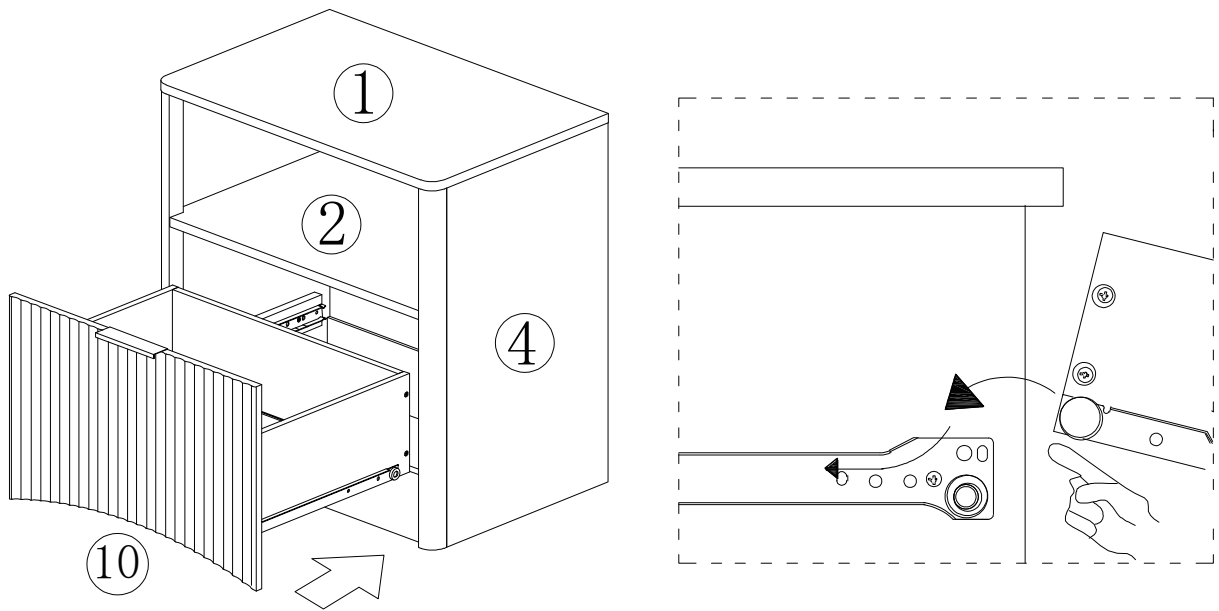
Step 28



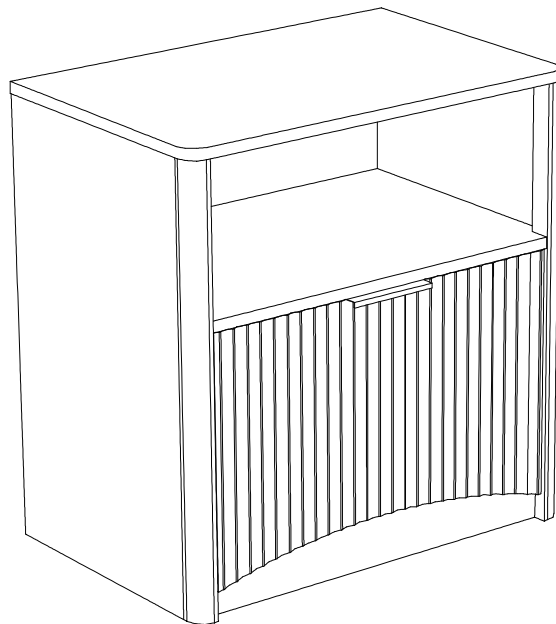
Kx16

Parts List (EN) / Teile Liste (DE)

Step 29



Step 30



— Final —