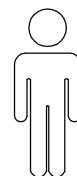
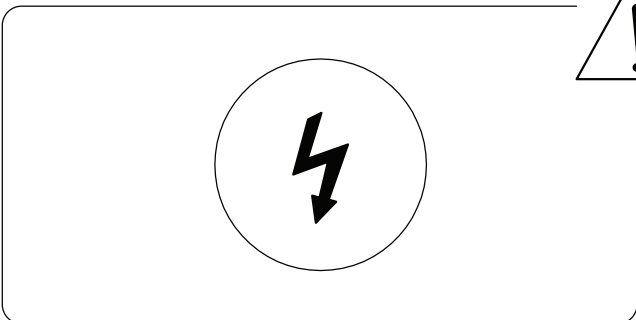


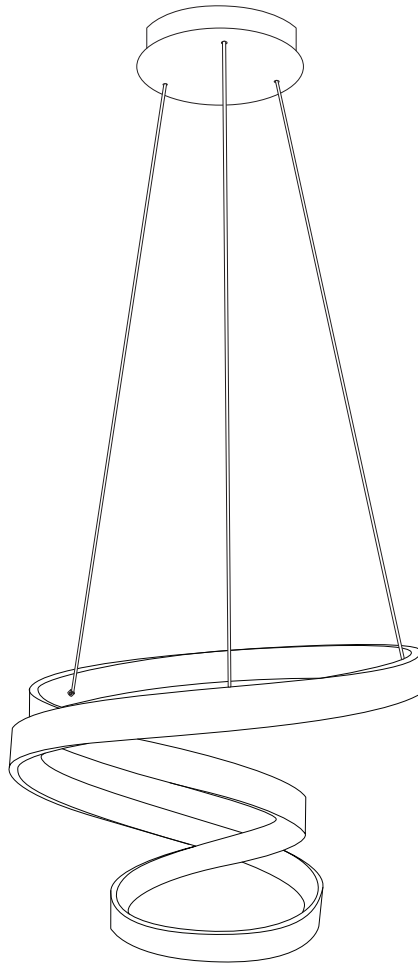
20'



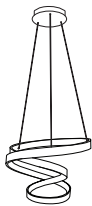
1

1/5

A

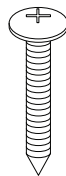


A



x 1

B



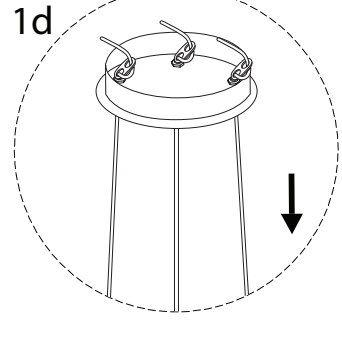
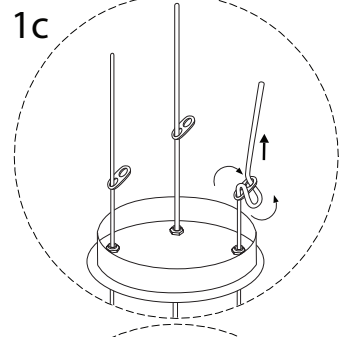
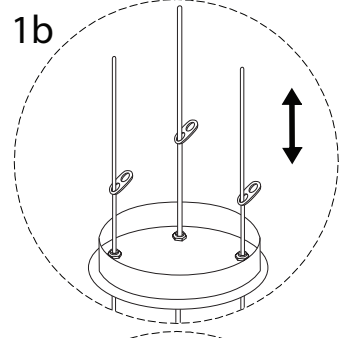
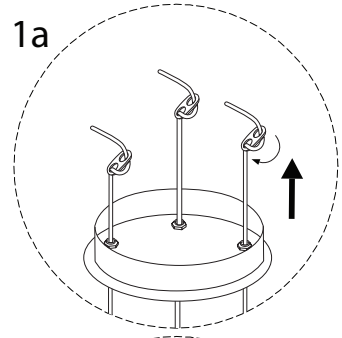
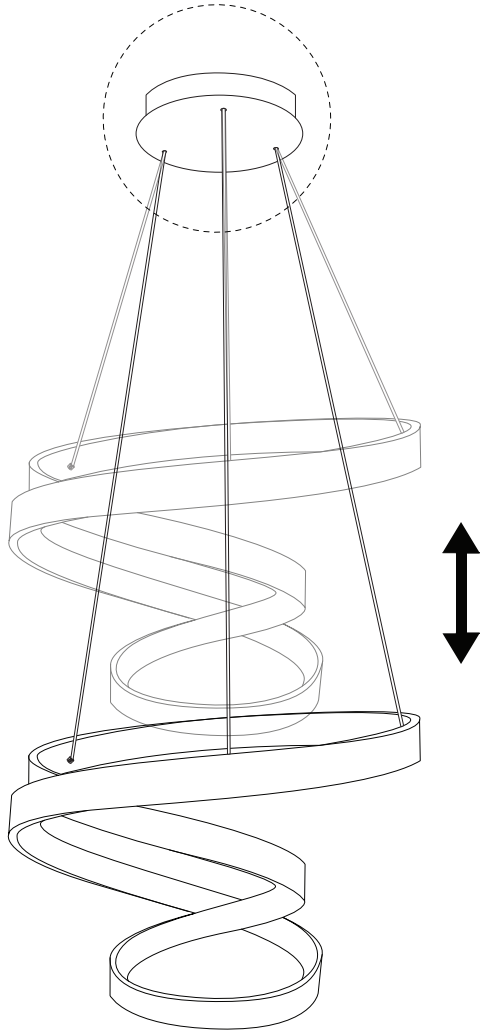
x 2

C



x 2

!

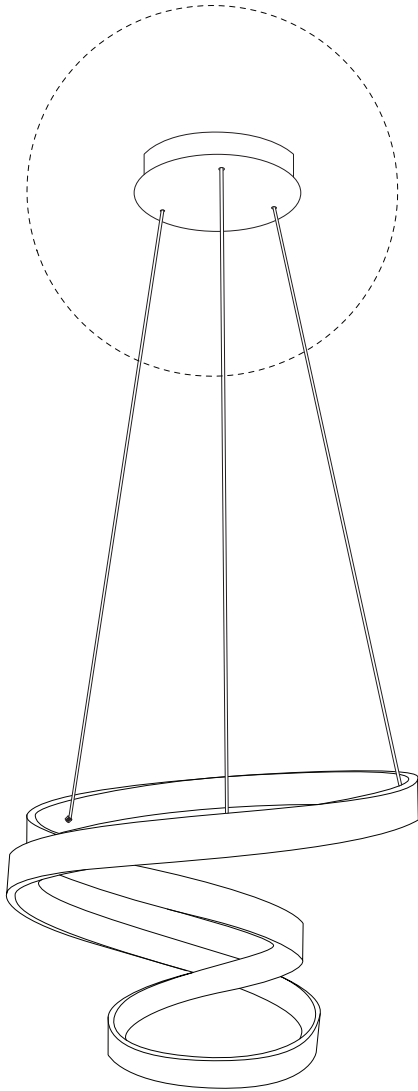


1

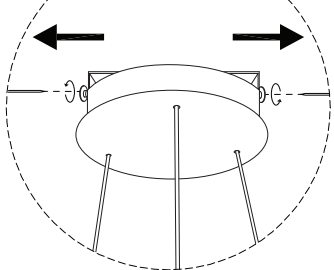
A



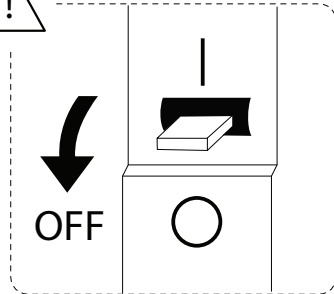
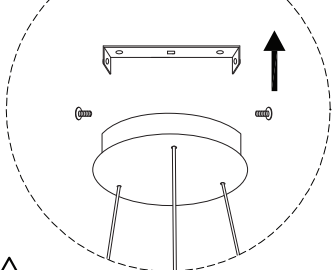
x 1



1a



1b



2

