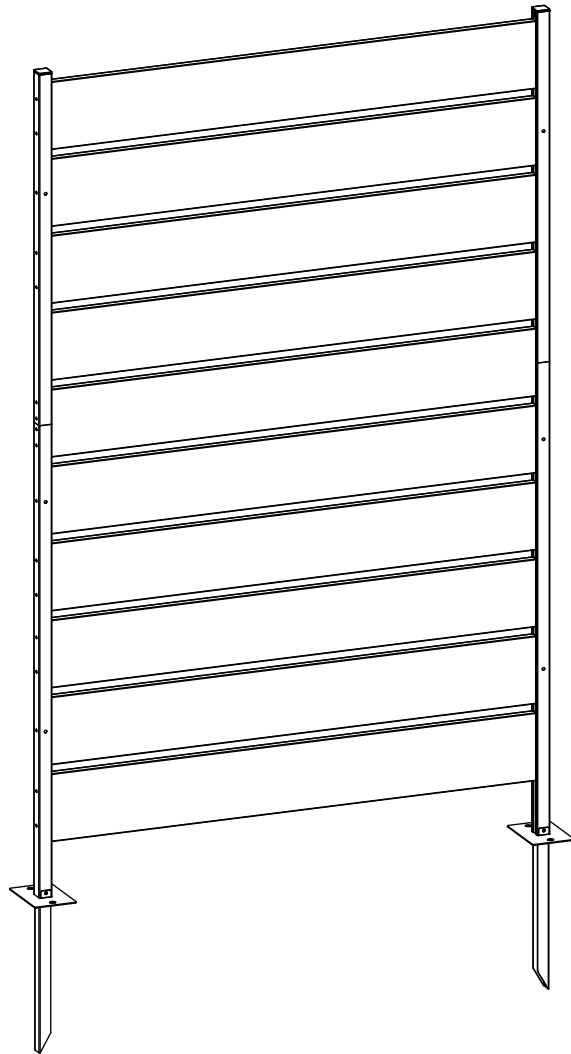


MODEL: IG30101W



OWNER'S MANUAL

Patio Cedar Wood Privacy Screen

TABLE OF CONTENTS

ASSEMBLY GUIDE.....02
USING YOUR PRODUCT.....03

June 11, 2025

QUESTIONS?



E-mail: support@modernshade.org



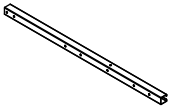
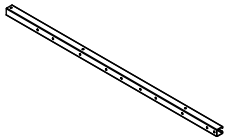
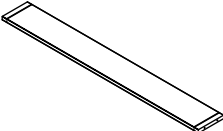
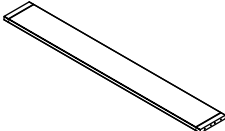
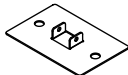
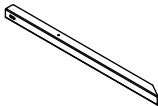
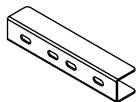
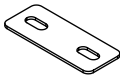
Toll Free Number: 1-888-666-3070




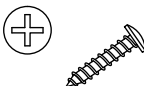
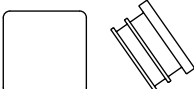
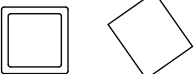
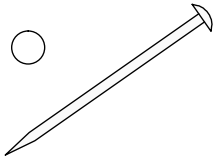
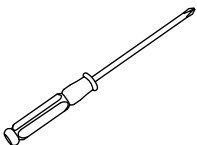
Mon-Fri: 9:00 AM - 5:00 PM PST.

ASSEMBLY GUIDE

PARTS LIST

A Upper support (2 pieces) 	B Lower support (2 pieces) 	C1 Fence 1 (9 pieces) 	C2 Fence 2 (1 piece) 	D Base (2 pieces) 	E1 Connector 1 (2 pieces) 
P0050008501	P0050008601	P0150000901	P0150001001	P0030001001	P0060010401
E2 Connector 2 (2 pieces) 	E3 Connector 3 (3 pieces) 				
P0060010501	P0060010601				

HARDWARE

AA Bolt M5*10 (4+1 pieces) 	BB Bolt M5*25 (34+2 pieces) 	CC Plastic plug (2 pieces) 	DD Plastic spacer (18 pieces) 	EE Stake Ø8*180mm (4 pieces) 	FF Screw driver (1 piece) 
H0008008183	H0008008184	H0008008185	H0008008186	H0008008009	H0008008097

IMPORTANT:

This instruction manual contains important information necessary for the proper assembly and safe use of the product.

Read and follow all warnings and instructions before assembling and using the product.

Follow all warnings and instructions when using the product.

Keep this manual for future reference.

Installer/Assembler: leave these instructions with the consumer.

SAFETY ALERT KEY

DANGER

Indicates a hazardous situation that, if not avoided, will result in death or serious injury.

WARNING

Indicates a hazardous situation that, if not avoided, could result in death or serious injury.

CAUTION

Indicates a hazardous situation that, if not avoided, could result in minor or moderate injury.

NOTICE

Indicates information considered important, but not hazard-related (e.g.messages related to property damage).

ASSEMBLY INSTRUCTIONS

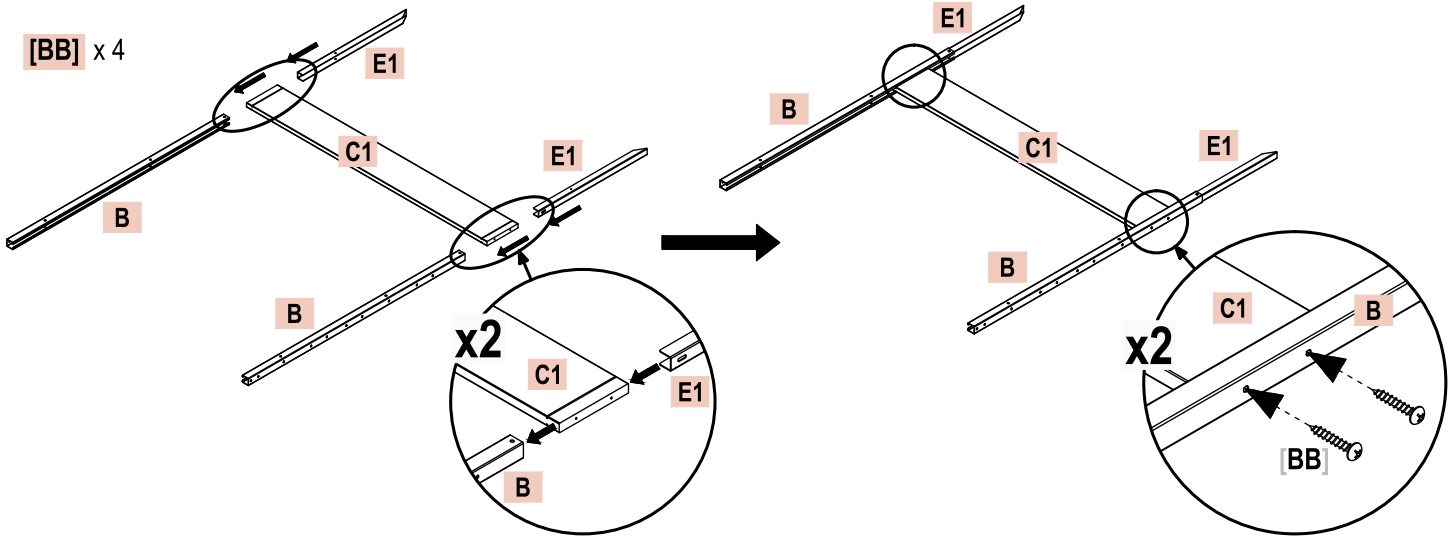
•Please carefully unpack each of the components and hardware. check the components against the parts list and make sure there are no missing parts. lay pieces on cardboard or a soft mat to help protect the pieces from scratches.

⚠ CAUTION

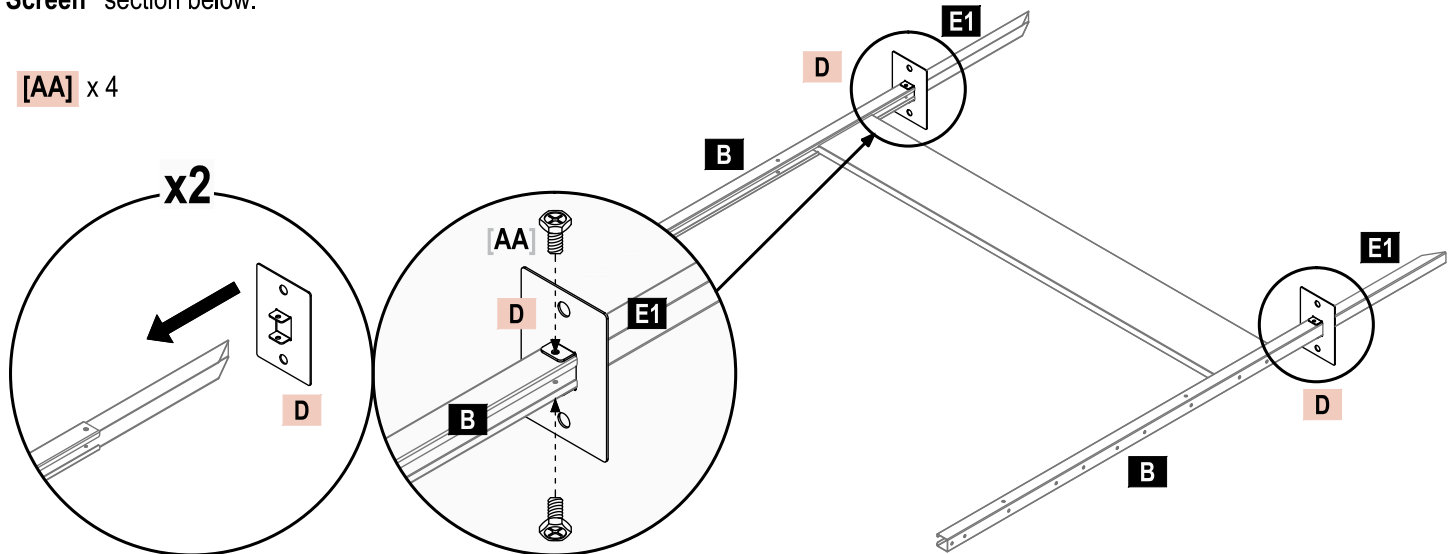
Watch for sharp edges when handling the pieces, wear gloves to avoid injury.

- For ease of assembly, it is recommended to have 3 or more people and allow enough time to completely finish the assembly. assembly can take 6-8 hours. a step-ladder is required for assembly (not included).
- Follow step by step instructions, and follow all safety warnings provided with your tools.
- DO NOT tighten screws until all the screws and washers are properly installed. Tighten screws securely, do not over tighten.
- product should not be used in inclement weather and high winds.

STEP 01 Slide connector **E1** onto fence **C1**, then attach them to lower support **B** from two ends. Use two (2) **[BB]** bolts to secure the assembly in two sides. During assembly, please pay attention to distinguish the downward direction of **B**. The top hole of **E1** should share one screw with the first hole from the bottom of **B**.

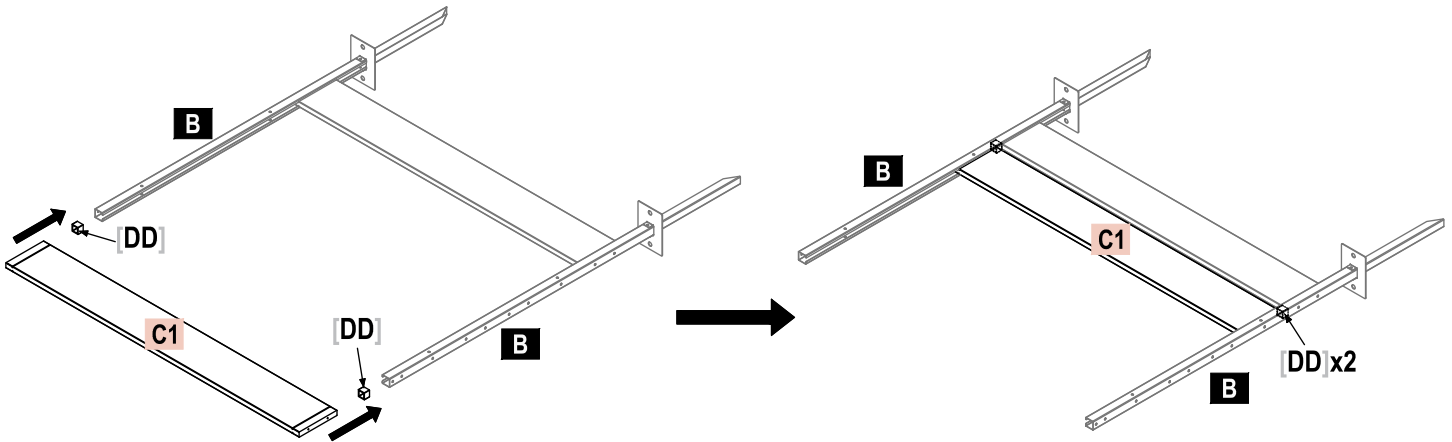


STEP 02 Slide base **D** onto connector **E1**, securing with two (2) **[AA]** bolts. Repeat with the other base **D**. If multiple privacy screens are to be installed, **DO NOT** install base **D** at this step. The installation of Base **D** should be carried out according to the instructions provided in the "Extended Patio Cedar Wood Privacy Screen" section below.



STEP 03 Slide two (2) plastic spacer **[DD]** onto lower support **[B]**, then slide the other fence **[C1]** into lower support **[B]**.

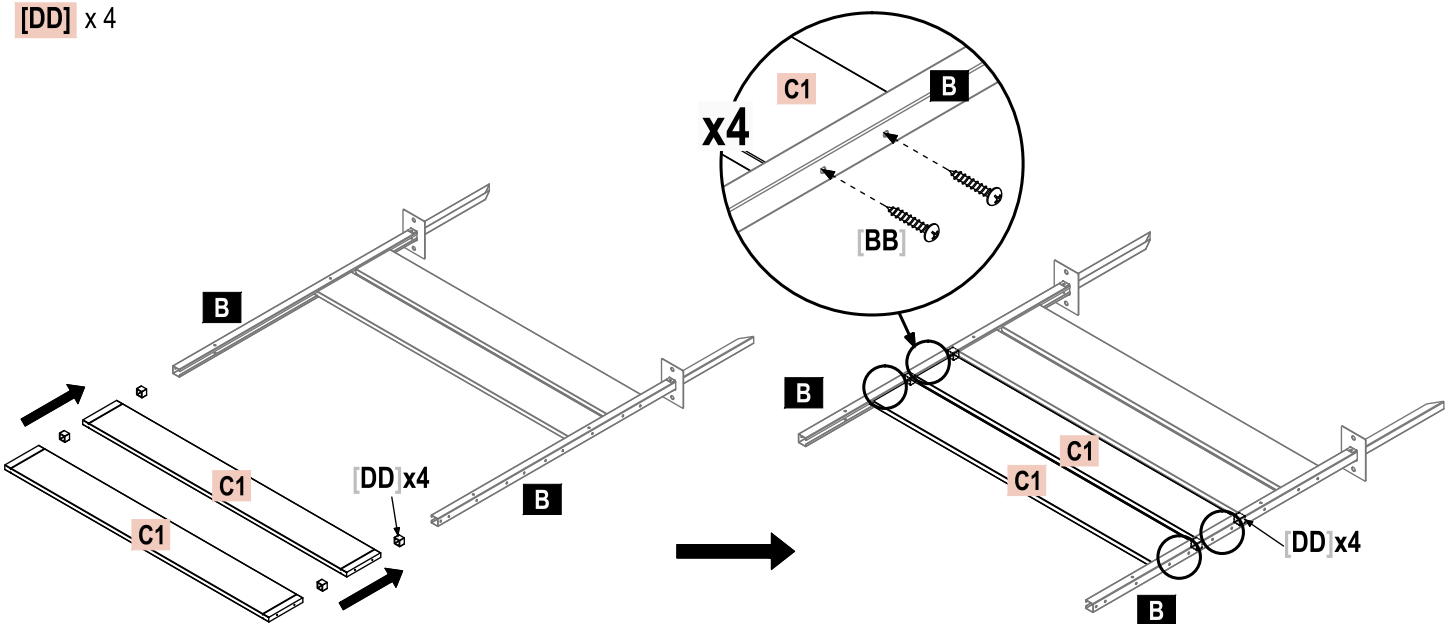
[DD] x 2



STEP 04 Slide two (2) plastic spacer **[DD]** onto lower support **[B]**, then slide the other fence **[C1]** into lower support **[B]**. repeat with another set. Secure with two (2) **[BB]** bolts on each side of fence **[C1]**.

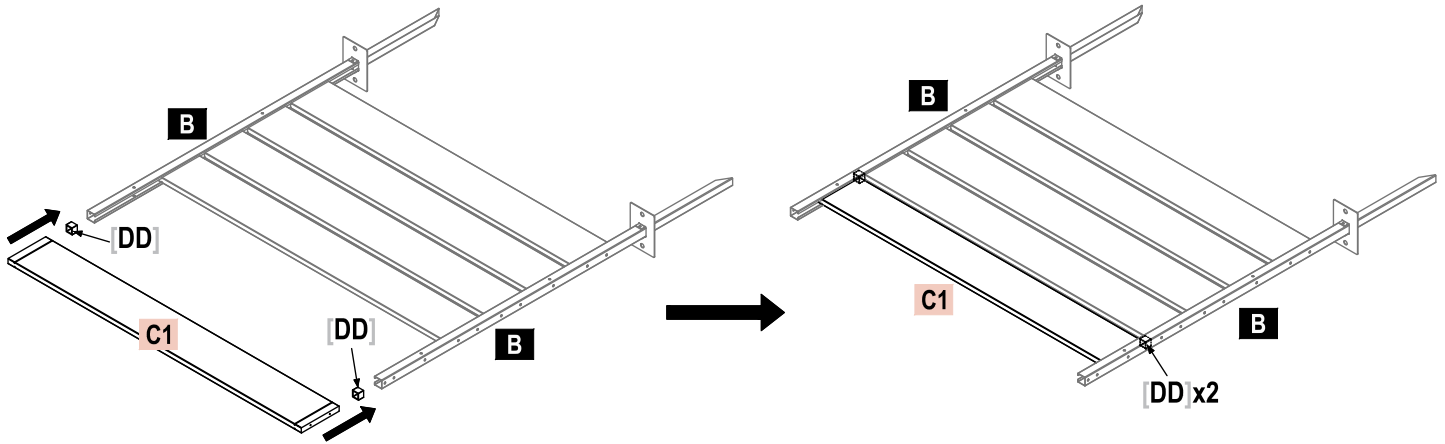
[BB] x 8

[DD] x 4



STEP 05 Slide two (2) plastic spacer [DD] onto lower support [B], then slide the other fence [C1] into lower support [B].

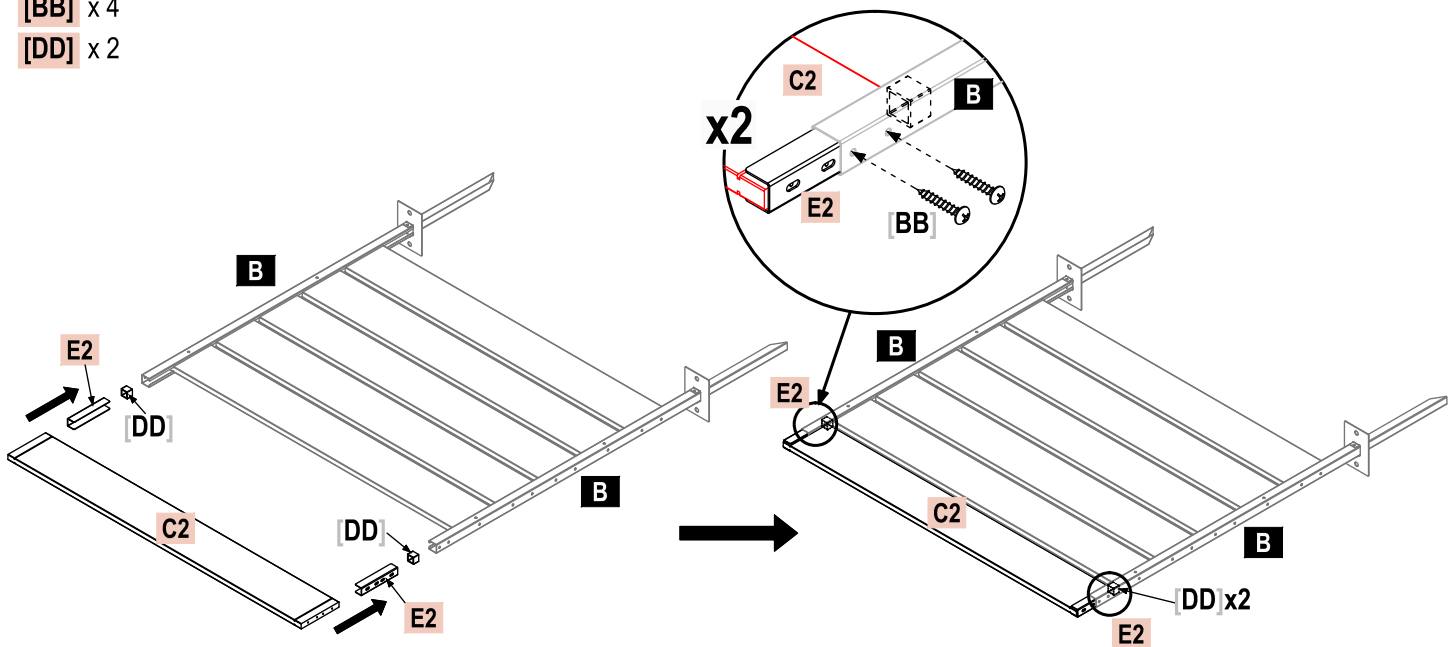
[DD] x 2



STEP 06 Slide two (2) plastic spacer [DD] onto lower support [B], then slide connector [E2] with fence [C2] into lower support [B]. Secure with two (2) [BB] bolts on each sides.

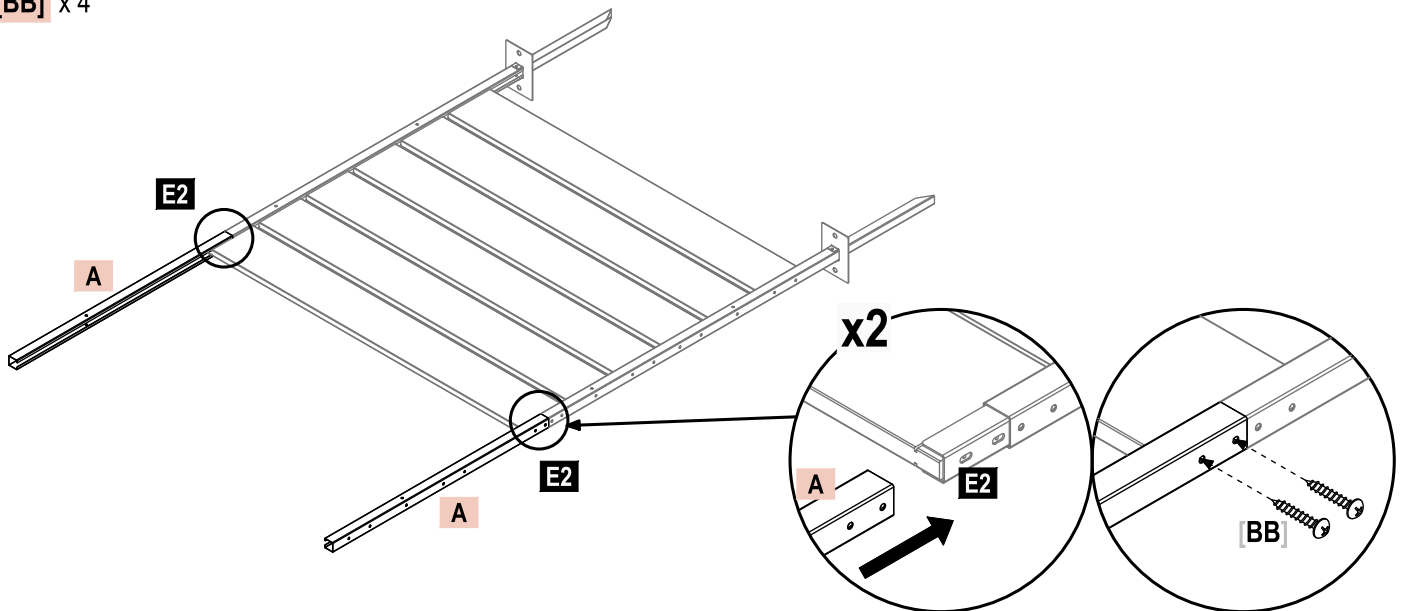
[BB] x 4

[DD] x 2



STEP 07 Slide upper support **A** to connector **E2**. Repeat with the other support **A**. Secure with two (2) **BB** bolts on each side.

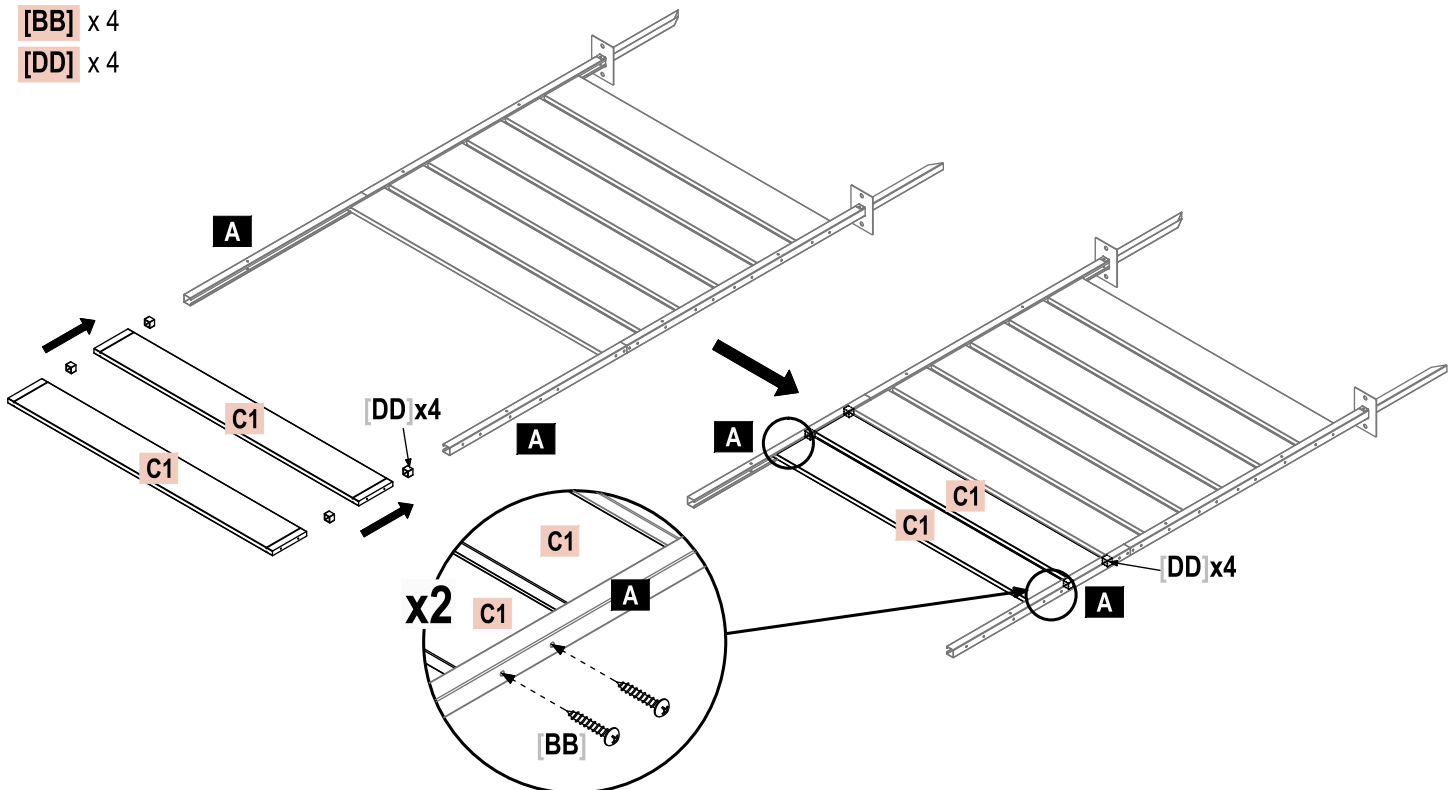
[BB] x 4



STEP 08 Slide two (2) plastic spacer **DD** onto upper support **A**, then slide the other fence **C1** into upper support **A**. repeat with another set. Secure with two (2) **BB** bolts on each side of fence **C1**.

[BB] x 4

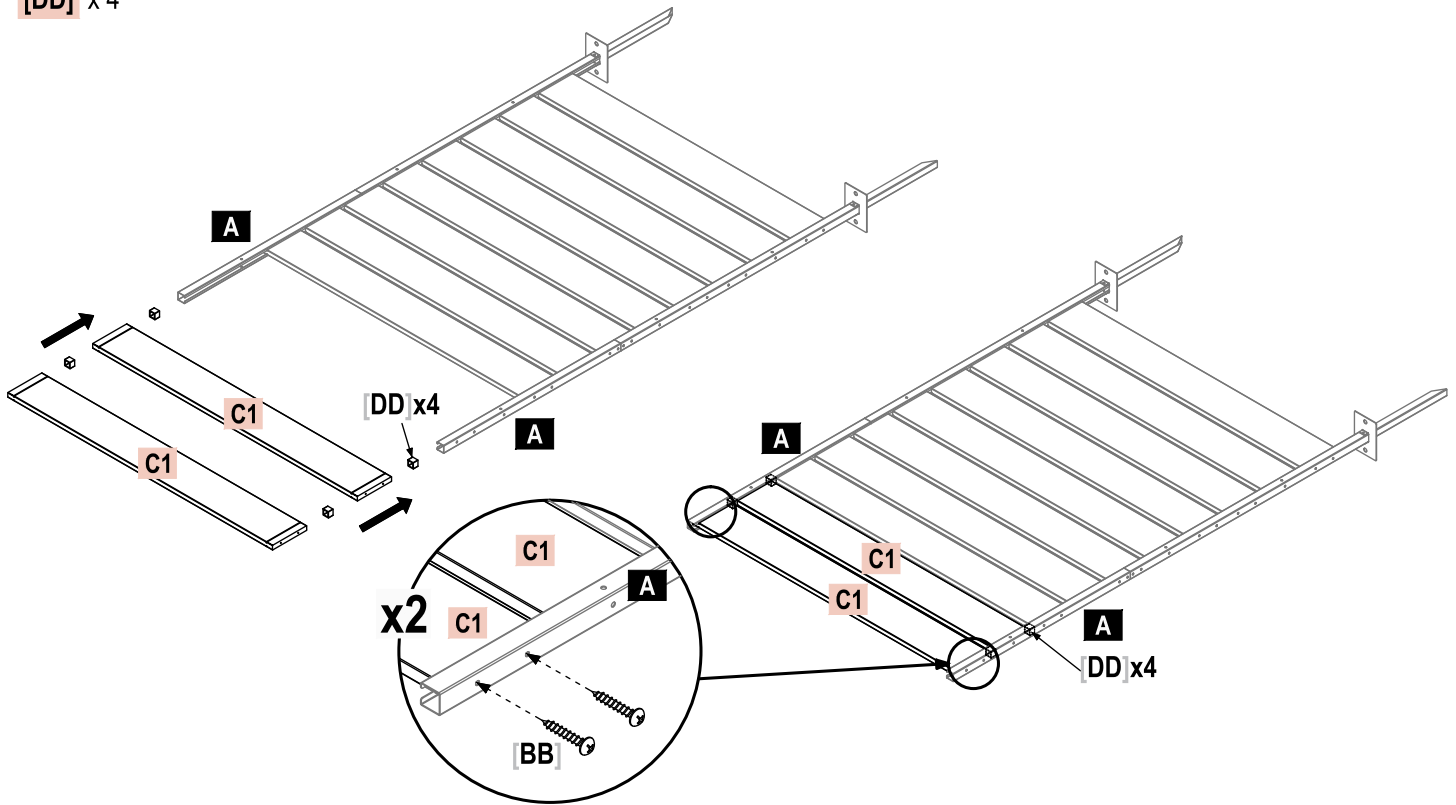
[DD] x 4



STEP 09 Slide two (2) plastic spacer **[DD]** onto upper support **[A]**, then slide the other fence **[C1]** into upper support **[A]**. repeat with another set. Secure with two (2) **[BB]** bolts on each side of fence **[C1]**.

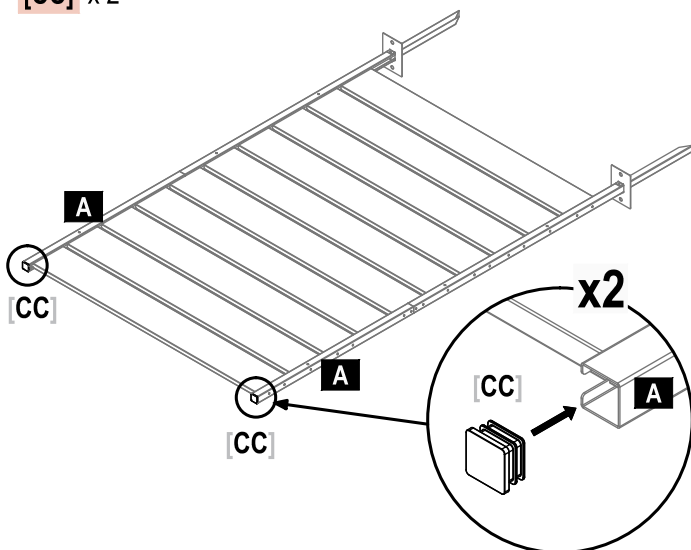
[BB] x 4

[DD] x 4

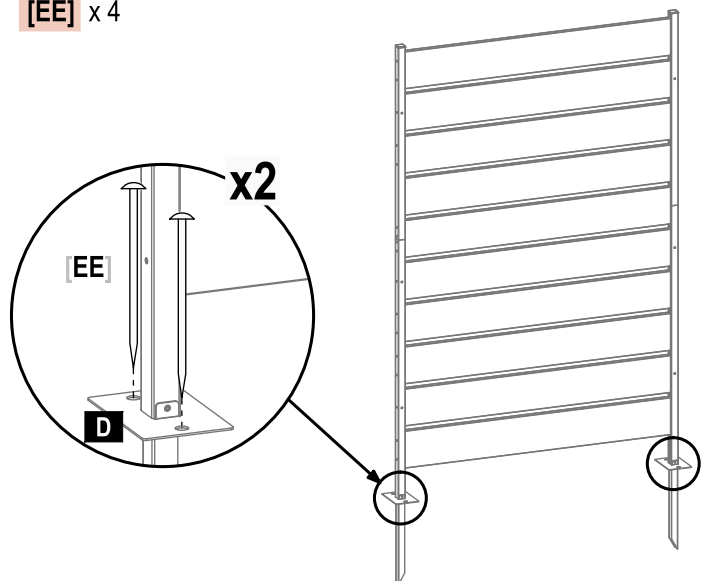


STEP 10 Attach one (1) plastic plug **[CC]** to each upper support **[A]**. **STEP 11** Use two (2) **[EE]** stakes to anchor each base **[D]**.

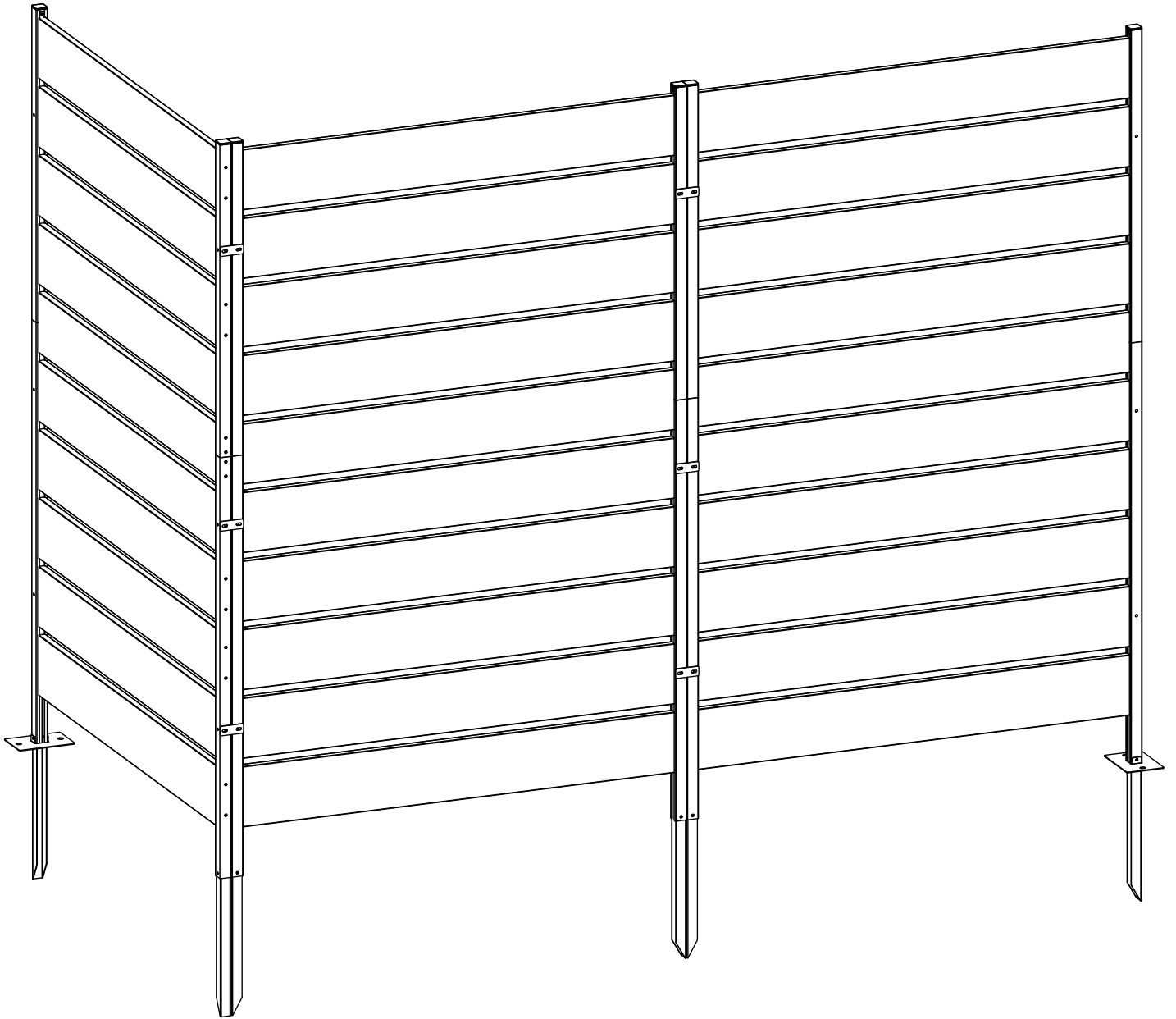
[CC] x 2



[EE] x 4



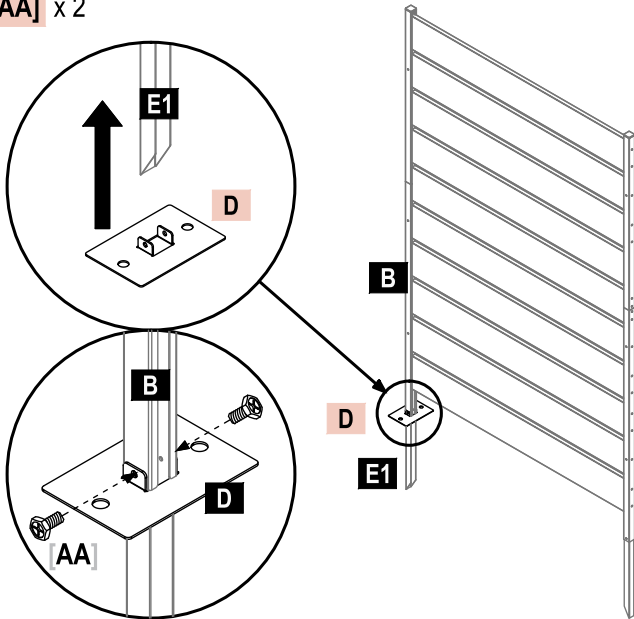
MODEL: IG30101W



Extended Patio Cedar Wood Privacy Screen

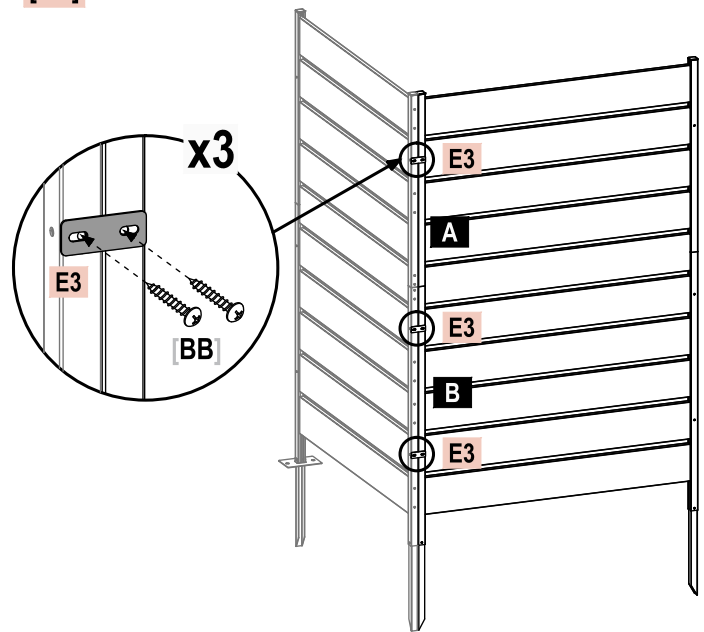
STEP 01 Slide base **D** onto connector **E1**, securing with two (2) **AA** bolts.

[AA] x 2



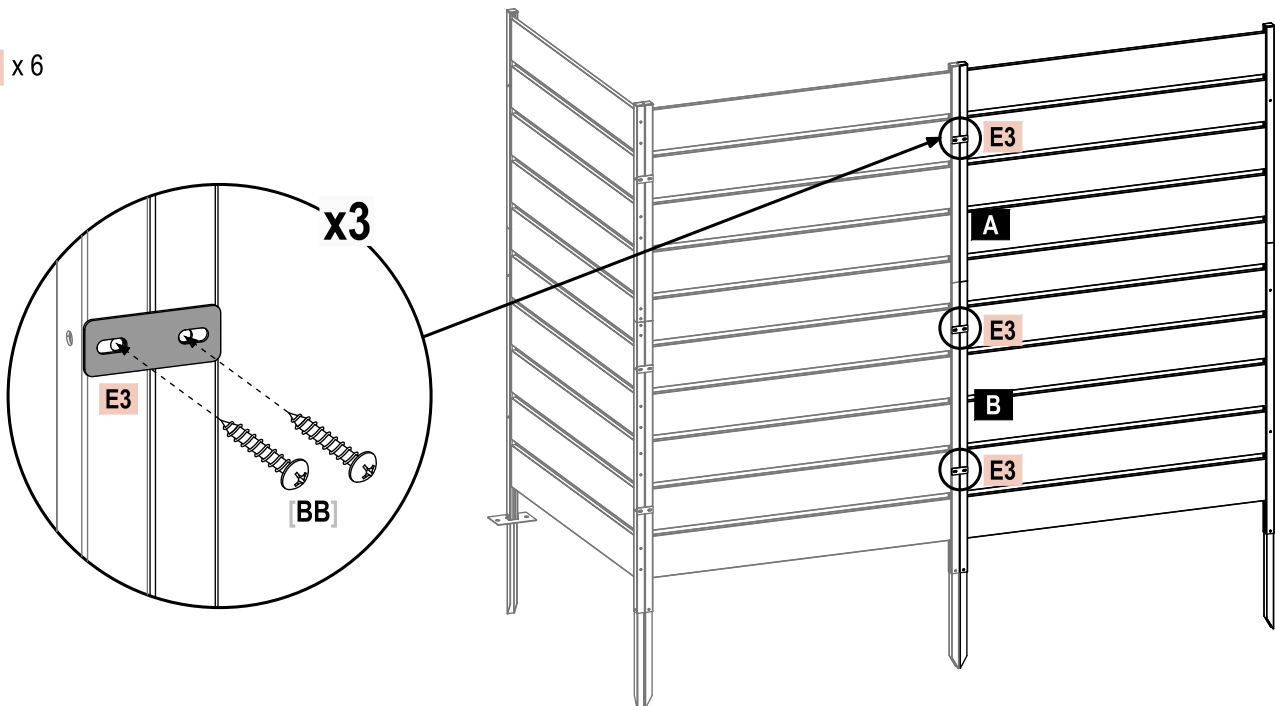
STEP 02 Use two (2) **BB** bolts to attach one (1) connector **E3** to supports **A** and **B** from two privacy screens. Repeat with the other two (2) connectors **E3**.

[BB] x 6



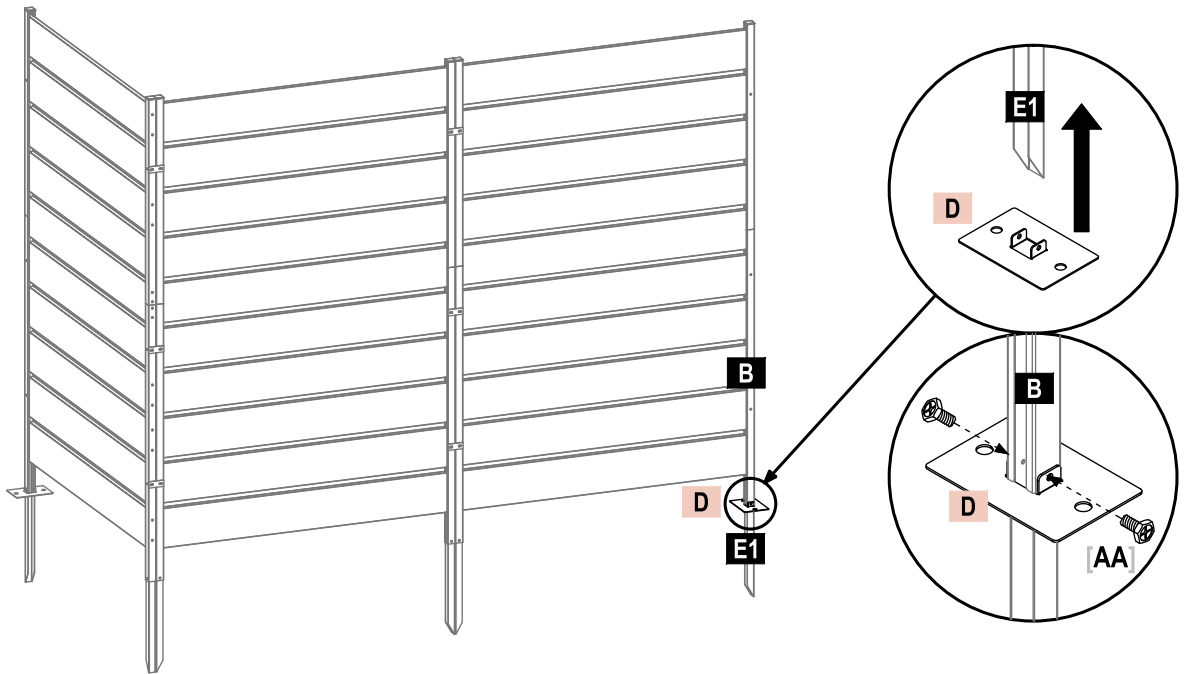
STEP 03 Use two (2) **BB** bolts to attach one (1) connector **E3** to supports **A** and **B** from two extended privacy screens. Repeat with the other two (2) connectors **E3**.

[BB] x 6



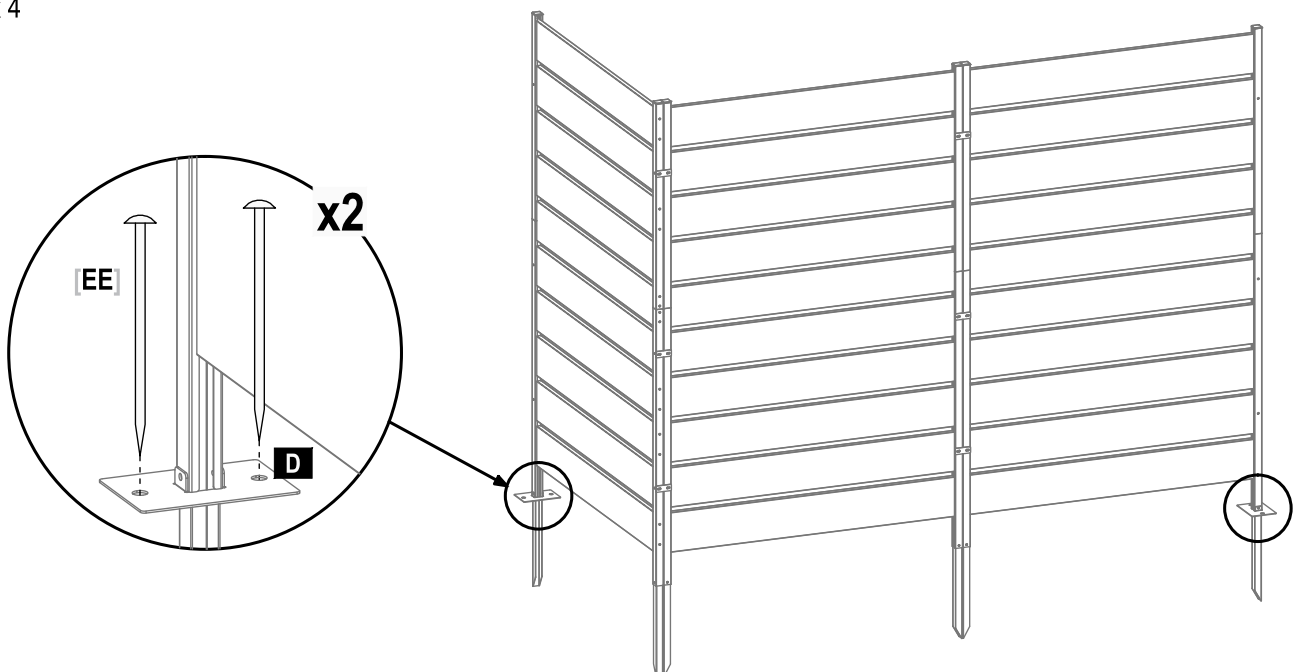
STEP 04 Slide base **D** onto the other connector **E1**, securing with two (2) **[AA]** bolts.

[AA] x 2



STEP 05 Use two (2) **[EE]** stakes to anchor each base **D**.

[EE] x 4



If digging for foundation, please double check for possibility of any underground utilities such as gas, telephone, cable or sprinkler lines. Refer to your local building and city codes, ordinances, neighborhood covenants, or height restrictions regarding this type of structure for guidance on acceptable installation requirements.

LIMITED WARRANTY

We warrants this product against defects in materials and workmanship for a period of one (1) year from the original date of purchase. To the extent any such defects occur, our products will send the appropriate replacement part(s) at no charge.

This warranty does not cover:

- Inspection costs or labor for replacement of any defective parts);
- Incidental or consequential damages;
- Cosmetic defects which DO NOT affect performance;
- Normal wear and tear;
- Damage due to vandalism; acts of nature, including but not limited to wind, storms, hail, floods;
- Improper assembly, installation, or use;
- Discoloration or fading of the finish as a result of exposure to chemicals, spills, pool or salt water
- Corrosion/ rust.

Your product has been designed for safety and quality.

Any modifications made to the original product could compromise its structural integrity or function, and could lead to product failure or personal injury. As such, modifying this product voids any and all warranties.

This product is warranted for RESIDENTIAL USE ONLY, and is not for commercial, contract or other non-residential purposes. Products disclaims all other representations and warranties of any kind, express or implied.

The warranty applies to the original purchaser and is non-transferable. It does not apply to purchases of display models, or when the product is sold on clearance or "as is".

We makes no warranty whatsoever in respect to accessories or parts not supplied with it. This warranty shall apply only within the boundaries of the United States of America and Canada. This warranty gives the original purchaser specific rights, and the original purchaser may also have other rights, which vary from state to state.

