

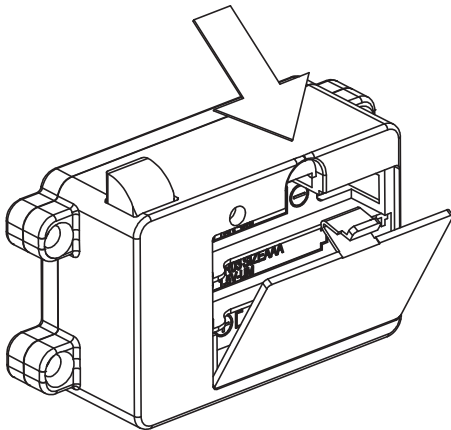
# Product structure decomposition



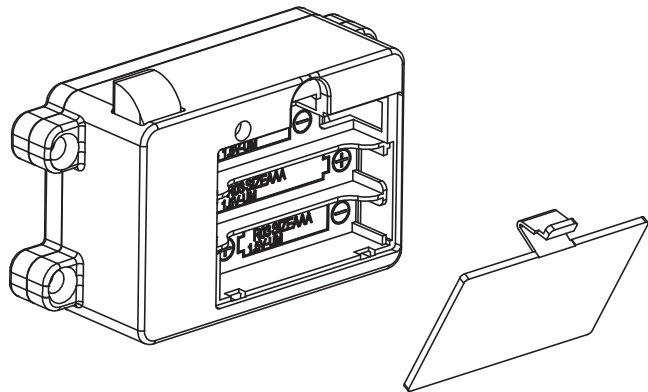


# Electromagnetic lock battery installation diagram

Step 1

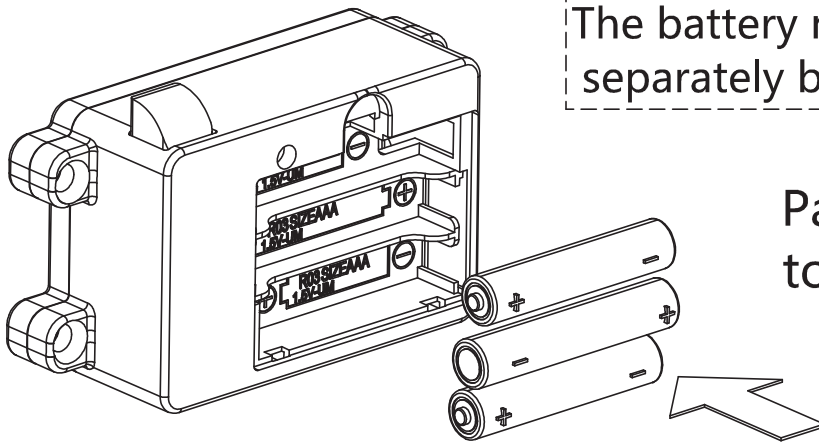


Step 2



Open the battery cover    Move away the battery cover

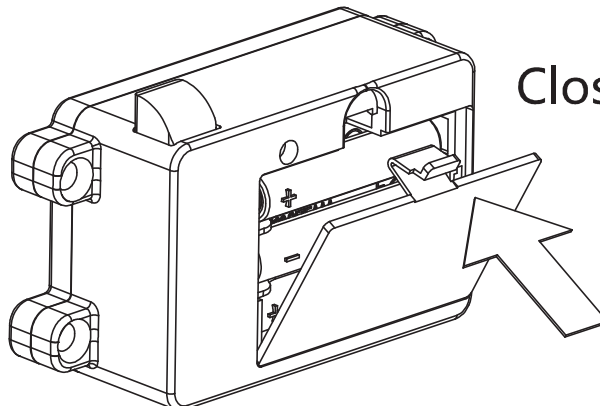
Step 3    Insert three batteries



The battery needs to be purchased separately by the customer.

Pay attention to the +/- markings

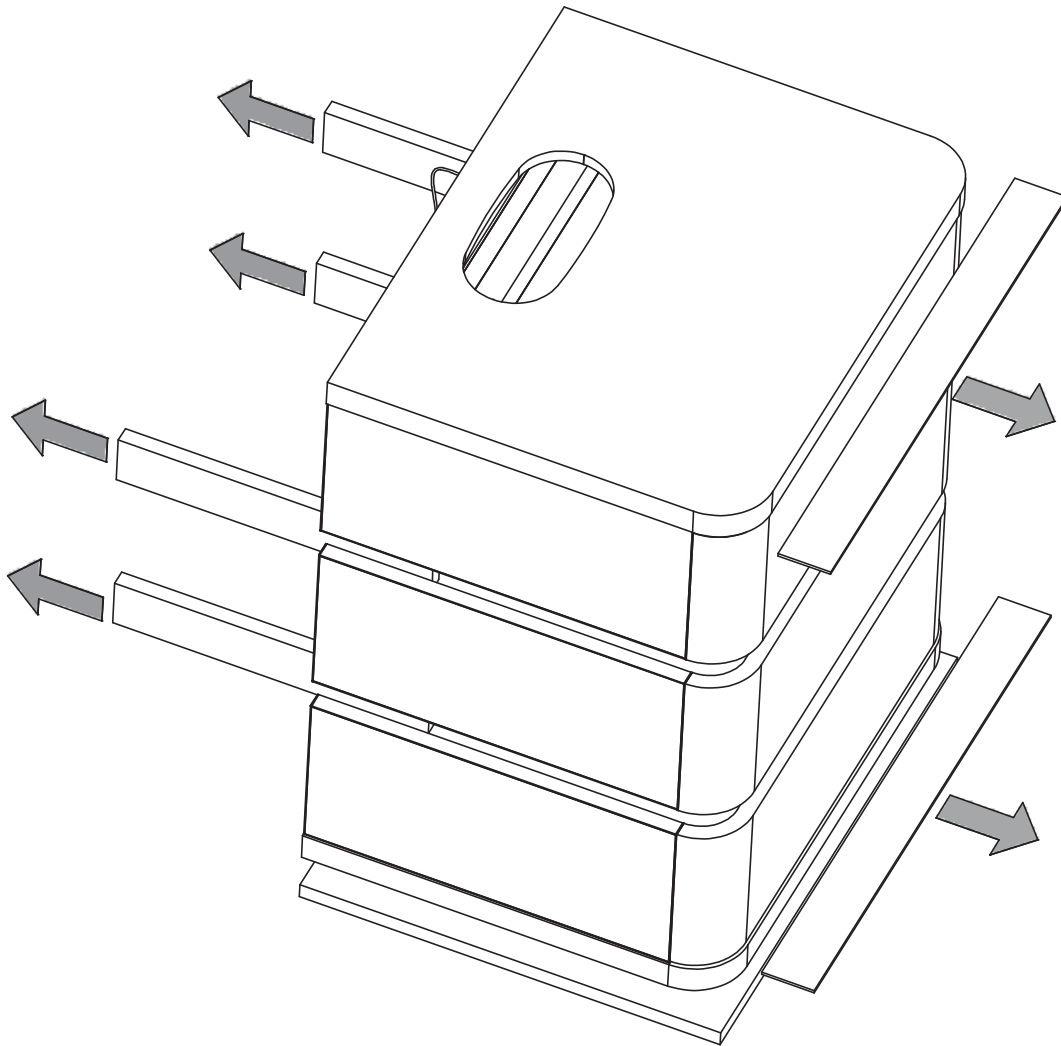
Step 4

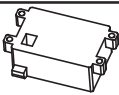



Close the battery cover

## Step1

Remove the protection board,  
The power adapter is in the bottom drawer.

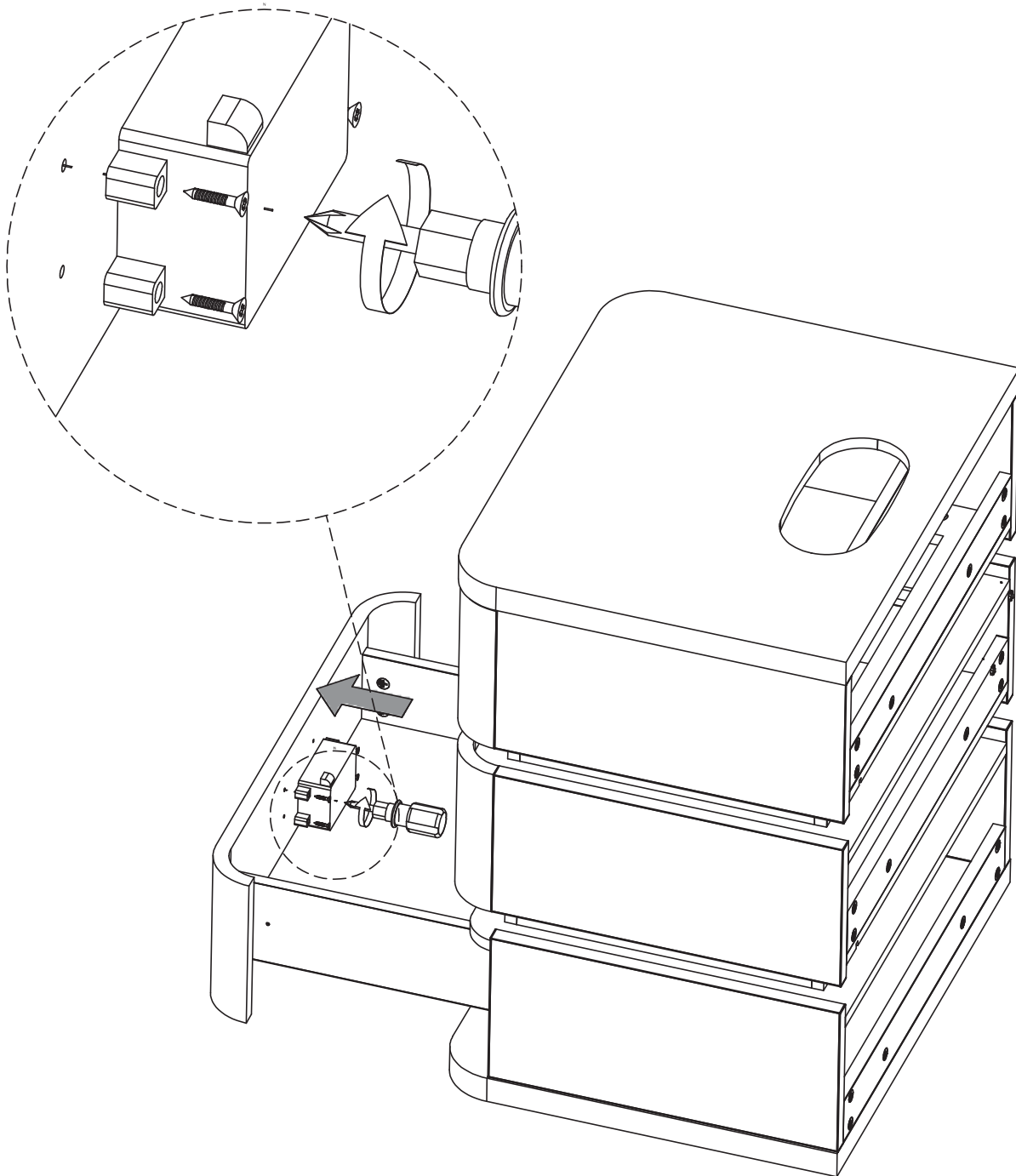


code	diagram	count
A		1
B	 3.5X20mm	4


Step2

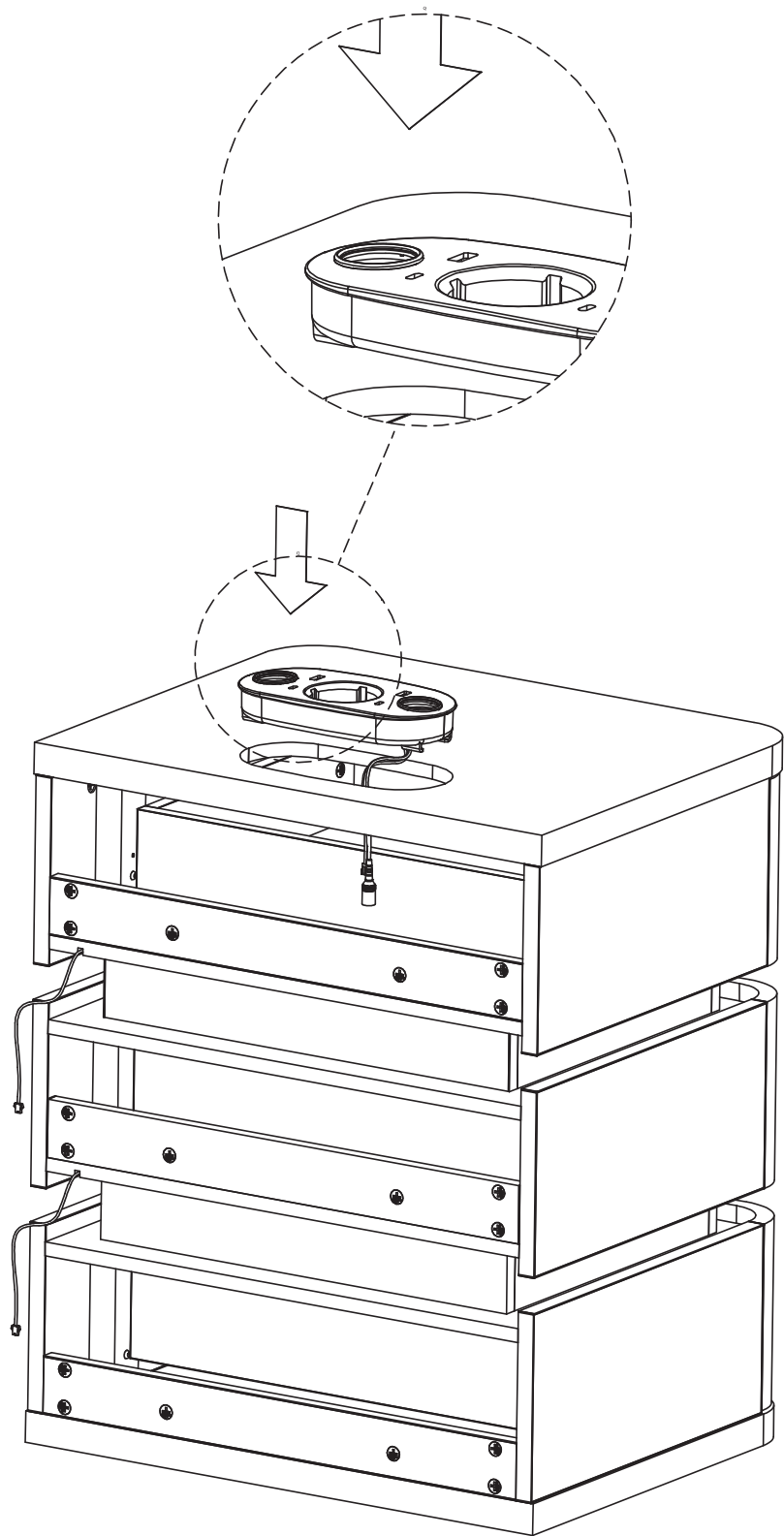
 **warning**



Electromagnetic locks must be installed with the battery in place before being mounted on the drawer.



# Step3

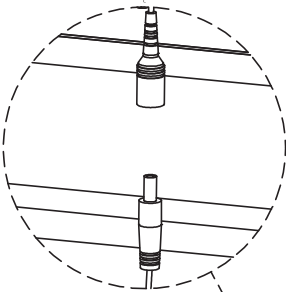
code	diagram	count
C		1



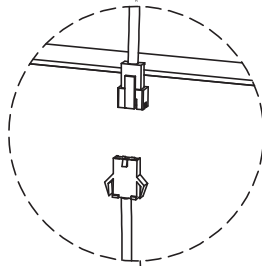
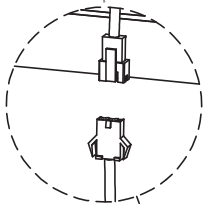
code	diagram	count
C		2
D		1

# Step4

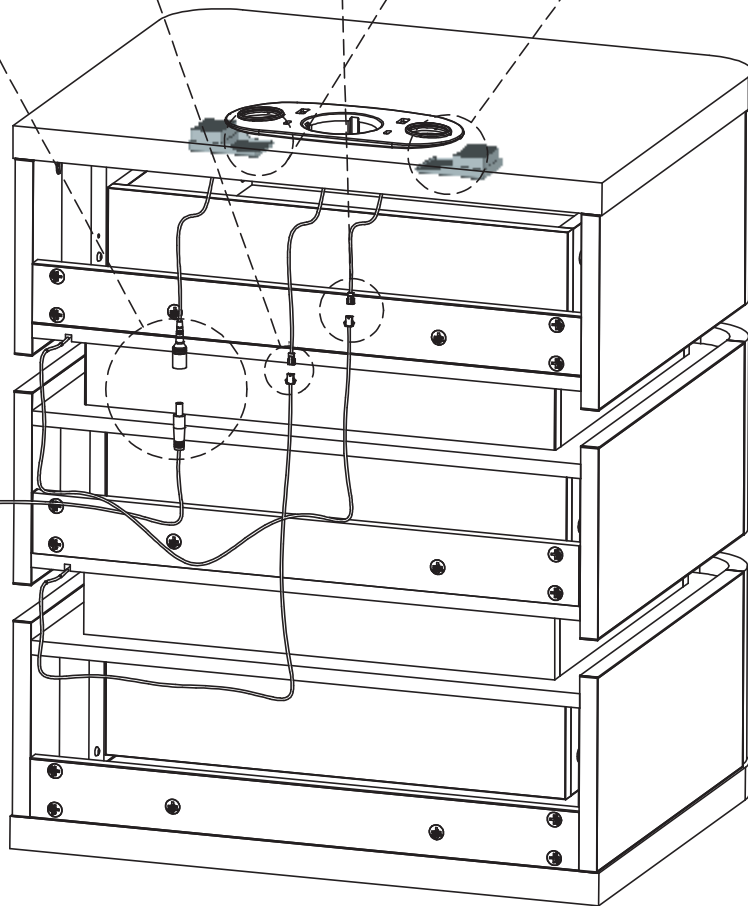
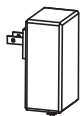
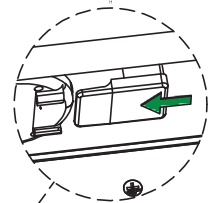
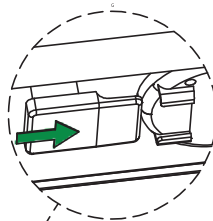
## Step3




## Step2

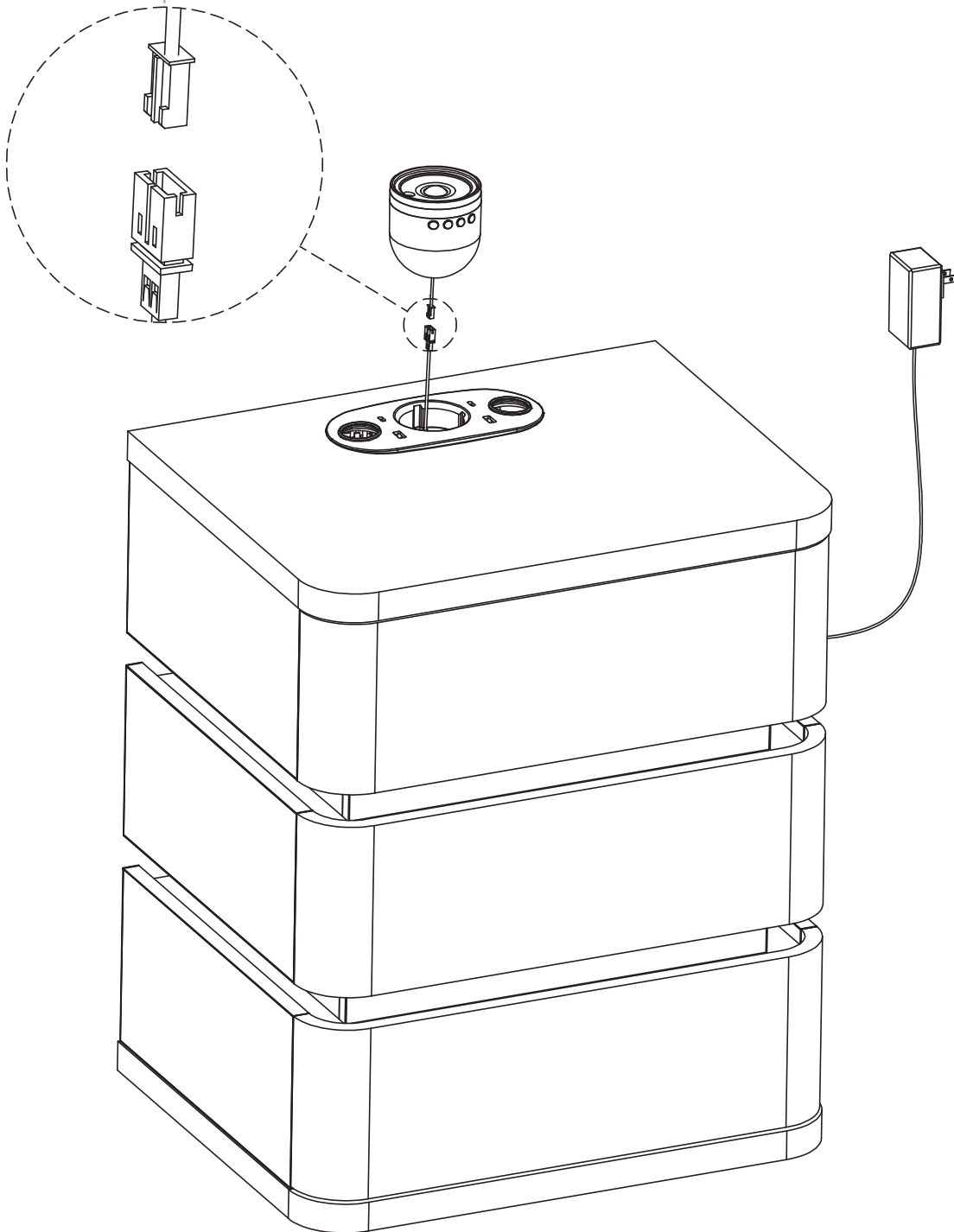



## Step1



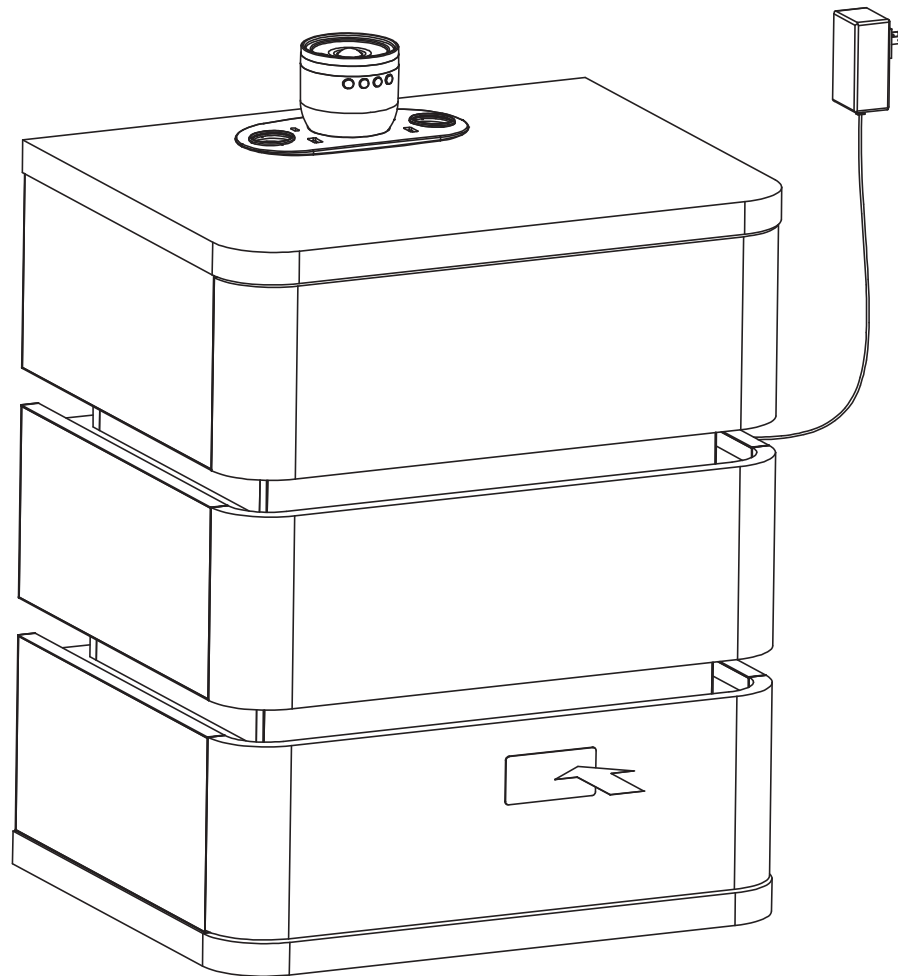
code	diagram	count
C		1

# Step5



code	diagram	count
A		1

Step6



Place the IC magnetic card on the surface of the drawer and the magnetic induction lock will open.



## User's Guide

Thank you for purchasing this product.

To use this product, please connect it to a power source.

Please use if the product works normally after connecting to power.

If bubbles appear on the panel, remove the protective film.

## Introduction

The box is an intelligent controller. It has 1 USB port and 1 type-C port and 1 only music, It has 11 buttons for turning the lights on/off and adjusting the brightness, turning the motion sensor on/off, controlling the music.

## Operation



This button is for the aurora projection on/off.

Single Click: Turn the aurora projection on/off.



This button turns the star point projection on/off.

Single Click: Star Points on/off.



This button is used for switching between different nebula lighting effects.

Single Click: Switch to different nebula colors.

Long press: Close Nebula.



This button is used to control the nebula speed.

Single Click: Adjusting the Nebula Speed (Slow - Fast - Stop).



This touch button is the on/off switch for the product's light.

Single Click: Turn the light on/off.

Double-click: Change color.

Long press: Adjust brightness.



This touch button is used to turn on/off the induction function.

It can auto-turn on the light when people are close to the controller in 1 meters.

It can auto power off the light when the body is far away from the controller after 30 seconds.

Single Click: Human induction turns on (indicator light on).

Click again: Human induction turns off (indicator light off).



This touch button is the Dynamic Phantom Color Mode.

Single Click: Switch dynamic lighting mode.

This touch button is the switch for audio device.

After long-pressing to power on, (a prompt tone indicates successful power-on) .



your phone will detect a Bluetooth device named "QU3000" ,Simply tap to connect to this device.

Once connected, you can play music from your phone through the device.

Long-press the button to turn off the audio device when not in use.

(a prompt tone will indicate successful shutdown).

Long press: Volume up



Long press: Volume down

Single Click: Previous song



Single Click: Next song



This touch button is used to switch between Bluetooth mode and USB mode.

Single Click: Switch to USB mode.

Click again: Switch to Bluetooth mode.



Only music

This port is only for playing songs from a USB drive and cannot be used for charging.



Close



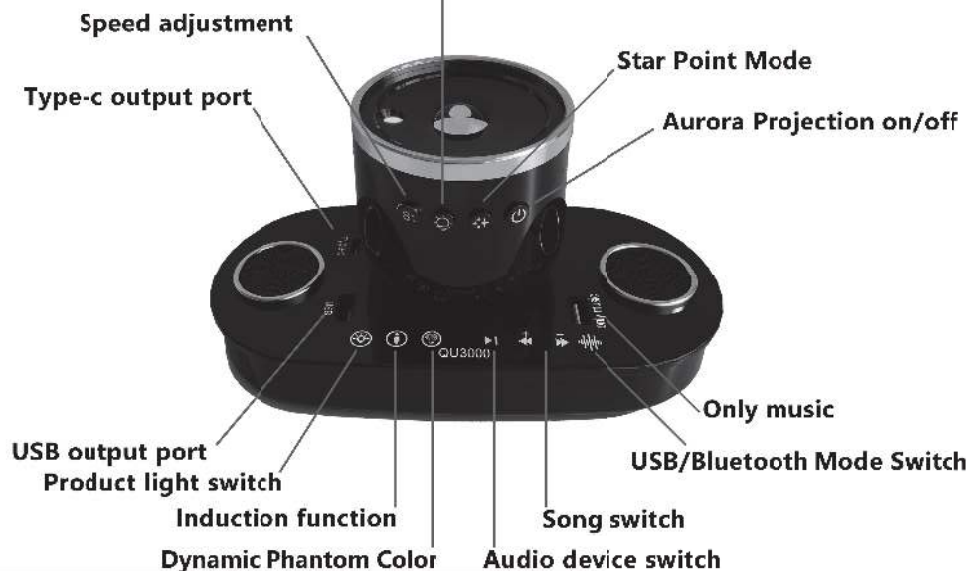
Open

Give away a USB flash drive



Do not shake to prevent wire breakage.

Switch the lighting effect



### ⚠ ATTENTION PLEASE

1. If there is no touch response suddenly, Re-plug the power to reset the touch static electricity.
2. If you have any questions when installing, please feel free to contact us. Thank you.

# Touch button description



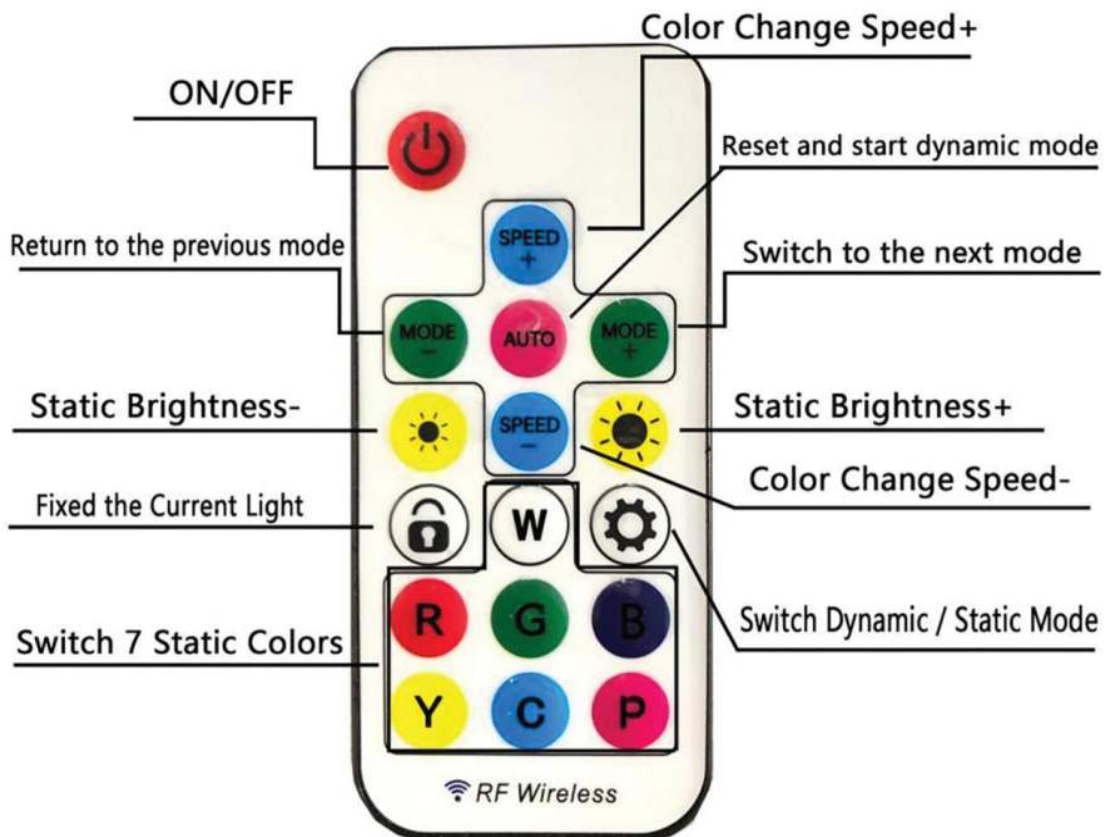
1. ON/OFF

2. Static Light Mode

(Long press to adjust brightness)

3. Dynamic Mode

(Long press to adjust speed)



## LED Lights Controller-use instructions

Remote Battery: CR2025 3V

How to use the controller?

1. After inserting the DC power adapter, you can use the remote control to control the lamp. Press the "on/Off" button to turn on the light and enter the static light mode.

Long press the "on/Off" button to turn off the light.

2. There are 7 RGB Dynamic Modes. You can press the "MODE+/-" key to choose dynamic colors that you preferred and press the "Speed+/-" key to adjust color change speed.

3. There are 7 static colors: White / Red / Green/ Blue / yellow / ice blue/ pink light. You can press the "Brightness +/-" key to adjust the brightness.

4. You can press the "lock" key to fix the color you like. When you press the "Switch Dynamic /Static Mode" key, the light will change between dynamic mode and static mode.