

## NOTICE

- \* Please make sure that you have all parts indicated and they are in good condition before you begin assembly of this item. Refer to part list and hardware list below for guidance.
- \* This item should be assembled on a soft surface to prevent scratching the finish during assembly.
- \* This item may require periodic tightening.
- \* If you are having difficulty, our friendly Customer Care team is always here to help. Please

**email [customersupport@safavieh.com](mailto:customersupport@safavieh.com)**

## PREPARATION

- \* Before beginning assembly of product, make sure all parts are present. Compare parts with part contents list and hardware contents list.
- \* If any part is missing or damaged, do not attempt to assemble the product.
- \* Estimated Assembly Time: **10 minutes**
- \* Tools Required for Assembly (included): **Allen Key**

## CARE AND MAINTENANCE

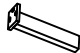




Blot up spills immediately, always use mats on table tops under beverages. Use trivets or mats under hot dishes or cookware. Clean with warm water and dry surface immediately after cleaning. Do not use cleaners that contain acid such as bathroom cleaners, grout cleaner, and tile cleaners.

Do not use abrasive cleaners in either dry or liquid forms.

Use a cleaner and polish formulated for marble surfaces.

Adhesive felt pads should always be applied to areas of furniture which make direct contact with flooring, said application will prevent damage to the furniture and or surfaces on which the furniture lies. Objects placed on articles of furniture should rest on non abrasive material as to prevent damage to the wood finish. Objects whose composition consists of plastic and rubber are known to discolor and damage the wood surfaces on which they rest. Wipe up spills immediately and avoid common hazards such as hot dishes, harsh solvents and abrasives. Cleaning should be done with a soft lint free cotton cloth dampened with water or furniture polish. On highly used surfaces we recommend applying a quality paste wax which should be used on a regular basis to provide additional protection from scratches and spills. How often you apply the wax depends on how much wear the furniture receives.

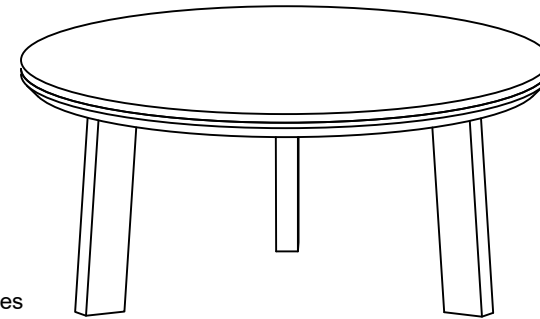
### Part List and Hardware List

PIECE	DESCRIPTION	PICTURE	QUANTITY
A	LEG		3X
B	Top		1X
HW1	M8 x 30 mm		9X
HW2	Flat washer : M8 x 20 mm		9X
HW3	Allen key 5 MM		1X



MODEL#COF3705B

PRODUCT DIMENSION : 36"W X 36"D X 16"H



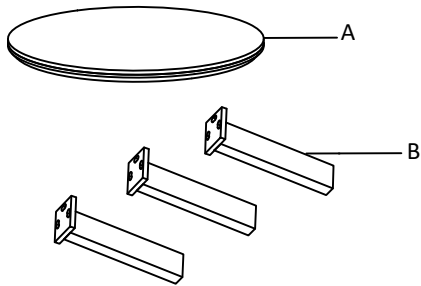
**WEIGHT CAPACITY : 100 LBS**

**WARNING : DO NOT OVER TORQUE BOLTS/SCREWS .**

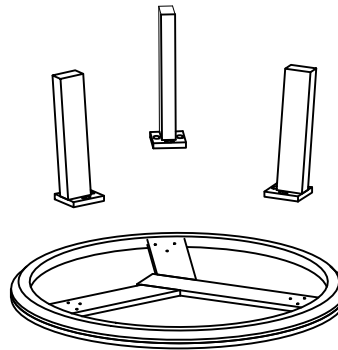
**WARNING : DO NOT STAND ON THE COFFEE TABLE.**

## PREPARATION

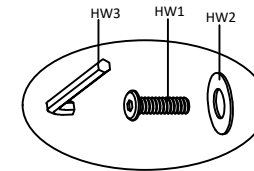
- \* Before beginning assembly of product, make sure all parts are present. Compare parts with part contents list and hardware contents list.
- \* If any part is missing or damaged, do not attempt to assemble the product.
- \* Estimated Assembly Time: 10 minutes.
- \* Tools Required for Assembly (included): Allen Key
- \* If you are having difficulty, our friendly Customer Care team is always here to help. Please email [customersupport@safavieh.com](mailto:customersupport@safavieh.com)



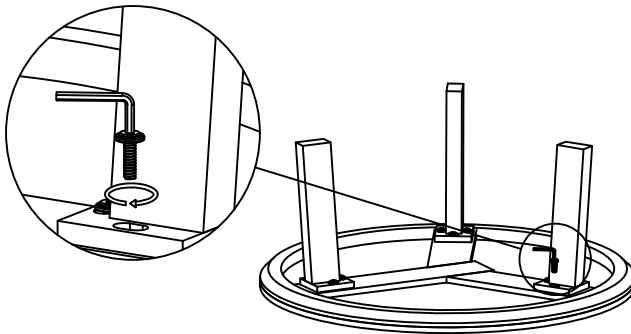
STEP 1: OPEN THE ZIPPER ATTACHED ON THE CARTON AND TAKE OUT MARBLE TOP (A) ,LEGS (B) & HARDWARE BAG FROM THE CARTON.



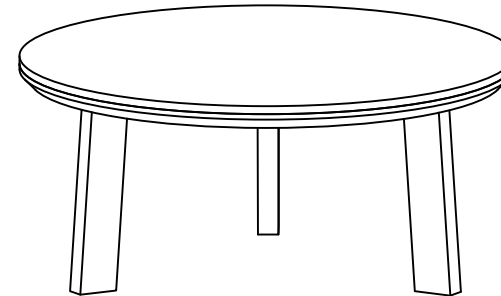
STEP 2: PLACE THE LEGS ON THE TOP AS SHOWN IN THE ABOVE PICTURE.



STEP 3: PUT THE WASHER (HW2) ON THE BOLT (HW1) & ALLEN KEY (HW3) ON THE BOLT IN THE ORDER SHOWN IN THE ABOVE PICTURE.



STEP 4: THERE AFTER SCREW BOLTS ALIGNED ON ALL THE LEGS & TIGHTEN THEM USING ALLEN KEY AS SHOWN IN THE ABOVE PICTURE.



STEP 5: FINAL ASSEMBLED PIECE & IT IS READY TO USE.