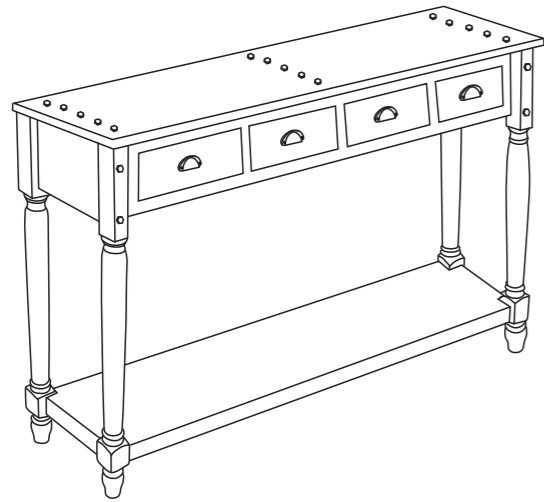


ASSEMBLY INSTRUCTION

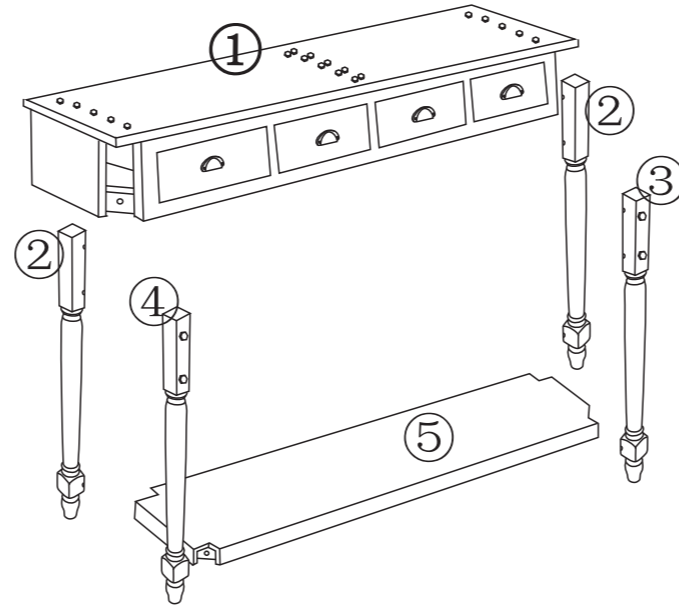
If you are missing any of the parts, or if you have a damaged part, Please let us know the part number, we will offer good solution asap.



Please attach your Order ID so that we can assist you better.

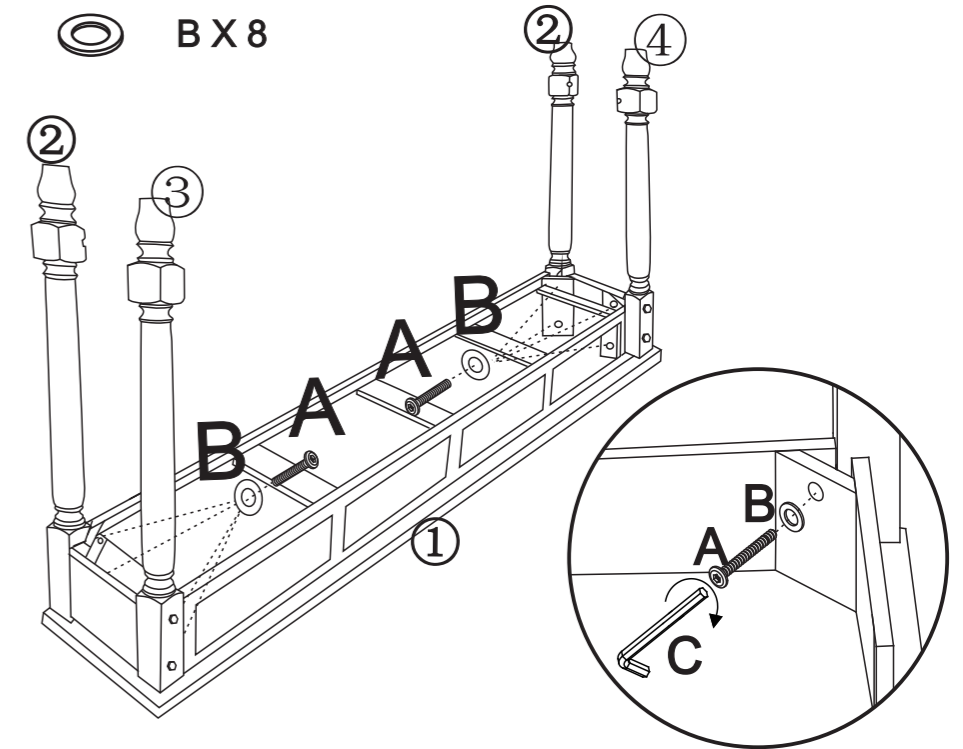


Assembly Tips: You must not tighten any screw yet until the table is assembled, when every part is OK, then tighten all the screws.



STEP 1

Assembly Tips: You must not tighten any screw yet in this step. Please install the feet parts according to the numbers marked.



M6x40
A x 12



B x 12



C x 1



D x 2



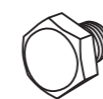
3x10mm
E x 4



F x 2



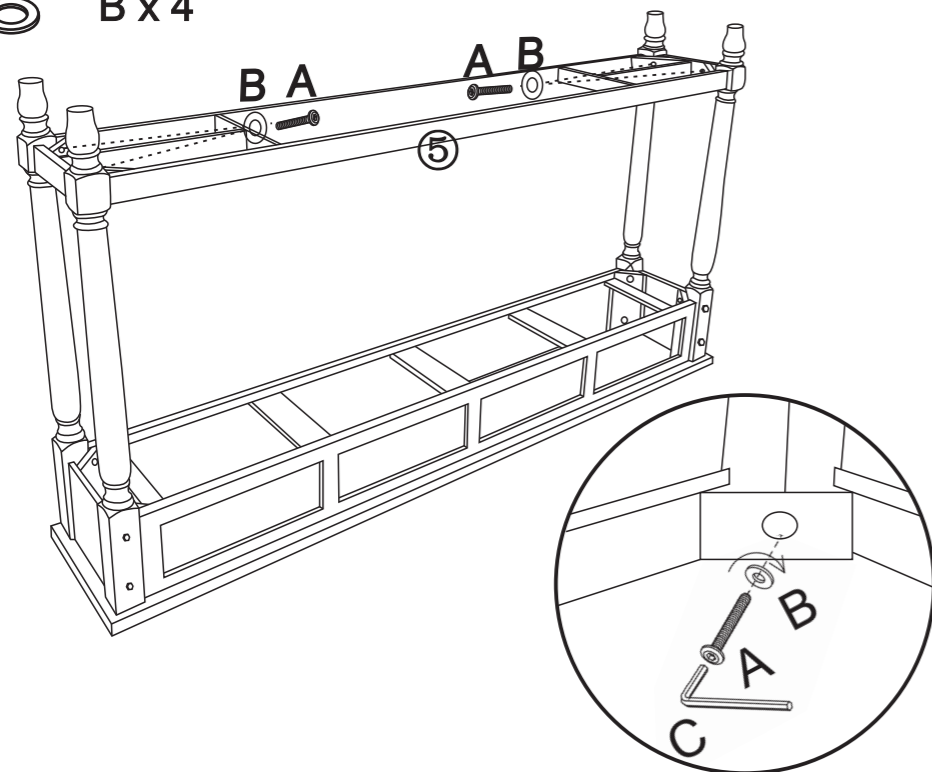
G x 2



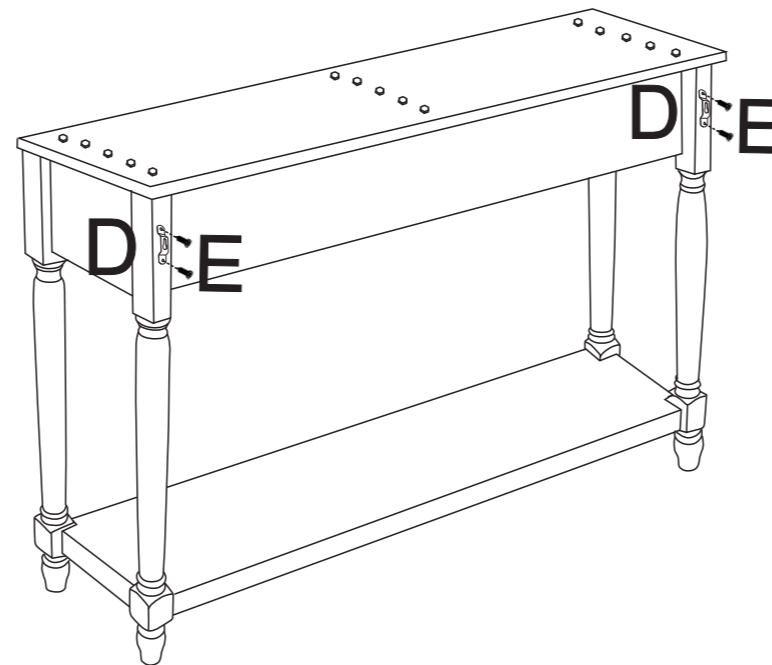
SPARE PARTS

STEP 2

Assembly Tips: When every part is OK, You can tighten all screws in this step.



STEP 3



STEP 4

