

ASSEMBLY INSTRUCTION



IMPORTANT NOTICE

INSTALLATION GUIDE

tools required: allen wrenches(provided)

ASSEMBLY REQUIREMENT

1. Remove all packaging materials, staples and packing straps from the carton.
2. Refer to Parts Checklist and ensure they are complete before you start assembling.

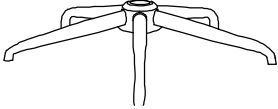

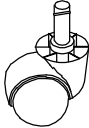
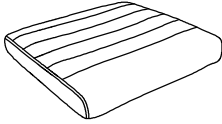
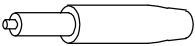
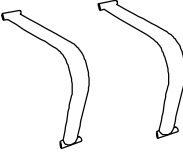
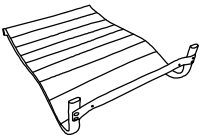
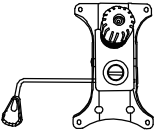
TIPS FOR ASSEMBLY

1. Allow ample room for assembly and in close proximity to where product will be placed.
2. Assemble the product on a surface that does not scratch or damage the exterior and finish of the furniture.
3. During assembly, do not over-tighten any fittings as this may cause damage.
4. Do not use power tools to assemble this product.
5. Do not sit or stand on the partially assembled product, use only installed products.



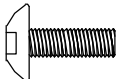
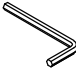



CARE AND USE

- Recommended for indoor and residential use only.
- Wipe with a soft, dry cloth. Do not use harsh abrasives or household cleaners as they may damage the finish.
- Check all the fittings periodically and re-tighten as necessary. Do not use the product if any of the parts is damaged or broken.

PARTS LIST

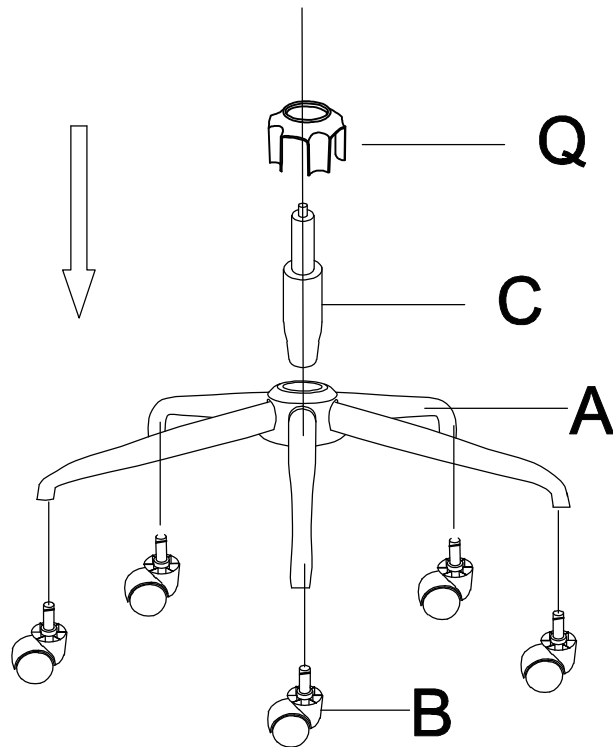
No.	Description	QTY	No.	Description	QTY
A		1	E		2
B		5	F		1
C		1	G		2
D		1	H		1

HARDWEAR LIST

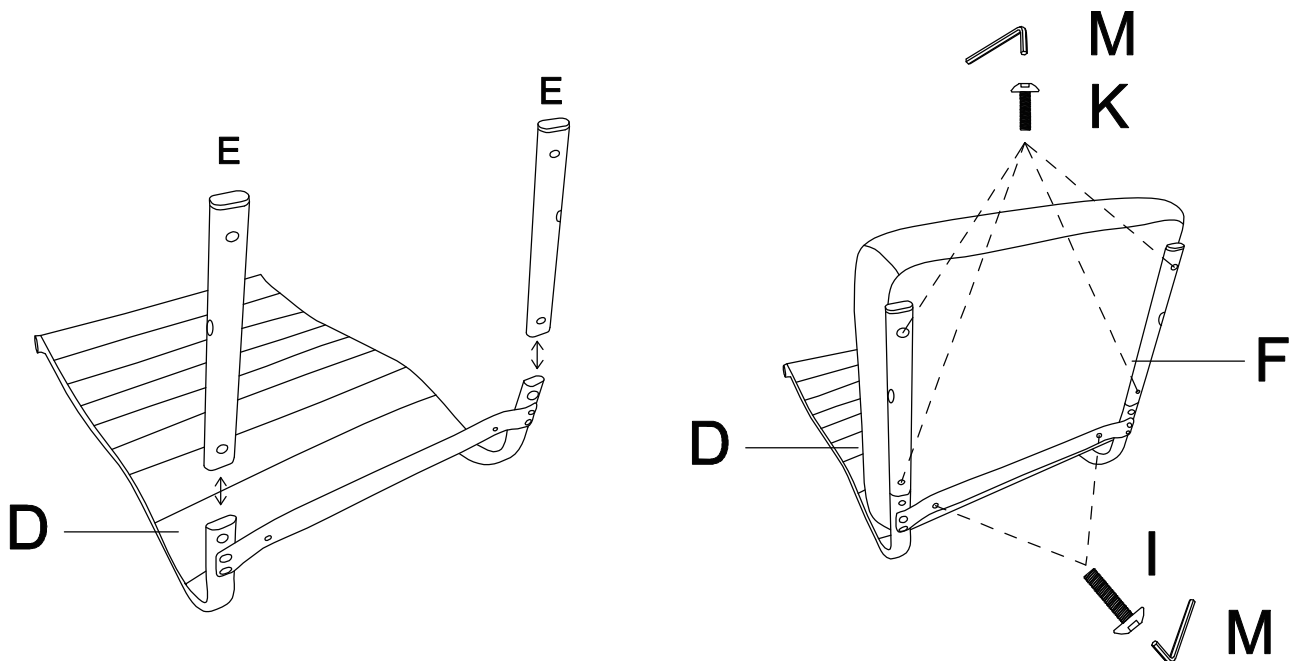
No.	Description	QTY	No.	Description	QTY
I	 M6*30	2	Lb		4
J	 M6*20	4	M		1
k	 M6*30	4	Q		1
La	 M8*50	4			

CAUTION: Please confirm the parts list before installtion

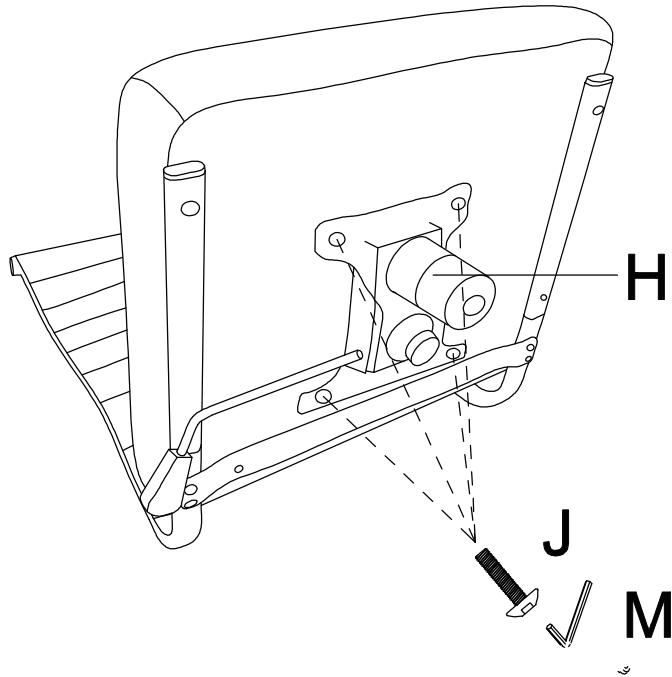
- 1** Insert the casters Bx5 into the five star base A with force. Press the base cover Q into the middle of the five star base. Insert the gas lift C into the center of the base.



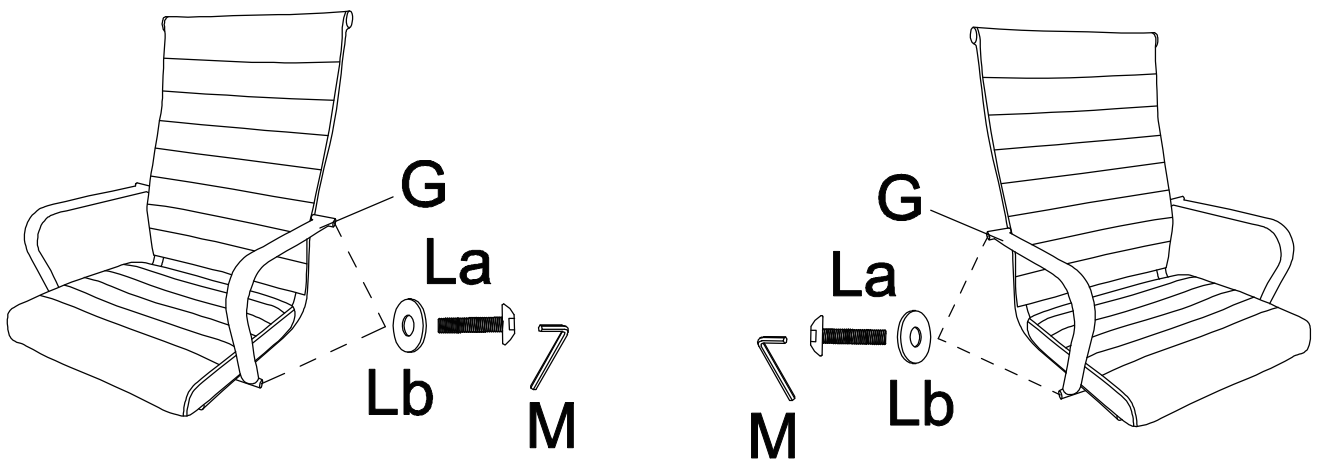
- 2** Assemble the part Ex2 to the chair back D via screws Kx4 & Ix2 as the picture. Turn the screws and finish with Allen Wrench M. Notice: Don't tighten the screws completely.



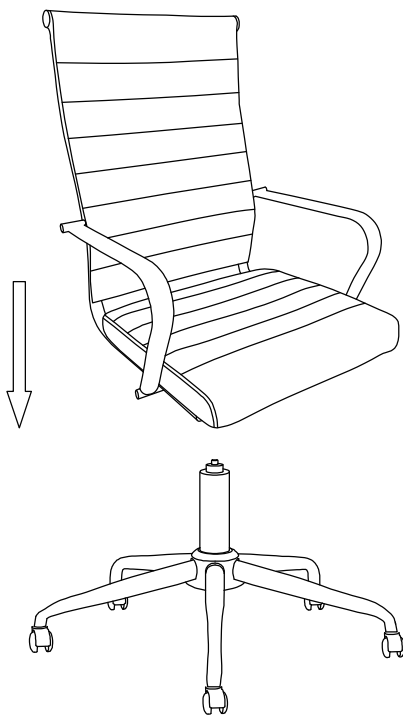
- 3** Assemble the tilt mechanism H with the seat via screws Jx4.
Turn the screws and finish with Allen Wrench M.
Please note the orientation of the front of the seat and the mechanism.



- 4** Assemble armrests GX2 with the seat and back via Screws L.
Turn the screws and finish with Allen Wrench M.
Notice: Tighten all the screws completely.



- 5** Attach the assembled seat to the assembled base by aligning the hole in the tilt mechanism to the top of the gas lift. Press the seat firmly to complete the installation.



THANK YOU

