



KITCHEN FAUCET

MODEL: COS-KF501SS

COSMO

Thank You



Thank you for your purchase. We know that you have many brands and products to choose from and we are honored to know that you have decided to take one of our products into your home and hope that you enjoy it.

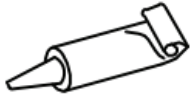
Our faucets are designed according to the strictest performance standards for the North American market. We follow the most advanced manufacturing philosophy. Each faucet leaves the factory after thorough quality inspection and testing. Our distributors and our service partners are ready to answer any questions you may have regarding how to install, use and care for your faucet.

We hope that this manual will help you learn to use the product in the safest and most effective manner and care for it so that it may give you the highest satisfaction for years to come. If you have any questions or concerns, please contact the dealer from whom you purchased it, or contact our Customer Support at 1-888-784-3108.

The manual also includes directions for the professional installer that will install the product in your home. We recommend using trained personnel for professional installation.

Please keep this manual for future use

PRE-INSTALLATION INSTRUCTIONS



Plumber's putty



Pipe tape



Bucket



Philips Screwdriver



Pliers



Adjustable wrench

Make sure you have all necessary parts by checking the diagram and parts list. If any part is missing or damaged, please contact Cosmo Appliances at **1-888-784-3108**

Pre-drilled hole size requirement: 1-3/8" - 1-1/2"

Max countertop thickness without deck plate: 1-3/8"

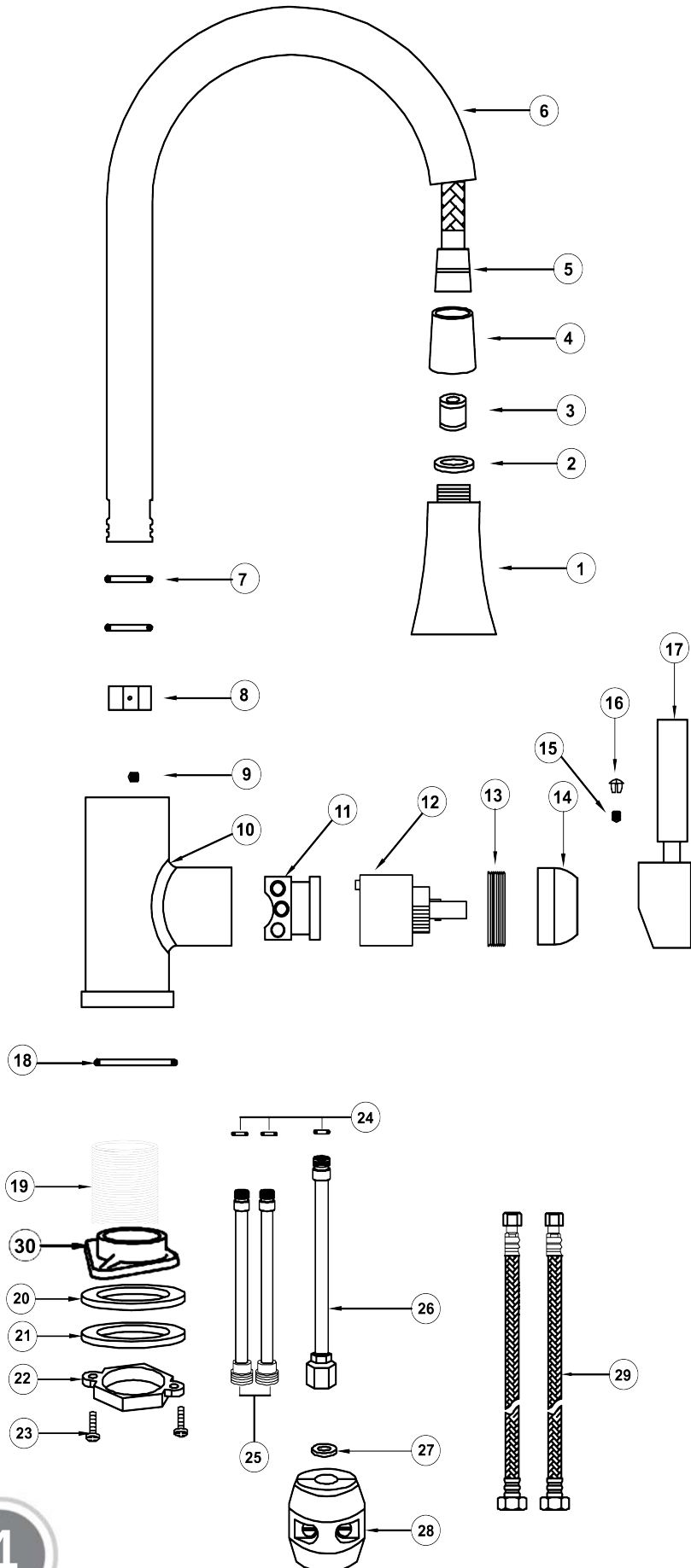
Turn off the hot and cold water supply at the angle stops and turn on the old faucet to release any built up pressure. Remove existing faucet. Clean the sink of countertop to remove debris, plumber's putty, and silicone.

Place a bucket under the angle stops. Turn on to clear any debris prior to installing new plumbing. Shut off angle stops.

TABLE OF CONTENTS

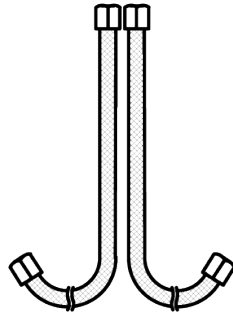
PARTS DIAGRAM	04
PARTS INCLUDED	05
FAUCET DIMENSIONS	06
INSTALLATION PROCEDURES	08
OPERATING INSTRUCTIONS	11
TROUBLESHOOTING	12

FAUCET PARTS DIAGRAM



NO.	NAME	QTY
30	Plastic Holder	1
29	Water Supply Hose	2
28	Counterweight	1
27	Washer	1
26	Water-in Tube	1
25	Water-out Tube	2
24	O-ring	3
23	Screw	1
22	Lock Nut	1
21	Silicone Ring	1
20	Metal Ring	1
19	Shank	1
18	O-ring	1
17	Handle	1
16	Cap	1
15	Screw	1
14	Trim Cap	1
13	Cartridge Nut	1
12	Cartridge	1
11	Cartridge Seat	1
10	Body	1
9	Screw	1
8	Washer	1
7	O-ring	2
6	Spout Assembly	1
5	Spray Hose	1
4	Bushing	1
3	Check Valve	1
2	Gasket	1
1	Spray	1

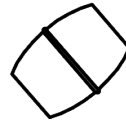
PARTS INCLUDED:



TWO METAL
BRAIDED HOSES



SILICONE RING



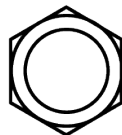
COUNTERWEIGHT



METAL RING

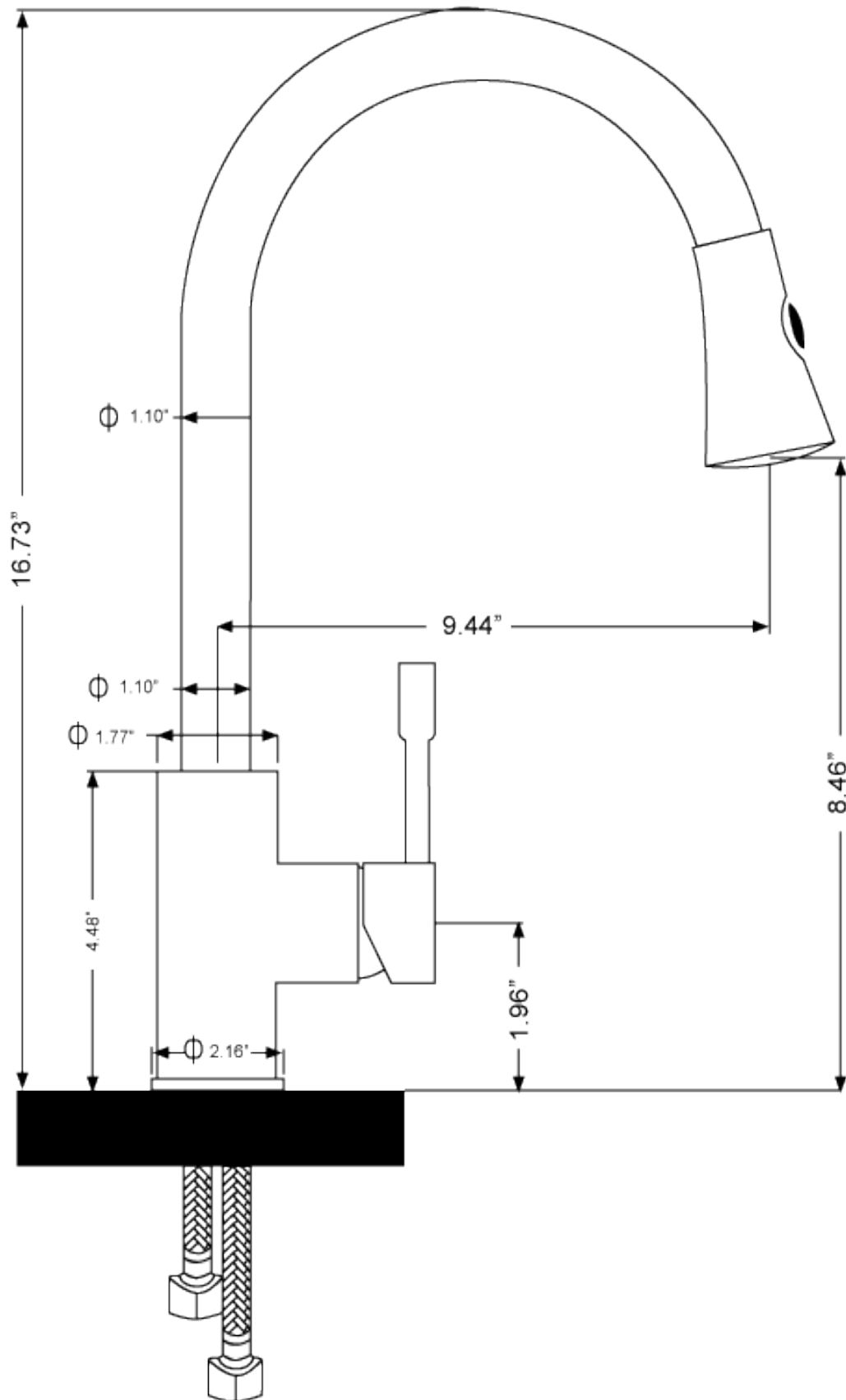


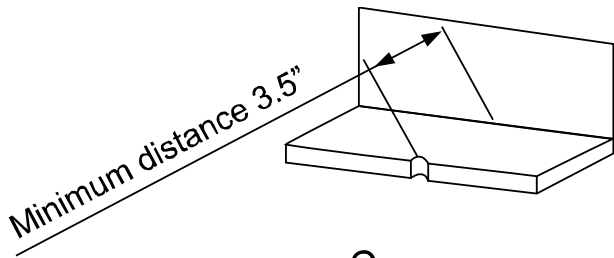
PLASTIC HOLDER



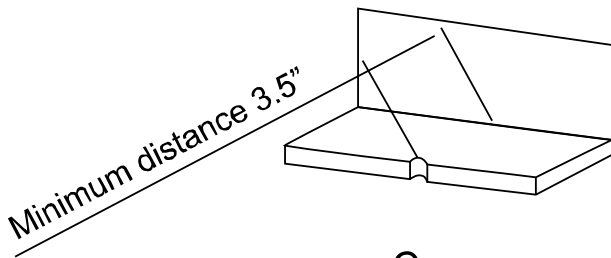
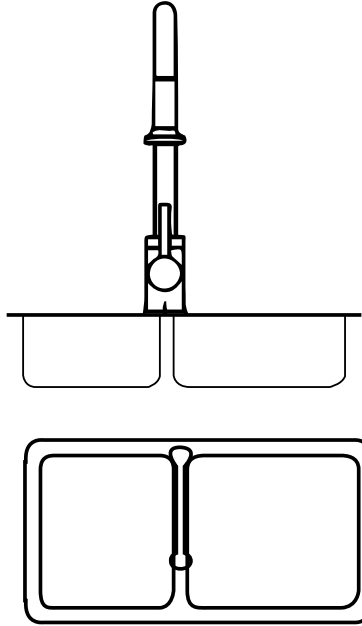
NUT

FAUCET DIMENSIONS

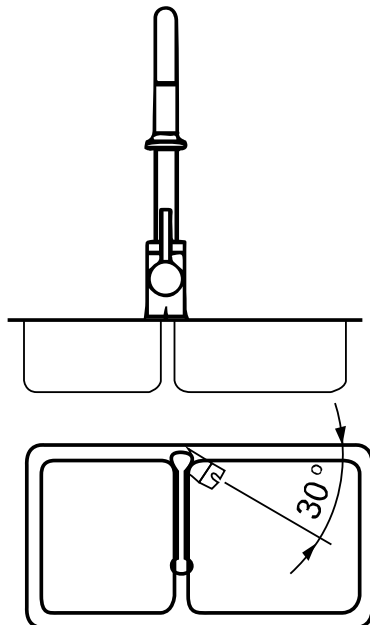




The minimum distance between the faucet hole and the wall should be 3.5". This is to ensure that the faucet lever can move freely allowing for full operation.

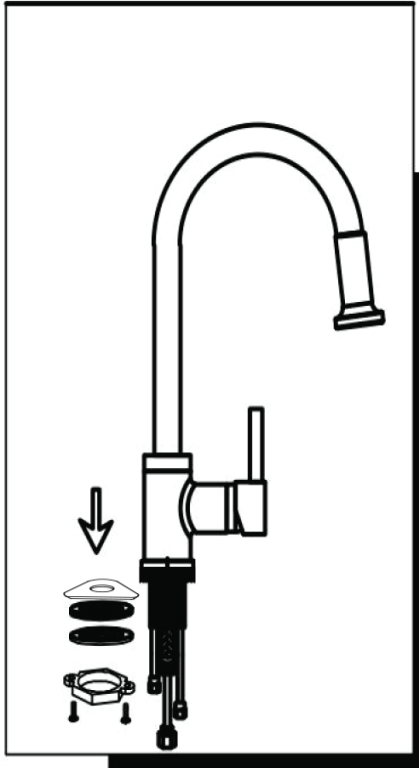


If the distance between the faucet hole and the wall is less than 3.5", you may position the faucet lever 30 degrees to 90 degrees off of the wall to allow for full operation



INSTALLATION PROCEDURE

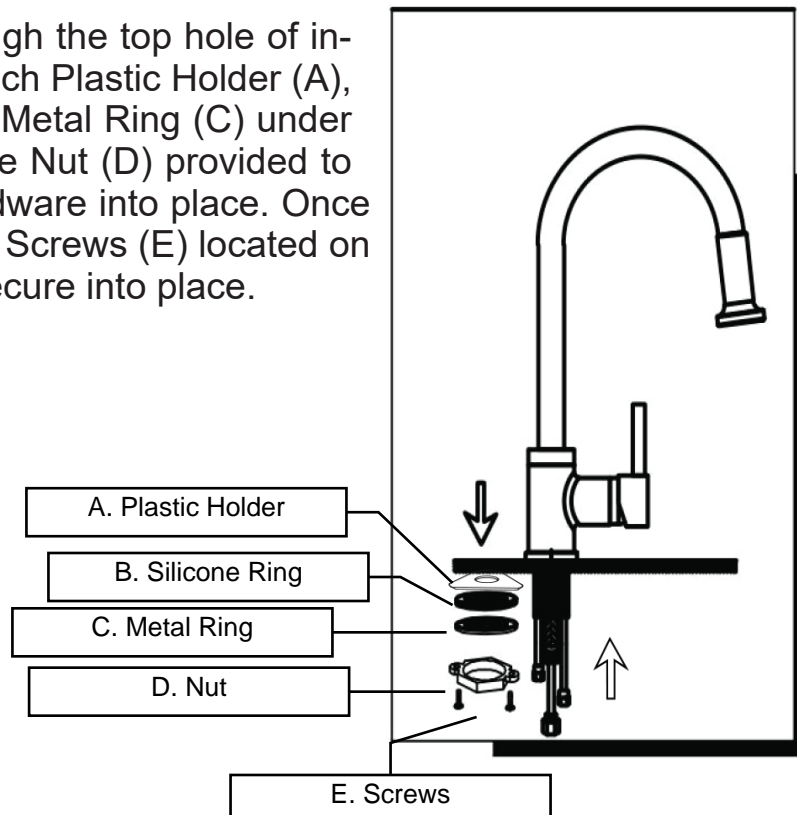
Step 1



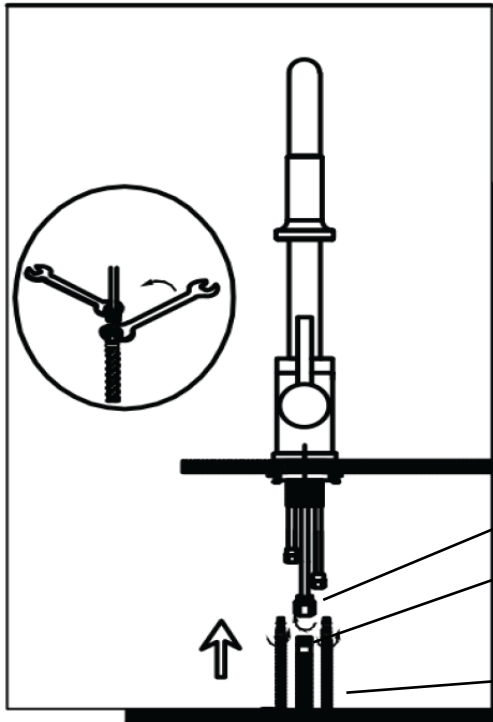
Hardware will be attached to the faucet during shipping. Remove hardware from the faucet to begin installation. Remove the Nut, Metal Ring, Silicone Ring and Plastic Holder. Set aside this hardware for the next installation step.

Step 2

Insert faucet through the top hole of installation site. Attach Plastic Holder (A), Silicone Ring (B), Metal Ring (C) under the faucet. Use the Nut (D) provided to hold sink and hardware into place. Once tightened, use the Screws (E) located on the nut to firmly secure into place.



Step 3



Connect spray hose (B) to supply hose (A).

Connect the hot and cold hoses (C). Hoses will be labeled on your actual product.

A. Supply Hose

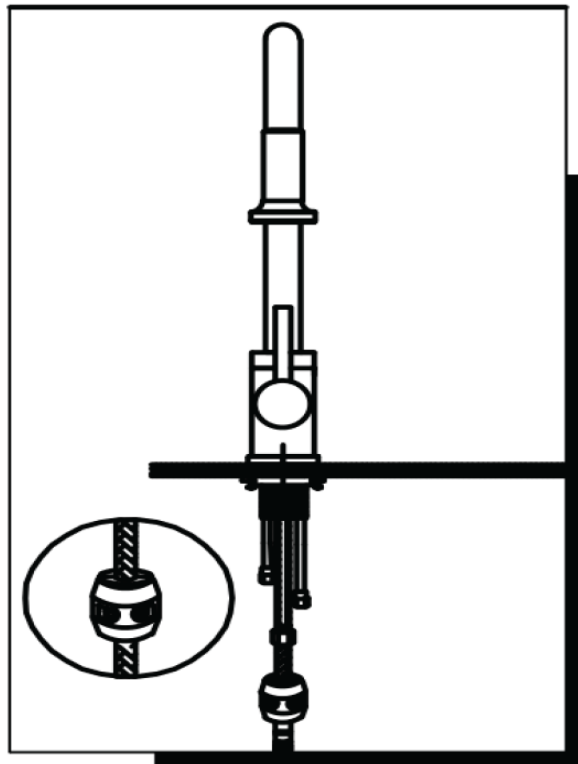
B. Spray Hose

C. Hose

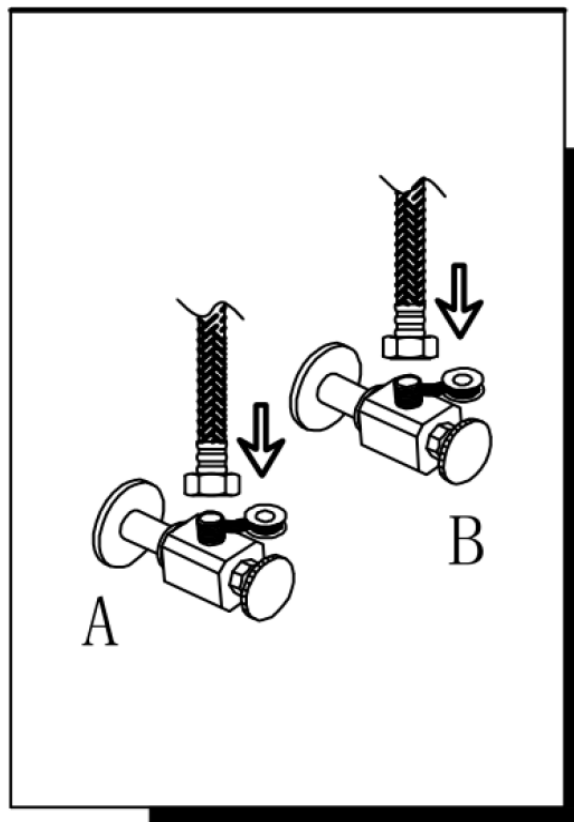
C. Hose

Step 4

Proper installation of the hose counterweight will ensure that the sprayer retracts smoothly. On the sprayer hose measure 15" down from the body of the faucet and mark this point. Install the hose weight at this marked point. The sprayer should retract smoothly. Reposition the hose weight as necessary. Make sure the hot and cold hoses do not interfere with the spray hose. They can be repositioned slightly if necessary.



Step 5

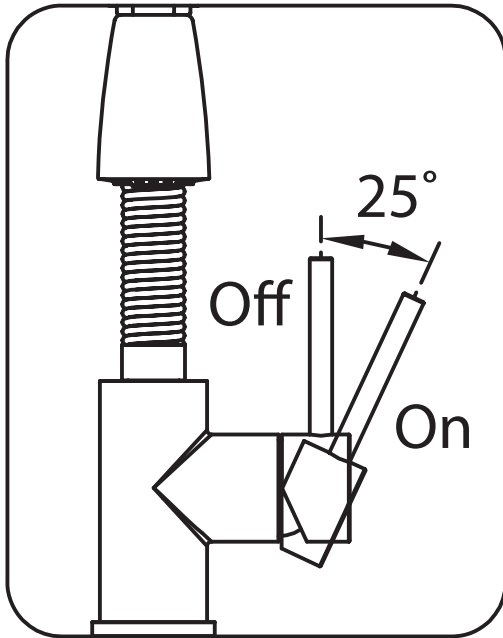


Connect and tighten waterlines to hot and cold water supply (use plumbers tape on the water supply threads). Turn on the water supply and check for leaks (**DO NOT TURN FAUCET ON K7FIZ**)

If no leaks are found turn the faucet on for 60 seconds to clear any debris from the water lines.

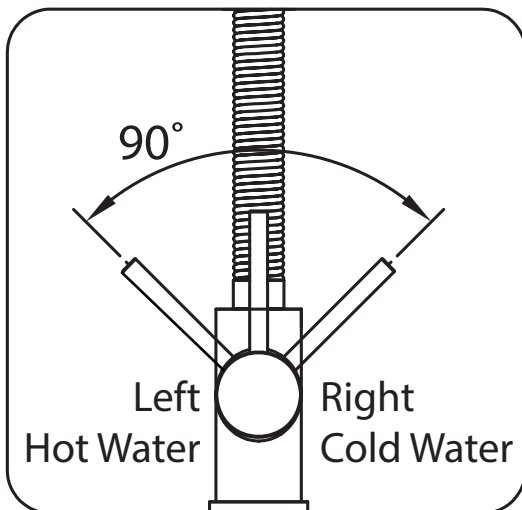
Usage

How to Operate the Handle



1. Pull the lever to the right to turn on the water. Push to the left to turn off

2. Pull the lever forward (to wards you) to increase hot water flow and push the lever back (away from you) to increase the cold water flow.



Troubleshooting

If you have followed the instructions carefully and your faucet still does not work properly, take the following corrective steps:

PROBLEM	CAUSE	ACTION
Leakage under the handle.	Locking nut has come loose .	Remove the small chrome colored cap with red and blue (hot/cold) dots. Remove the lever by loosening the set screw inside the hole with a hex wrench. Tighten the locking nut.
Water will not shut off completely	Cartridge needs to be replaced.	Remove the small chrome colored cap with red and blue (hot/cold) dots. Remove the lever by loosening the set screw inside the hole with a hex wrench. Remove the locking nut and replace the cartridge.
Leaking between spray head and the hose (Spray head may be loose or washer is not seated correctly in the hose connection	Tighten the spray head by hand until snug. Make sure the washer is seated correctly

Codes/Standards Applicable:



HELP LINE

Our customer service hours are Monday – Friday, 10am – 5pm PST.
Be sure to visit our website at www.cosmoappliances.com

If you are a homeowner please contact a Cosmo Appliances Service Representative at:
1-888-784-3108

In requesting warranty service, please be ready to provide:

1. Proof of purchase.
2. A description of the problem.



For full warranty details on this product please visit:
<http://www.cosmoappliances.com/warranty>