



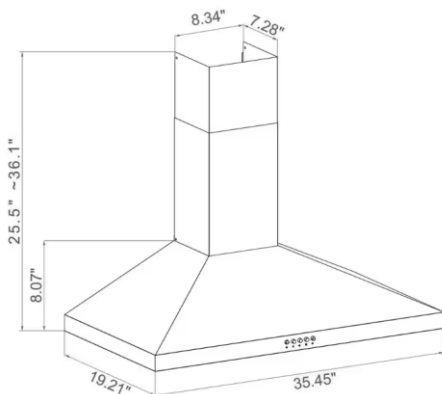
Size	Chimney Extension	Filter (replacement)	NON-DUCTED FILTERS
36in	WRHCE03	MSH1013	WRHF005S2

Specifications

Description	36" 400 CFM Max Velocity Convertible Wall Mount Range Hood
Mount Type	Wall Mount
Size	35.45' W x 19.25" D x 36.1" H
Ceiling Height	7.5-8.5 feet
Duct Dimension	6" round
Product Weight	23 Lbs.
Exhaust Method	Convertible
Exhaust Location	Top
Power Source	Plug in
Voltage	120
Amperage	1.5 A
Residential Use Only	Yes
Certification	ETL (compatible w/UL and CSA)
Filter	Mesh Filters
No. of Fan Speeds	3
Speed Control Type	Push Button
Max. Sound Level	65 dB
No. of Lights	2 LED
Bulb Wattage	2 W
CFM	400 (Max Velocity), 300 (Lab Test)
Compatible Ductless Filter	WRHF005S2
Installation Hdwe. Incl.	Yes
Flexible Duct Included	Yes

Warranty

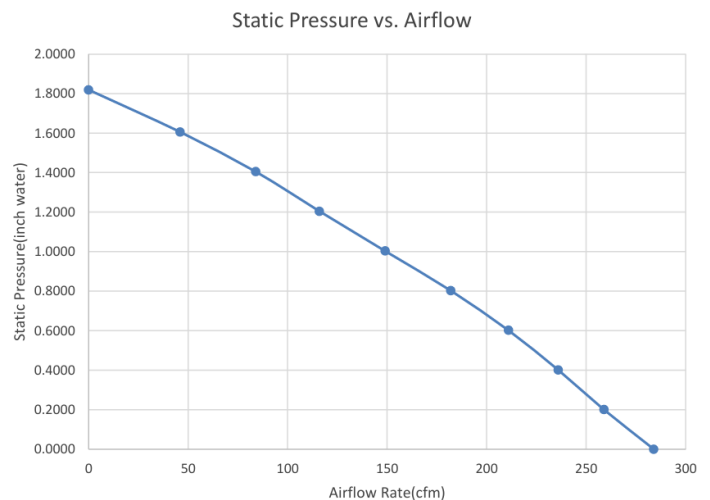
2-Year Limited on parts



Scene Display



Plot of Static Pressure vs. Airflow



* Max velocity CFM of blower measure in open air environment*



TEL: 630-401-8050
E-Mail: support@winslyn.com

ADD:1850 East Fabyan Parkway Batavia, IL 60510

Website: <https://www.winslyn.com>
Company: Winslyn Industries