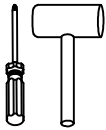


00:30

Approx. 30 min



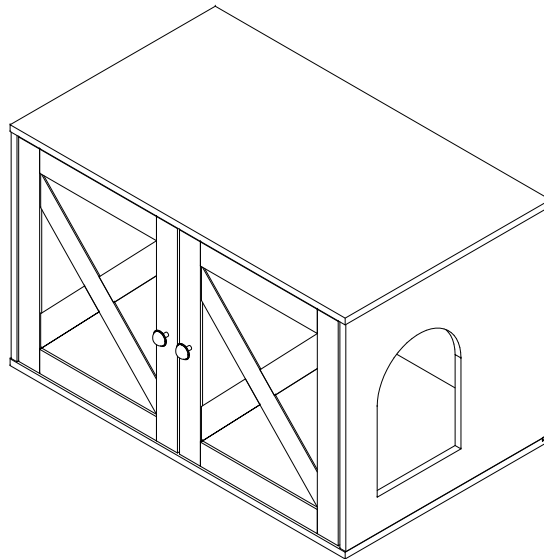
Recomm. 1 Person





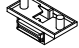






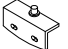

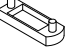
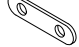


Tools Required

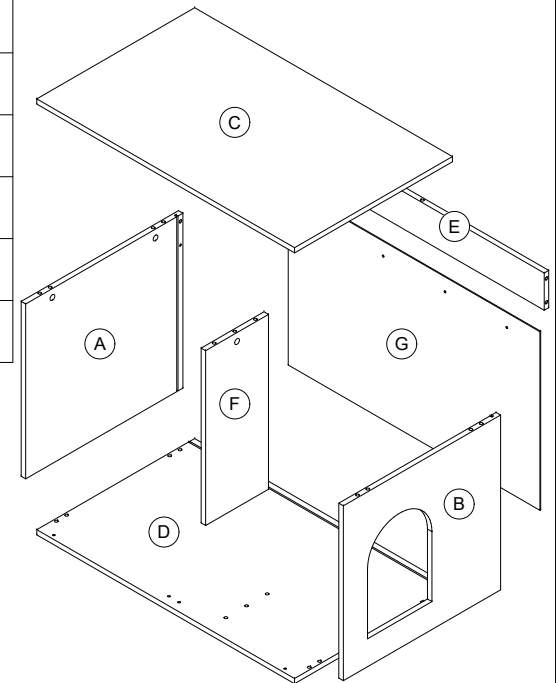
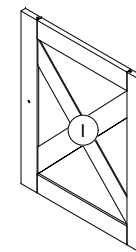
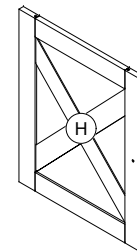
Assembly Instruction

Pet House



No	Part List	Qty
1	 Wood Dowel $\phi 8 \times 30 \text{mm}$	14 pcs
2	 Minifix Bolt	8 pcs
3	 Minifix Cam	8 pcs
4	 PVC Nail With Pin	5 pcs
5	 Magnet	2 pcs
6	 Screw $\phi 3.5 \times 14 \text{mm}$	16 pcs
7	 Unitar Screw $\phi 6.3 \times 40 \text{mm}$	5 pcs
8	 Handle	2 pcs
9	 Handle Screw $\phi 4 \times 19 \text{mm}$	2 pcs
10	 192 Stub	4 pcs
11	 Screw $\phi 3.1 \times 20 \text{mm}$	4 pcs
12	 MT Door Stopper	4 pcs
13	 Allen Key M4	1 pc
14	 PVC Stopper	1 pc
15	 Magnet Plate	2 pcs

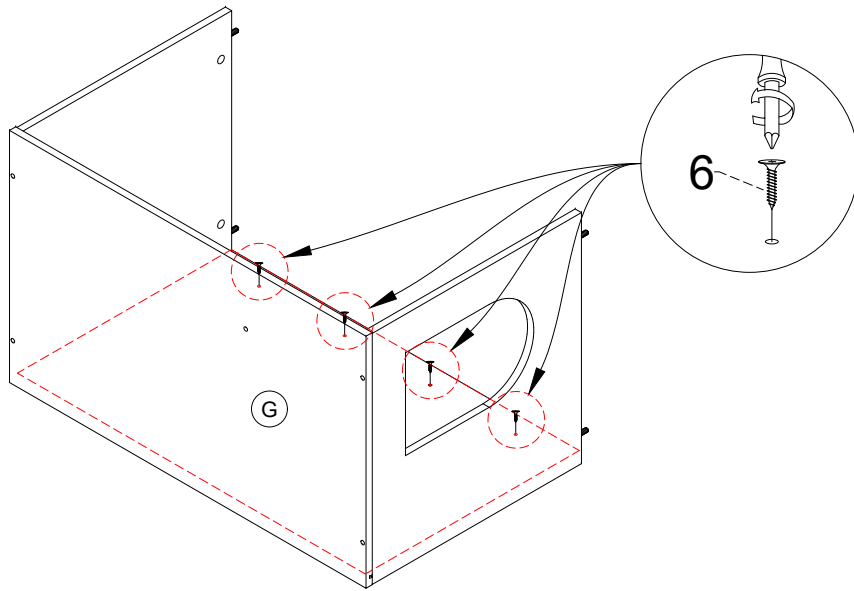
No	Part List	Qty
A	Left Side Panel	1 pc
B	Right Side Panel	1 pc
C	Top Panel	1 pc
D	Bottom Panel	1 pc
E	Back Support Panel	1 pc
F	Middle Panel	1 pc
G	Back Panel	1 pc
H	Left Door Panel	1 pc
I	Right Door Panel	1 pc





DO NOT FULLY TIGHTEN ANY BOLTS BEFORE ALL PARTS ARE LOOSELY ASSEMBLED. THE PRODUCT/ FITTINGS MAY BE DAMAGED IF OVERTIGHTENED. BEWARE OF CROSS THREADING SCREWS AND BOLTS DURINGS ASSEMBLY SMALL COMPONENT PARTS COULD CHOKE A CHILD IF SWALLOWED. WE STRONGLY RECOMMEND THAT YOU KEEP CHILDREN AWAY FROM THE WORK AREA.

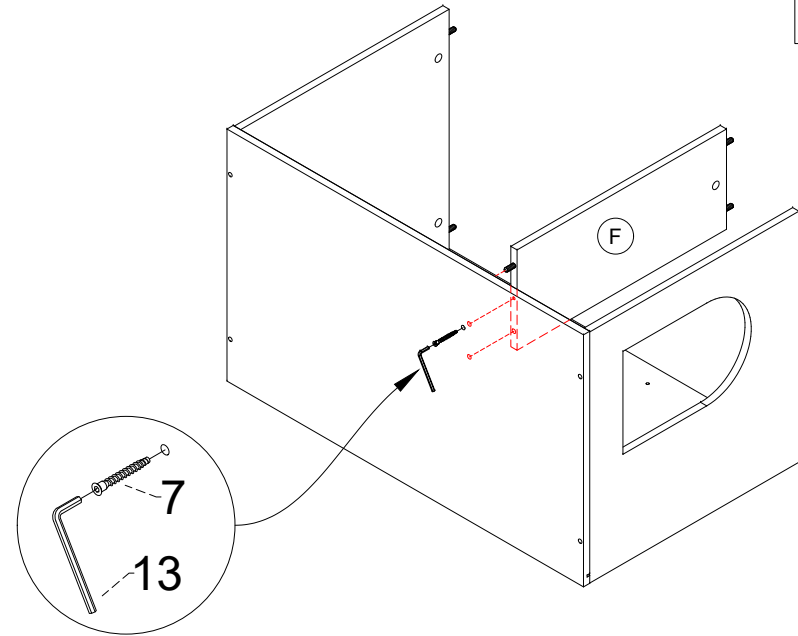
STEP 5

6  4 pcs



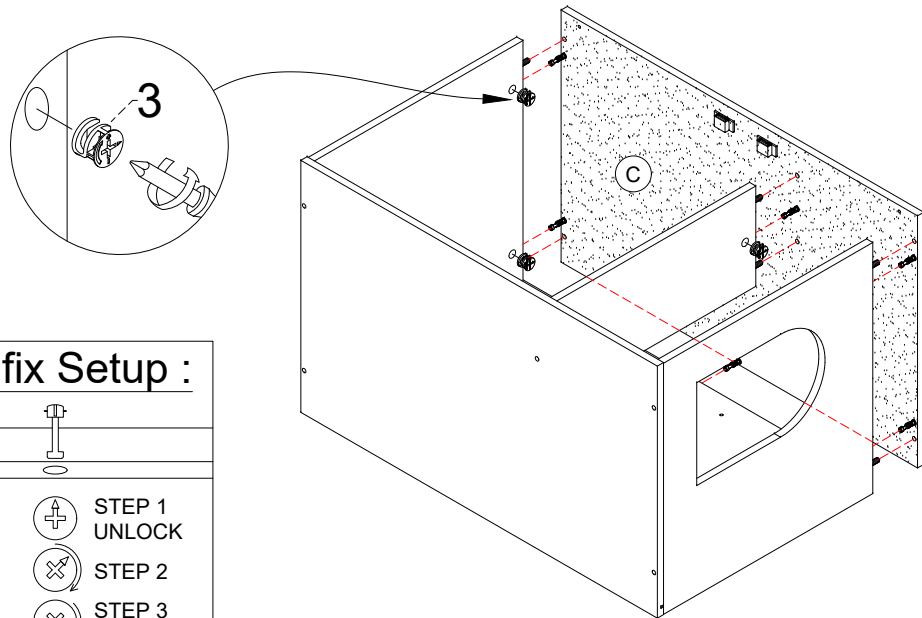
STEP 6

7  1 pc
13  1 pc




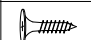


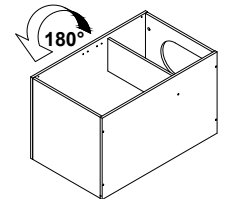
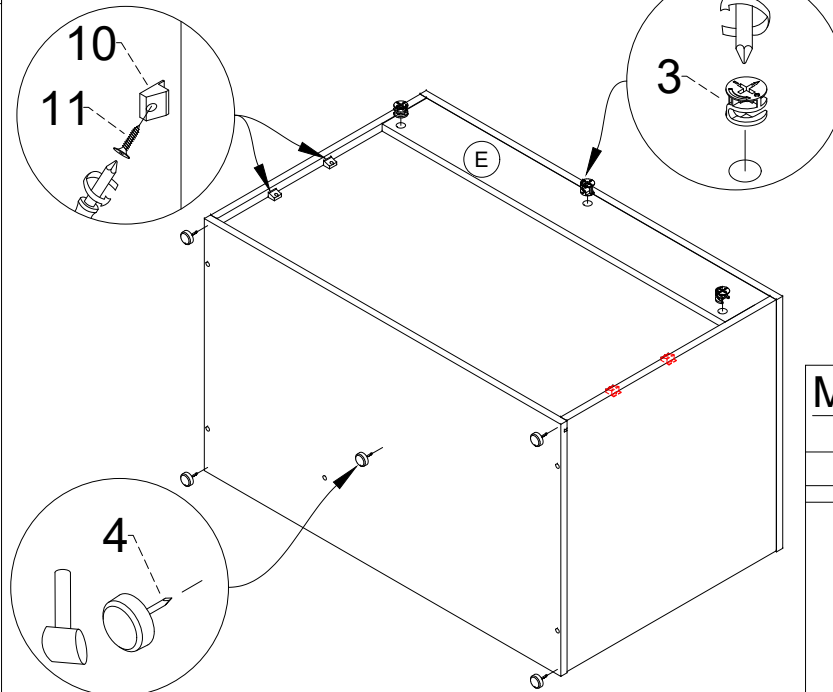
STEP 7

3  5 pcs

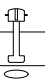





STEP 8

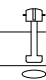



3  3 pcs
4  5 pcs
10  4 pcs
11  4 pcs



Minifix Setup :

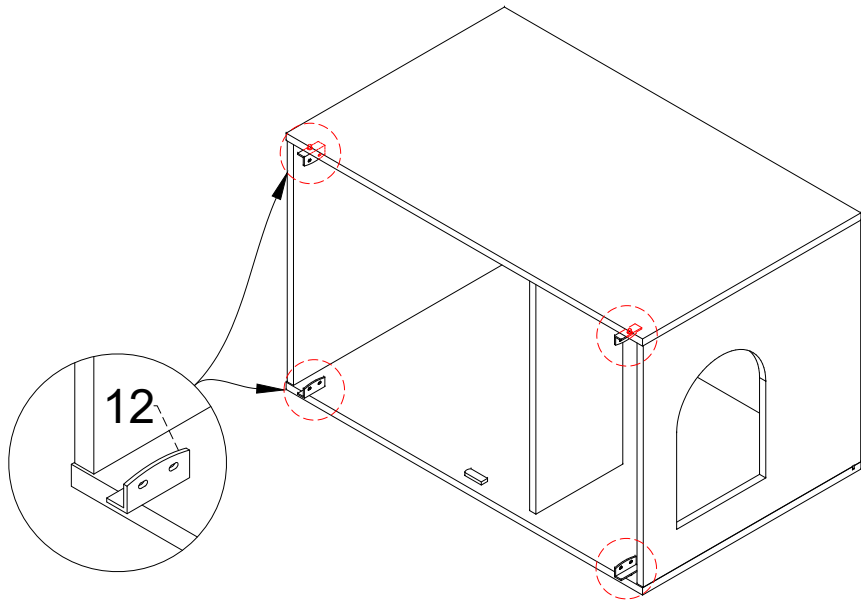
- 
-  STEP 1
UNLOCK
-  STEP 2
-  STEP 3
LOCK

Minifix Setup :

- 
-  STEP 1
UNLOCK
-  STEP 2
-  STEP 3
LOCK

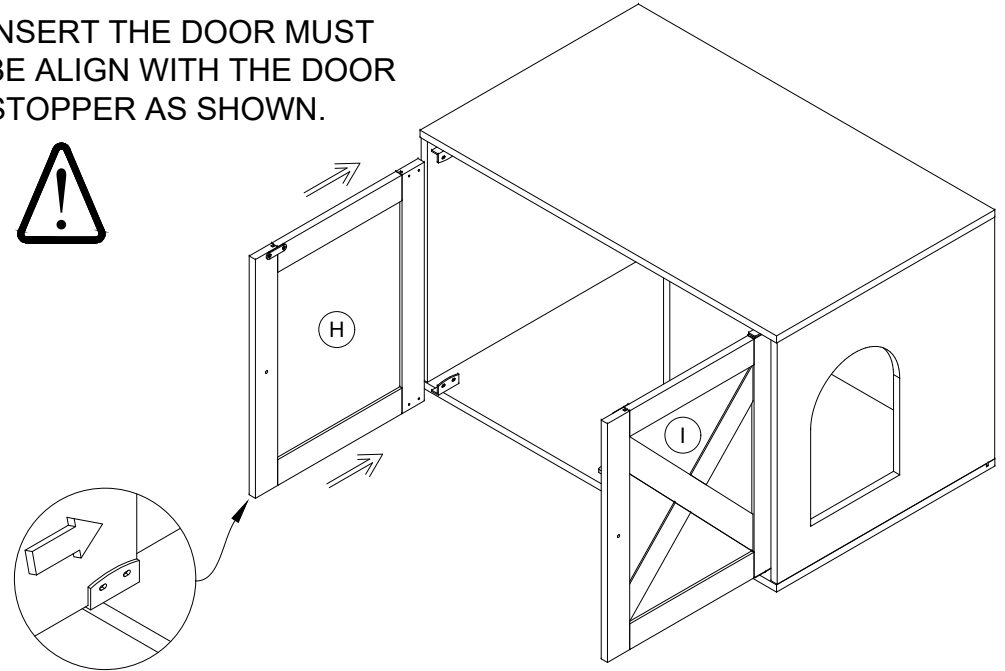
STEP 9

12  4 pcs






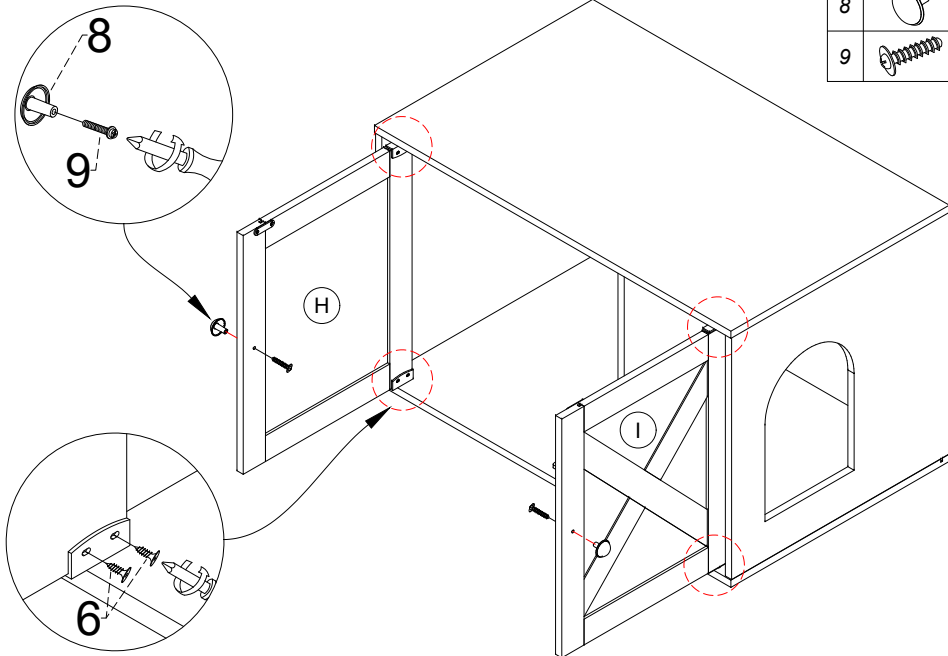
STEP 10

INSERT THE DOOR MUST BE ALIGN WITH THE DOOR STOPPER AS SHOWN.

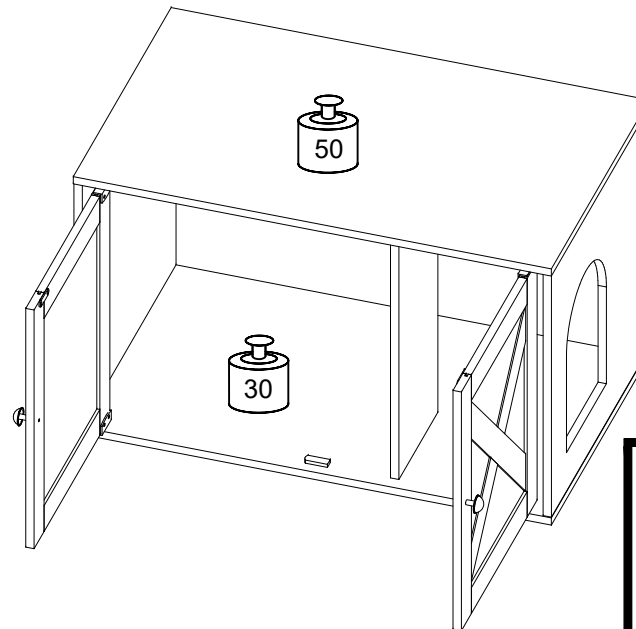


STEP 11

6  8 pcs
8  2 pcs
9  2 pcs



Recommend Maximum Weight



*Unit in Pound(lbs)

WARNING:

>This unit has been designed to support the maximum loads shown. Exceeding these load limits could cause sagging, instability, product collapse, and/or serious injury.

>DO NOT allow children to climb on unit.

>Put heavier items on lower shelves.