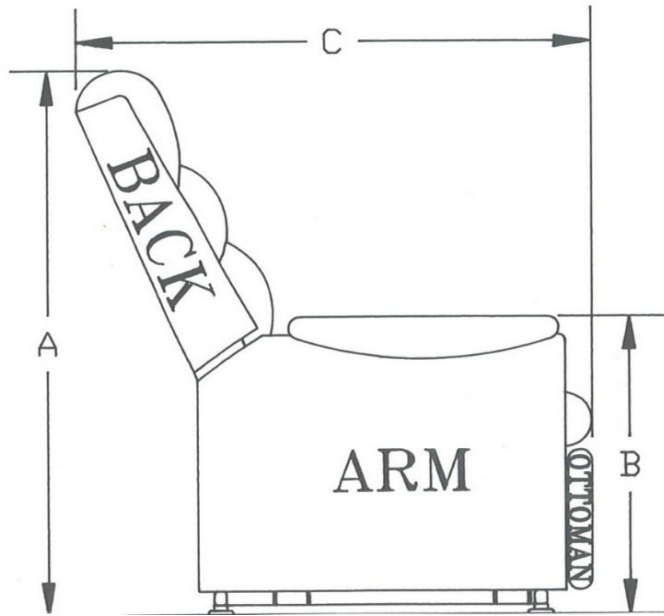
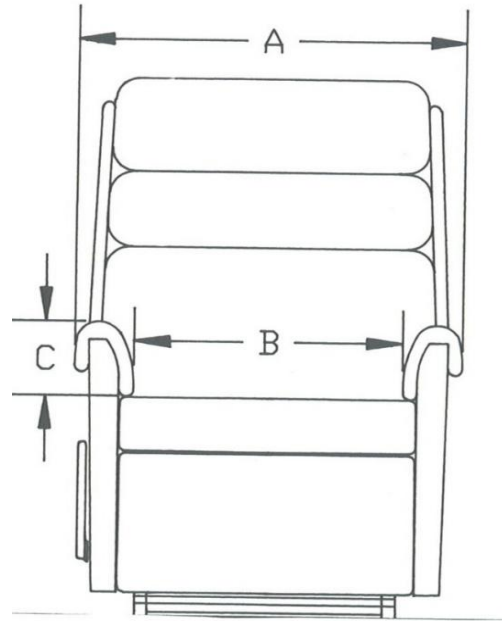


BACK HEIGHT TO FLOOR	(A)	<u>45 1/2"</u>
ARM HEIGHT TO FLOOR	(B)	<u>27"</u>
OVERALL DEPTH	(C)	<u>43 1/2"</u>

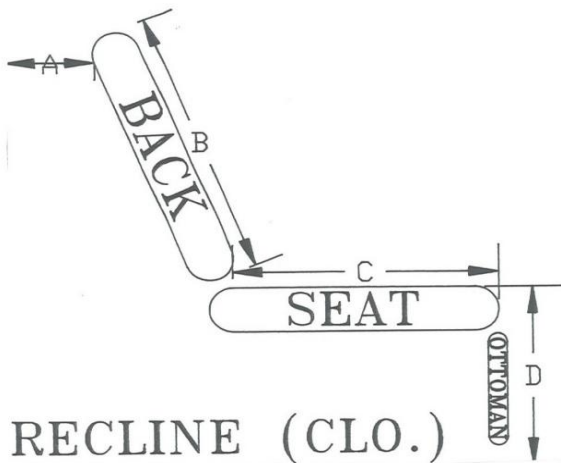


WEIGHT: 121 LBS

OVERALL CHAIR WIDTH	(A)	<u>38"</u>
WIDTH OF SEAT	(B)	<u>22"</u>
ARM HEIGHT FROM SEAT	(C)	<u>3 1/2"</u>

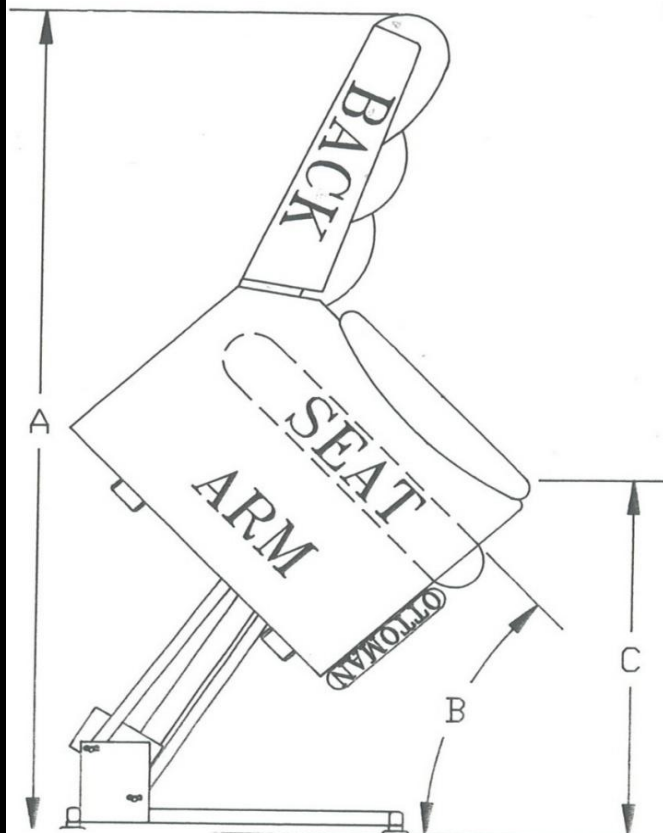


DISTANCE TO WALL	(A)	<u>14 1/2"</u>
BACK HEIGHT FROM SEAT	(B)	<u>28 1/2"</u>
SEAT DEPTH	(C)	<u>23 1/2"</u>
SEAT HEIGHT	(D)	<u>21 3/4"</u>



LIFT CHAIRS ONLY

OVERALL CHAIR HEIGHT	(A)	<u>62"</u>
ANGLE OF SEAT TO FLOOR	(B)	<u>23"</u>
ARM HEIGHT FROM FLOOR	(C)	<u>31"</u>



EXT. AT FULL RECLINE	(A)	<u>63 1/2"</u>
EXT. FROM BACK TO OTTOMAN	(B)	<u>45"</u>
HEIGHT OF OTT. AT FULL REC.	(C)	<u>21"</u>

