



# DIMENSION DETAILS

## TWO-PIECE TOILET

 Email: [bestgoservice@126.com](mailto:bestgoservice@126.com)

 Hotline: 626 679 3588

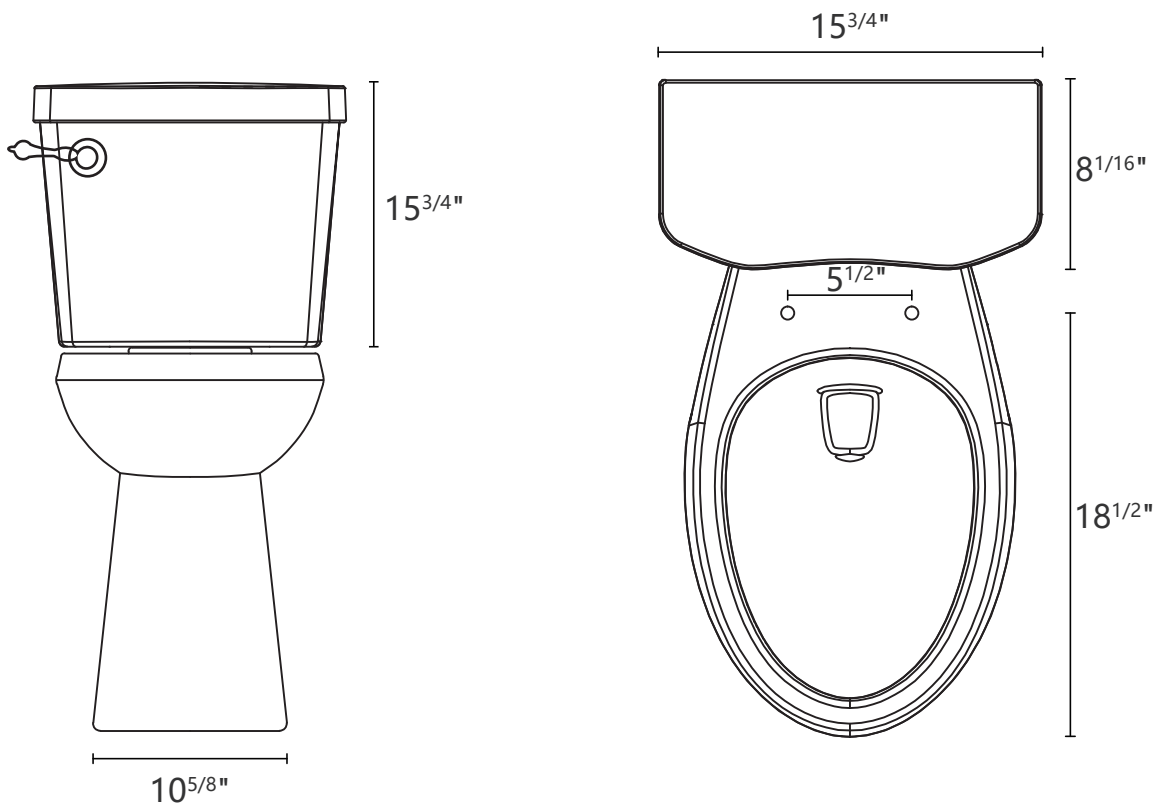


PRODUCT  
INSTRUCTION  
VIDEO



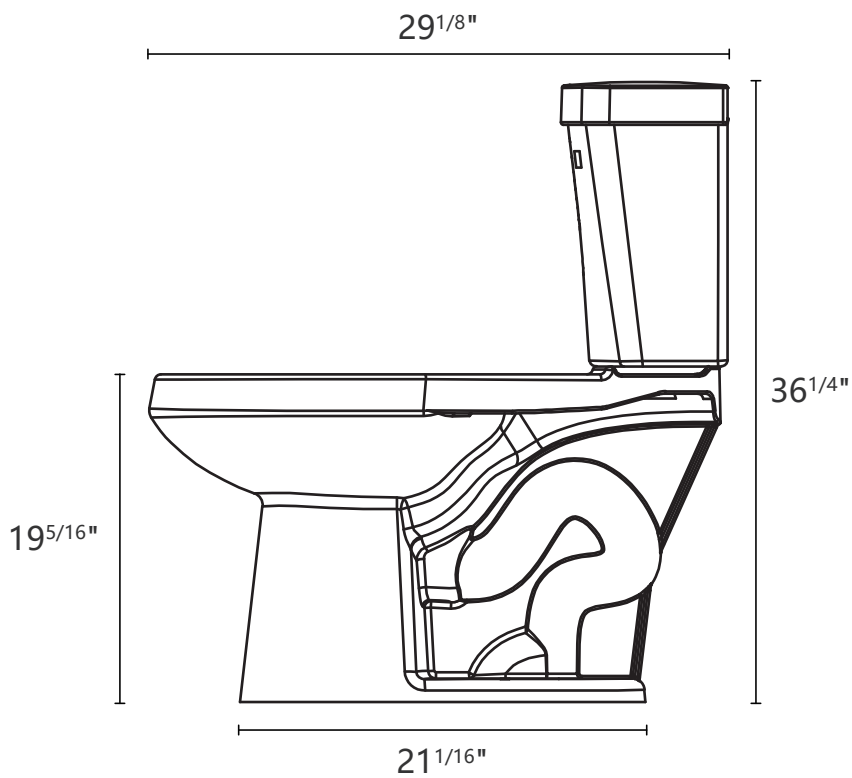
**GT69-S01** (GP-T192460-CH)

# PRODUCT SIZE



Front View

Top View



Side View