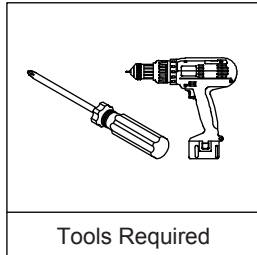
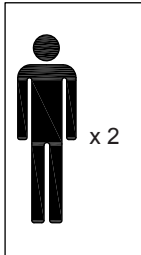
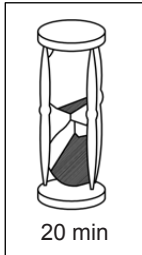
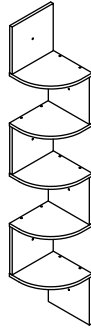
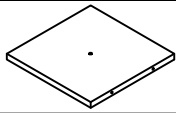

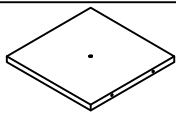





5 Tier Wall Mount Corner Shelf



USEFUL HINTS BEFORE YOU START:

1. Read each step carefully before starting.
2. It is important that each step is performed in correct order to avoid difficulties.
3. Identify, sort and count the parts before assembly.
4. Assemble your furniture on packaging cardboard to prevent scratch or damage.
5. Clean the product with mild cleanser using soft damped cloth.
Do not use harsh or abrasive cleanser.
6. Using incompatible hardware might cause damage to product.

NO	PARTS LIST	QTY
A	TOP PANEL / BOTTOM PANEL 	2pcs
B	SHELF PANEL 	5pcs
C	CENTER PANEL 	4pcs

NO	HARDWARE LIST	QTY
1	C/B SCREW M4x32mm 	26pcs
2	SCREW COVER 	26pcs
3	WALL PLUG 	6pcs

