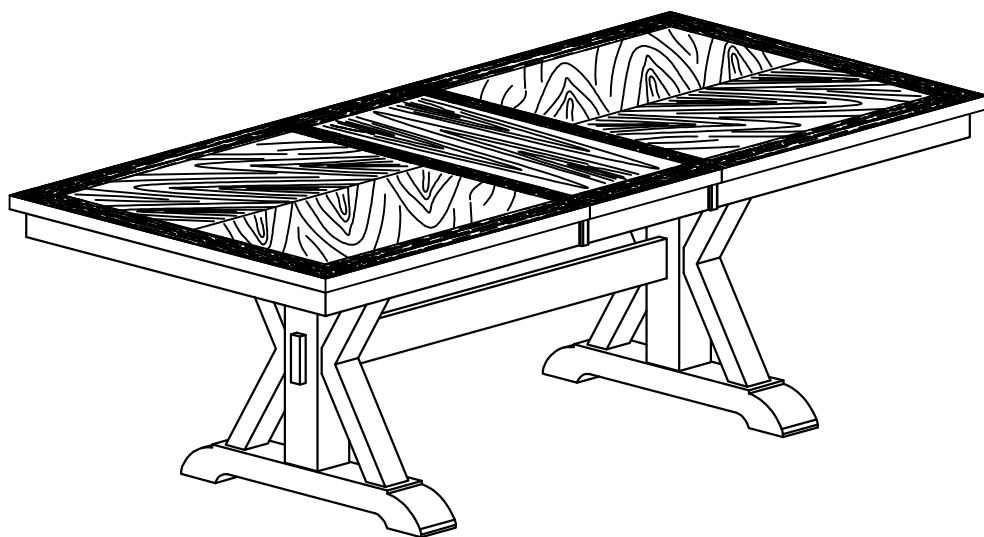


ASSEMBLY INSTRUCTIONS



TOOLS REQUIRED



Allen Wrench

(Included)



2 - People
Recommended

ASSEMBLY RATING



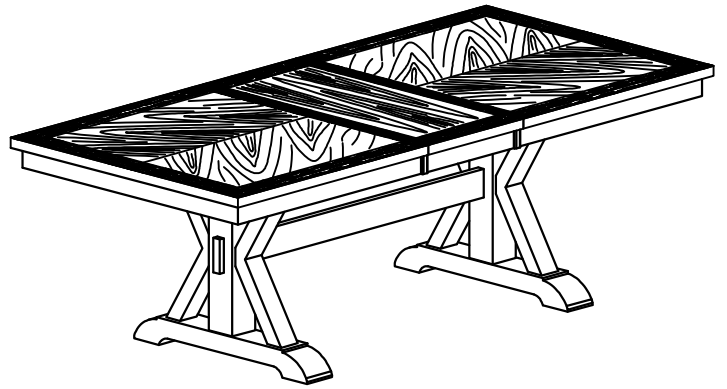
EASY —————> DIFFICULT

The Assembly Rating is a 5-point system showing the level of effort needed to assemble a specific product.

DINING TABLE



- Please keep instructions for future reference.
- Check the quantity and irregularity of parts and hardware before you start.



PARTS

#1 1pc



Top Table

#2 1pc

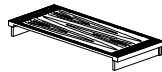
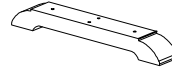


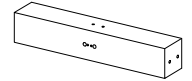
Table Leaf

#3 2pcs



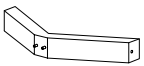
Base

#4 2pcs



Pedestal Column

#5 4pcs



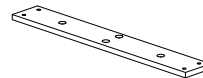
Leg

#6 2pcs



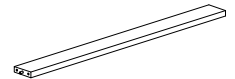
Mounting Plate 1

#7 2pcs



Mounting Plate 2

#8 1pc



Stretcher

HARDWARE

#A 12pcs



Bolt Ø5/16" x 3"

#B 8pcs



Bolt Ø5/16" x 2"

#C 16pcs



Bolt Ø5/16" x 1-1/2"

#D 36pcs



Lock Washer
Ø5/16"x13mm

#E 36pcs



Flat Washer
Ø5/16"x19mm

#F 1pc



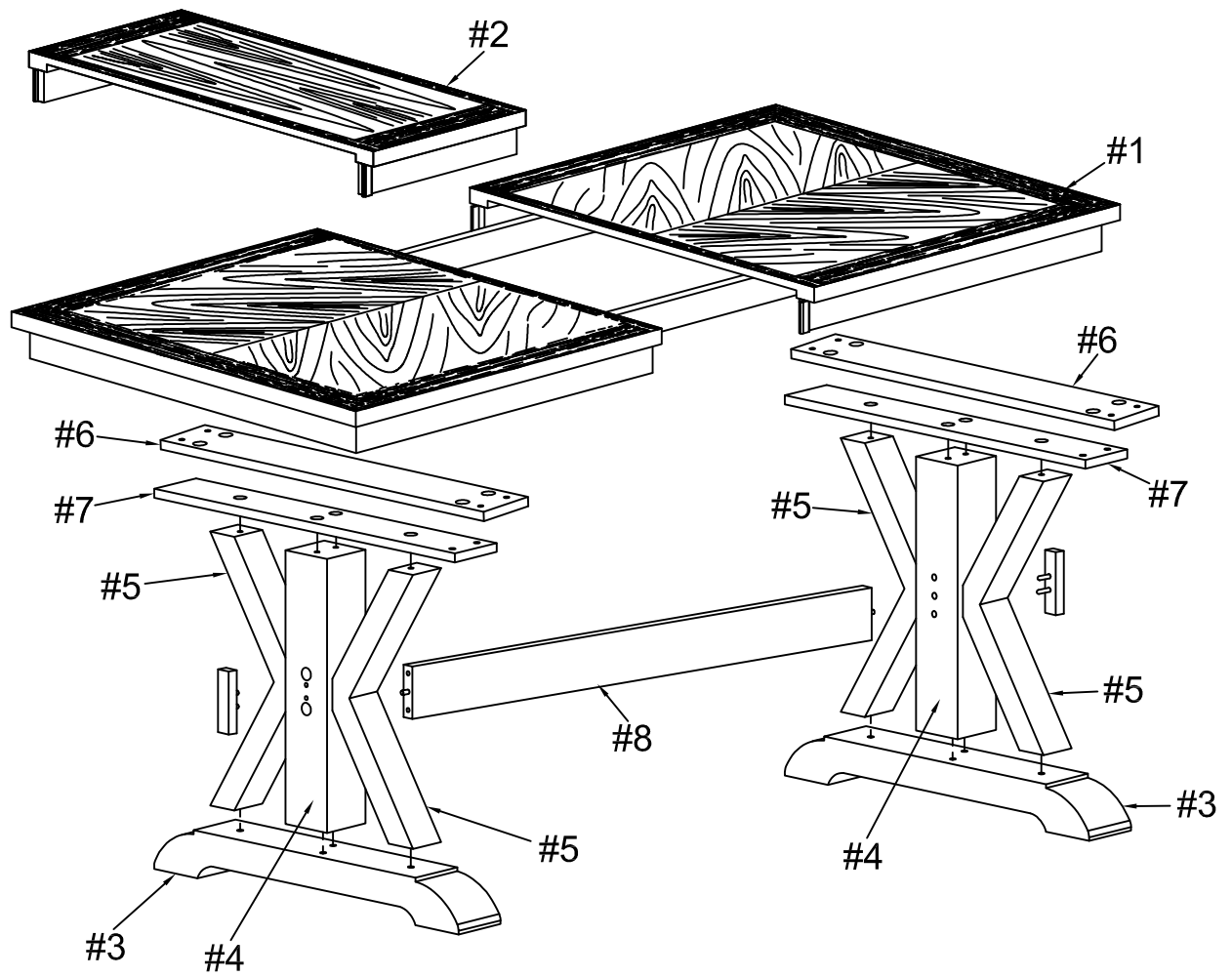
Allen Wrench M4

#G 2pcs



Wooden Plug

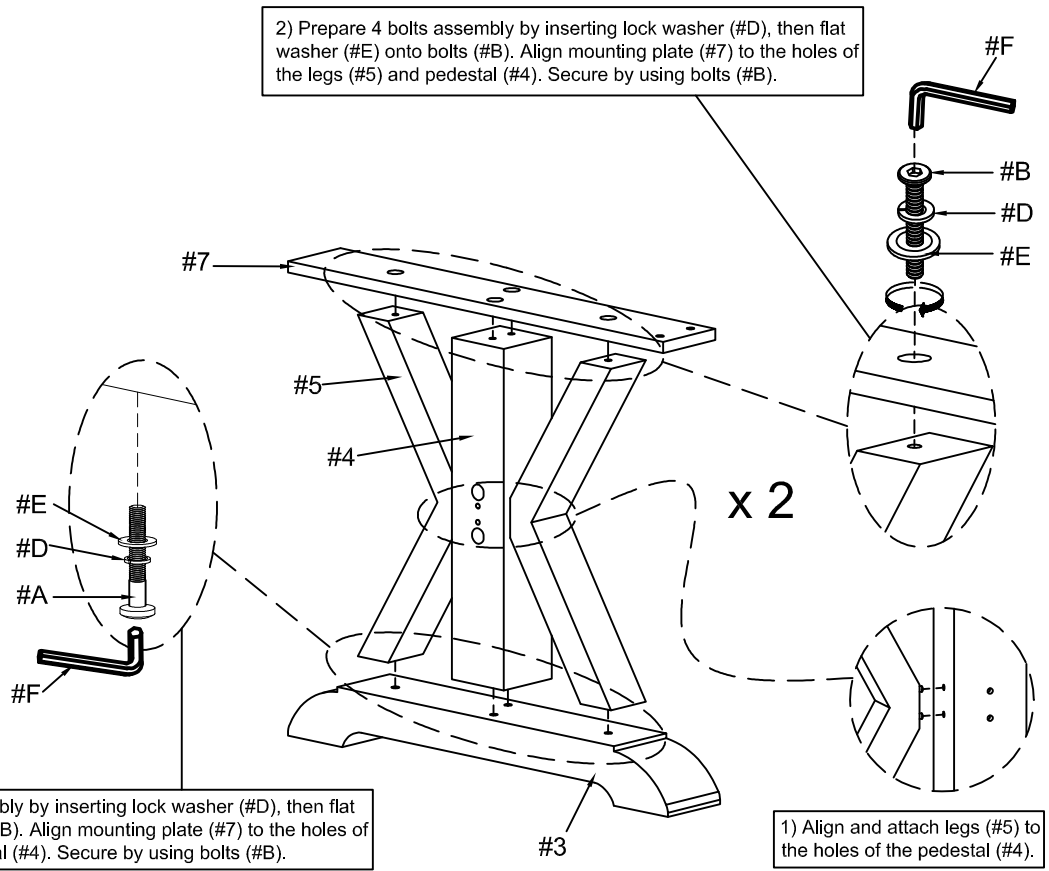
Exploded View



ASSEMBLY INSTRUCTIONS

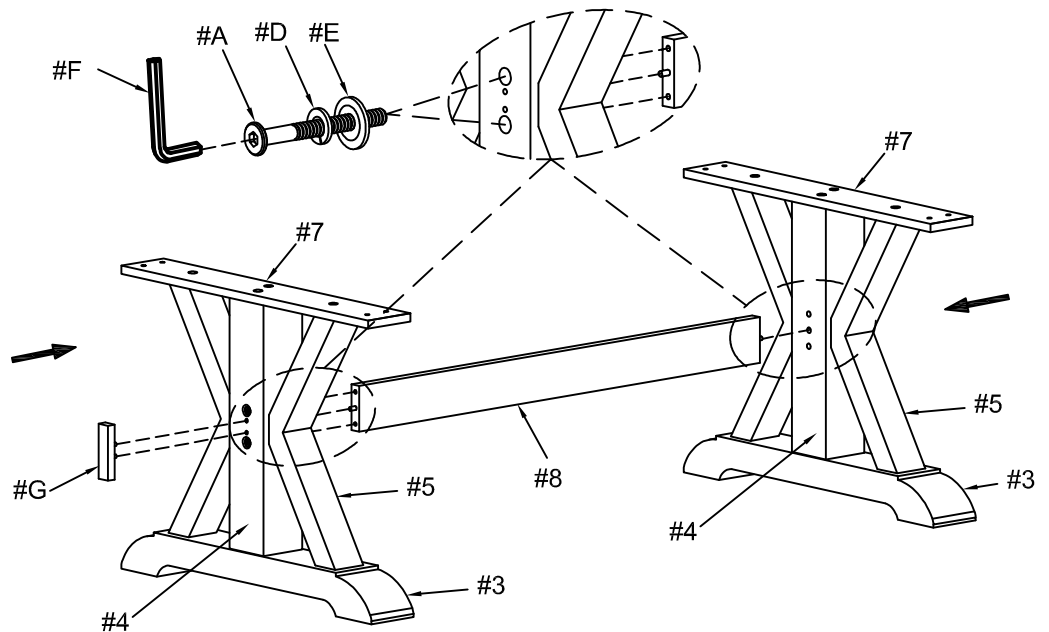
1

- Part #3 x2pcs
- Part #4 x2pcs
- Part #5 x4pcs
- Part #7 x1pc
- Hardware #B x8pcs
- Hardware #D x8pcs
- Hardware #E x8pcs
- Hardware #A x8pcs
- Hardware #D x8pcs
- Hardware #E x8pcs



2

- Part #8 x1pc
- Hardware #A x4pcs
- Hardware #D x4pcs
- Hardware #E x4pcs
- Hardware #G x2pcs



ASSEMBLY INSTRUCTIONS

3

Part #1 x1pc

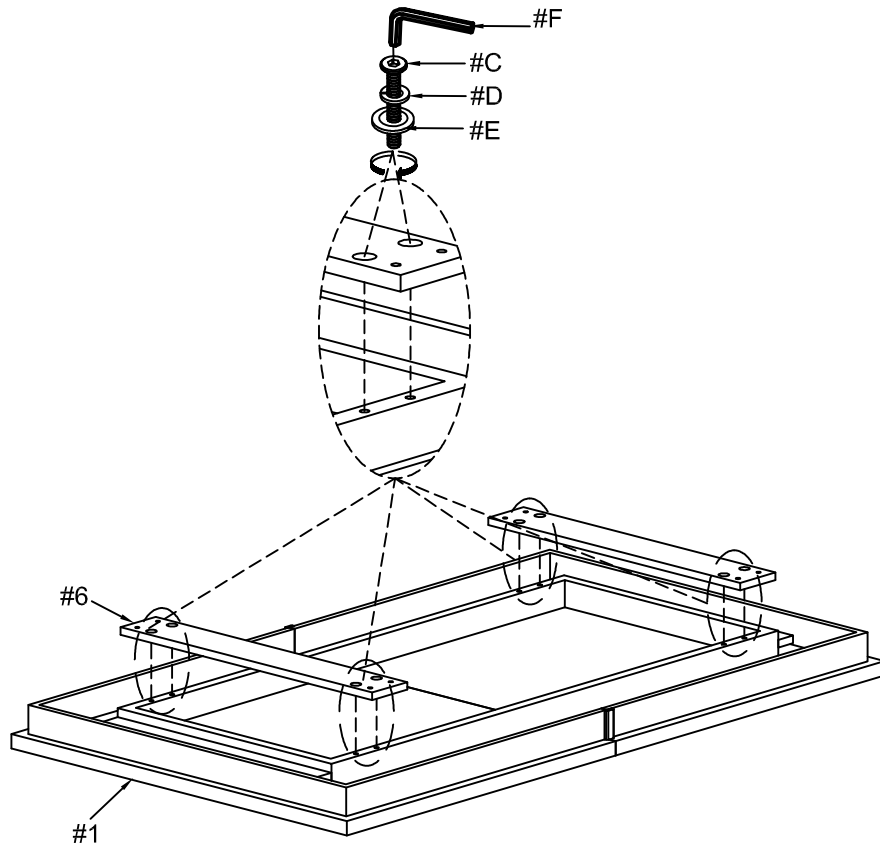
Part #6 x2pcs

Hardware #C x8pcs

Hardware #D x8pcs

Hardware #E x8pcs

Prepare 8 bolts assembly by inserting lock washer (#D), then flat washer (#E) onto bolts (#C). Align mounting plate (#6) to the holes of the table top (#1). Secure by using bolts (#C).



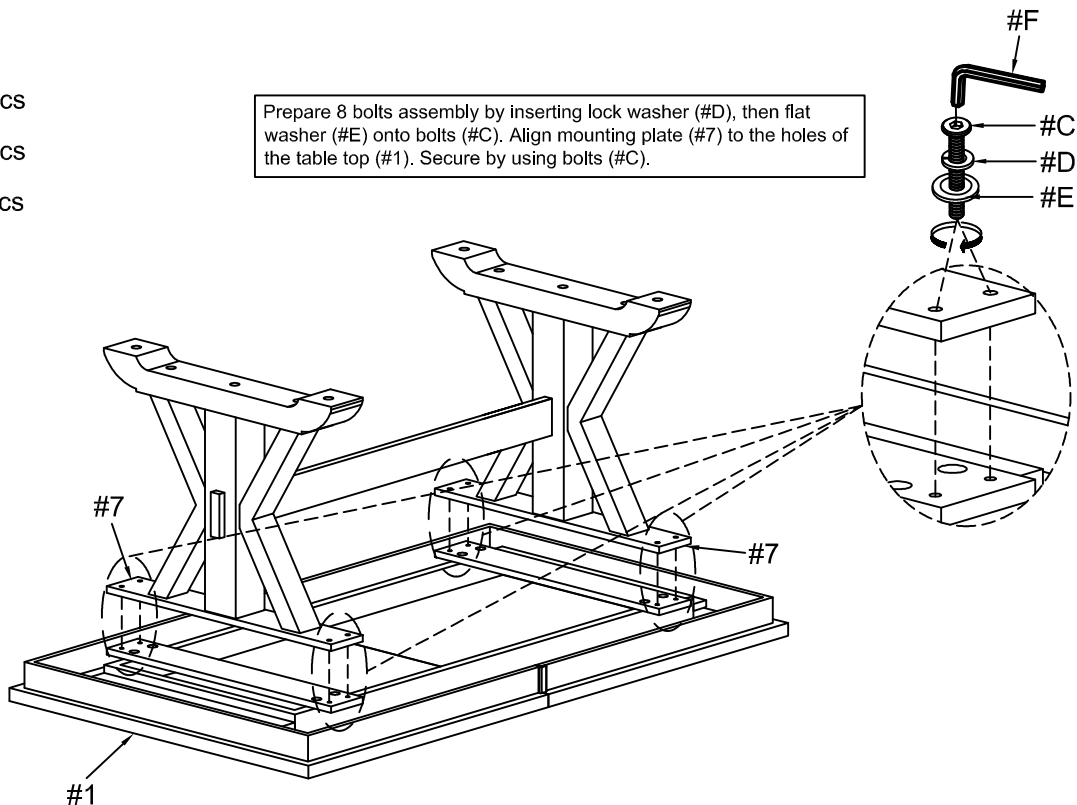
4

Hardware #C x8pcs

Hardware #D x8pcs

Hardware #E x8pcs

Prepare 8 bolts assembly by inserting lock washer (#D), then flat washer (#E) onto bolts (#C). Align mounting plate (#7) to the holes of the table top (#1). Secure by using bolts (#C).

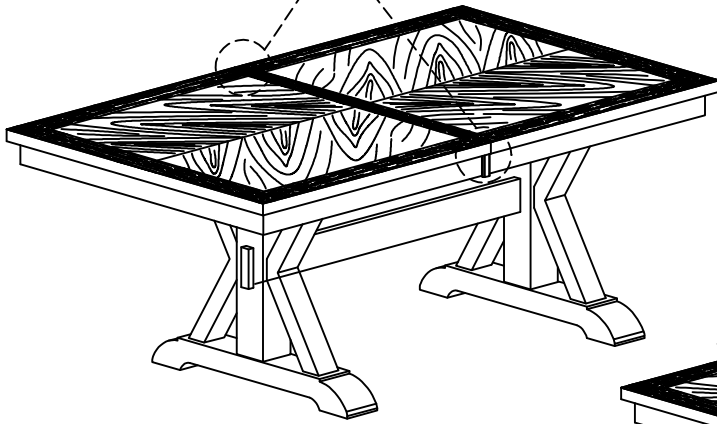
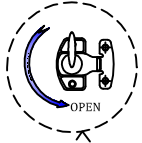


ASSEMBLY INSTRUCTIONS

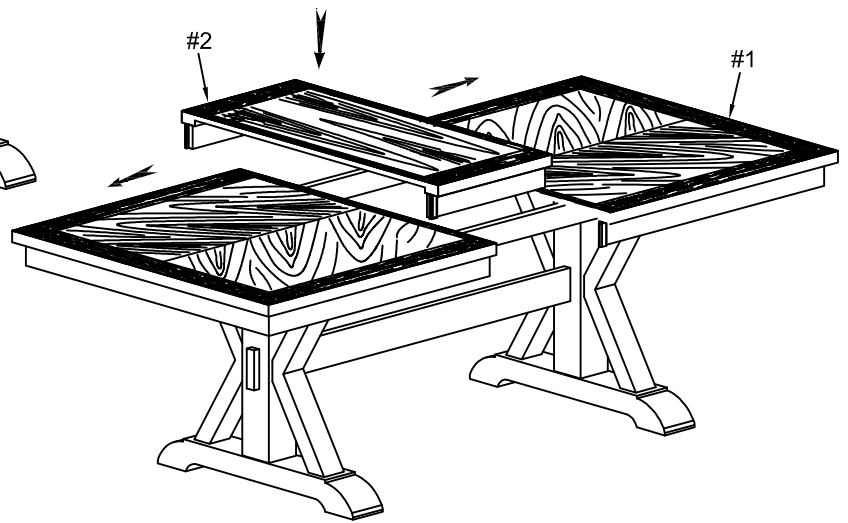
5

Part #2 x1pc

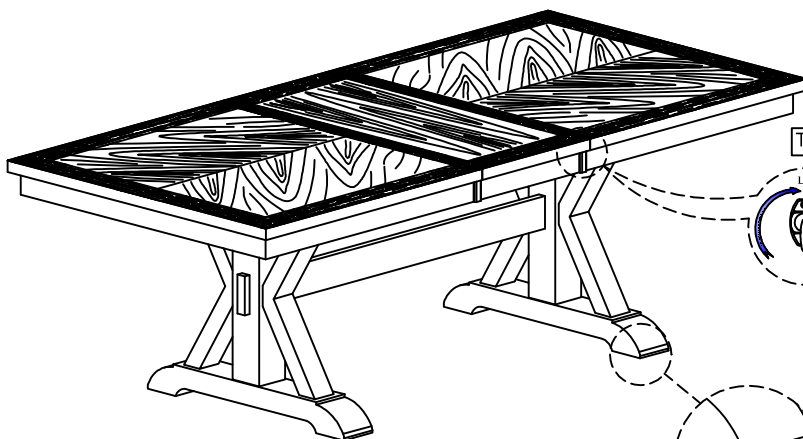
Turn lever to open.



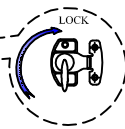
Extend table (#1), then place leaf (#2).



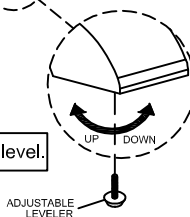
6



Turn lever to lock.



Adjust leveler of the base according to ground level.



ADJUSTABLE
LEVELER

ASSEMBLY COMPLETED



Please ensure the furniture rests on an even and flat surface. If the product wobbles or feels loose, double-check all bolts and/or screws are properly tightened and secured.



Keep this handy!

Please retain this instruction manual and any order-related information for future reference.



Lift, don't drag!

To avoid damage to product please always LIFT the product when transporting or adjusting the placement.