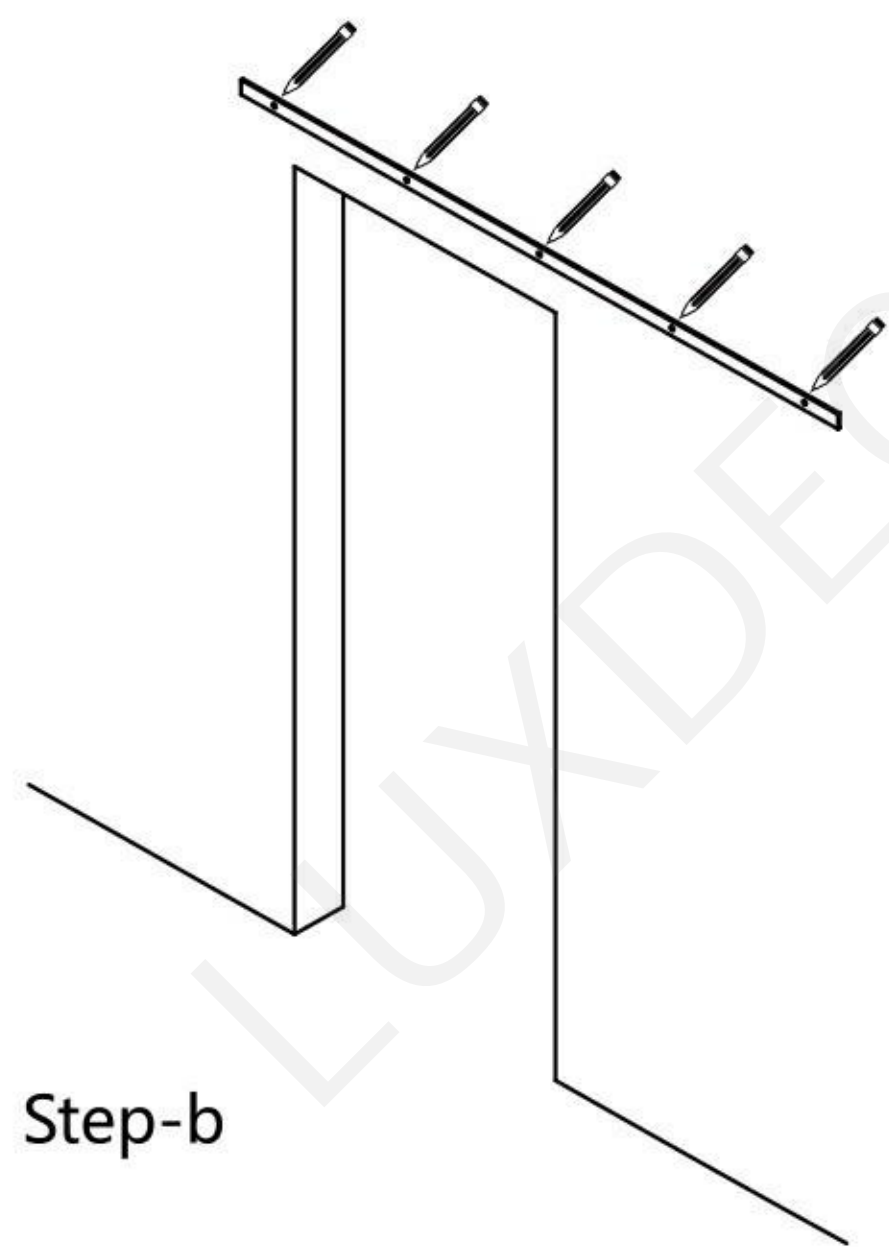


1. ( 1.69" + Door Height ) is the distance between the finished floor and the horizontal line that you will pencil for the track.

2. Check if your floor is level. If not, please measure the distance from the highest point of your floor.

3. Make sure that the horizontal line has the same length as your track length. So you can easily find your track hole center position to attach the track to your wall in the following steps.

Step-a



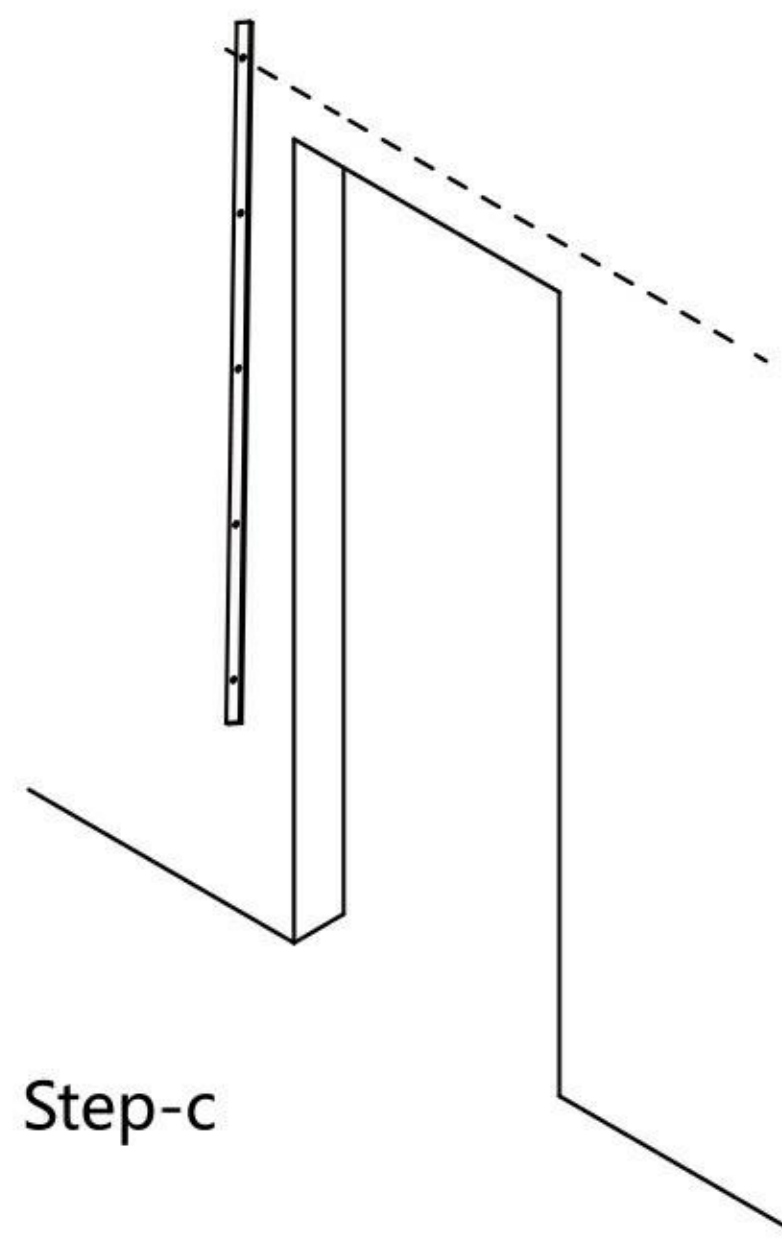
1. Hold up your track so that the marked line from Step-a will be visible through the track holes.

2. Mark an intersecting line in the center point of each track hole.

3. Set the track down.

4. Drill out your marked track holes using a drill with "12mm" drill bit. If wooden wall, you do not need to drill holes.

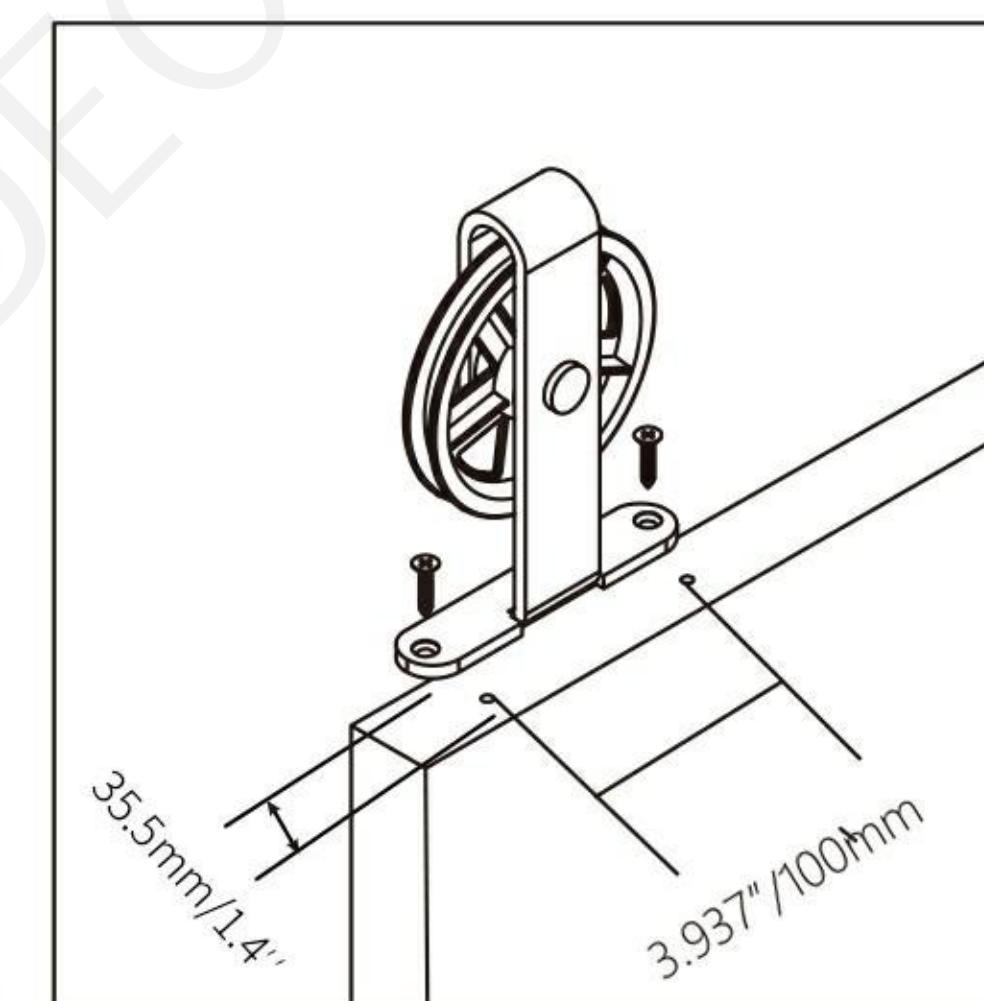
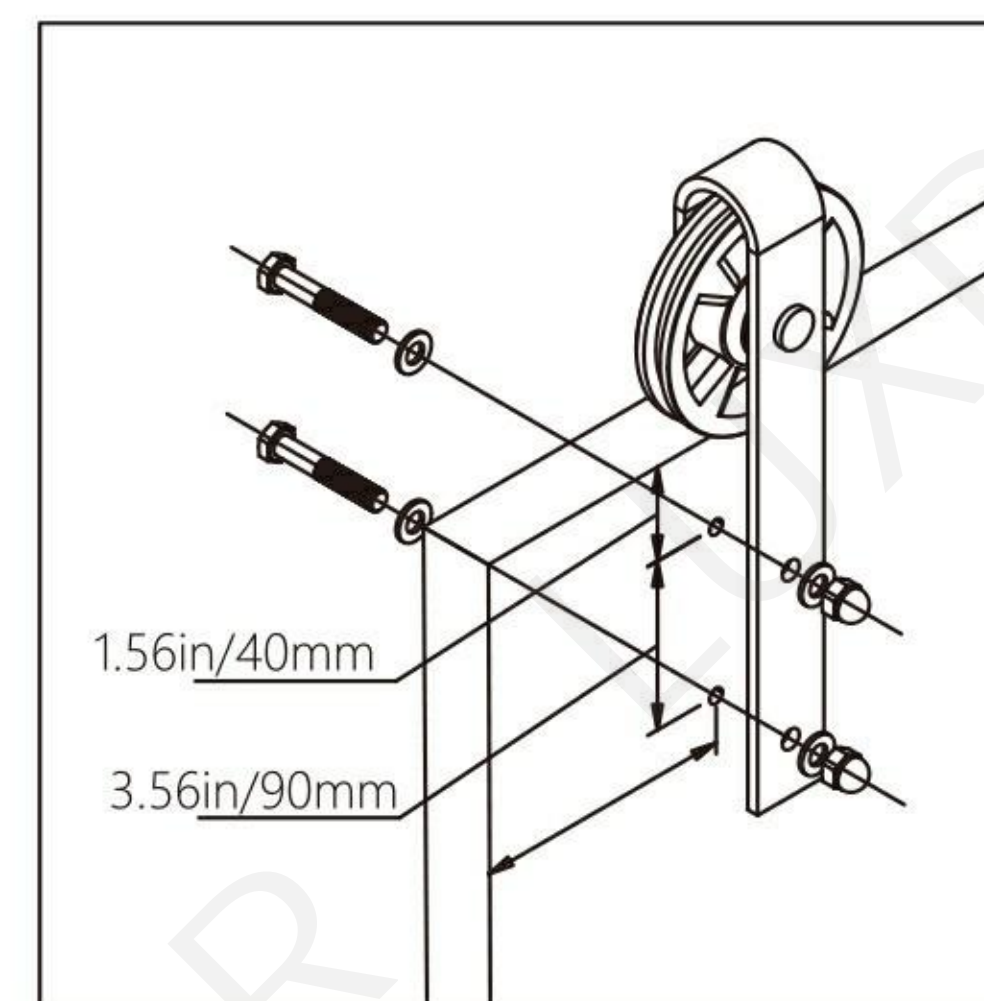
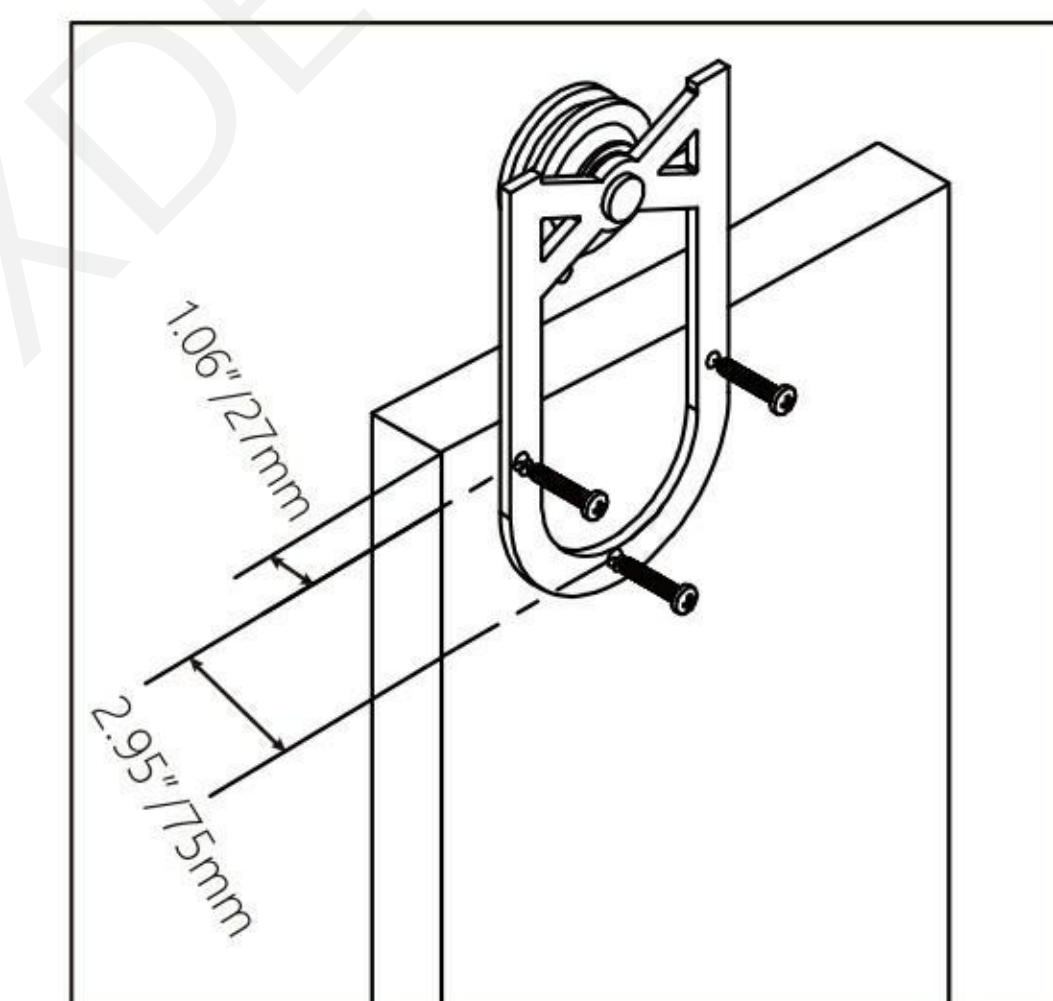
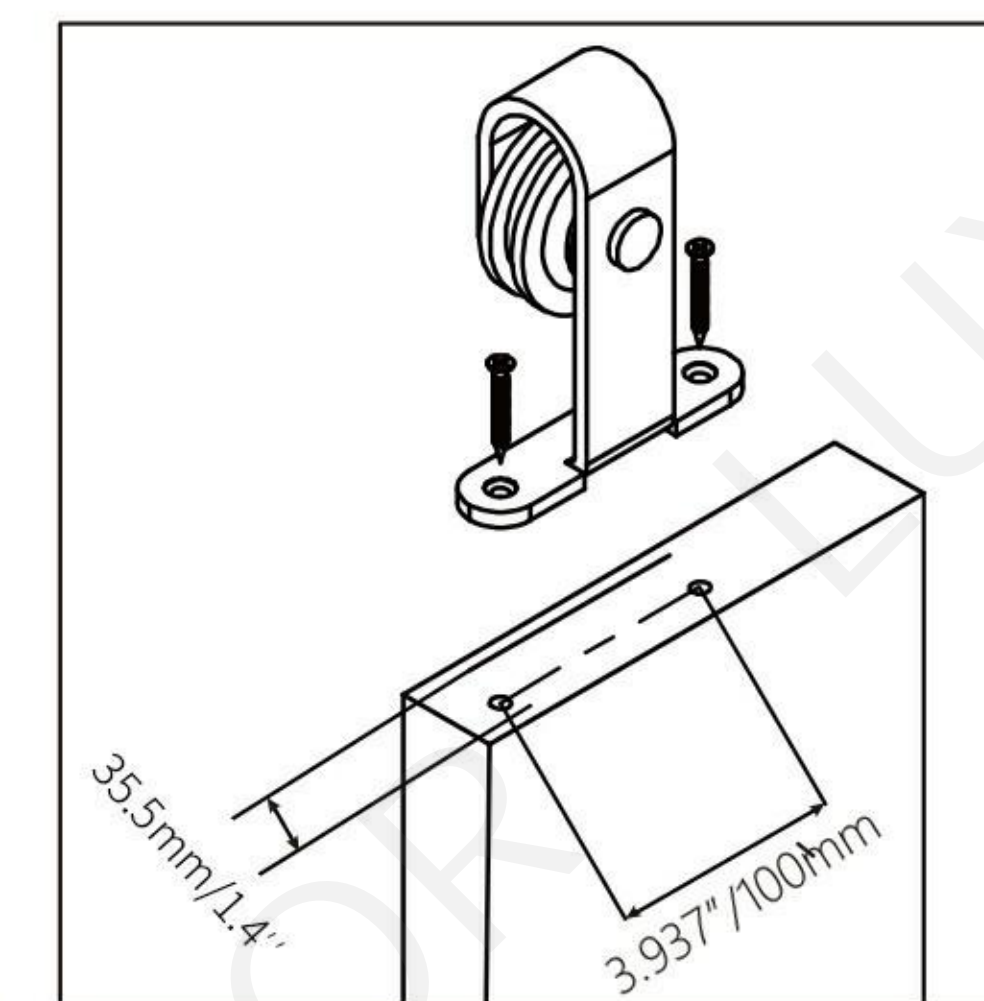
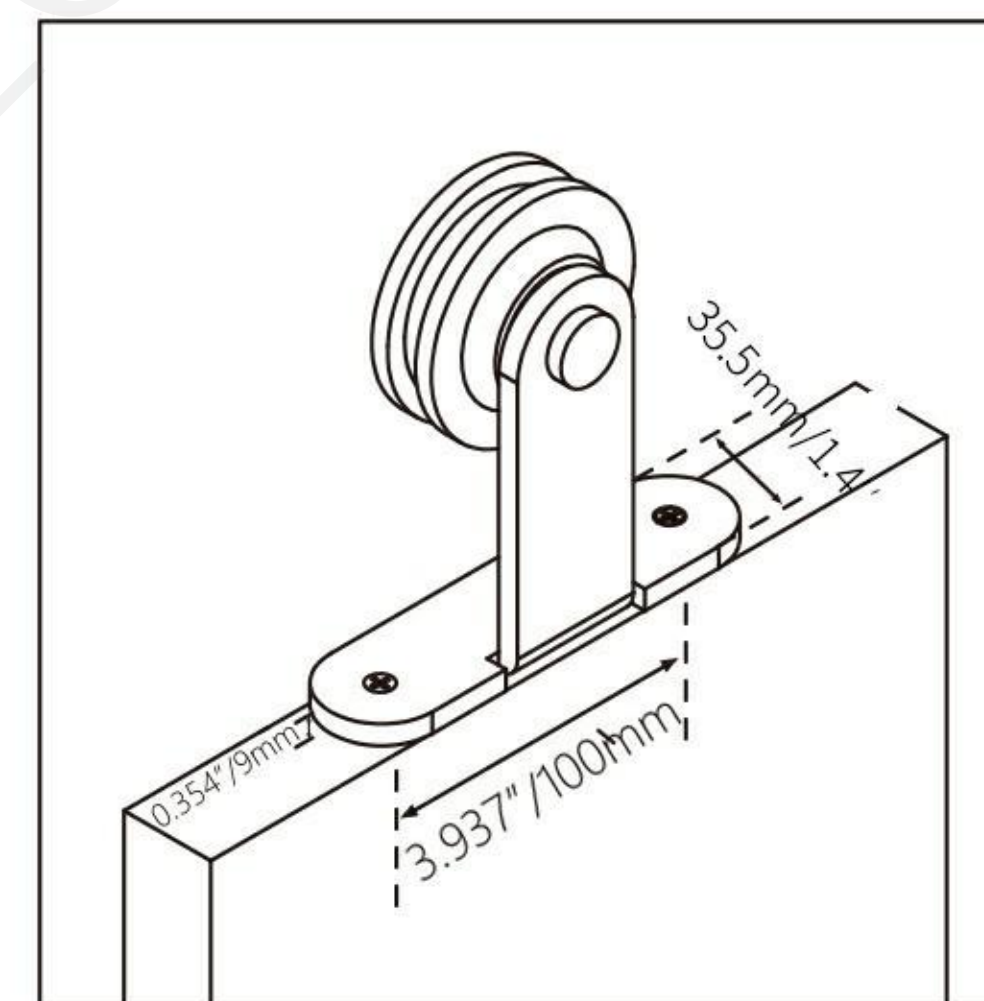
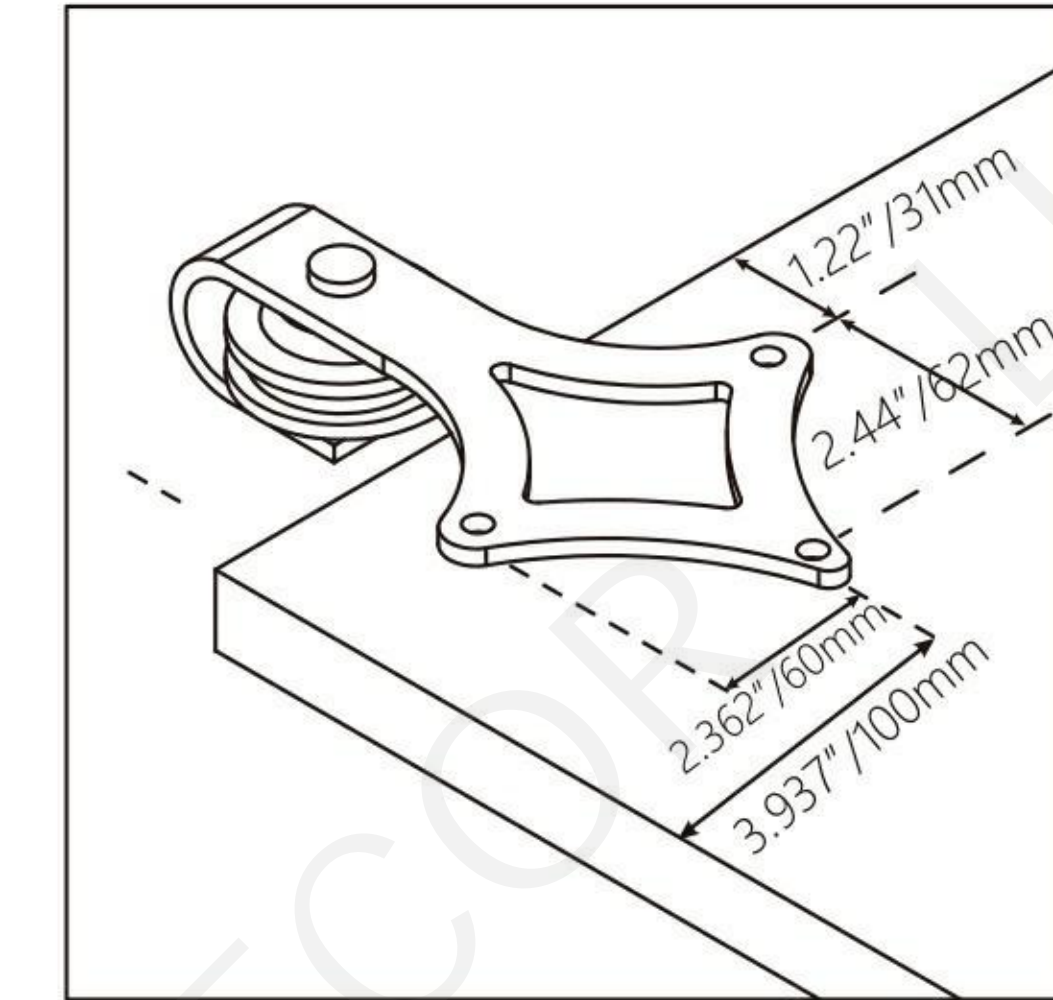
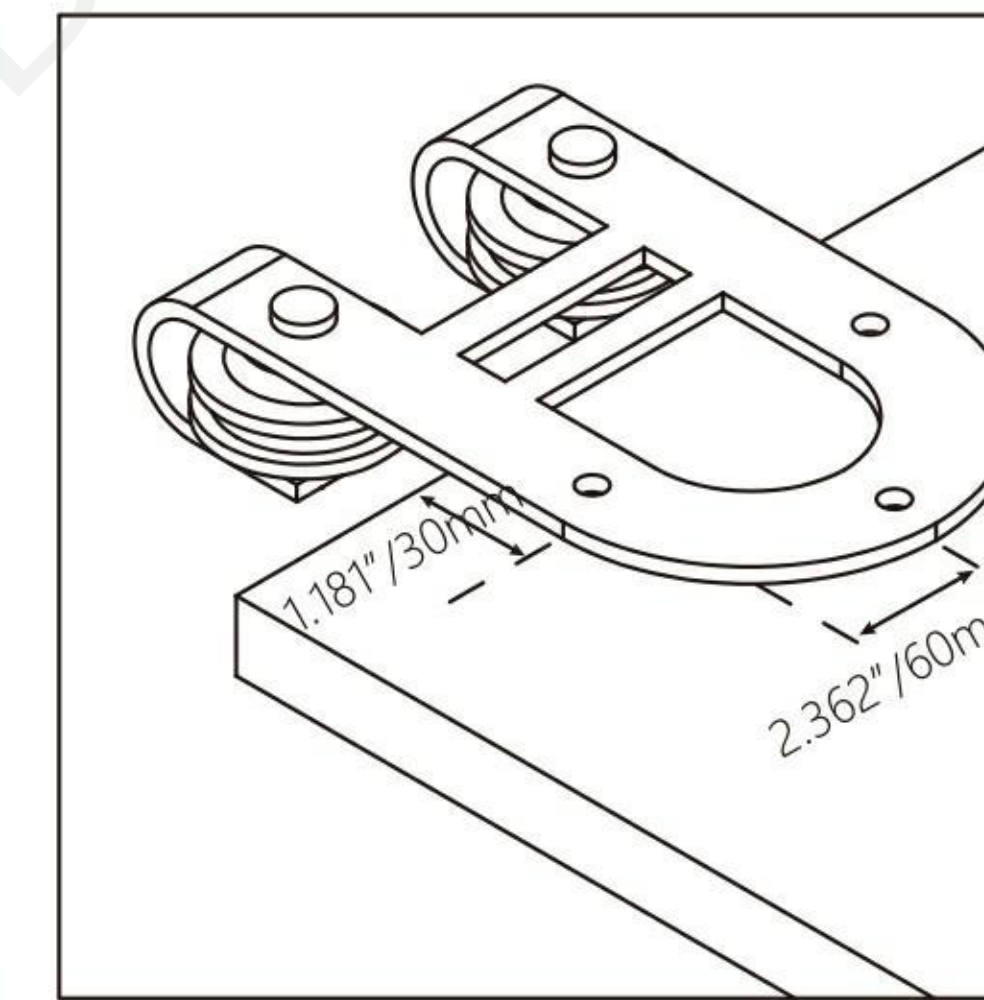
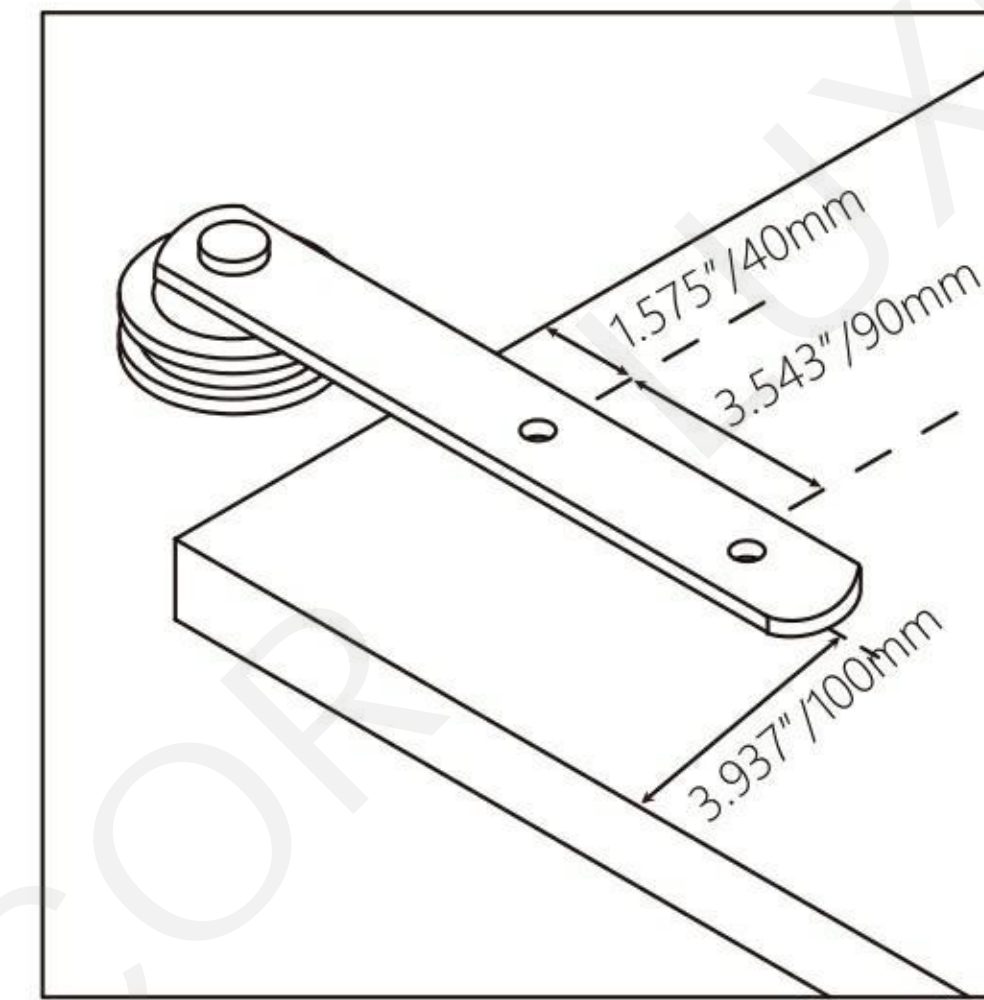
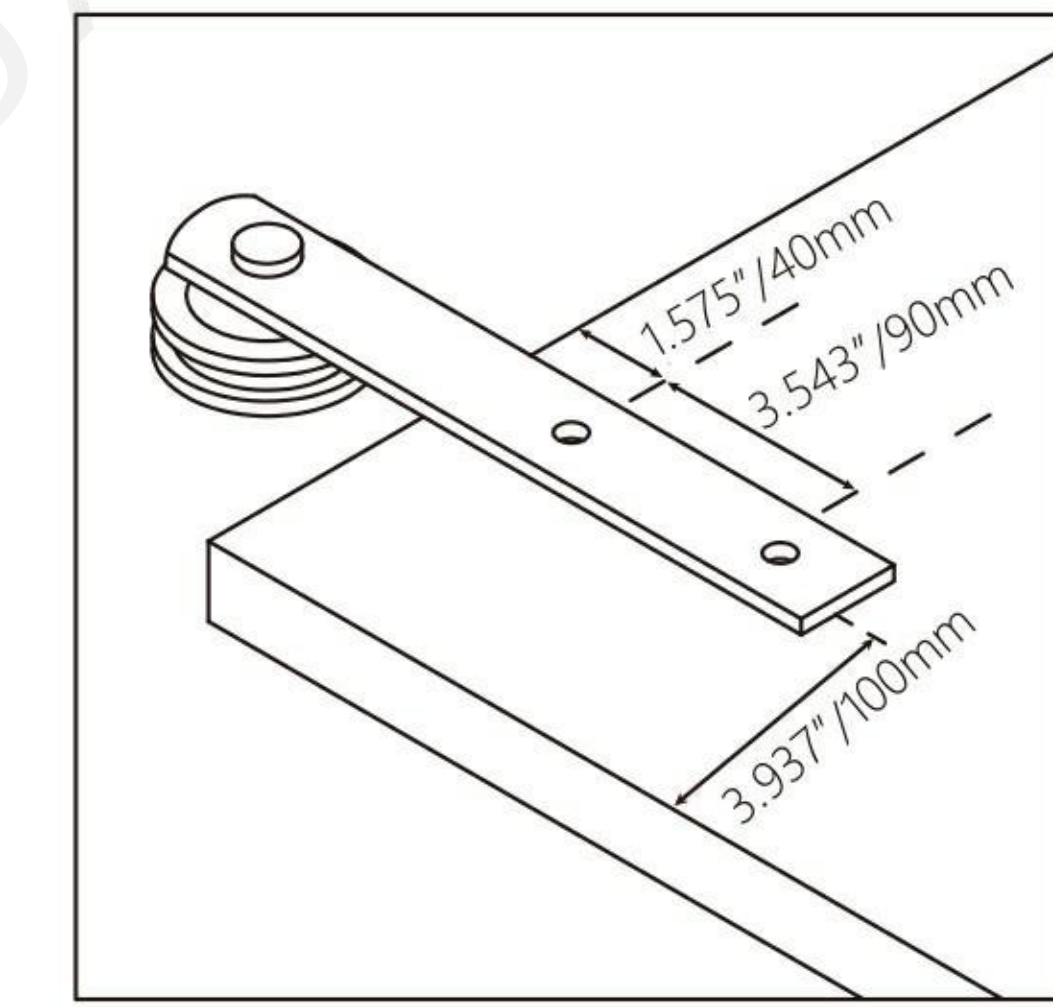
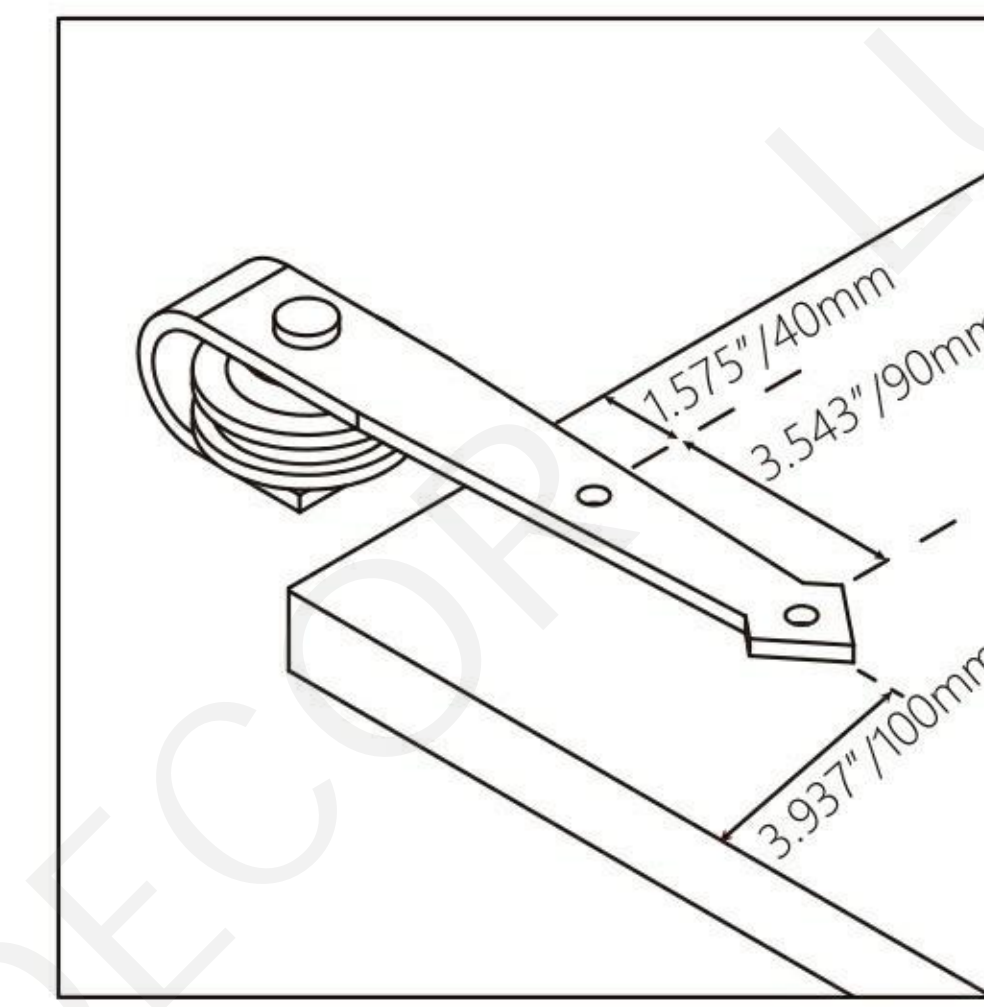
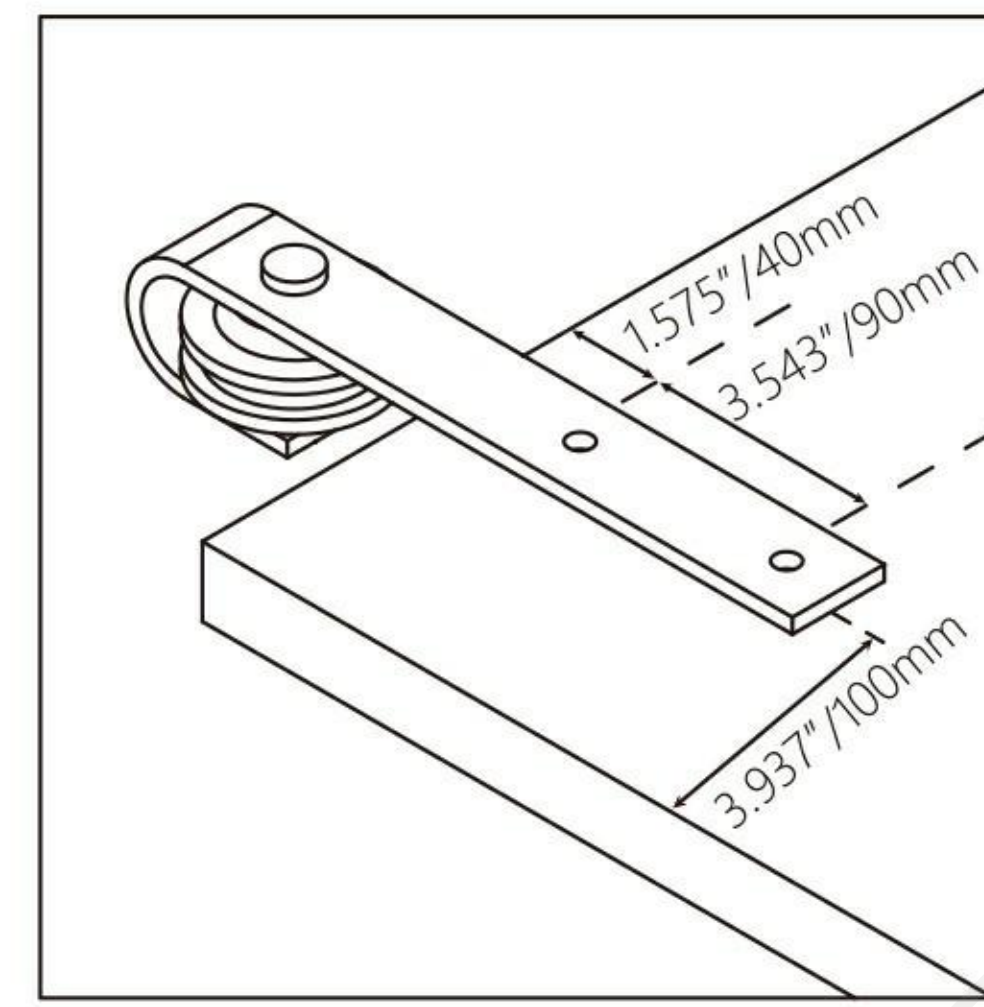
Step-b

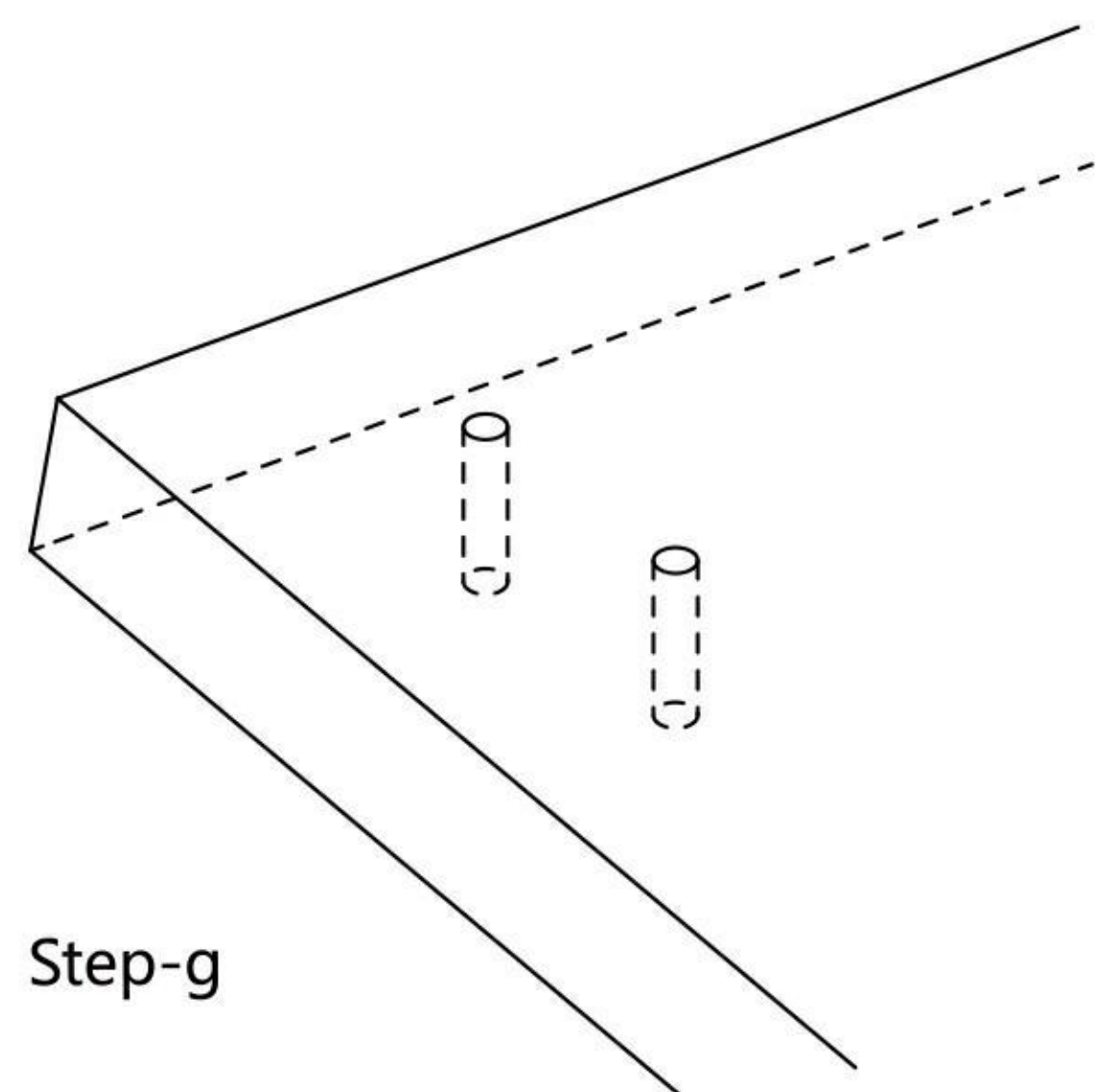


1. Put a door stopper on the end of the track and use the hex wrench to make it tight later. (See below)

2. Loosely attach the end of the track on the wall.

Step-c

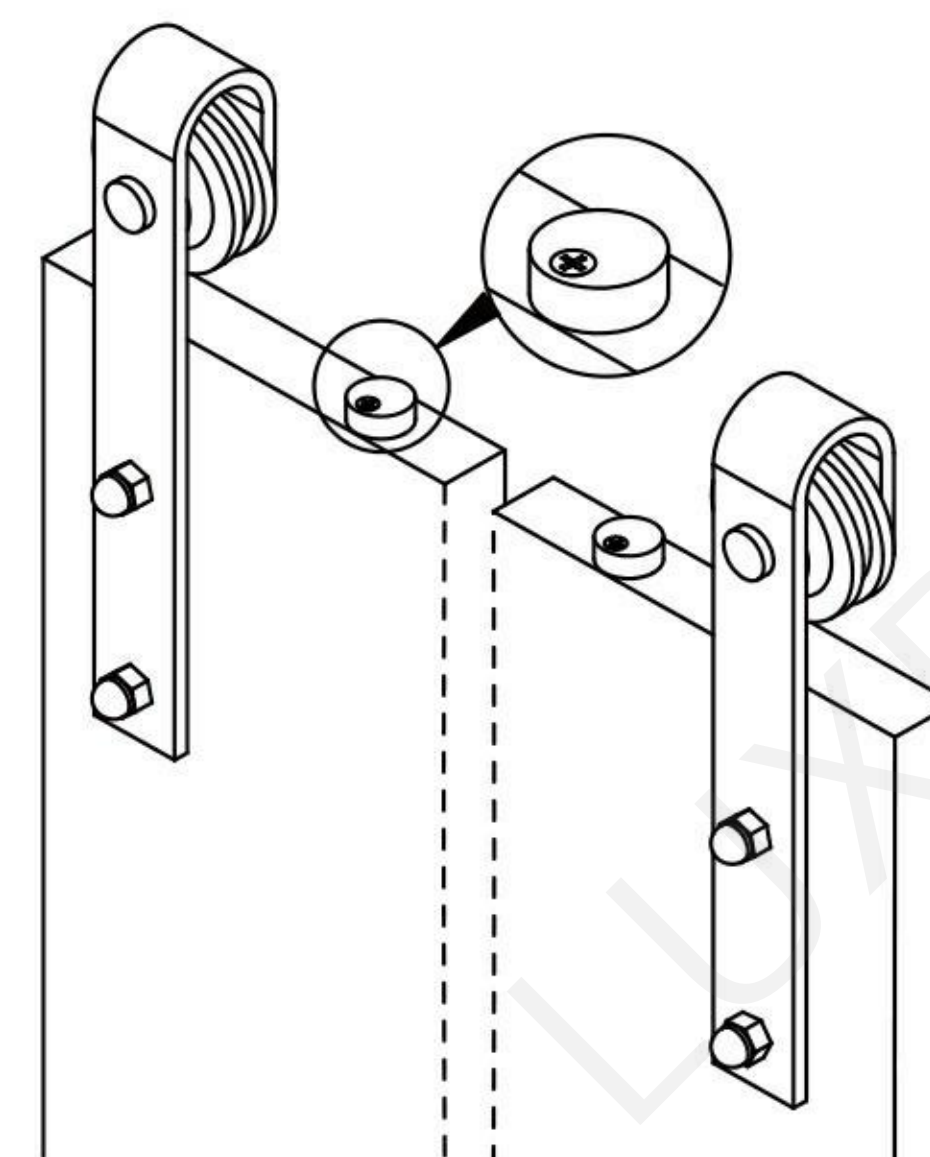




Step-g

1. Drill a pilot hole all the way through the door using a "10mm" bit at the center that you had marked from Step-f. Be careful and make it smooth.

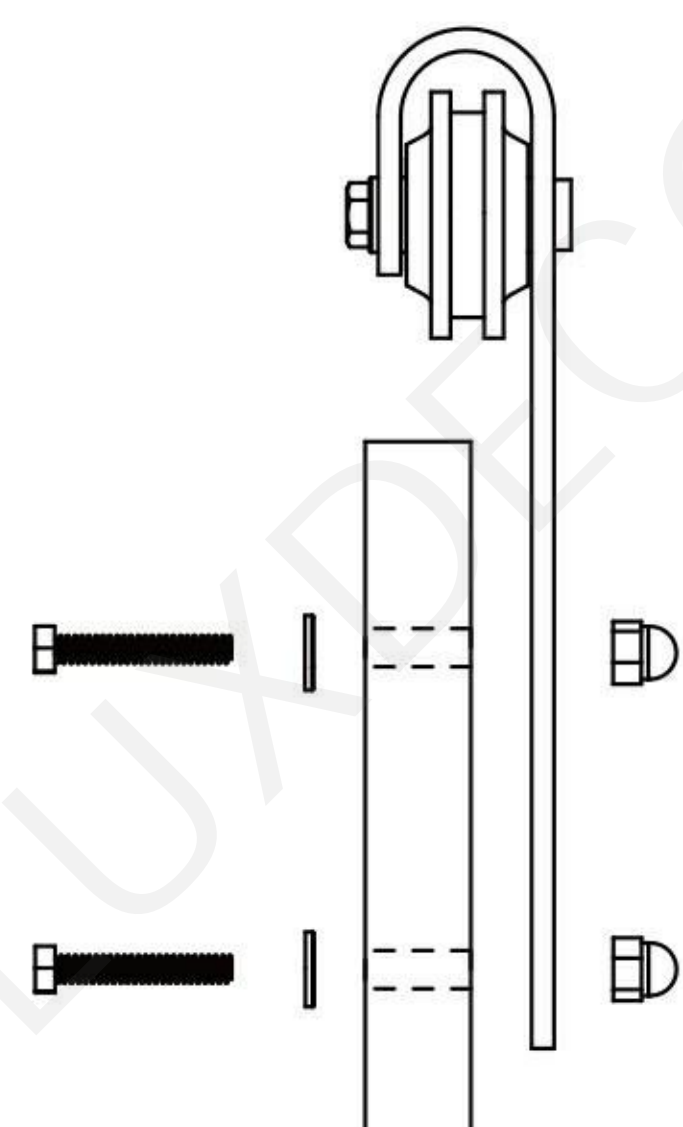
2. Repeat on the above the other centers that you have marked.



Step-j

1. Place your anti-jump pad on the top of the door near the hanger. Loosely attach the wood screw with the anti-jump pad to the door.

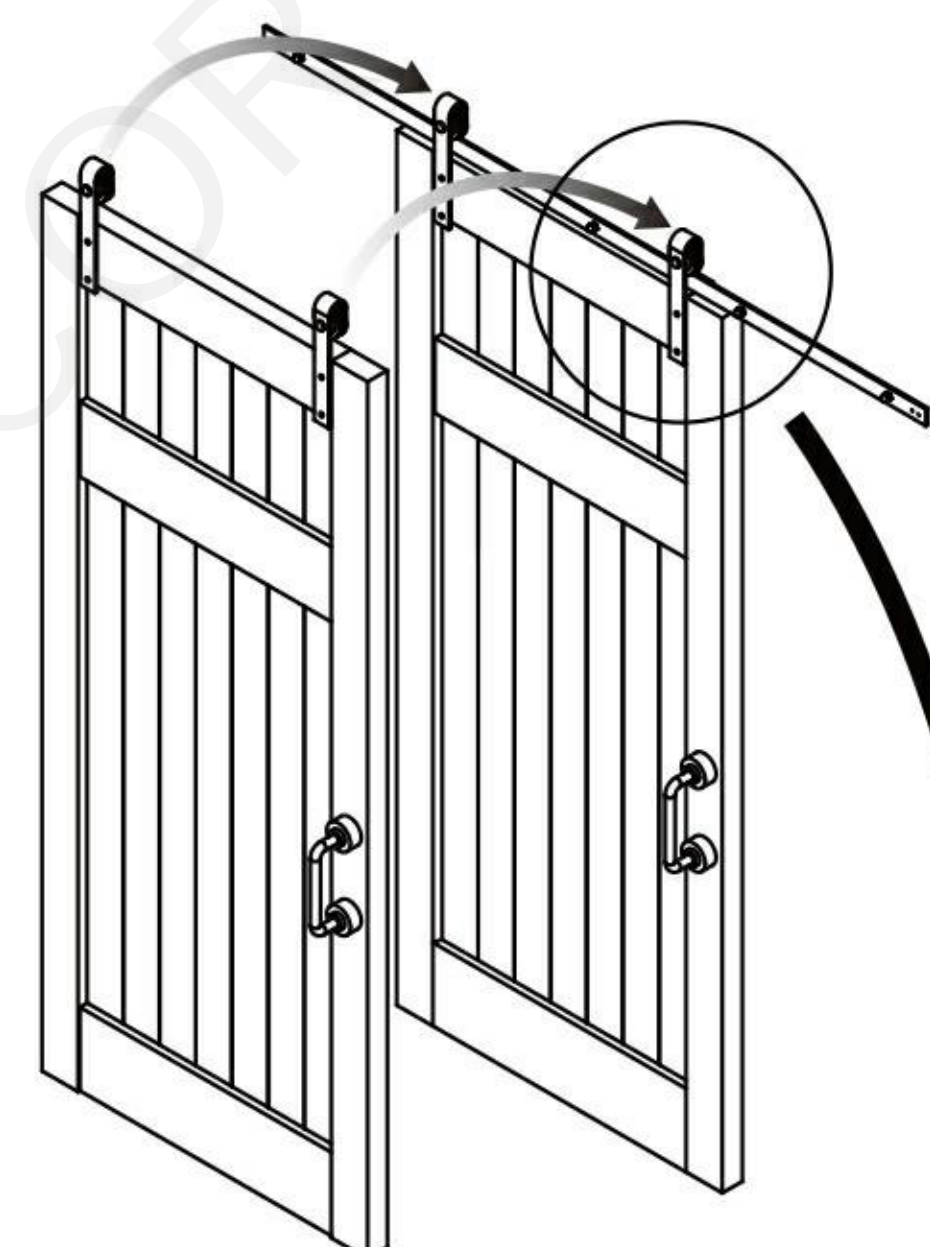
2. Swing it to the other side so that you can hang the door on the track. Then you should swing it back to the position and tighten it on the door. It can help prevent the door falling down from the track.



Step-h

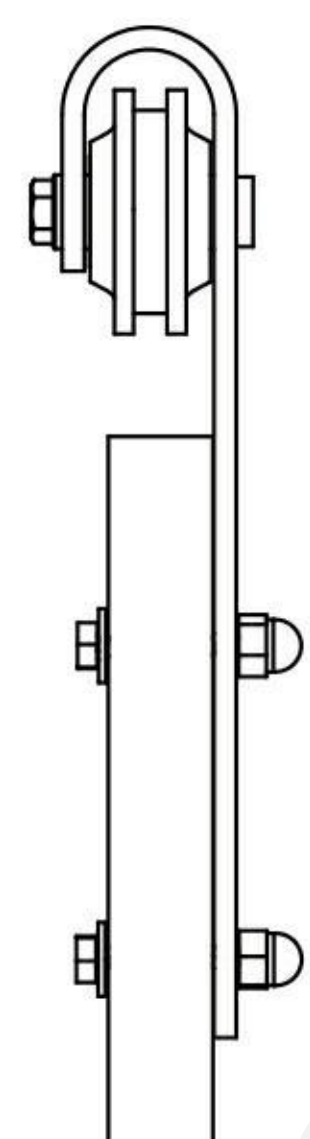
1. Thread the hex bolt with the washer through the back of the door.

2. Hold hex bolt in place using a wrench and tighten your acorn nut by hand.



Step-k

1. Lift your door up to your track at a slight angle and rest both wheel grooves onto the top of the track carefully.

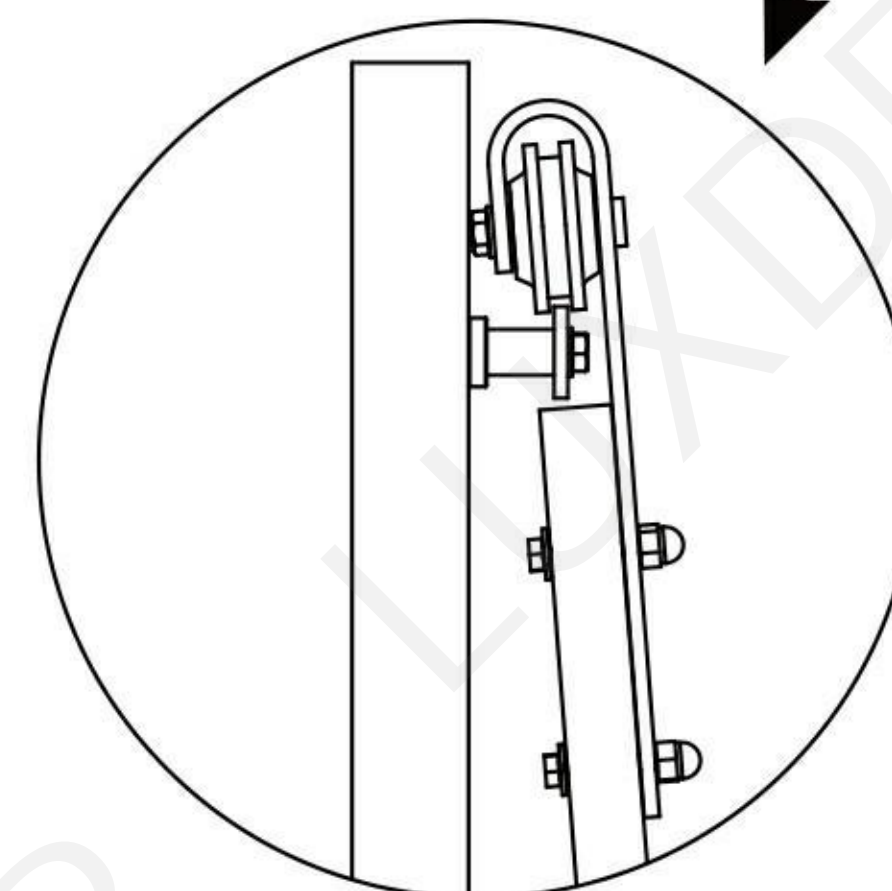


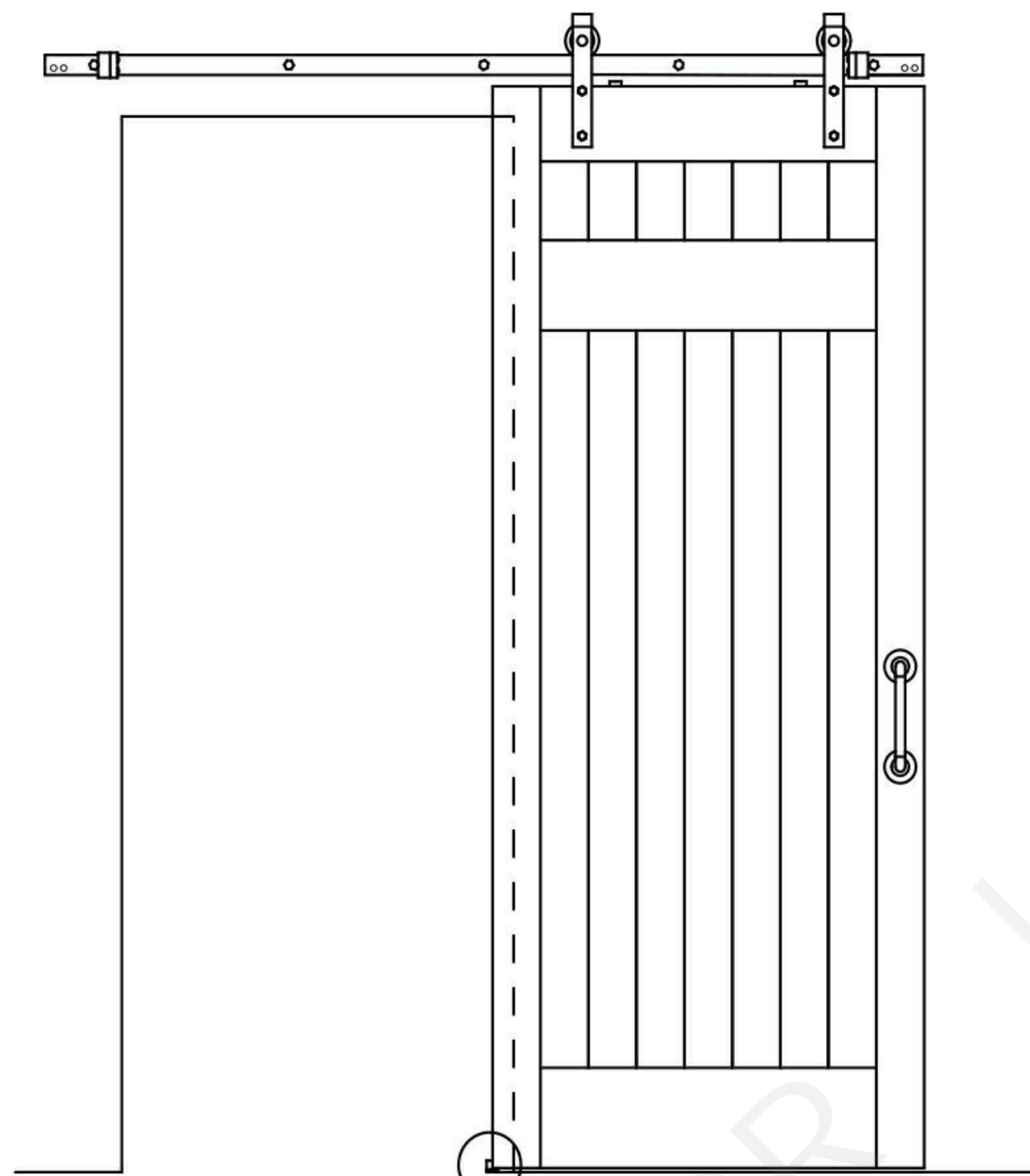
Step-i

1. Using a wrench for the hex bolt and another wrench for the acorn nut, gently tighten, be careful not to damage your hanger or acorn nut.

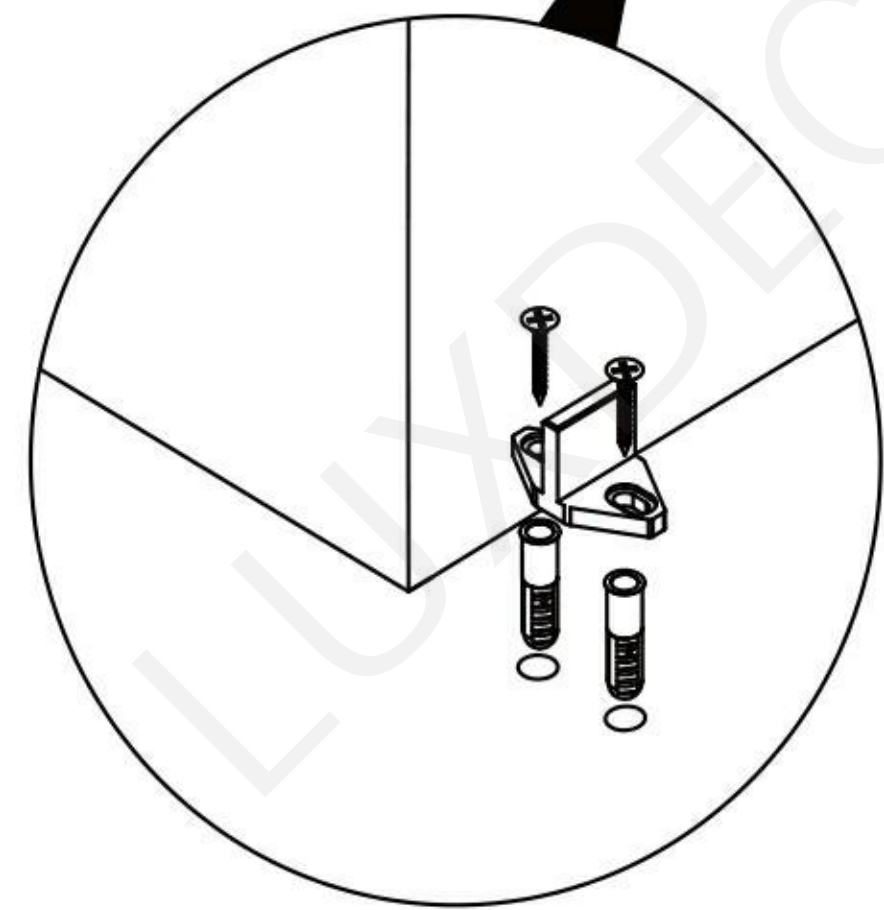
2. Repeat the step on the opposite edge of the door.

3. Now you have installed your hangers to your door.

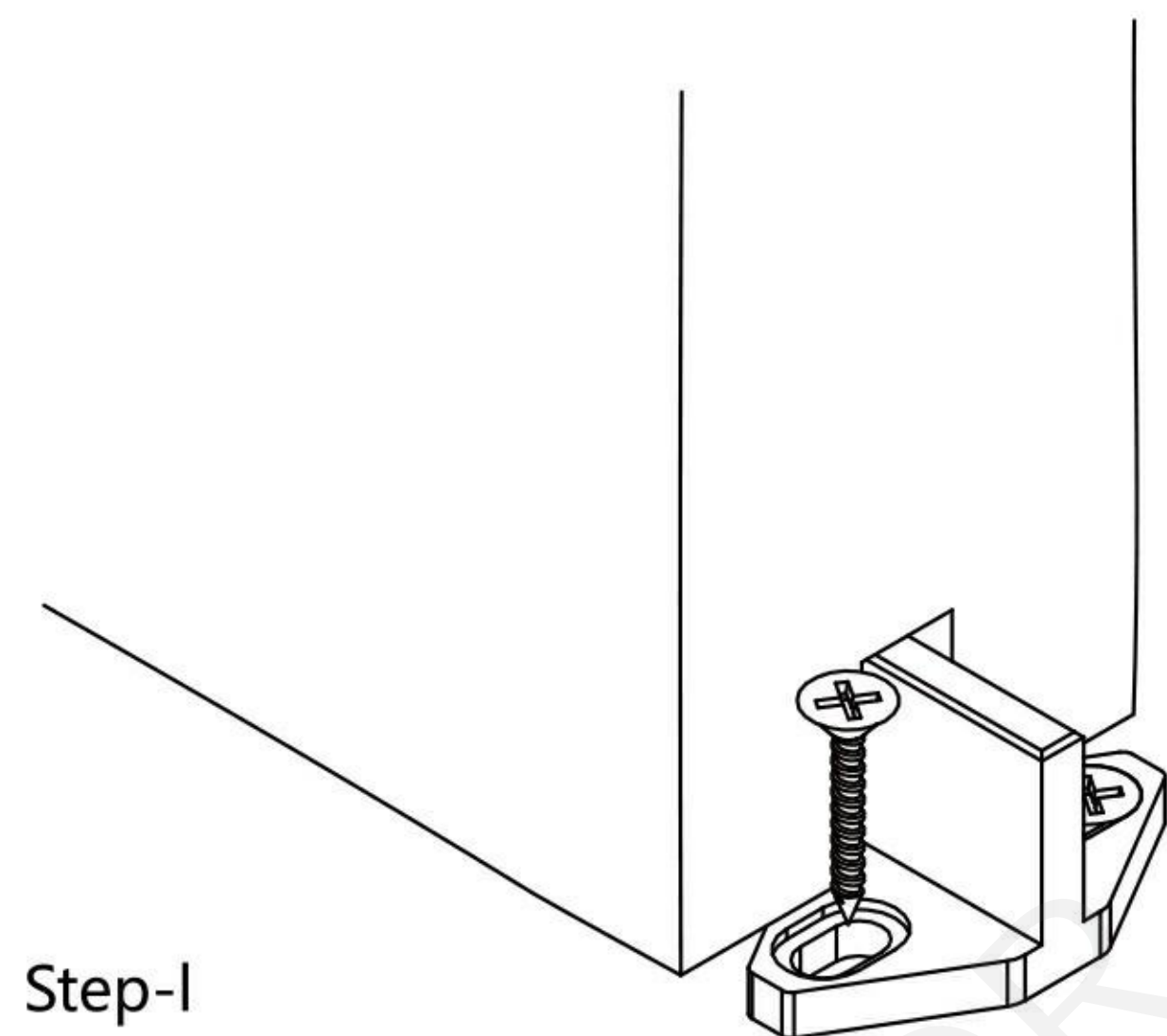




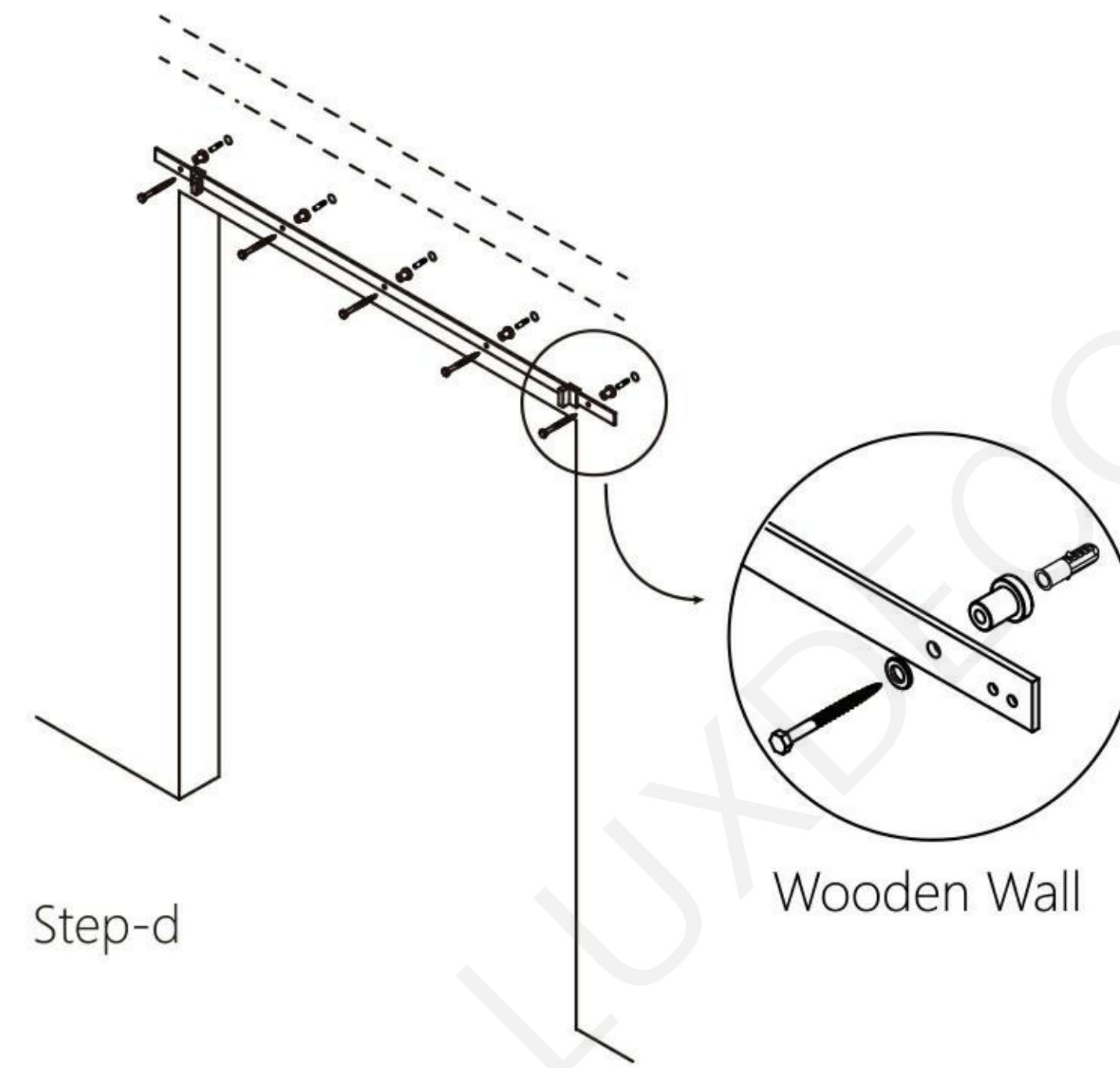
1. Guide your door to the resting position.
2. Use your level to plumb your door.
3. When the door is in the opening position, place the floor guide half way into the door slot.
4. Double check that your door is plumb.
5. Hold the door guide firmly in position and mark centers in the middle of both floor guide holes .



6. Use a "6mm" drill bit to drill 2 holes on the floor at the centers you have marked.
7. Put the plastic expansion nails into both of the holes.
8. Repeat the Step-l-3 and Step-l-4 and then hold the floor guide firmly in place, install the screws to secure your floor guide to the floor using a drill with a phillips bit.
9. Now you have completely installed your sliding barn door.

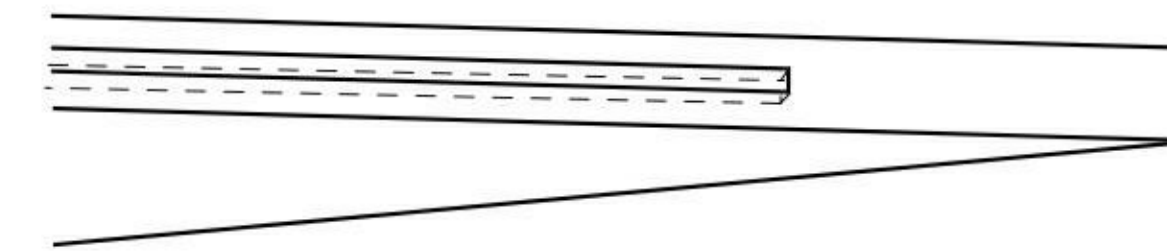


Step-l



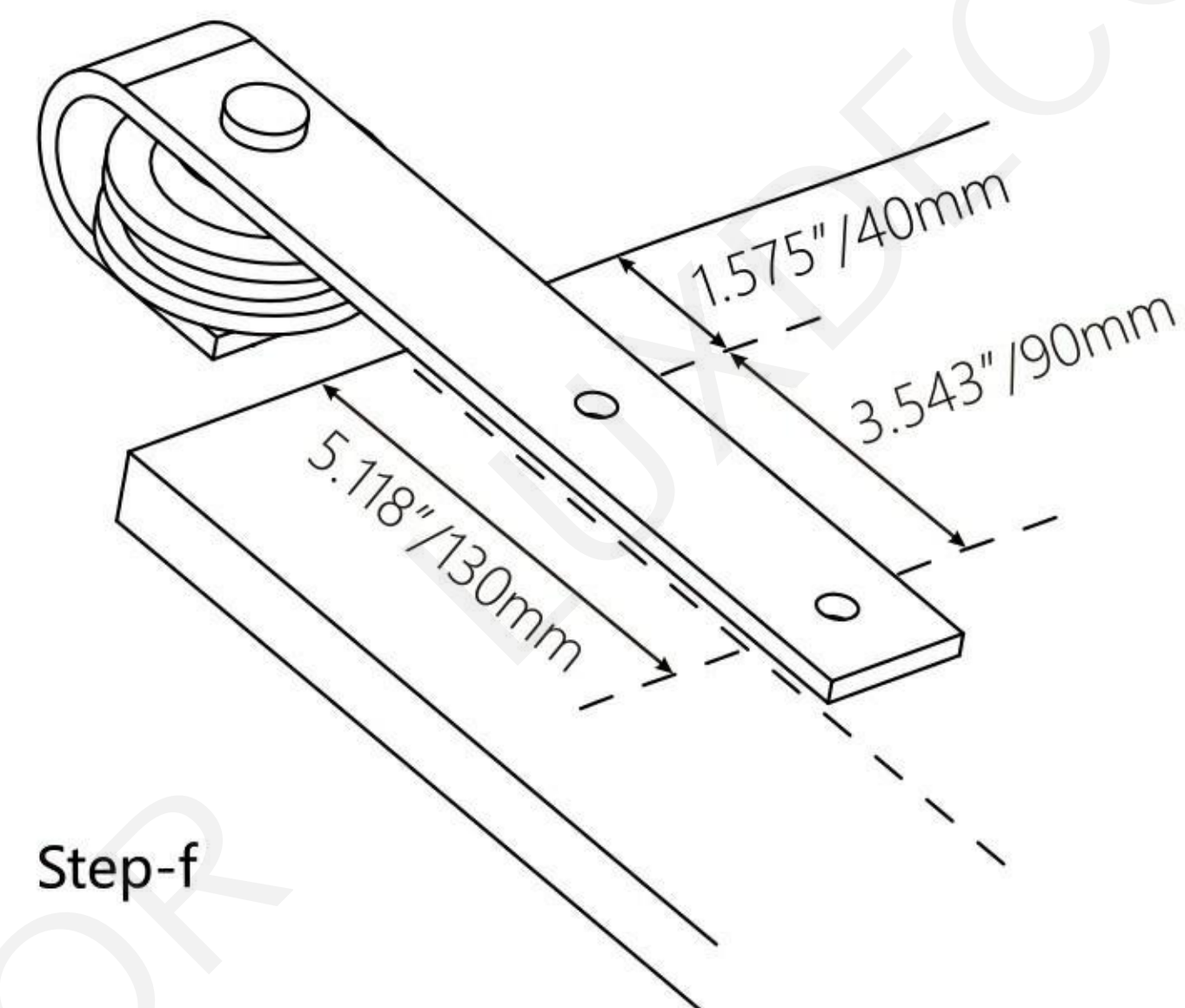
Step-d

1. Swing the track up and make it horizontal, then repeat the Step-c on the other end of the track.
2. Repeat on all remaining middle track holes.
3. Fully tighten all bolts with your wrench after all bolts are in. Be careful not to make it too tight to strip the wall studs off.
4. Now you have installed the track on the wall successfully.



Step-e


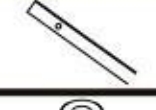



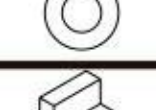


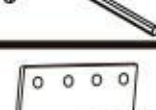

1. Open a slot ( 0.28"/7mm wide, 0.79"/20mm deep ) at the bottom of the door with a chainsaw. It will be used for installing the floor guide.




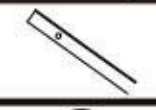



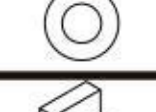


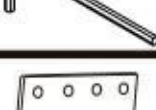

Step-f

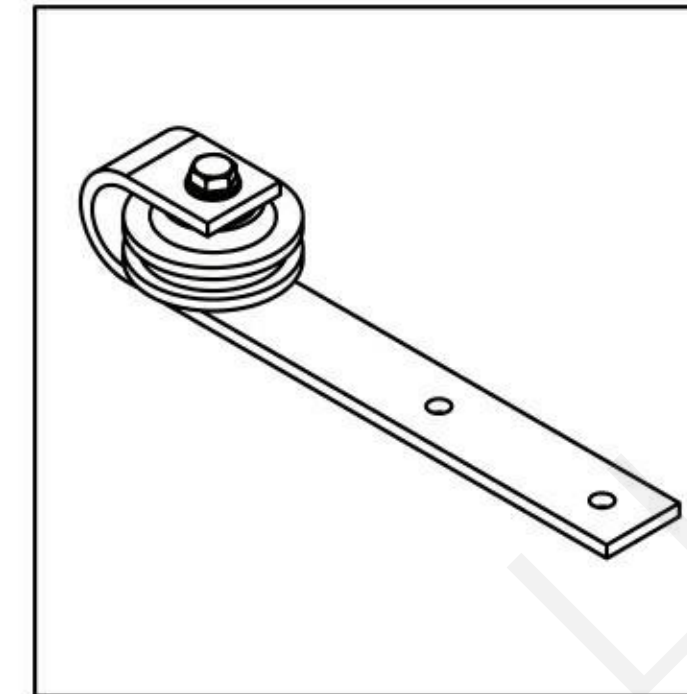
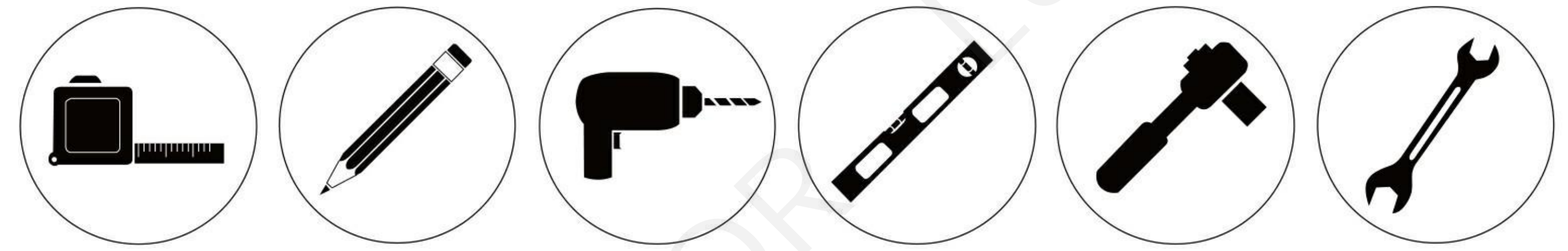
1. Lay your door facing up and put your hanger on it. Pencil a line parallel from the door edge. The distance depends on the position of your door stopper.
2. Line up your hanger along the line you just made.
3. Hold your hanger in place, the distance from the door edge to the first hole is 1.575" and to the second hole is 5.118"
4. Mark the center of both hanger holes.
5. Repeat on the opposite door edge.

**Single door hardware kit includes**

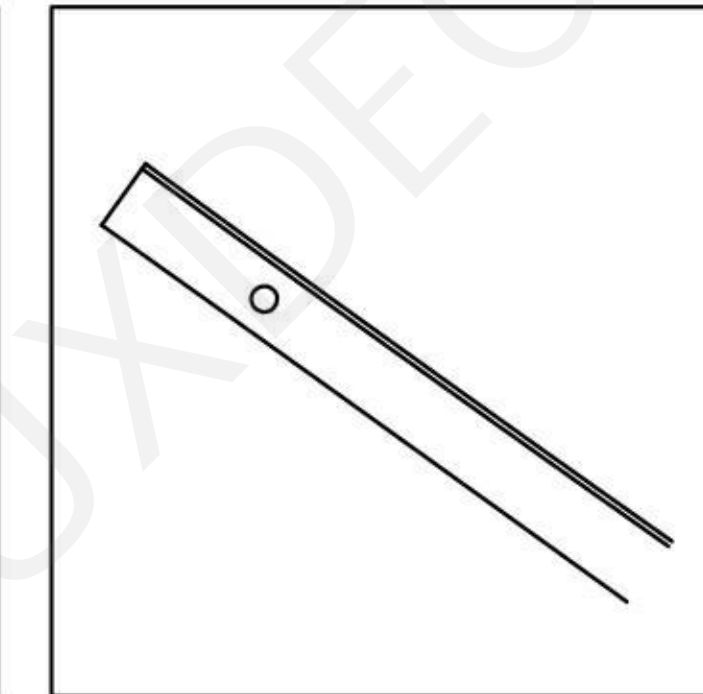
Part Name	picture	5FT	5.5FT	6FT	6.6FT	7.5FT	8FT	8.2FT	10FT	12FT	13FT	15FT	16FT
Steel Hanger		2	2	2	2	2	2	2	2	2	2	2	2
Flat Track		2	2	2	2	2	2	2	2	2	2	2	2
Adjustable Spacer		5	5	5	5	5	5	5	8	10	10	12	12
Floor guide		1	1	1	1	1	1	1	1	1	1	1	1
Lag Bolt		5	5	5	5	5	5	5	8	10	10	12	12
Washer		5	5	5	5	5	5	5	8	10	10	12	12
Door Stopper		2	2	2	2	2	2	2	2	2	2	2	2
Anti-jump Pad		2	2	2	2	2	2	2	2	2	2	2	2
Hex Wrench		1	1	1	1	1	1	1	1	1	1	1	1
Junction Plate		0	0	0	0	0	0	0	1	1	1	1	1

**Double door hardware kit includes**

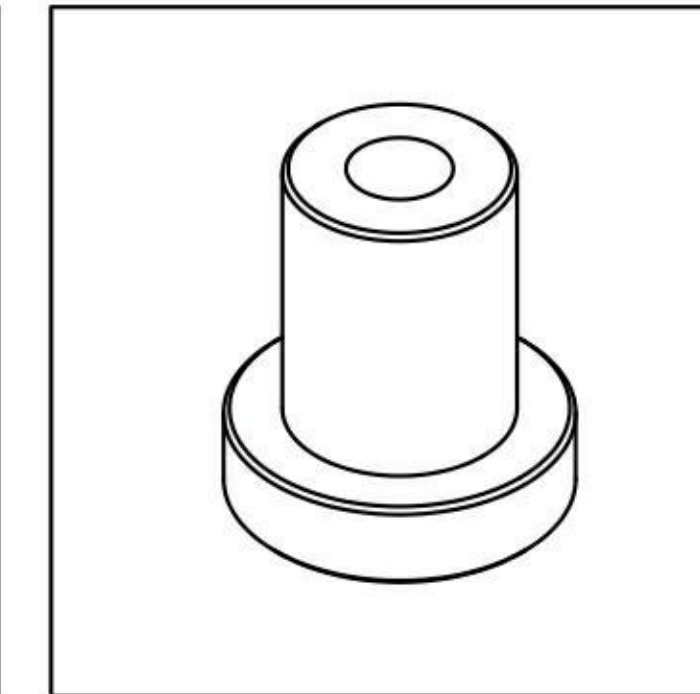
Part Name	picture	5FT	5.5FT	6FT	6.6FT	7.5FT	8FT	8.2FT	10FT	12FT	13FT	15FT	16FT
Steel Hanger		4	4	4	4	4	4	4	4	4	4	4	4
Flat Track		2	2	2	2	2	2	2	2	2	2	2	2
Adjustable Spacer		5	5	5	5	5	5	5	8	10	10	12	12
Floor guide		2	2	2	2	2	2	2	2	2	2	2	2
Lag Bolt		5	5	5	5	5	5	5	8	10	10	12	12
Washer		5	5	5	5	5	5	5	8	10	10	12	12
Door Stopper		4	4	4	4	4	4	4	4	4	4	4	4
Anti-jump Pad		4	4	4	4	4	4	4	4	4	4	4	4
Hex Wrench		2	2	2	2	2	2	2	2	2	2	2	2
Junction Plate		0	0	0	0	0	0	0	1	1	1	1	1



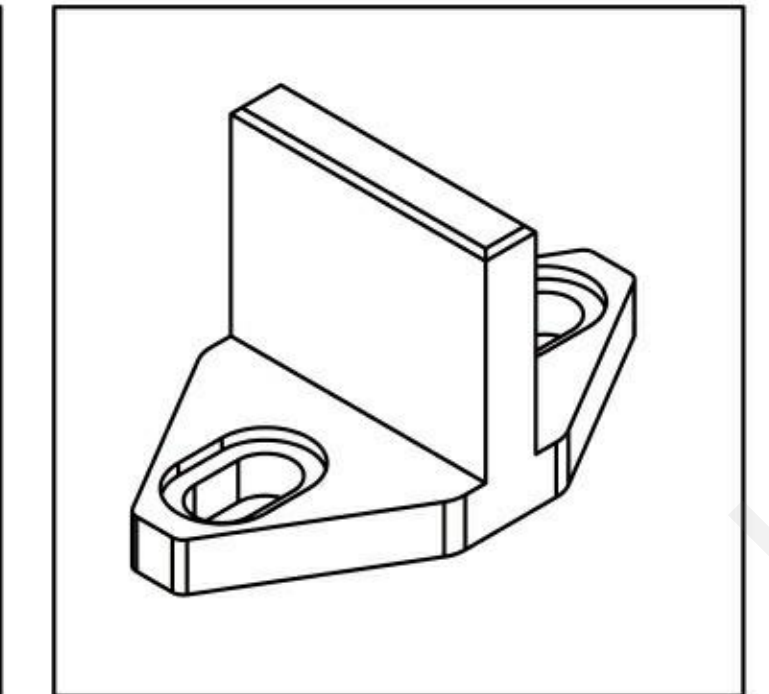
Steel Hanger



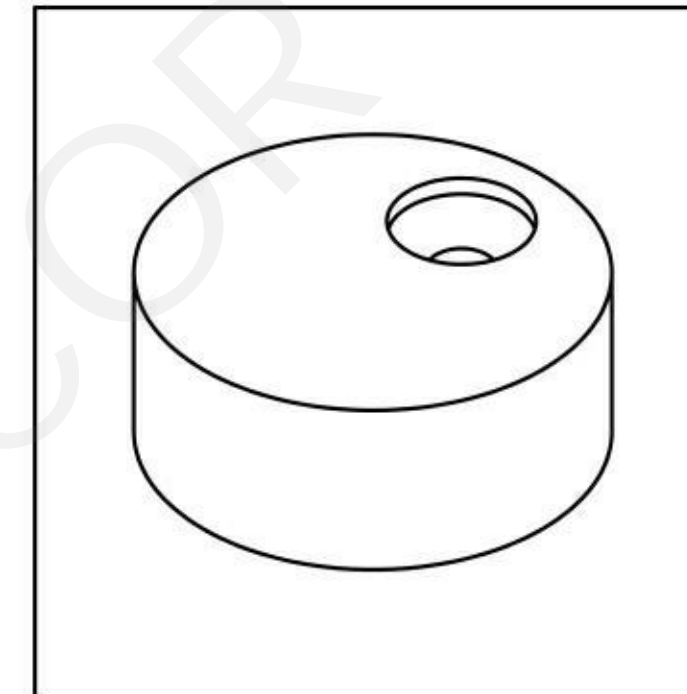
Flat Track



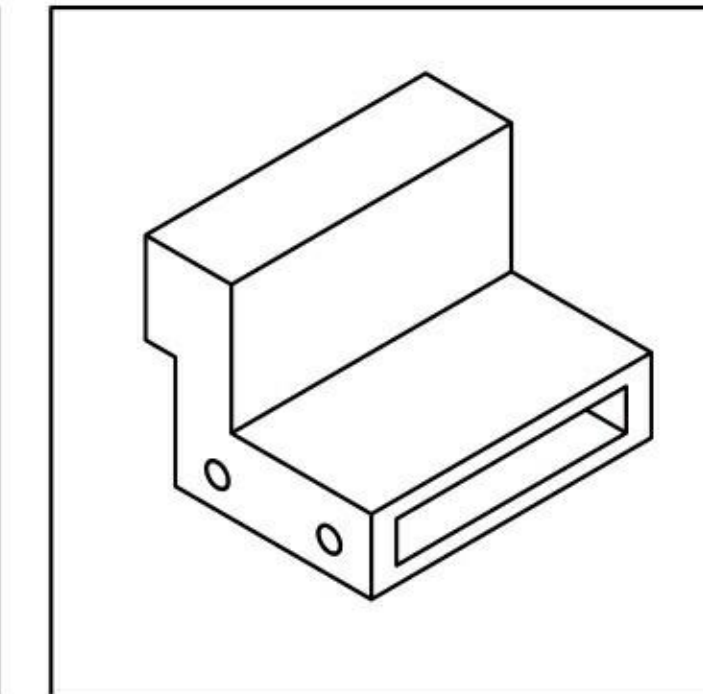
Adjustable Spacer



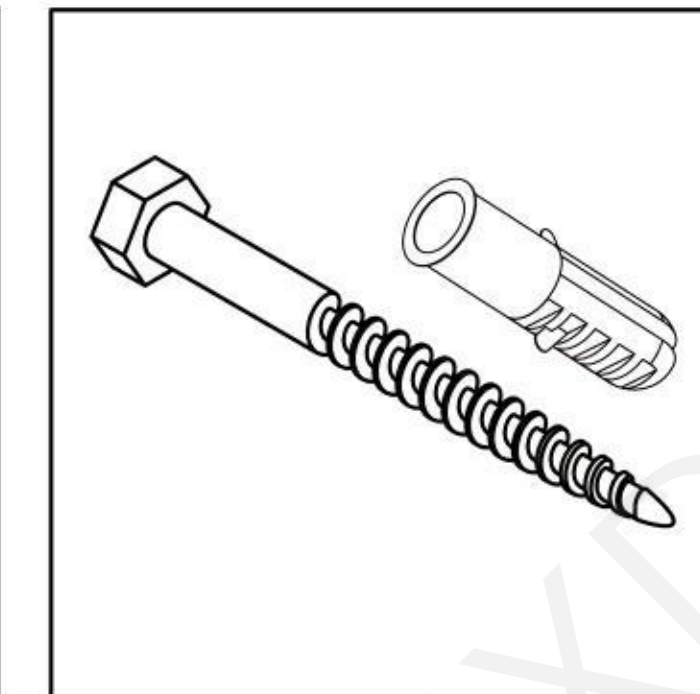
Floor Guide



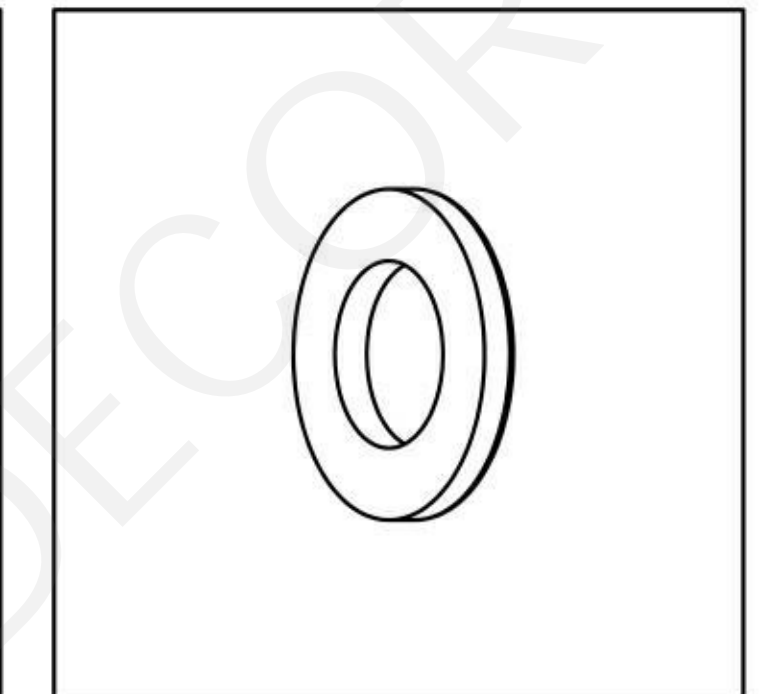
Anti-jump Pad



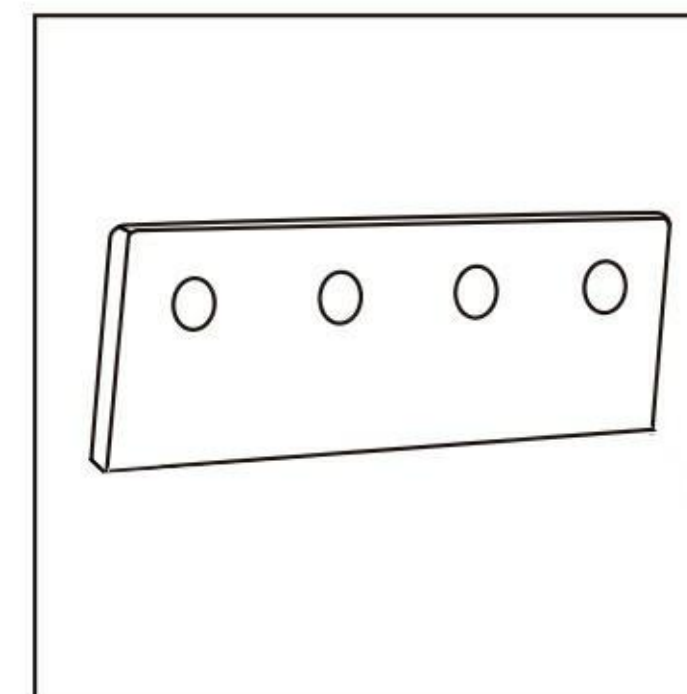
Door Stopper



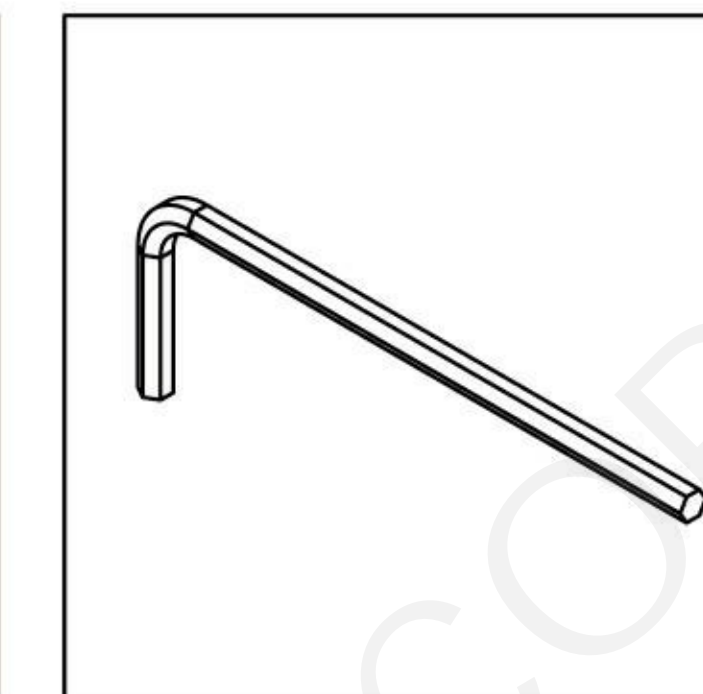
Lag Bolt



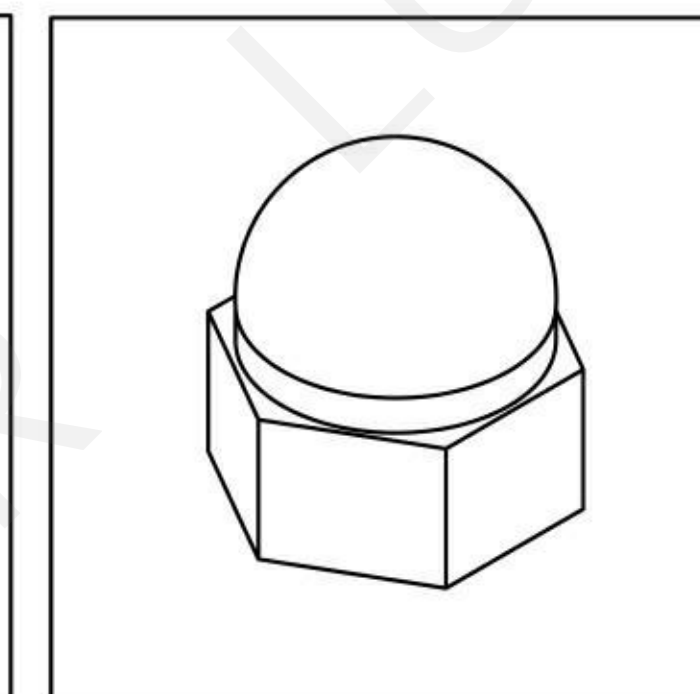
Washer



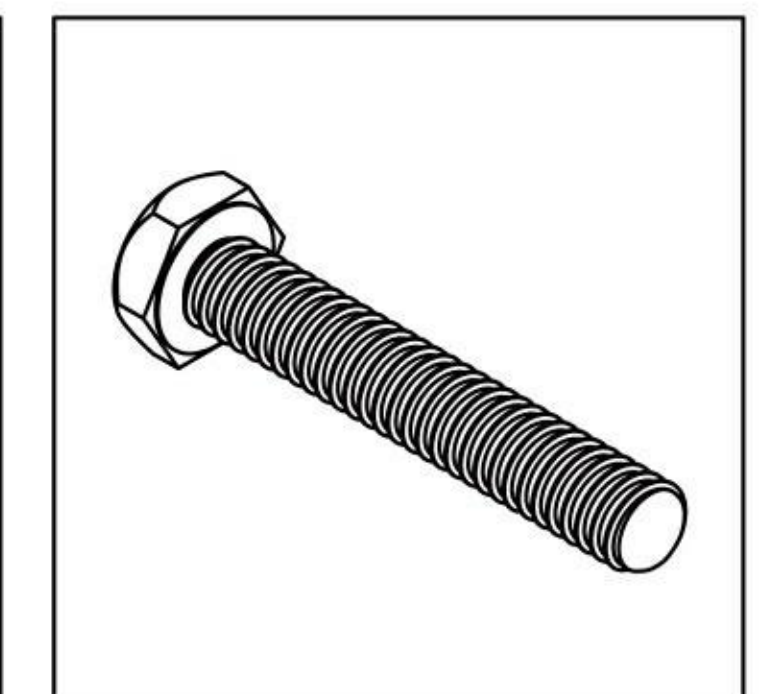
Junction Plate



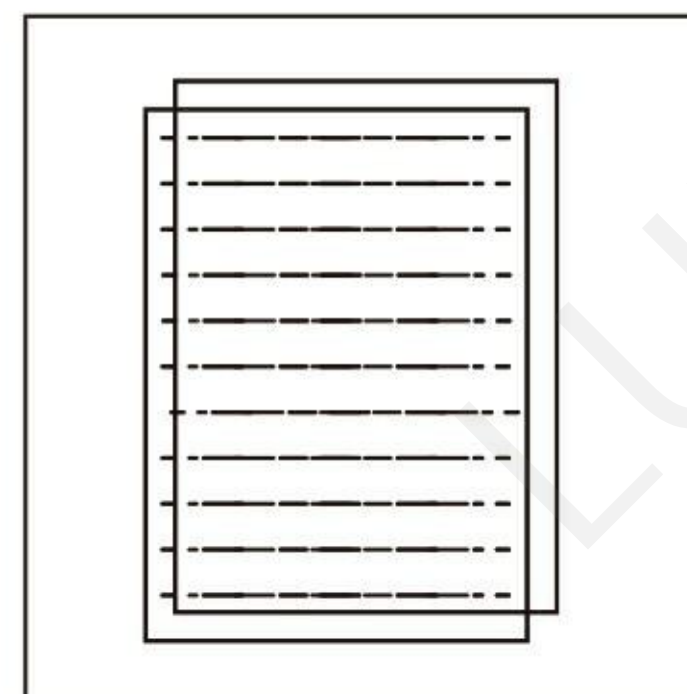
Hex Wrench



Acorn Nut



Hex Bolt



Installation Manual

