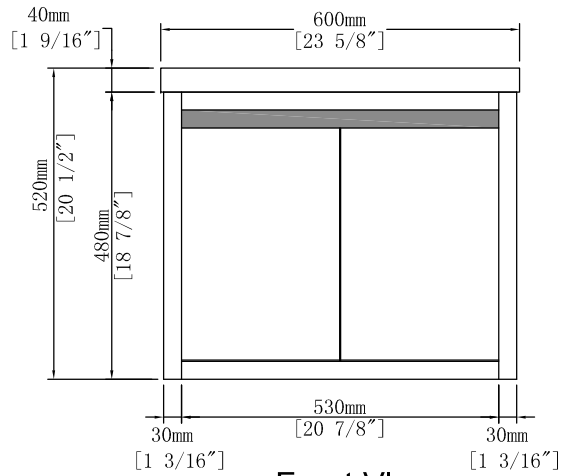
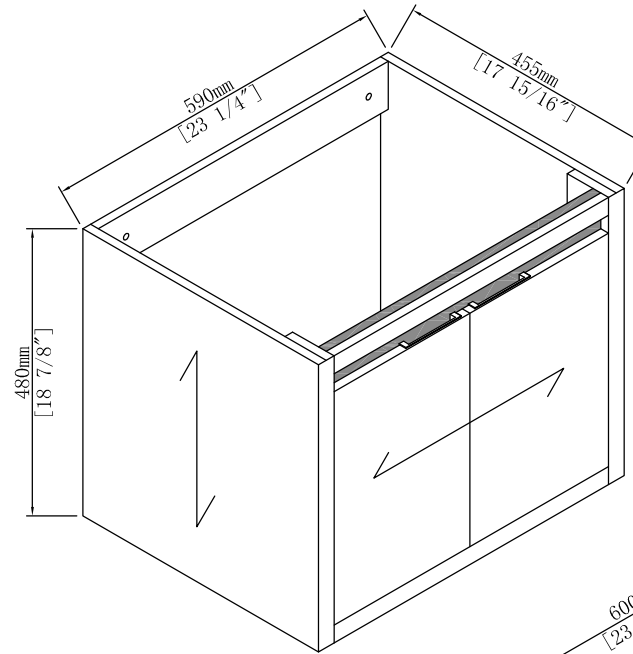
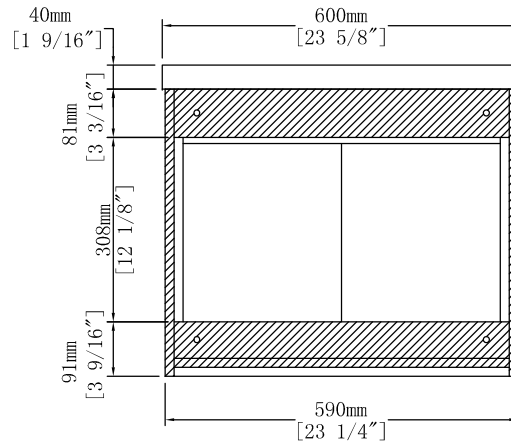


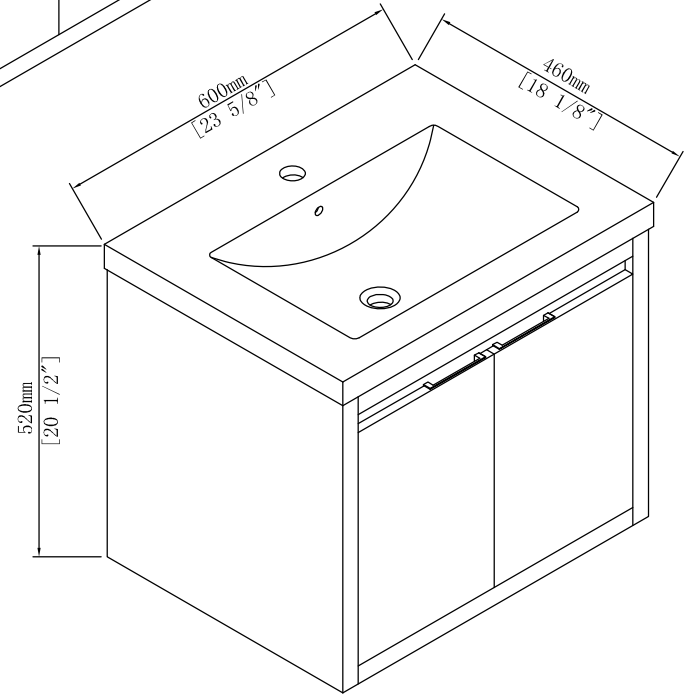
Top View



Front View



Back View



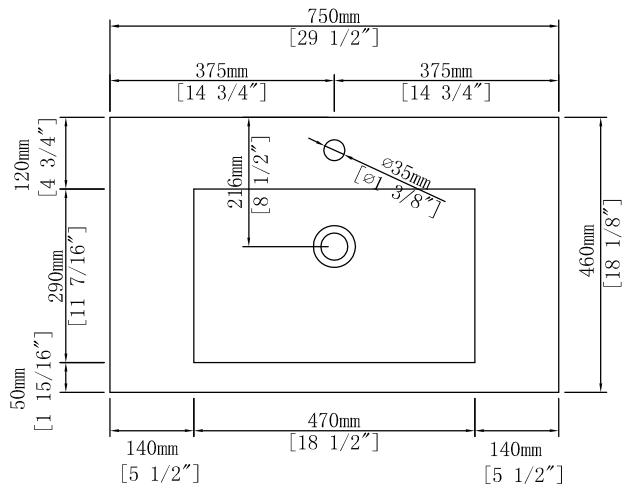
Item NO. **BV C00924**

Version

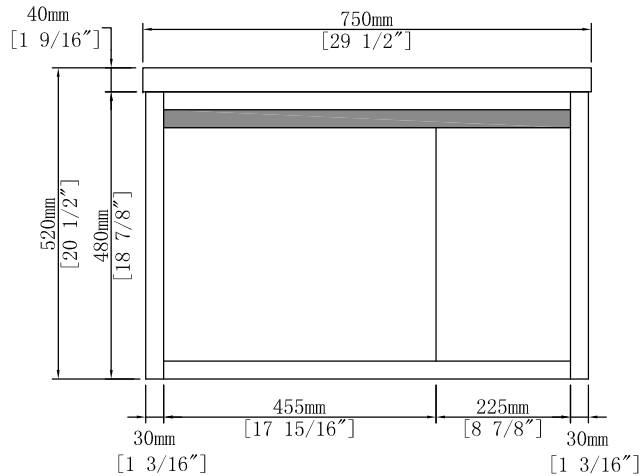
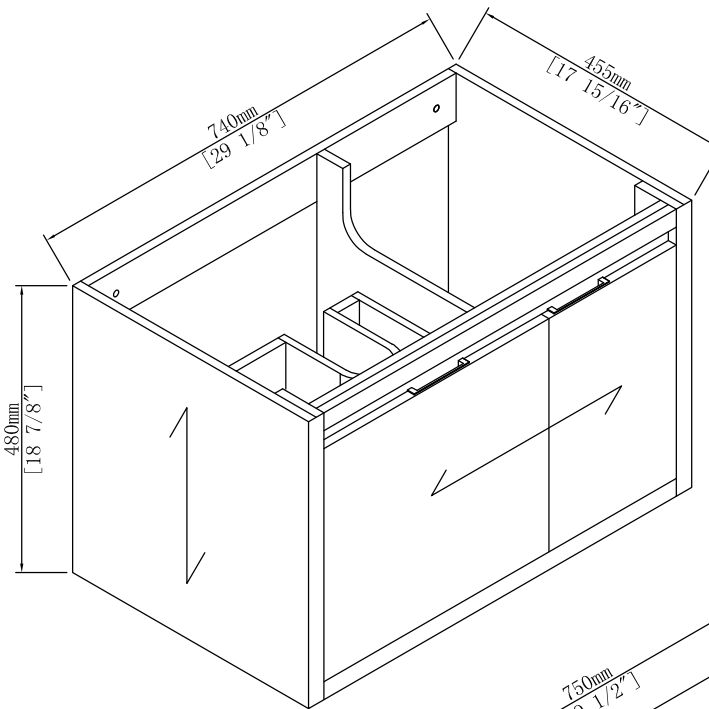
Project

Date

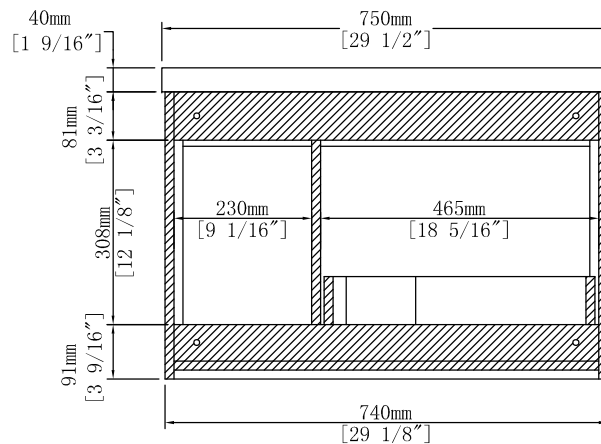
2022. 3. 18



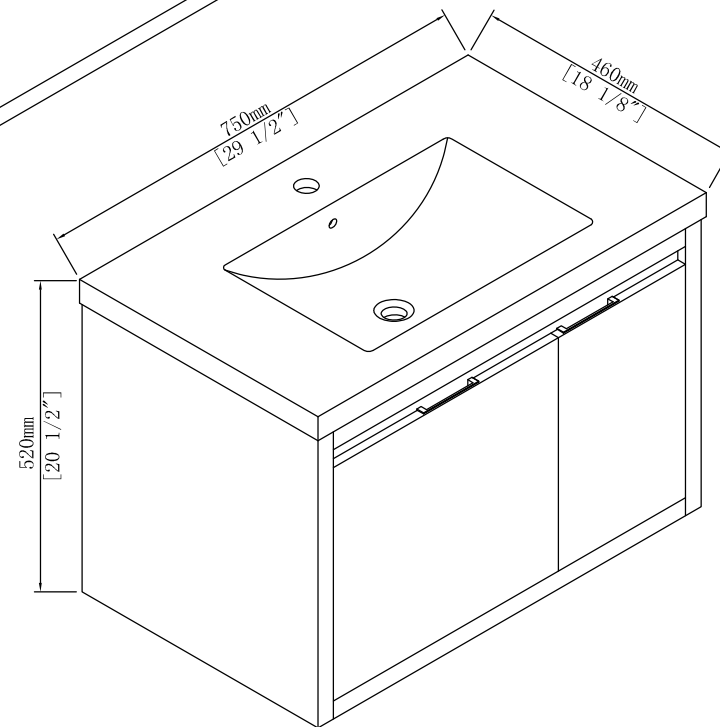
Top View



Front View



Back View



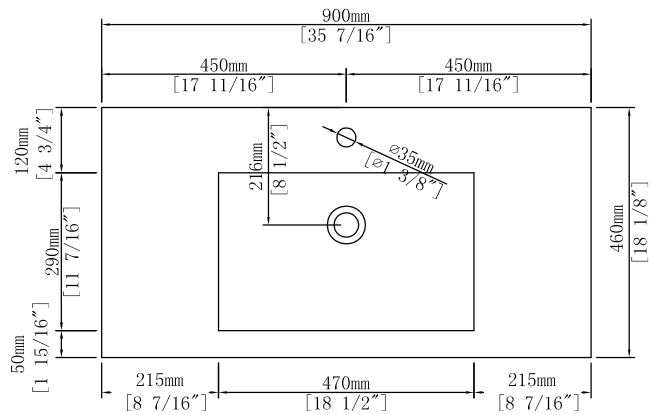
Item NO. **BV C00930**

Version

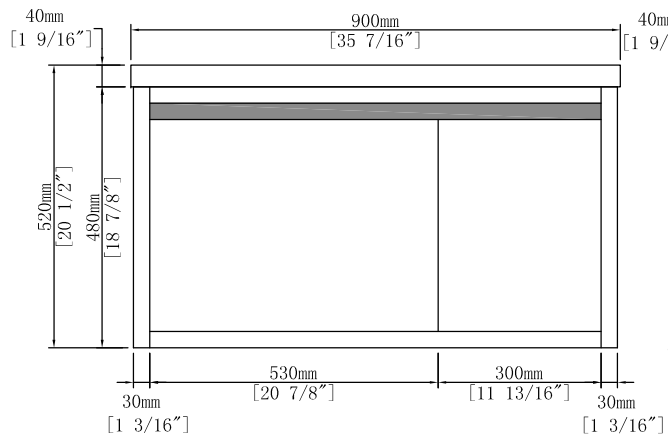
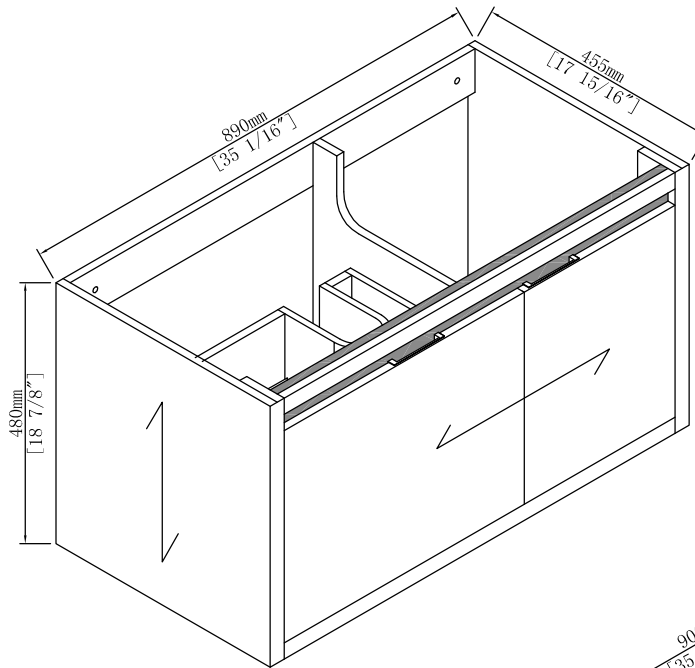
Project

Date

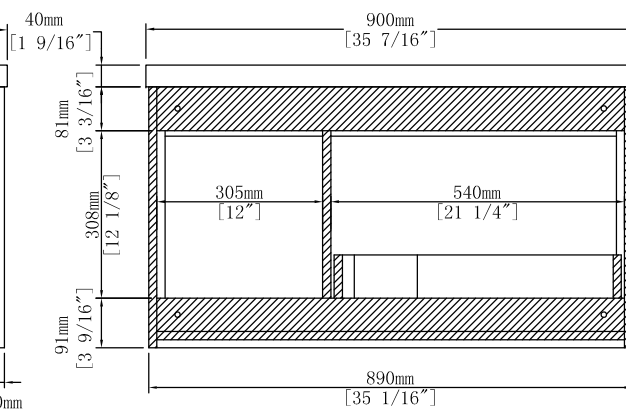
2022. 3. 18



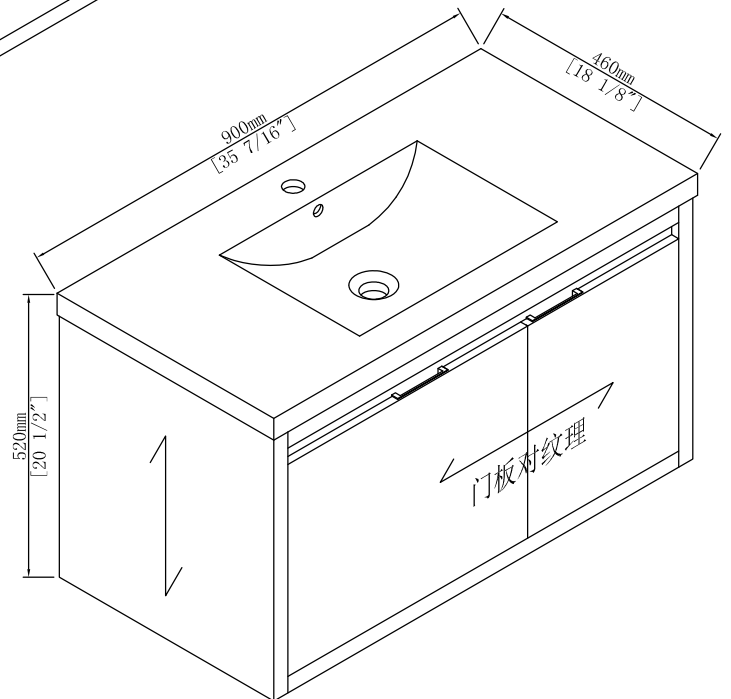
Top View



Front View



Back View



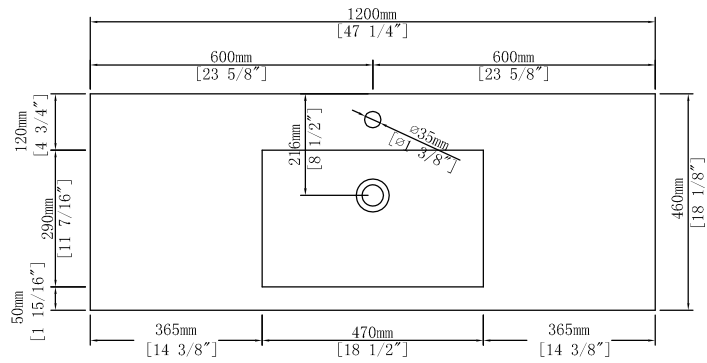
Item NO. **BV C00936**

Version

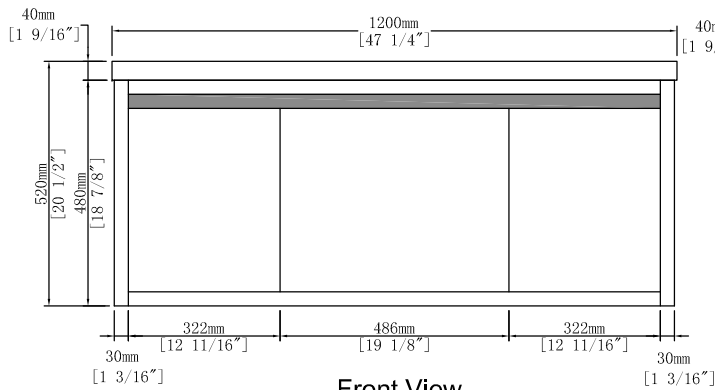
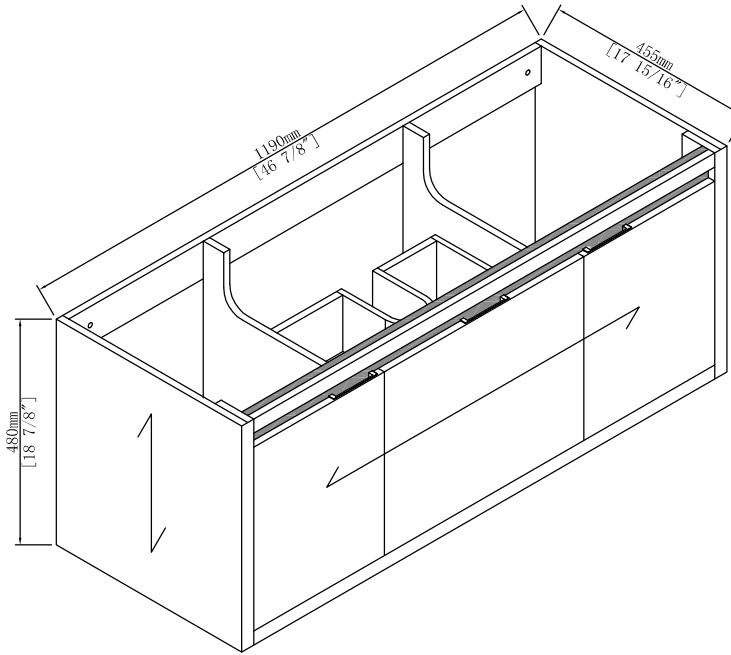
Project

Date

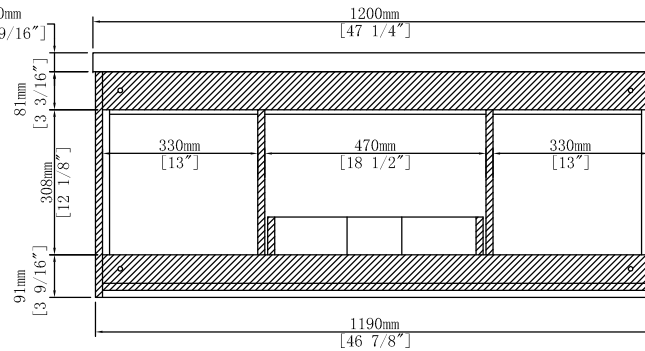
2022. 3. 18



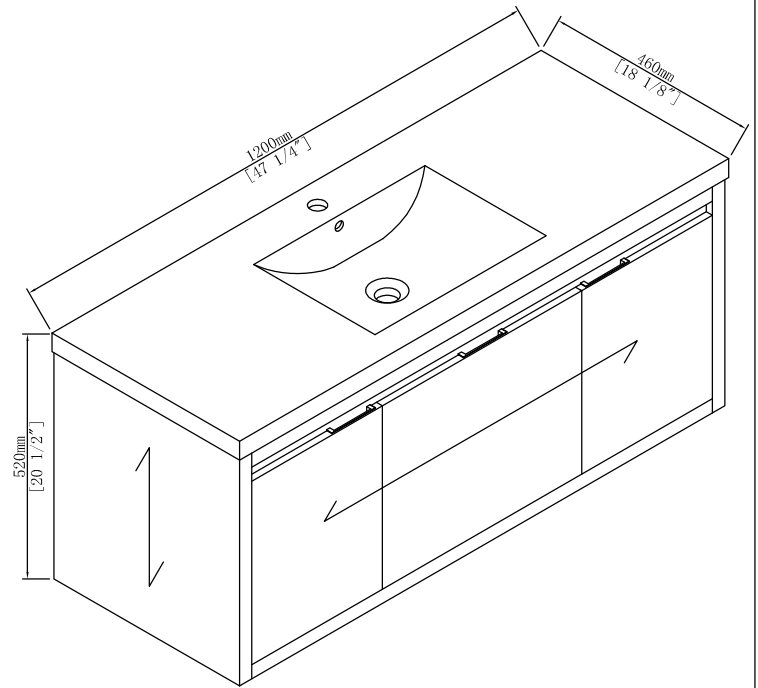
Top View



Front View



Back View



Item NO. **BV C00948**

Project

Version

Date

2022. 3. 18