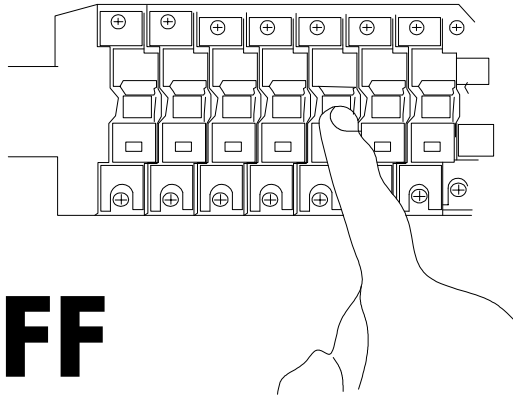


Installation sequence

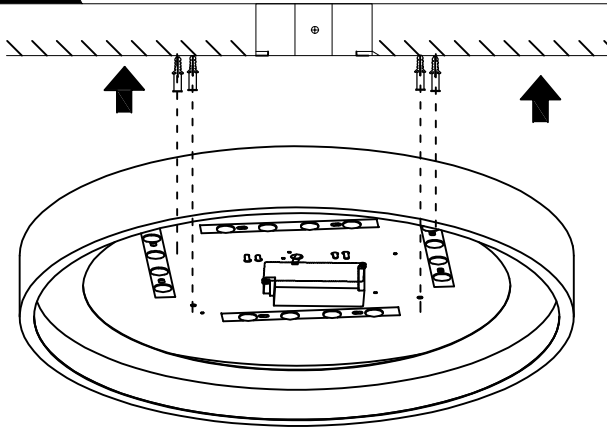
1



STEP 1

Turn off the power.

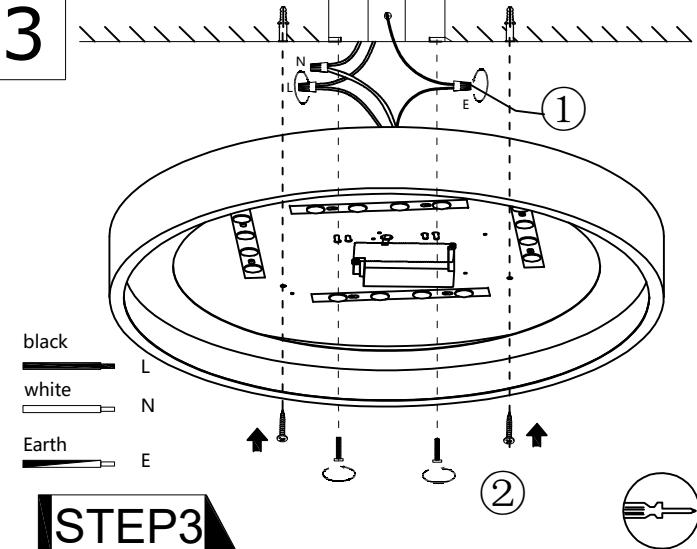
2



STEP 2

Drill pilot holes according to the fixture base's self-tapping screw positions, then insert the expansion screws.

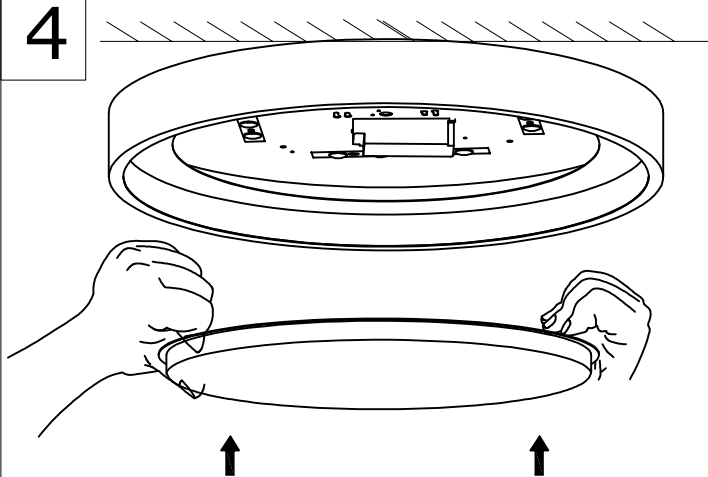
3



STEP 3

Connect the fixture wires to the house wires using wire connectors (ensure correct live and neutral connections).
Secure the fixture to the junction box and wall using the bracket screws and self-tapping screws.

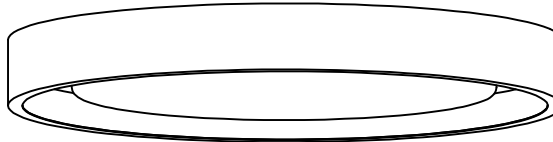
4



STEP 4

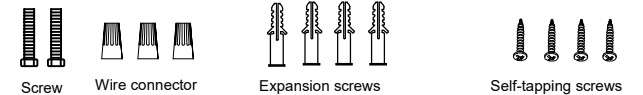
Use both hands to slightly bend the shade inward, then place it into the fixture base.

5



STEP 5

Installation complete.



Before installation, please check whether the accessories are complete. If you have any problem, please contact our customer service in time.

Note:

1. Voltage: 110-130V-50-60Hz
2. Bulb Type: LED
3. Before installation, please cut off the power supply to prevent electric shock.
4. Please be sure the installation step according to the company's instructions.