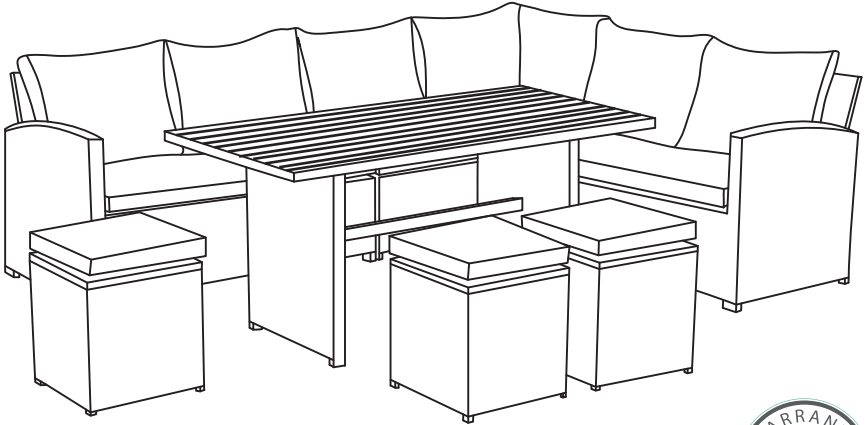


# Wicker Sofa Set



## Thank you for choosing us!

Our goal is to provide high quality outdoor furniture with outstanding customer service-all at an affordable price.

Please let us know how we are doing!

## Problems?

(Missing pieces, wrong pieces...)

We will fix it immediately. Send us an email



Tip: We recommend flattening the boxes to use as a protective work surface, or setting up your new furniture on a soft floor like a carpet.



**IMPORTANT, RETAIN FOR  
FUTURE REFERENCE:  
READ CAREFULLY.**

## **Safety**

- For domestic use only.
- Always use on firm level ground.
- Don't tighten all the bolts before the product is fully assembled.
- It would be useful to ask someone to help you assemble the product.
- Periodic structural checks of this product should be undertaken, do not use if you have any doubts about its fitness for purpose.
- Do not stand on the seat and table.
- Do not sit on the armrest and table.
- Do not let children play with this product.

## **At the beginning of the season**

- Check to ensure that all components and fixings of this product are secure, do not use if you have any doubts about its fitness for purpose.

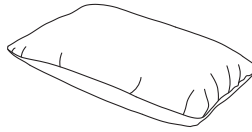
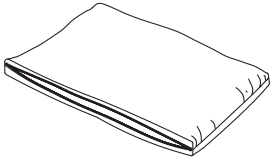
## **At the end of the season**

- This product should be stored under cover during prolonged spells of adverse weather (wet or cold) and also during the winter (ideally in a garden shed or garage).
- Always clean and dry thoroughly before storage.

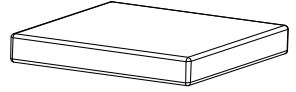
# How to Put on the Cushion Cover

---

1

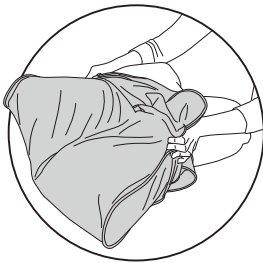


OR



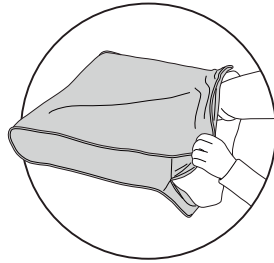
1. Take the cushion covers and inners out of the carton.

2



2. Fold the inner in half, pushing the sides together, then begin to slide the cover onto it.

3



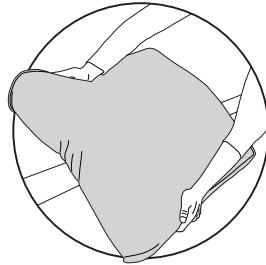
3. Align both far corners, then gently compress insert while fitting cover around it.

4



4. To avoid a stuck zipper, please pull the fabric away from the zipper before moving forward.

5

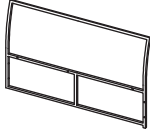
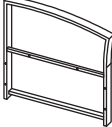
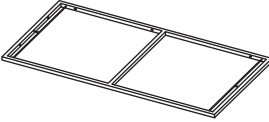
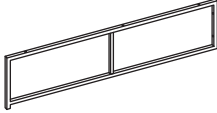
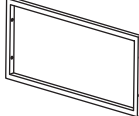
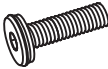






5. When all done, please pat the cushion or give it a little shake to make it more flat.

## Care & Cleaning Guidelines

The covers are machine washable. Before washing, please zip the cover up to avoid catching other clothes. You can clean the dust on the chair / table / footstool with a damp cloth.

## COMPONENT LIST - RIGHT CORNER SOFA

Item no.	Reference Image	Description	Qty.
A1		Back	1
B1		Right Armrest	1
C		Seat Base	1
K1		Side Panel	1
G		Side Panel	1
L		M6*35 Head Cap Screws	14
M		Washer	14
N		Allen Key	1
E		Back Cushion	2
F		Seat Cushion	1

**NOTE:**

Do NOT tighten any screws fully first until you have tightened all the screws.

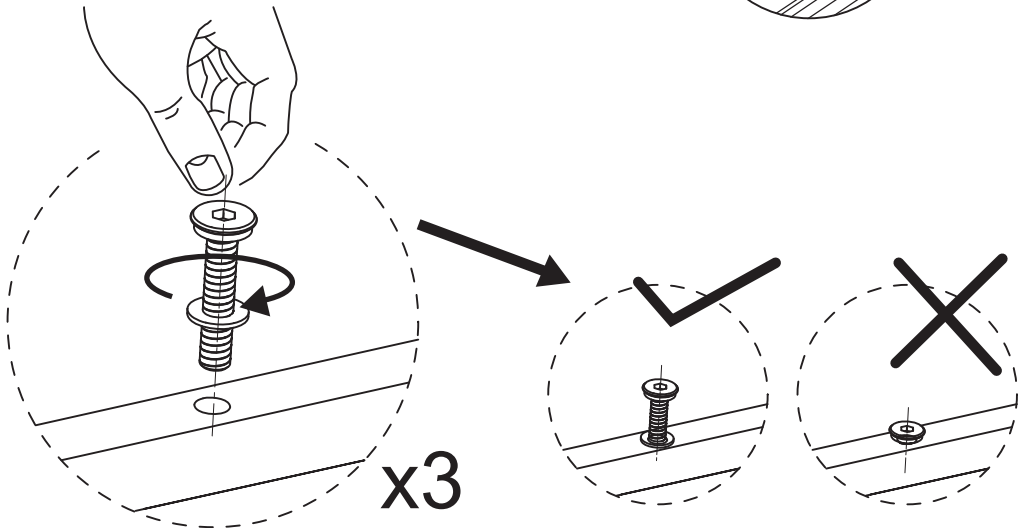
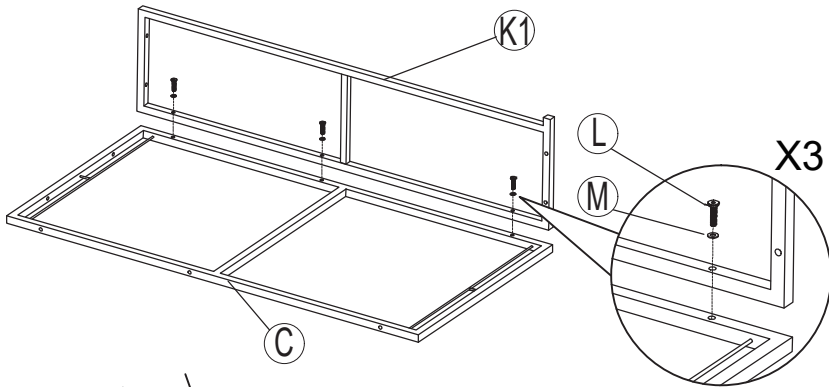
This may cause the frame to warp.

If there is still wobbles or screw holes cannot be aligned, loosen the screws and tighten sequentially.

If the Sofa is not stable it could lead to damage to the product.

**1**

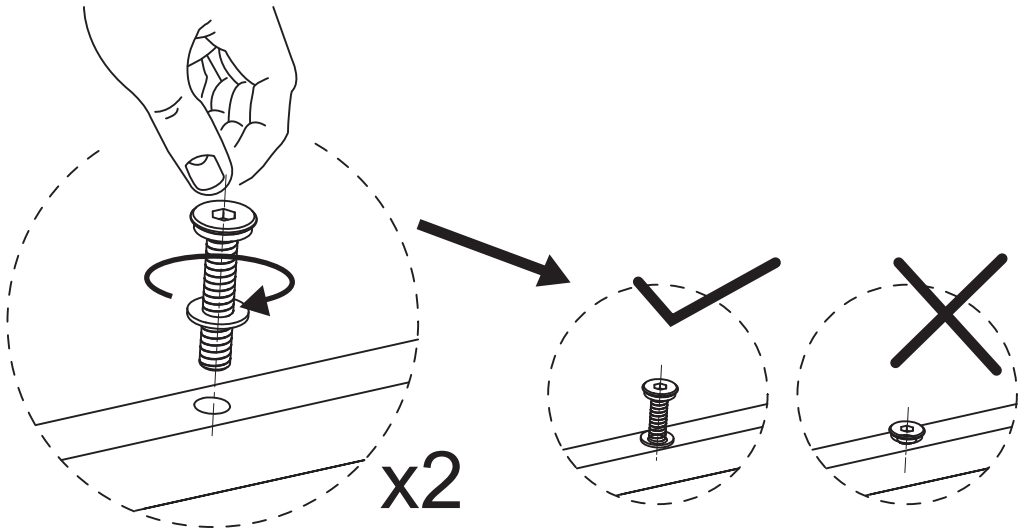
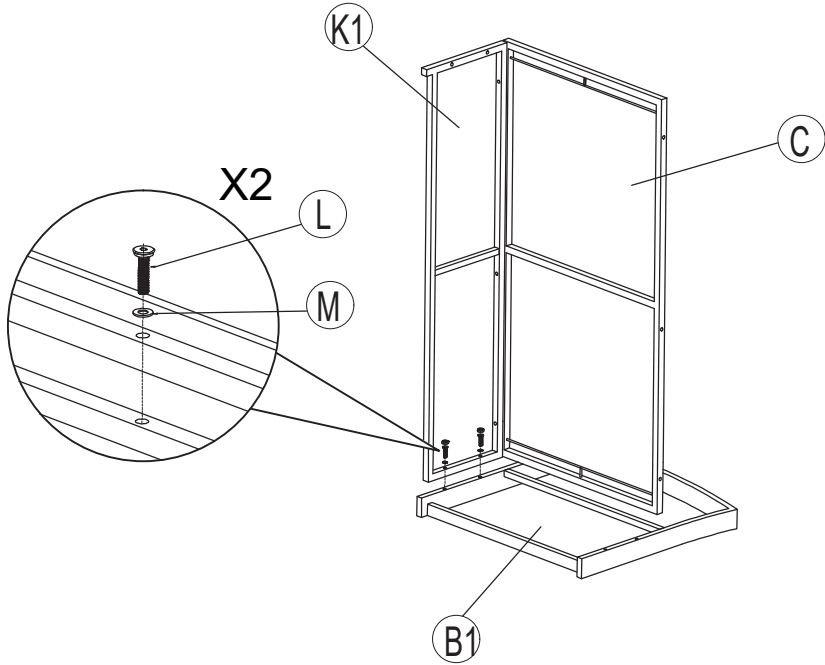
Attach the Seat Base (C) to the Side Panel (K1) by securing with M6\*35 Head Cap Screws (L) and Washers (M). Do this in 3 places.



**NOTE: DO NOT TIGHTEN THE SCREWS COMPLETELY.**

2

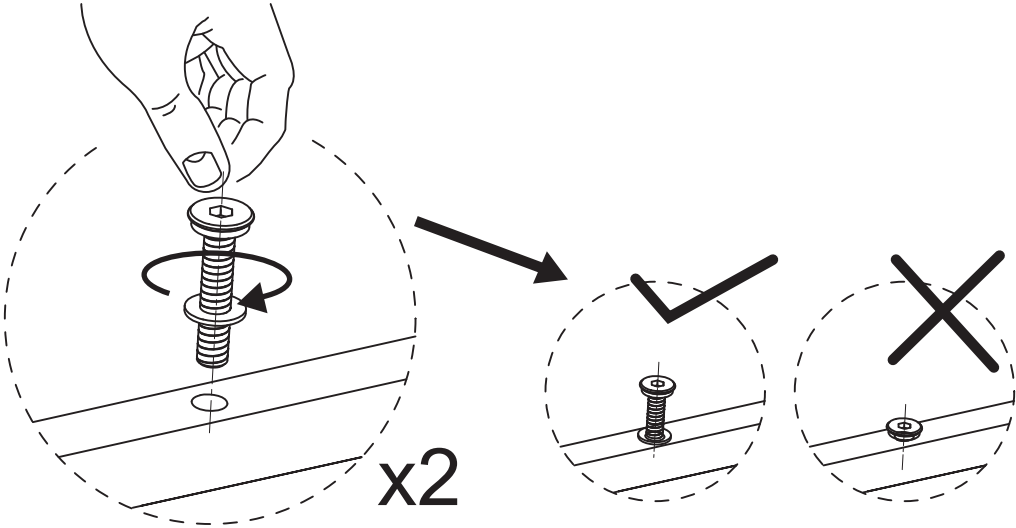
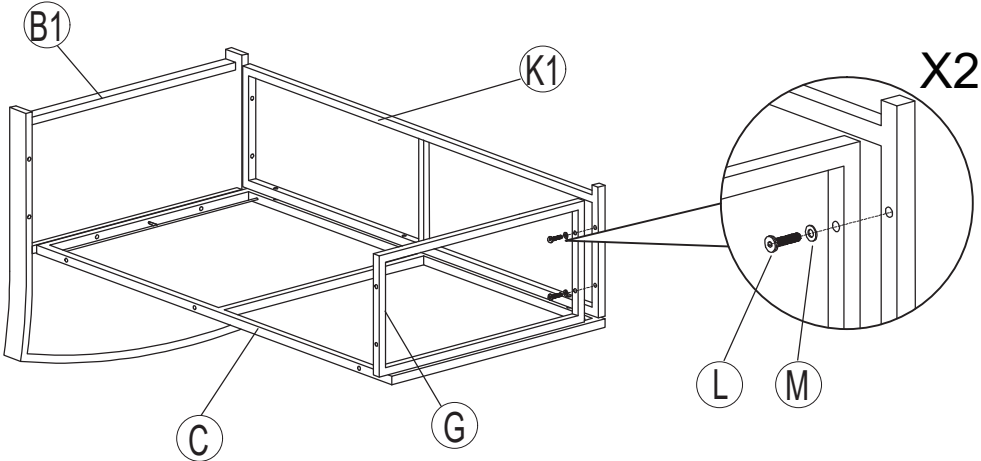
Attach the Right Armrest (B1) to the Side Panel (K1) by securing with M6\*35 Head Cap Screws (L) and Washers (M). Do this in 2 places.



**NOTE: DO NOT TIGHTEN THE SCREWS COMPLETELY.**

3

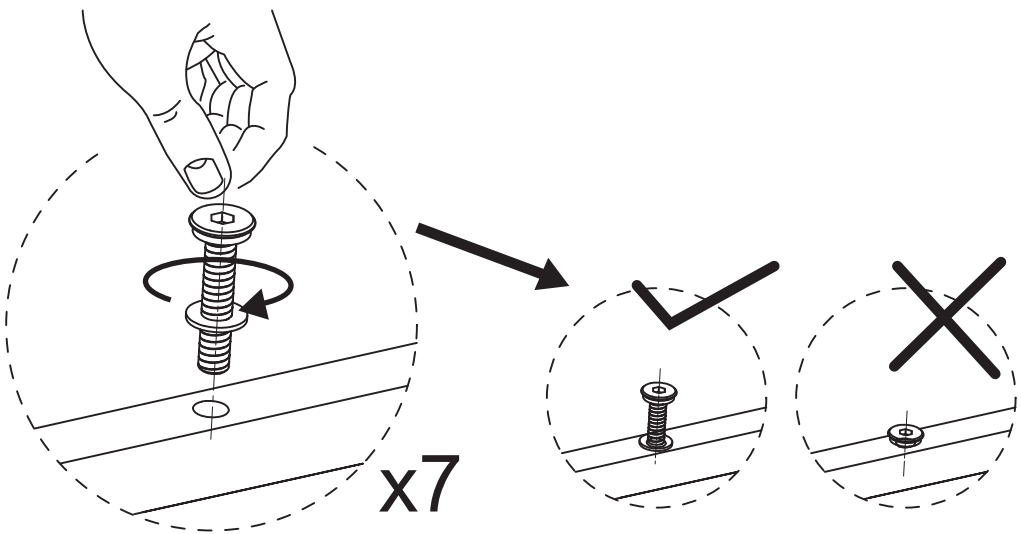
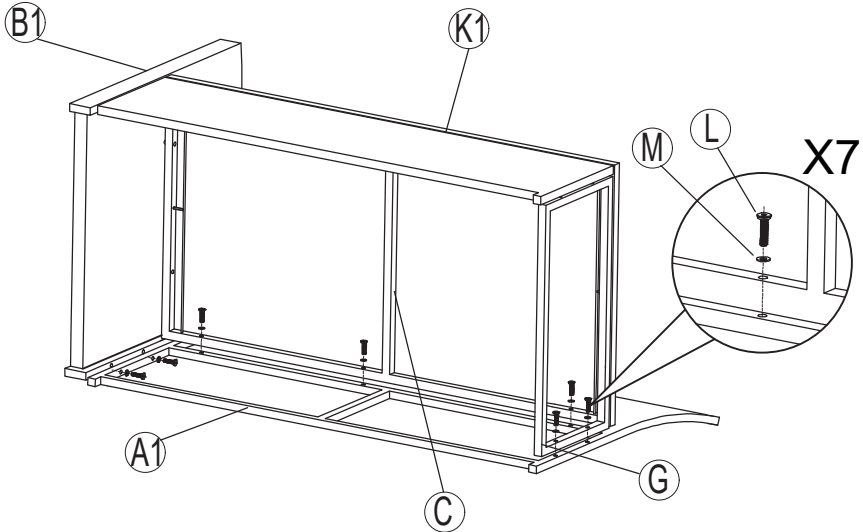
Attach the Side Panel (G) to the Side Panel (K1) by securing with M6\*35 Head Cap Screws (L) and Washers (M). Do this in 2 places.



**NOTE:DO NOT TIGHTEN THE SCREWS COMPLETELY.**

4

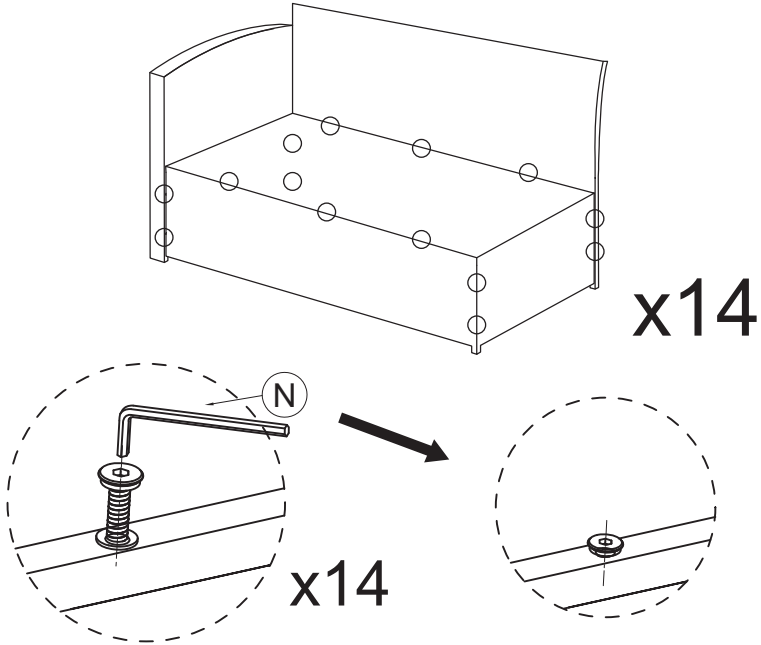
Attach the Back (A1) to the Seat Base (C) and the Side Panel (G) and the Right Armrest (B1) by securing with M6\*35 Head Cap Screws (L) and Washers (M). Do this in 7 places.



**NOTE: DO NOT TIGHTEN THE SCREWS COMPLETELY.**

5

Tighten all 14 Screws into place with Allen Key (N).

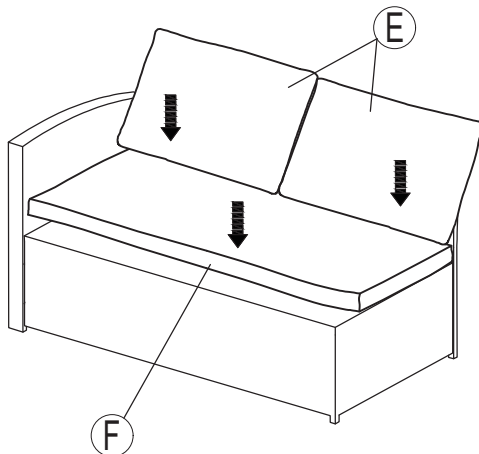


**NOTE:**IF ANY SCREW HOLES CANNOT BE ALIGNED, LOOSEN ALL THE SCREWS AND GO BACK STEP 1 AND RESTART ASSEMBLY.

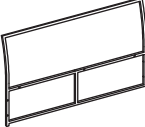
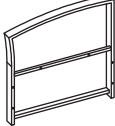
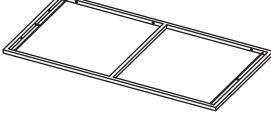
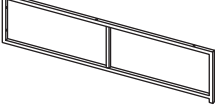
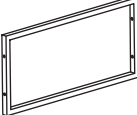





6

Place the Sofa on a level surface.

Place Back Cushions (E) and Seat Cushion (F) on the sofa and your sofa is ready for use.



## COMPONENT LIST - LEFT CORNER SOFA

Item no.	Reference Image	Description	Qty.
A		Back	1
B		Left Armrest	1
C		Seat Base	1
K		Side Panel	1
G		Side Panel	1
L		M6*35 Head Cap Screws	14
M		Washer	14
N		Allen Key	1
E		Back Cushion	2
F		Seat Cushion	1

**NOTE:**

Do NOT tighten any screws fully first until you have tightened all the screws.

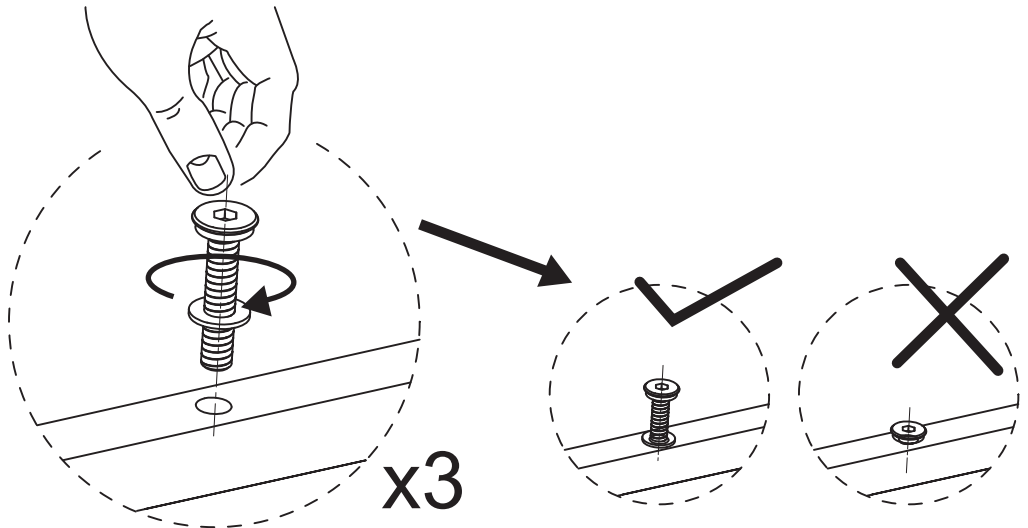
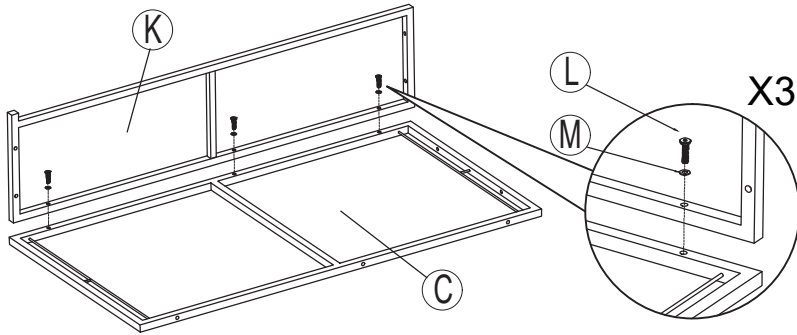
This may cause the frame to warp.

If there is still wobbles or screw holes cannot be aligned, loosen the screws and tighten sequentially.

If the Sofa is not stable it could lead to damage to the product.

**1**

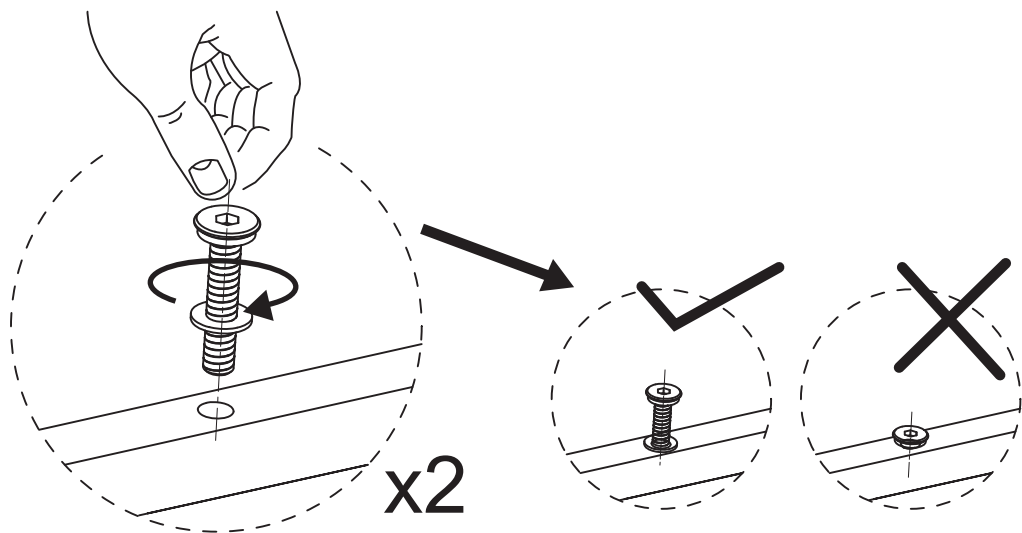
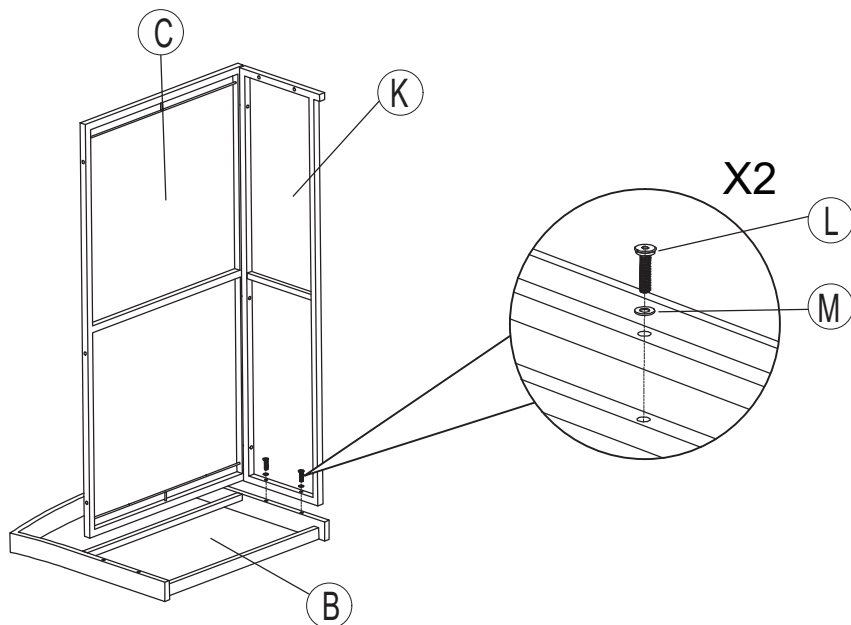
Attach the Seat Base (C) to the Side Panel (K) by securing with M6\*35 Head Cap Screws (L) and Washers (M). Do this in 3 places.



**NOTE:DO NOT TIGHTEN THE SCREWS COMPLETELY.**

2

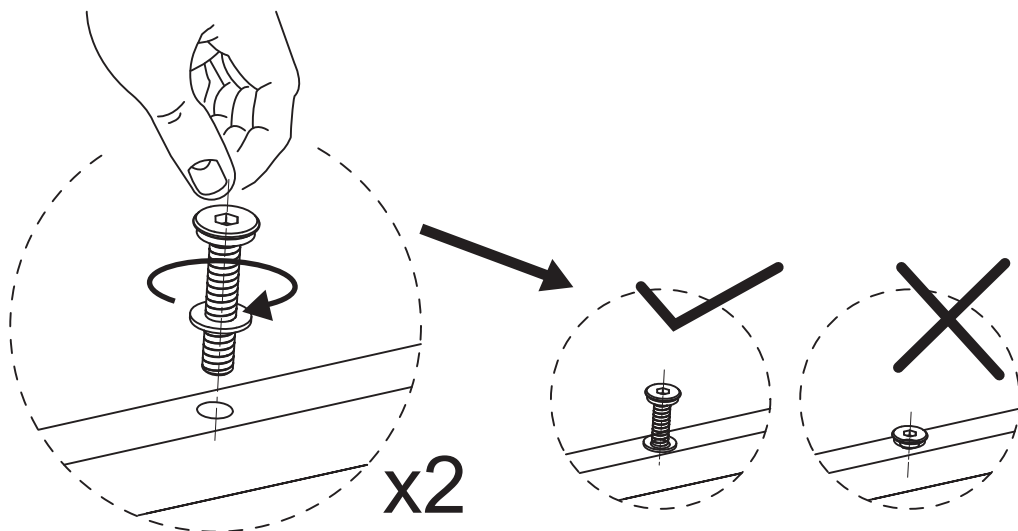
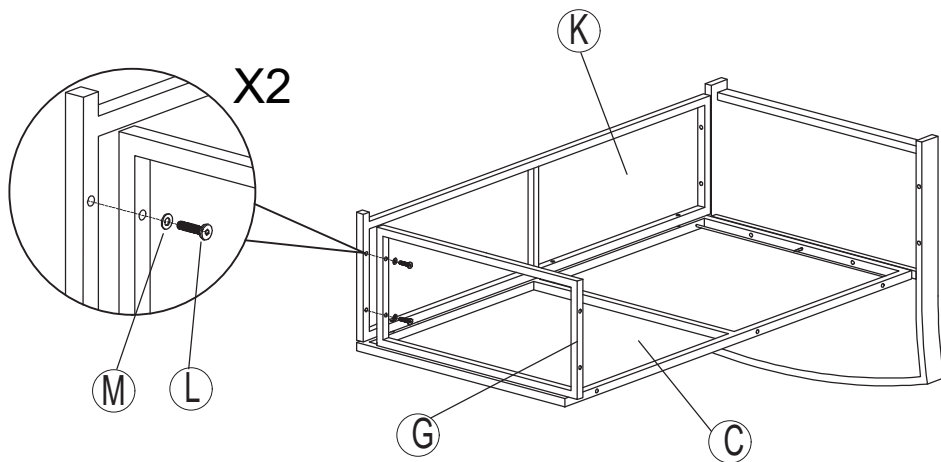
Attach the Left Armrest (B) to the Side Panel (K) by securing with M6\*35 Head Cap Screws (L) and Washers (M). Do this in 2 places.



**NOTE:DO NOT TIGHTEN THE SCREWS COMPLETELY.**

3

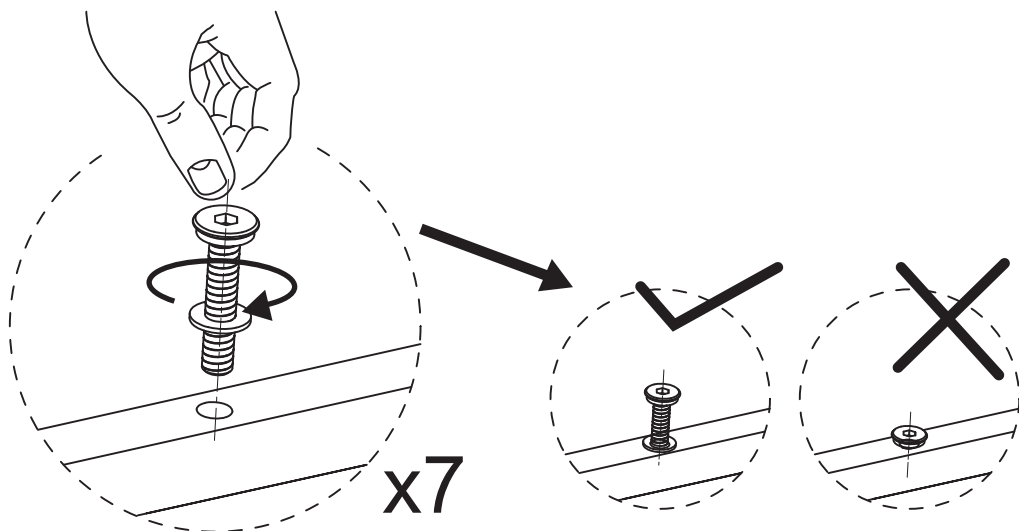
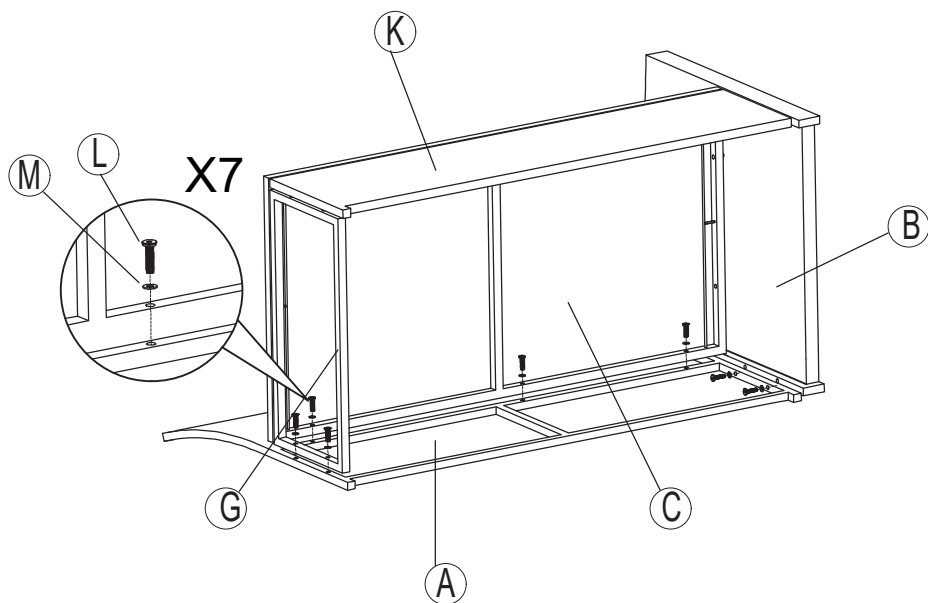
Attach the Side Panel (G) to the Side Panel (K) by securing with M6\*35 Head Cap Screws (L) and Washers (M). Do this in 2 places.



**NOTE: DO NOT TIGHTEN THE SCREWS COMPLETELY.**

4

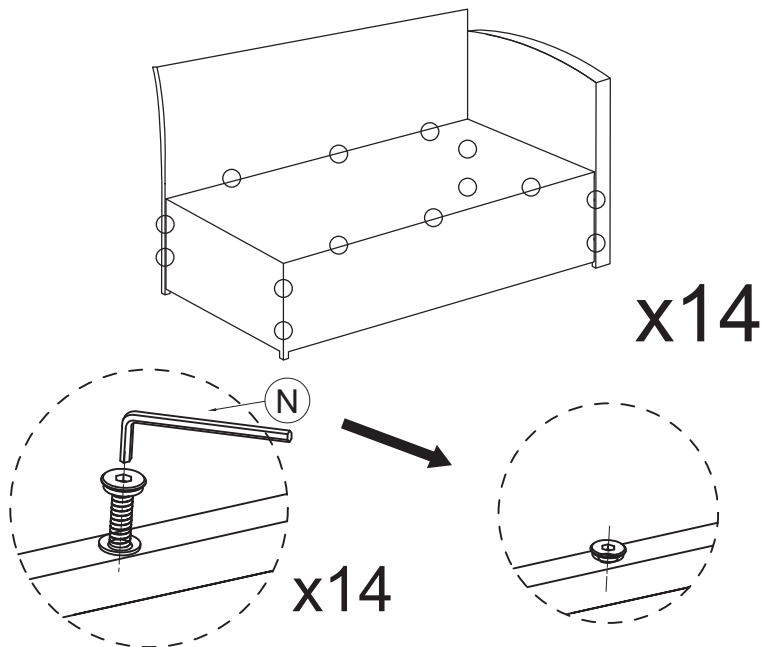
Attach the Back (A) to the Seat Base (C) and the Side Panel (G) and the Left Armrest (B) by securing with M6\*35 Head Cap Screws (L) and Washers (M). Do this in 7 places.



**NOTE: DO NOT TIGHTEN THE SCREWS COMPLETELY.**

5

Tighten all 14 Screws into place with Allen Key (N).

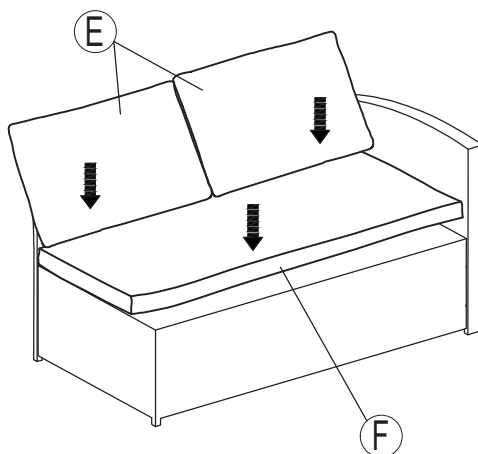


**NOTE:**IF ANY SCREW HOLES CANNOT BE ALIGNED, LOOSEN ALL THE SCREWS AND GO BACK STEP 1 AND RESTART ASSEMBLY.

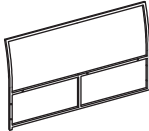

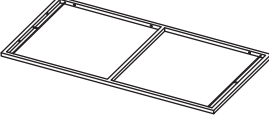
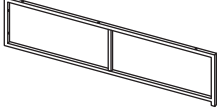
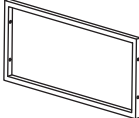





6

Place the Sofa on a level surface.

Place Back Cushions (E) and Seat Cushion (F) on the sofa and your sofa is ready for use.



# COMPONENT LIST - MIDDLE CORNER SOFA

Item no.	Reference Image	Description	Qty.
A		Back	1
D		Left Armrest	1
C		Seat Base	1
K		Side Panel	1
G		Side Panel	1
L		M6*35 Head Cap Screws	14
M		Washer	14
N		Allen Key	1
E		Back Cushion	3
F		Seat Cushion	1

**NOTE:**

Do NOT tighten any screws fully first until you have tightened all the screws.

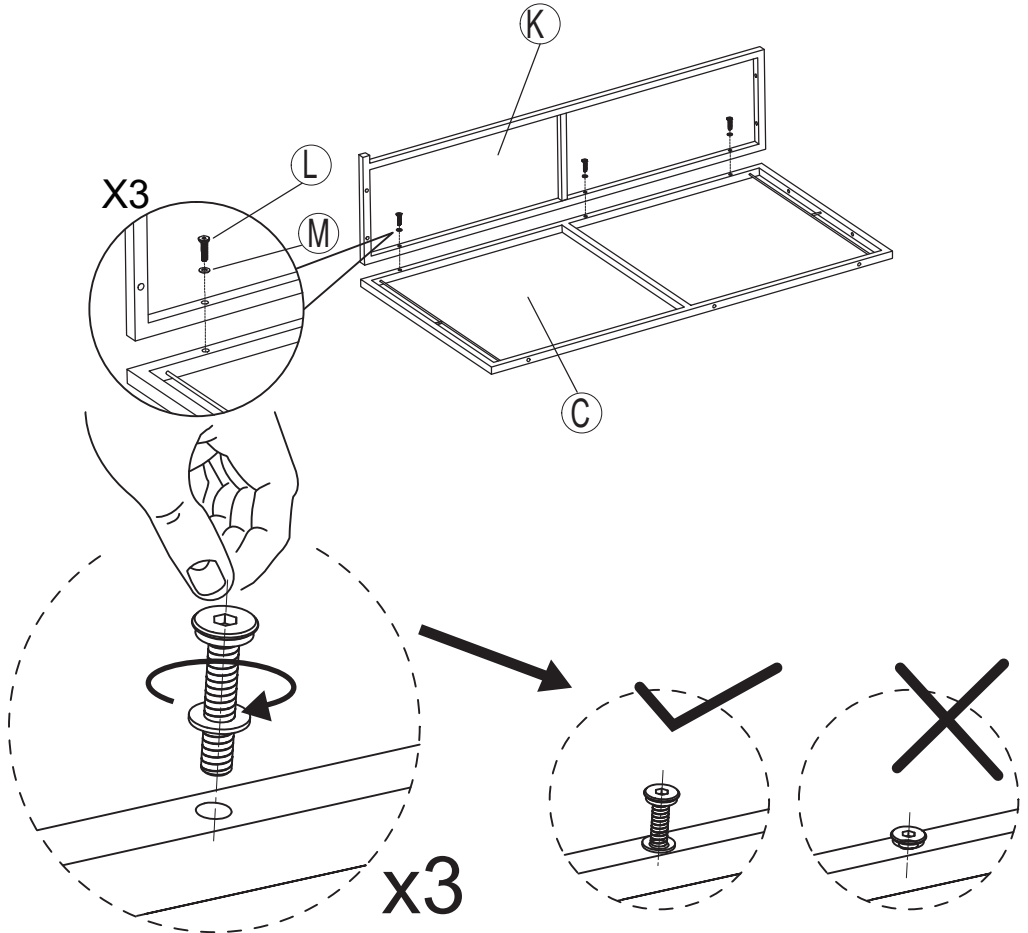
This may cause the frame to warp.

If there is still wobbles or screw holes cannot be aligned, loosen the screws and tighten sequentially.

If the Sofa is not stable it could lead to damage to the product.

**1**

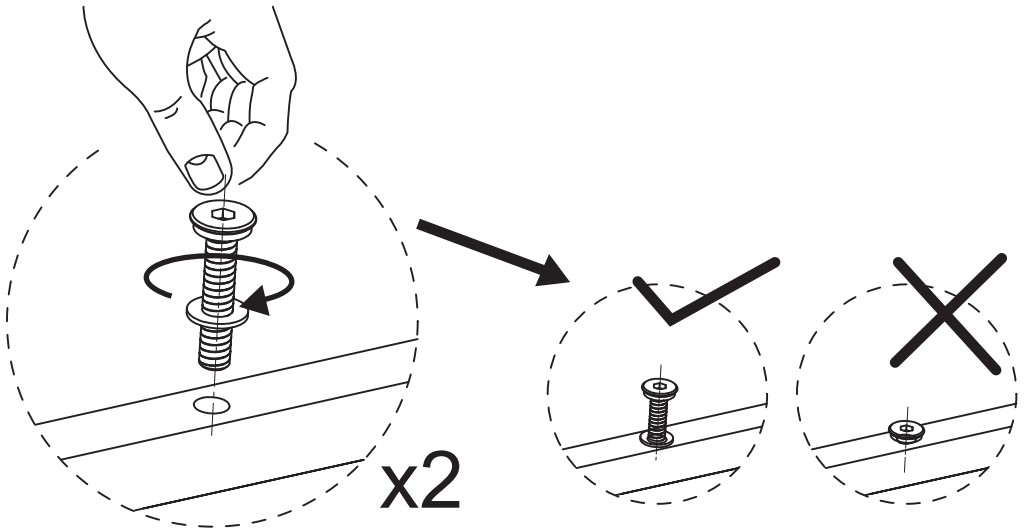
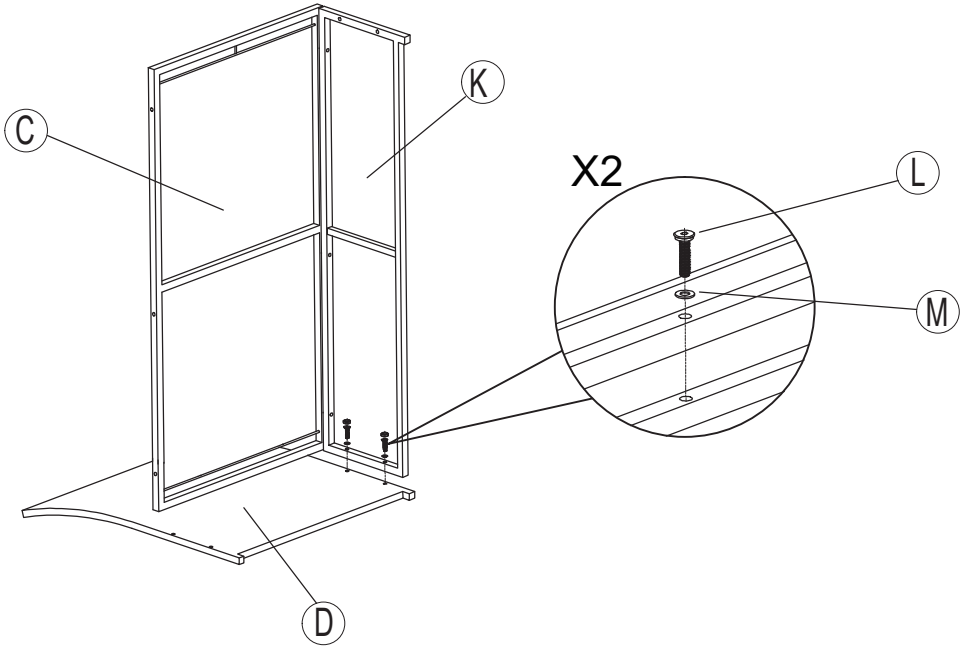
Attach the Seat Base (C) to the Side Panel (K) by securing with M6\*35 Head Cap Screws (L) and Washers (M). Do this in 3 places.



**NOTE:DO NOT TIGHTEN THE SCREWS COMPLETELY.**

2

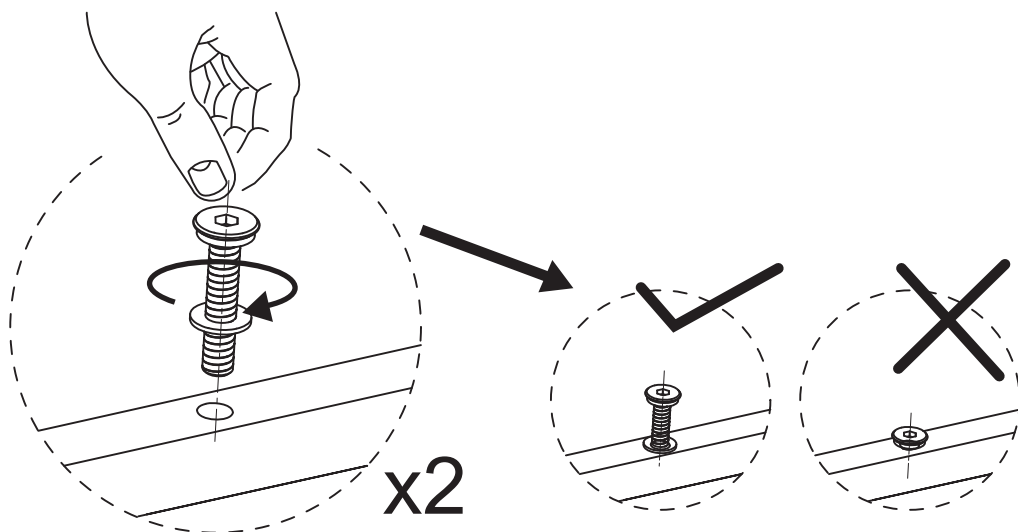
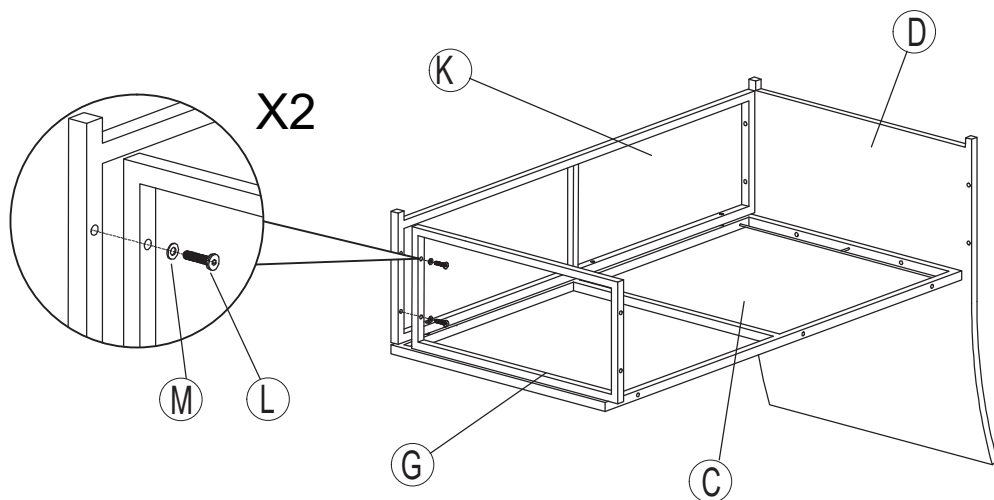
Attach the Left Armrest (D) to the Side Panel (K) by securing with M6\*35 Head Cap Screws (L) and Washers (M). Do this in 2 places.



**NOTE:DO NOT TIGHTEN THE SCREWS COMPLETELY.**

3

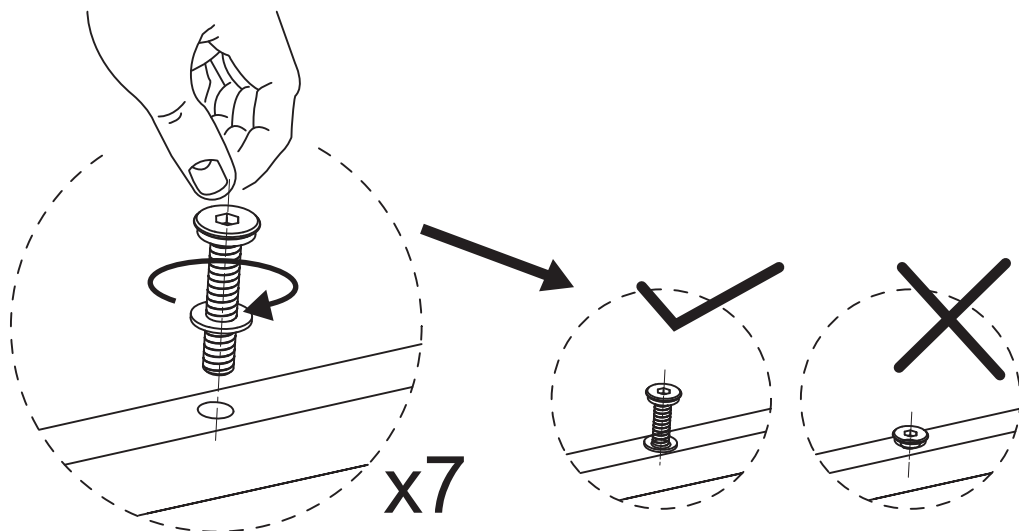
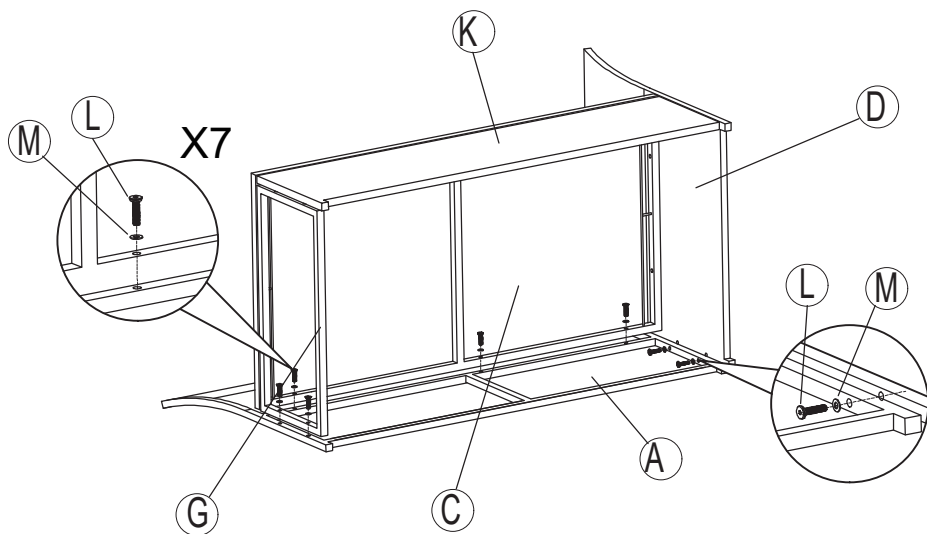
Attach the Side Panel (G) to the Side Panel (K) by securing with M6\*35 Head Cap Screws (L) and Washers (M). Do this in 2 places.



**NOTE: DO NOT TIGHTEN THE SCREWS COMPLETELY.**

4

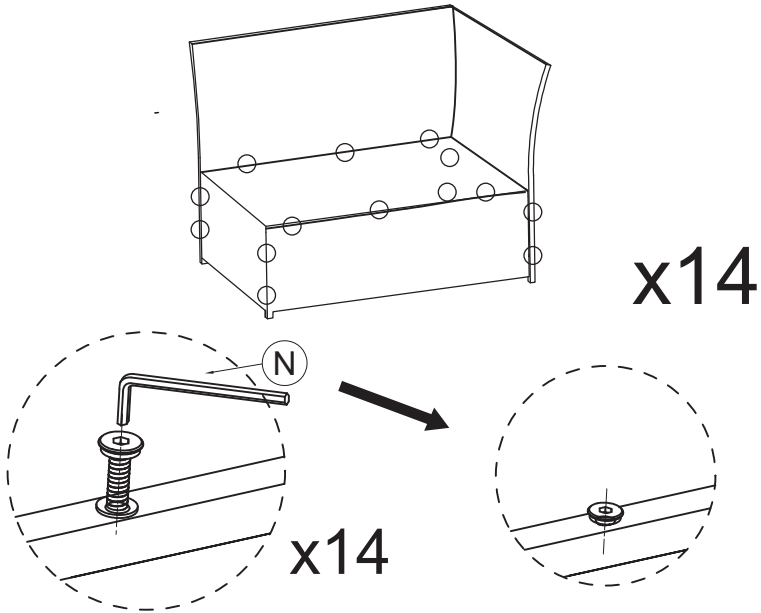
Attach the Back (A) to the Seat Base (C) and the Side Panel (G) and the Left Armrest (D) by securing with M6\*35 Head Cap Screws (L) and Washers (M). Do this in 7 places.



**NOTE: DO NOT TIGHTEN THE SCREWS COMPLETELY.**

5

Tighten all 14 Screws into place with Allen Key (N).

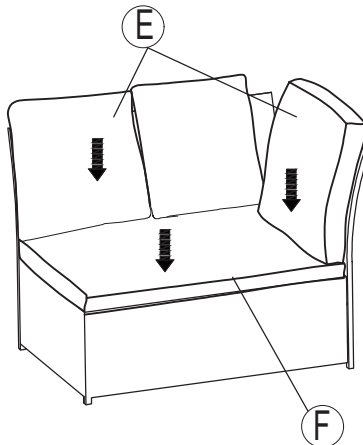


**NOTE:**IF ANY SCREW HOLES CANNOT BE ALIGNED, LOOSEN ALL THE SCREWS AND GO BACK STEP 1 AND RESTART ASSEMBLY.




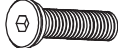


6

Place the Sofa on a level surface.

Place Back Cushions (E) and Seat Cushion (F) on the sofa and your sofa is ready for use.



## COMPONENT LIST - TABLE

Item no.	Reference Image	Description	Qty.
H		Table top	1
I		Leg Panel	2
R		Connecting Rod	1
T		M6*20 Head Cap Screws	8
M		Washer	8
N		Allen Key	1

**NOTE:**

Do NOT tighten any screws fully first until you have tightened all the screws.

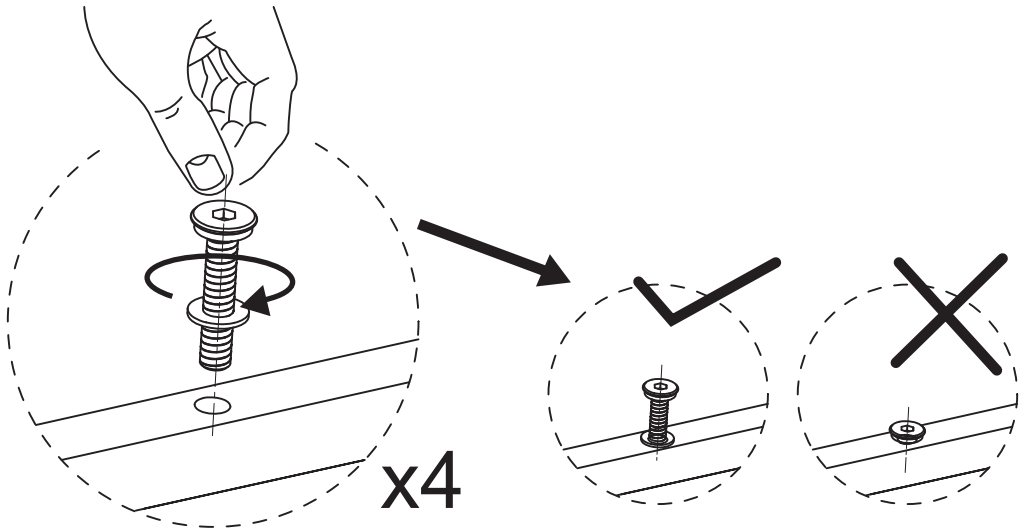
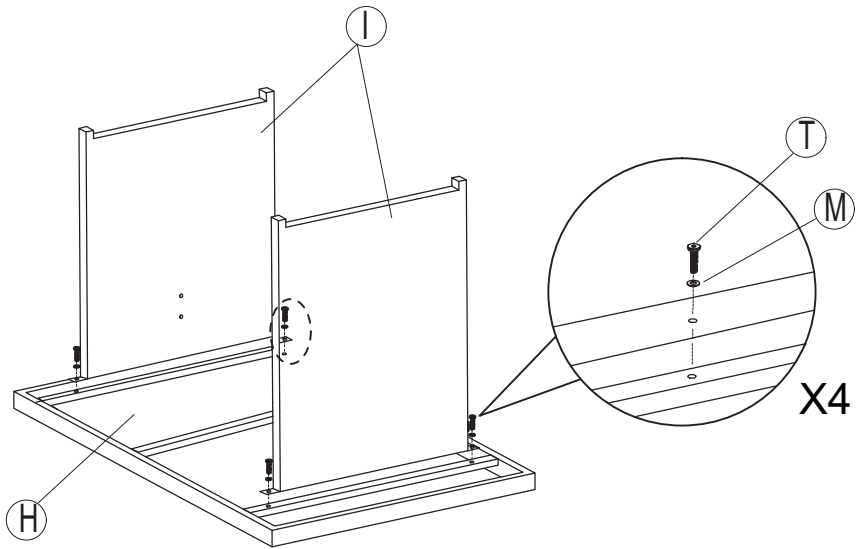
This may cause the frame to warp.

If there is still wobbles or screw holes cannot be aligned, loosen the screws and tighten sequentially.

If the Table is not stable it could lead to damage to the product.

1

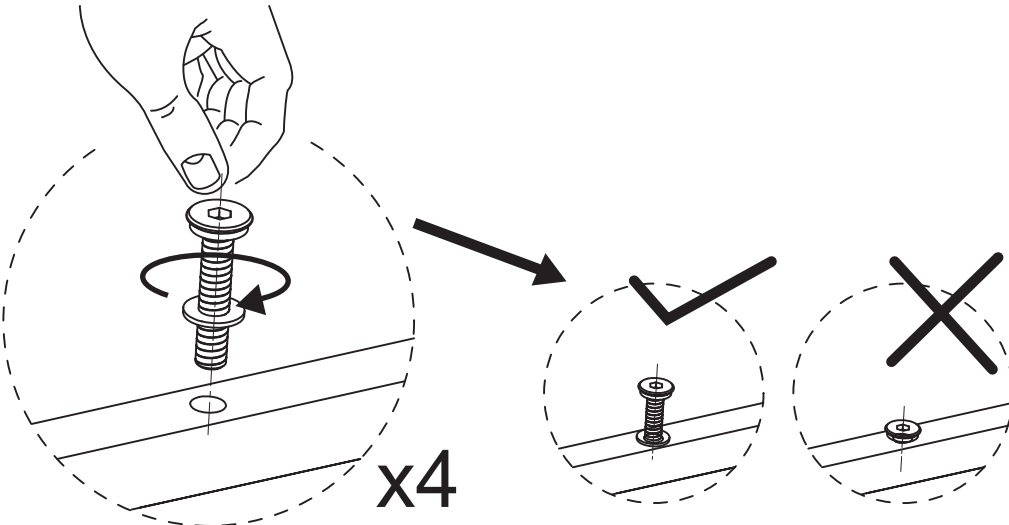
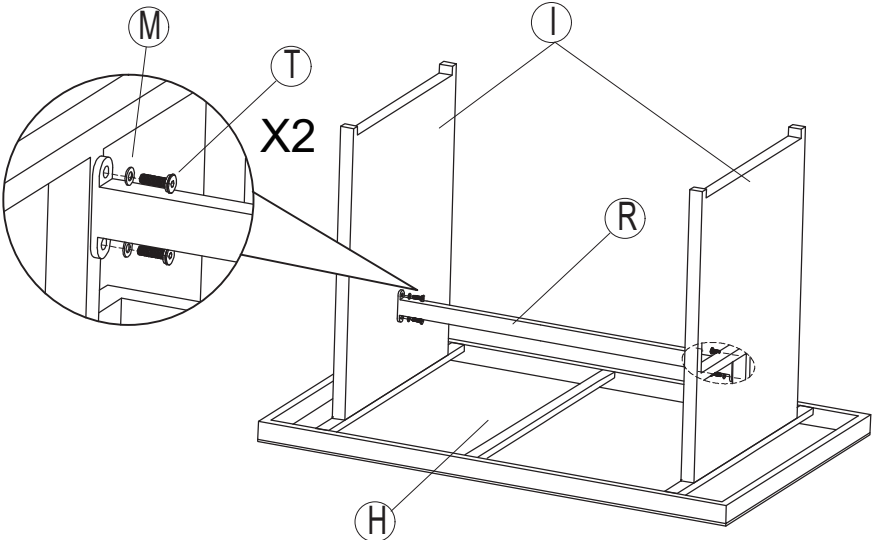
Attach the two leg panels (I) to the Table top (H) by securing with M6\*20 Head Cap Screws (T) and Washers (M). Do this in 4 places.



**NOTE: DO NOT TIGHTEN THE SCREWS COMPLETELY.**

2

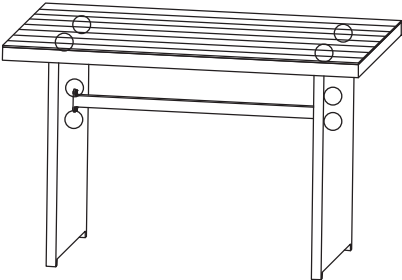
Attach the connecting rod (R) to the two leg panels (I) by securing with M6\*20 Head Cap Screws (T) and Washers (M). Do this in 2 places.



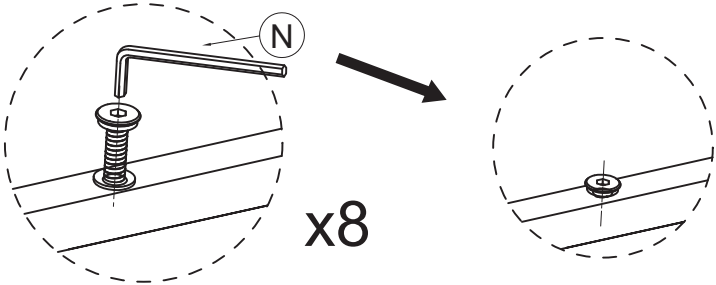
**NOTE:DO NOT TIGHTEN THE SCREWS COMPLETELY.**

3

Tighten all 8 Screws into place with Allen Key (N).



x8

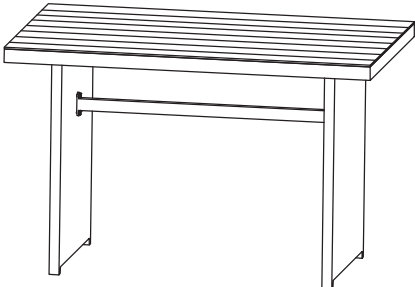


x8

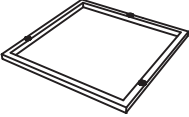
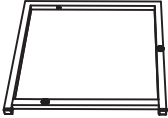
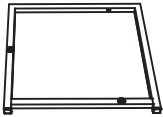
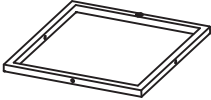
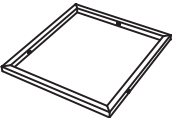

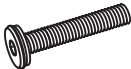

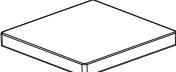
**NOTE:**IF ANY SCREW HOLES CANNOT BE ALIGNED, LOOSEN ALL THE SCREWS AND GO BACK STEP 1 AND RESTART ASSEMBLY.

4

Place the Table top on a level surface. Your table is ready for use.



## COMPONENT LIST - OTTOMAN\*3

Item no.	Reference Image	Description	Qty.
J		Top Panel	1
O		Leg Panel	1
P		Leg Panel	1
W		Back Panel	1
Z		Bottom Panel	1
M		Washer	8
Y		M6X30 Head Cap Screws	8
N		Allen Key	1
Q		Cushion	1

**NOTE:**

When tightening the screws, tighten sequentially.

DO NOT tighten any screws fully and then move on to the next one.

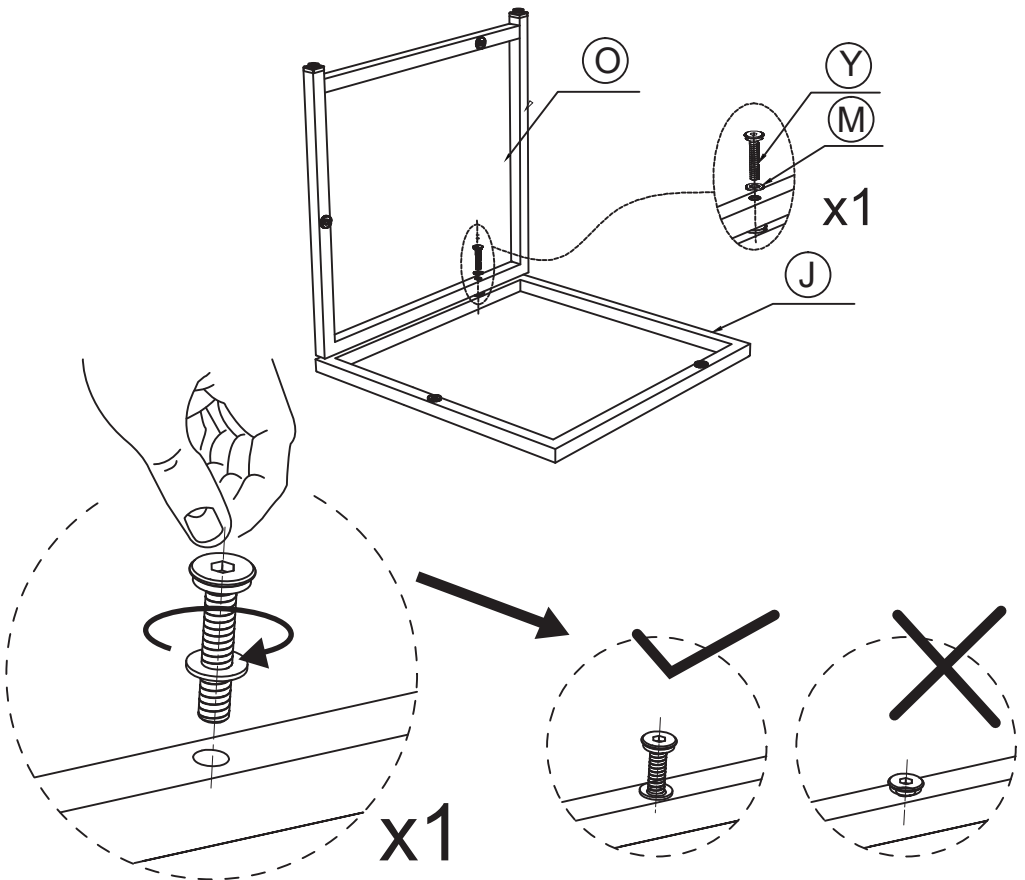
This may cause the frame to warp.

If there is still wobbles or screw holes cannot be aligned,loosen the screws and execute this same process.

If the Table is not stable it could lead to damage to the product.

**1**

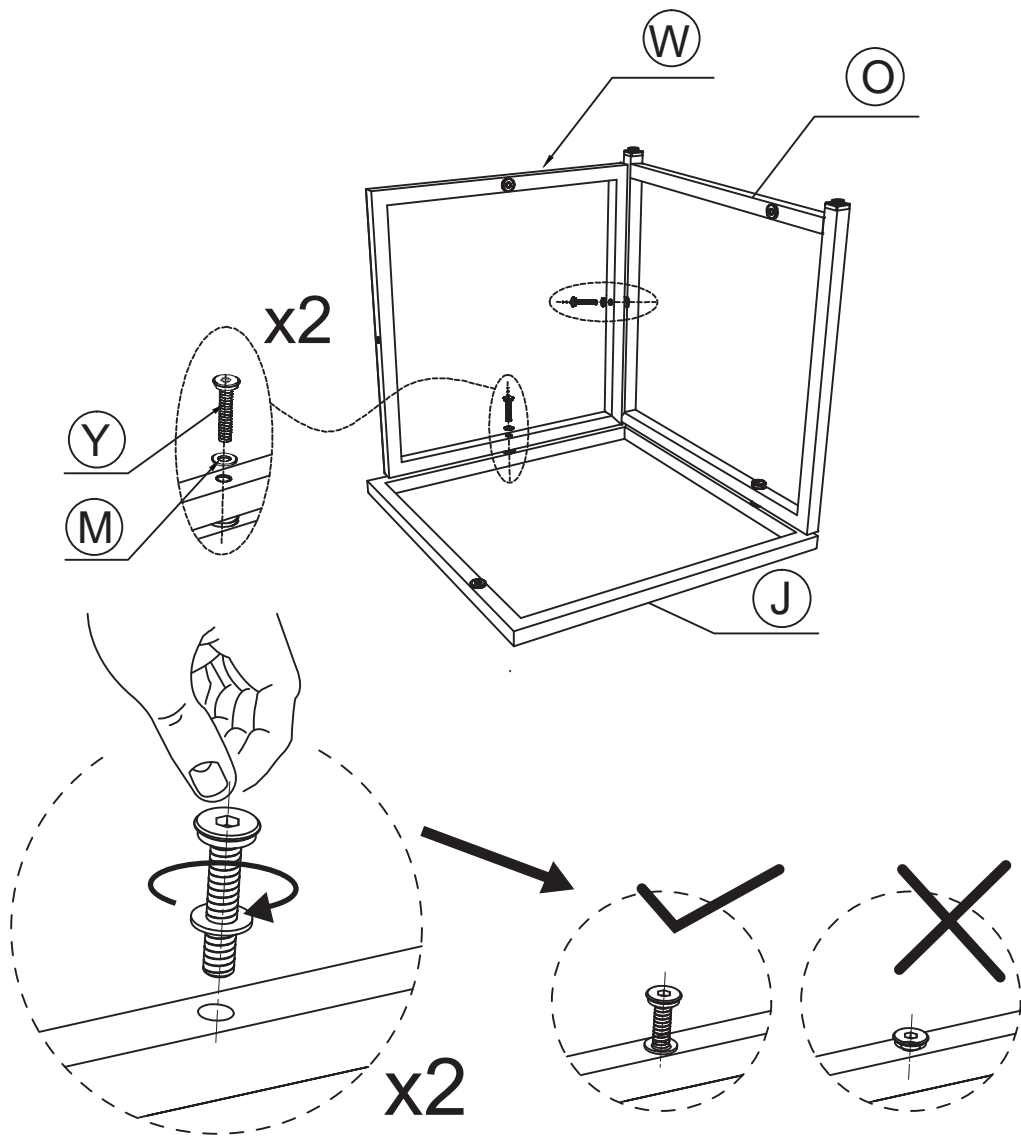
Attach the Leg Panel (O) to the Top Panel (J) by securing with Head Cap Screw (Y) and Washer (M). Do this in 1 place.



**NOTE:DO NOT TIGHTEN THE SCREWS COMPLETELY.**

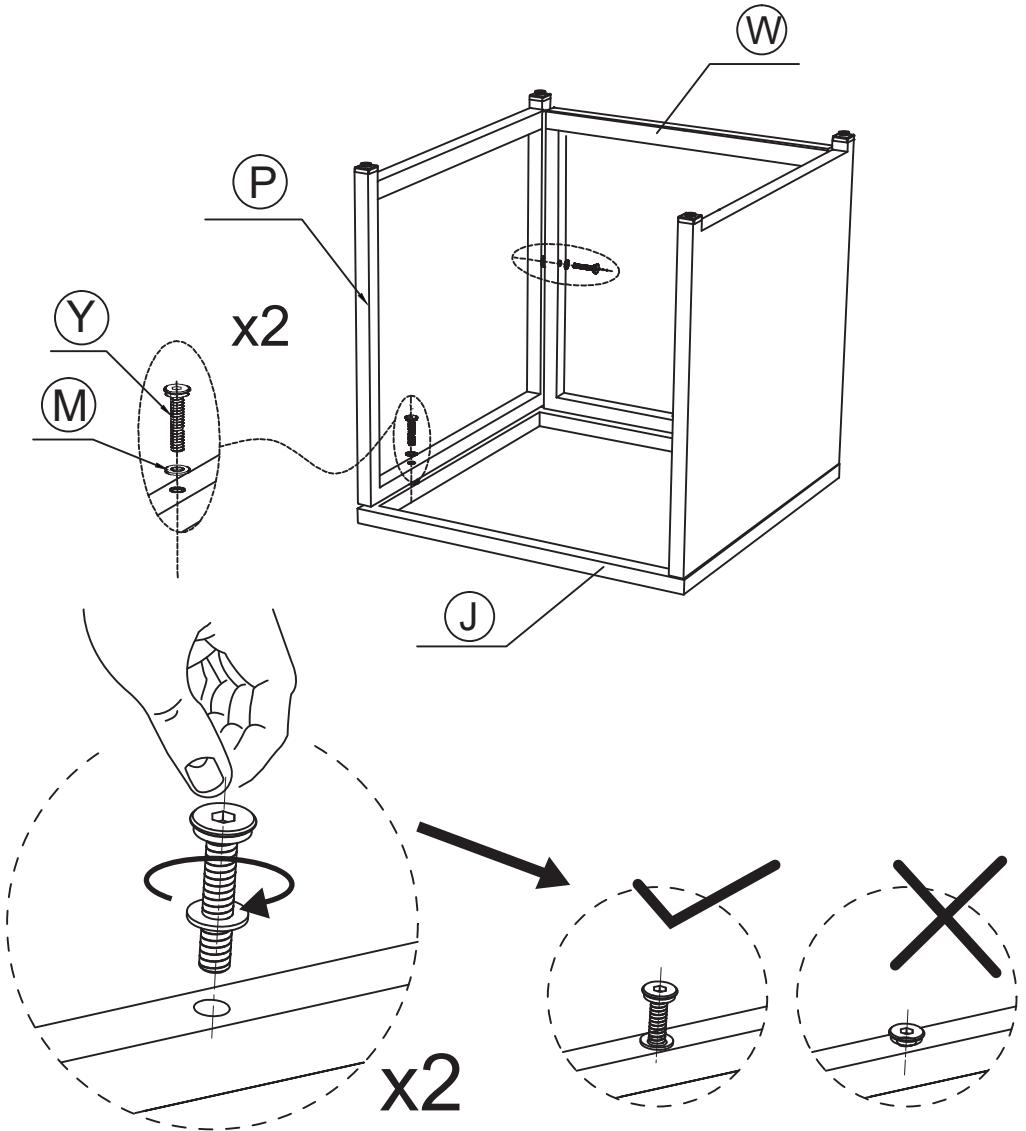
2

Attach the Back Panel (W) to the Leg Panel (O) and Top Panel(J) by securing with Head Cap Screws (Y) and Washers (M). Do this in 2 places.



3

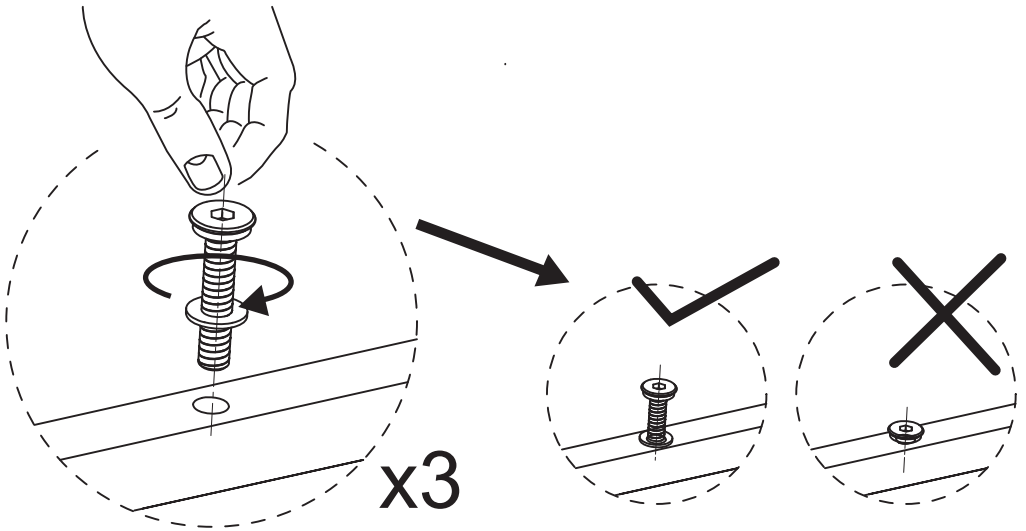
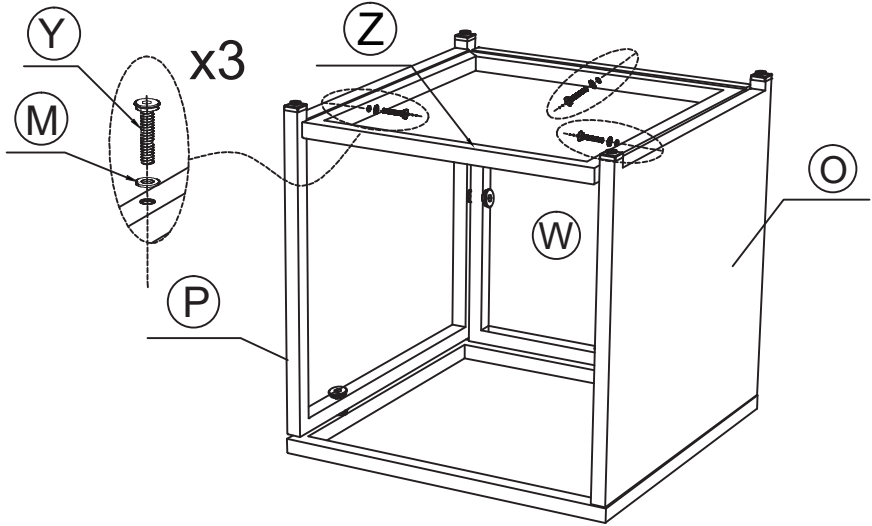
Attach the Leg Panel (P) to the Top Panel (J) and Back Panel (W) by securing with Head Cap Screws (Y) and Washers (M). Do this in 2 places.



**NOTE: DO NOT TIGHTEN THE SCREWS COMPLETELY.**

4

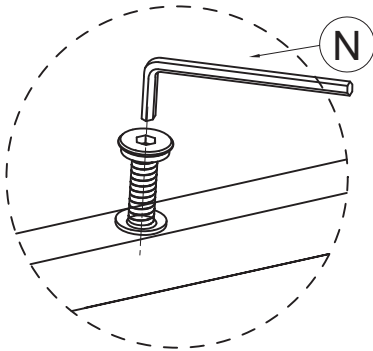
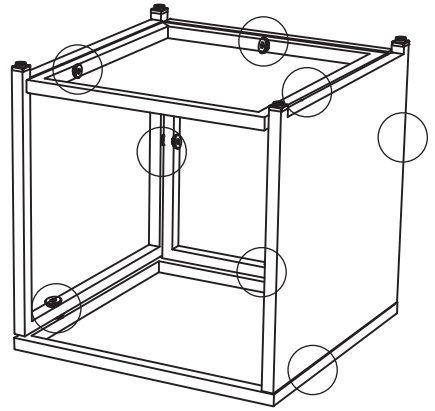
Attach the Bottom Panel (Z) to the Leg Panels (P) &(O) and Back Panel (W) by securing with Head Cap Screws (Y) and Washers (M). Do this in 3 places.



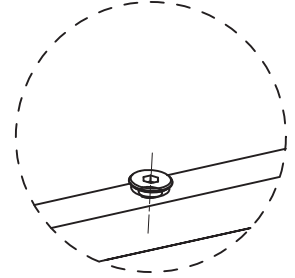
**NOTE: DO NOT TIGHTEN THE SCREWS COMPLETELY.**

5

Tighten all 8 Screws into place with Allen Key (N).



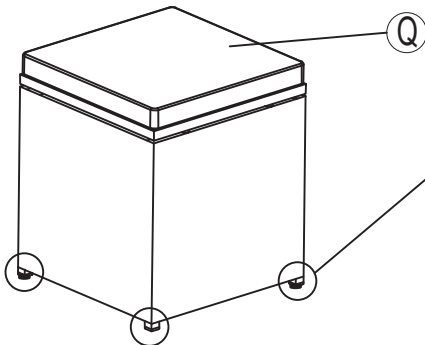
x8



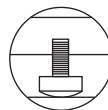
**NOTE:**IF ANY SCREW HOLES CANNOT BE ALIGNED, LOOSEN ALL THE SCREWS AND GO BACK STEP 1 AND RESTART ASSEMBLY.

6

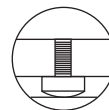
Place the ottoman on a level surface and adjust height for balance. Place the cushion (Q) on the ottoman and your ottoman is ready for use.



Adjust Pre-installed levelers height for balance

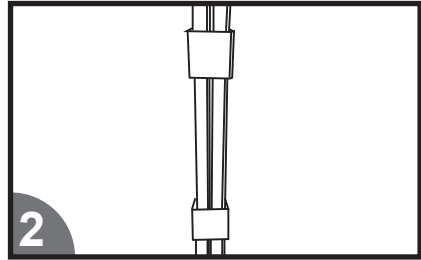
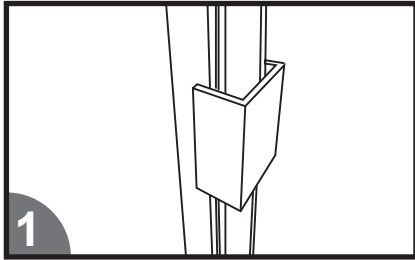


Adjust height for balance



Adjust low for balance

## SECTIONAL SOFA CONNECTOR MANUAL



- 
- Sectional outdoor wicker patio sofa is very light weight in nature and subject to movement.
  - These high quality fasteners prevents movement between modules to maintain the aesthetically good look of your modular patio furniture set.
  - Two fasteners are recommended between Two adjoining module.