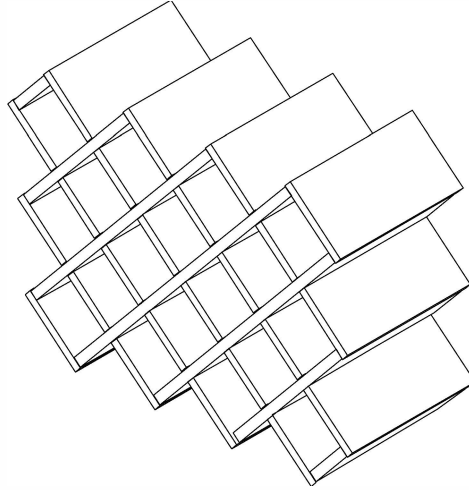


ASSEMBLY INSTRUCTIONS

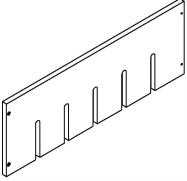
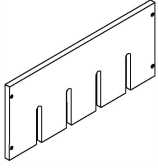
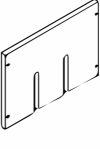

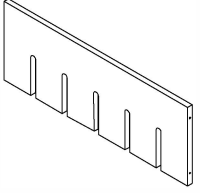
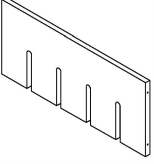
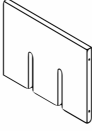


WINE RACK



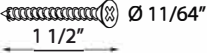


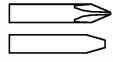
NOTE TO CUSTOMERS:

- For ease and speed of assembly we recommend that before you commence each step of the assembly that you identify all the parts required to complete that step.
- We recommend that where possible you allow sufficient space to assemble the item as close as possible to the place where it will be once assembled.
- For the protection of your furniture we recommend that the product is placed on a dry, soft, smooth and clean surfaces during assembly to prevent any damage. Avoid damp and direct sunlight.
- During assembly do not over tighten the screws or bolts, as this may damage the product.
- Please ensure you retain all the product packaging until the item is completely assembled.
- Periodically check all fitting and re-tighten as necessary.
- Never allow any liquids to remain on your furniture as absorption can cause the wood to warp or finish to de-laminate.
- It is recommended that this item should be assembled by two adults.

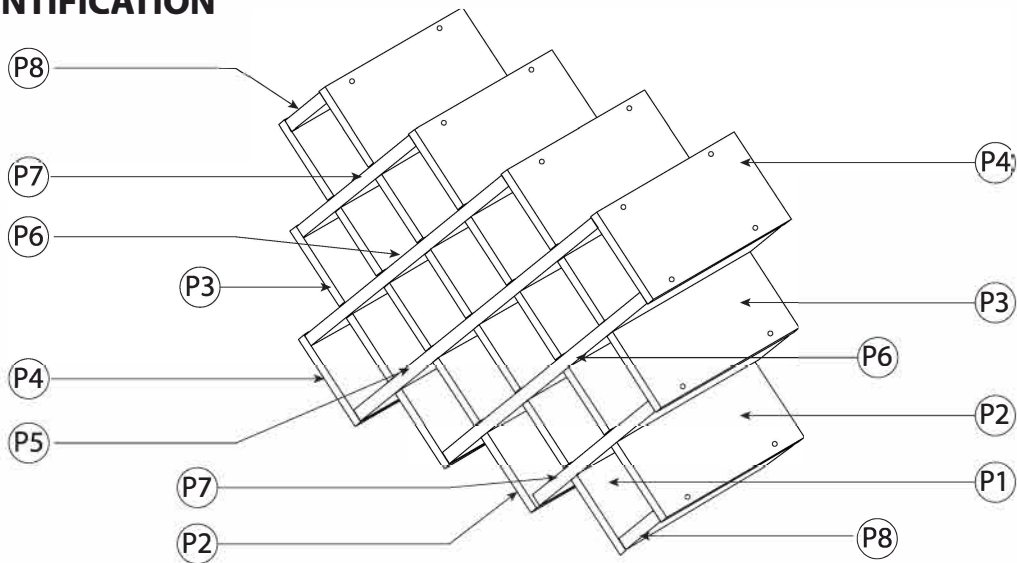
PARTS IDENTIFICATION

<p>P1 Quantity: 1</p>  <p>Main Panel</p>	<p>P2 Quantity: 2</p>  <p>Second Panel</p>	<p>P3 Quantity: 2</p>  <p>Third Panel</p>	<p>P4 Quantity: 2</p>  <p>Cap Panel</p>	<p>P5 Quantity: 1</p>  <p>Center Panel</p>
<p>P6 Quantity: 2</p>  <p>Intermediate Panel</p>	<p>P7 Quantity: 2</p>  <p>Sub Panel</p>	<p>P8 Quantity: 2</p>  <p>End Panel</p>	 <p>This item requires two adult persons to assemble it</p>	

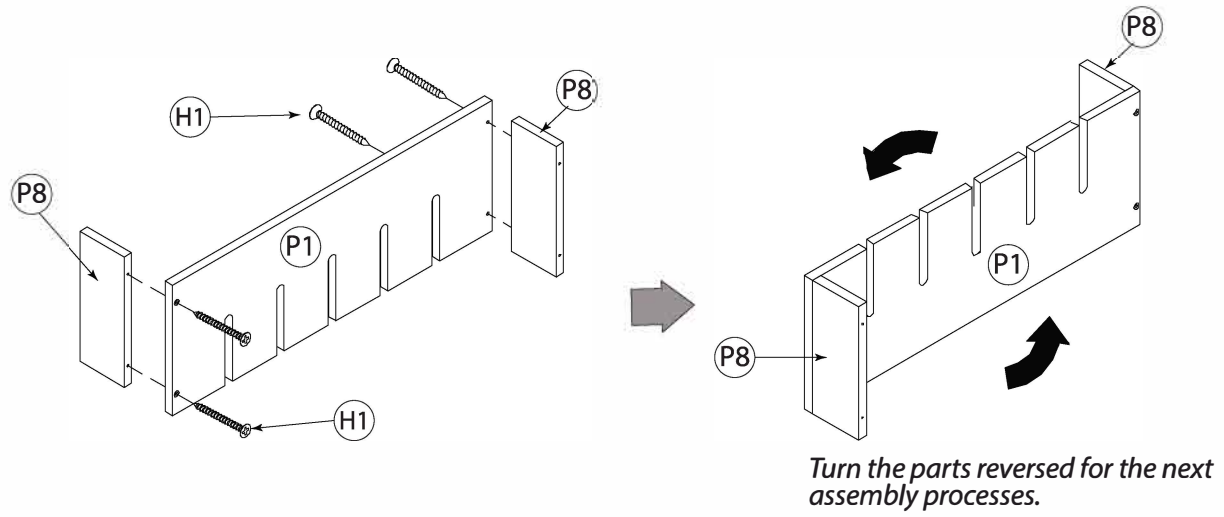
HARDWARE LIST

<p>H1 Screw #9 x 1 1/2"</p>  <p>Quantity: 28 pcs</p>	<p>H2 Sticker</p>  <p>Quantity: 28 pcs</p>	<p>Tools required:</p>  <p>MALLET</p>  <p>HOUSEHOLD SCREWDRIVER</p>
---------------------------------------------------------------------------------------------------------------------------------------	-----------------------------------------------------------------------------------------------------------------------------	-----------------------------------------------------------------------------------------------------------------------------------------------------------------------------------------------------------------------------------------

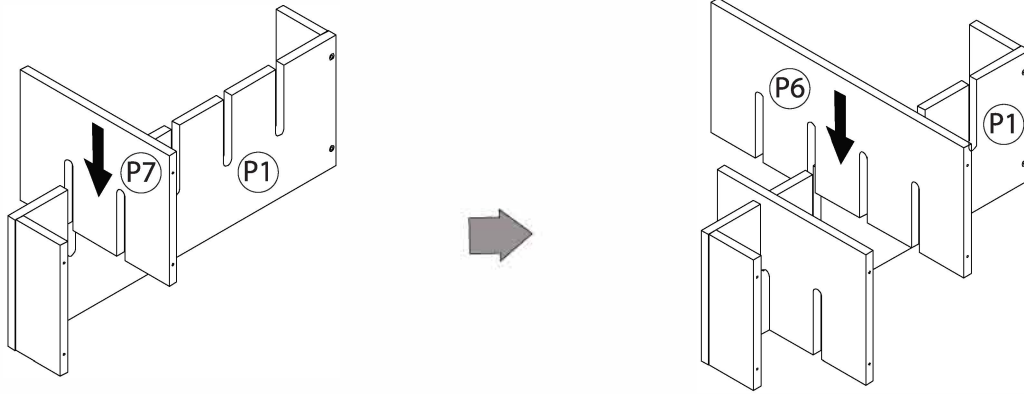
PARTS IDENTIFICATION



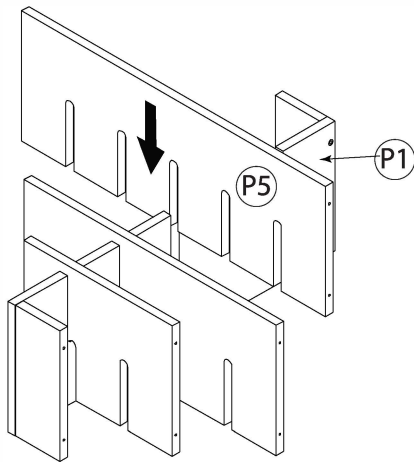
STEP 1



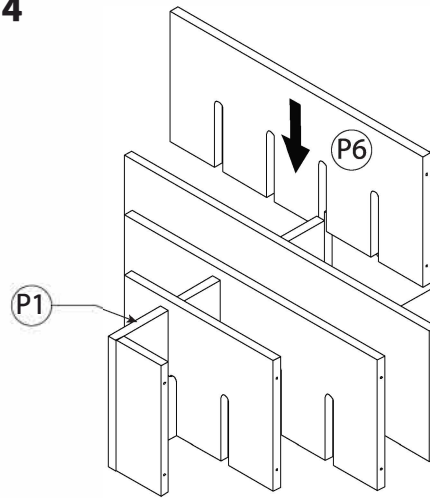
STEP 2



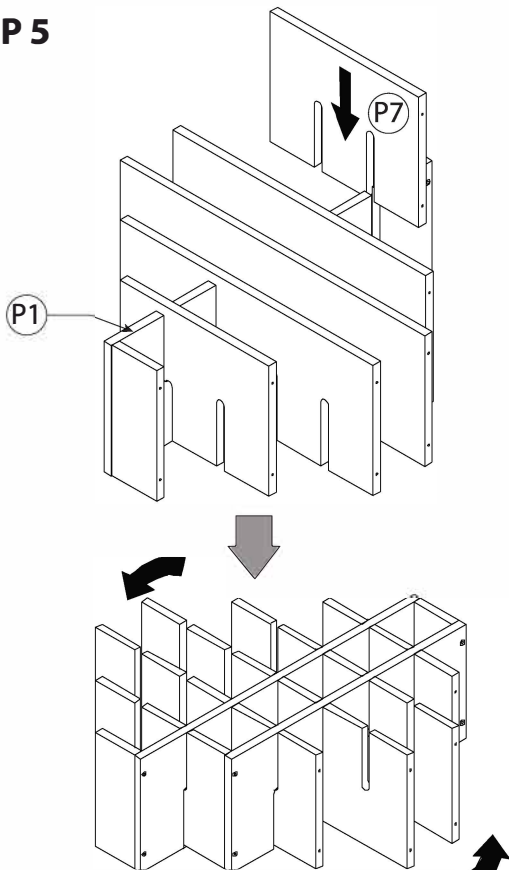
STEP 3



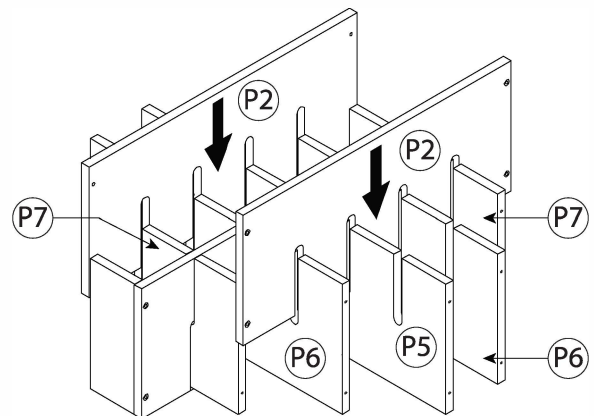
STEP 4



STEP 5

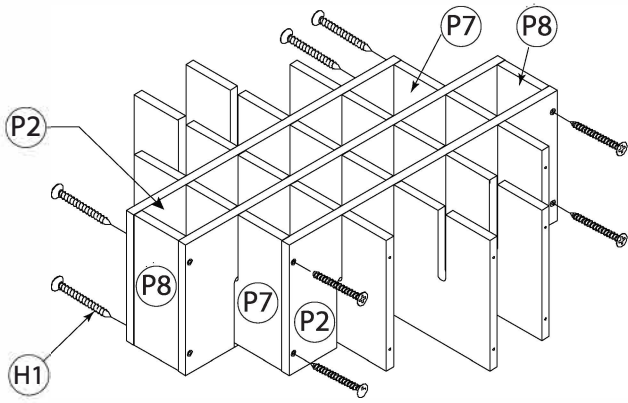


STEP 6

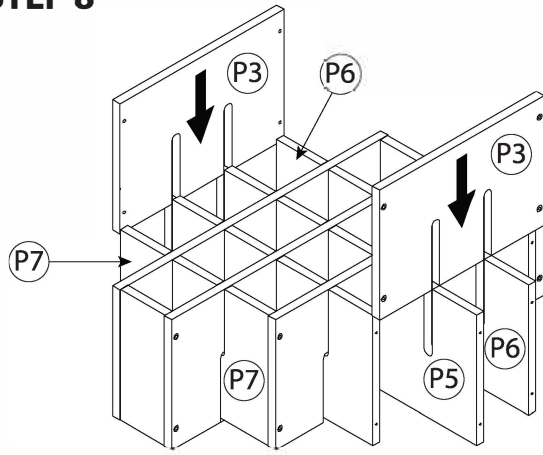


Turn the parts reversed for the next assembly processes.

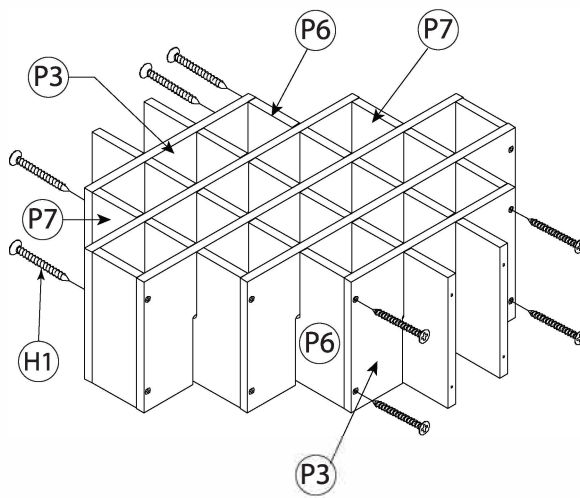
STEP 7



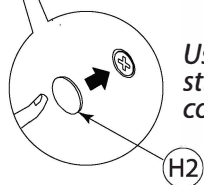
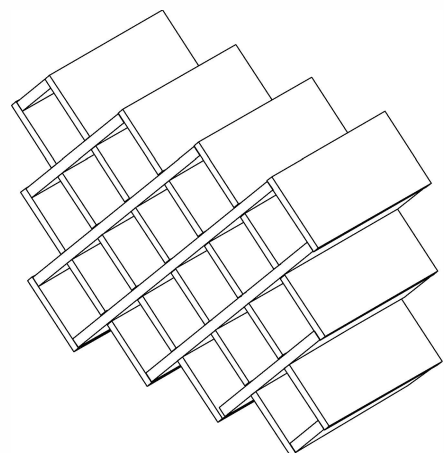
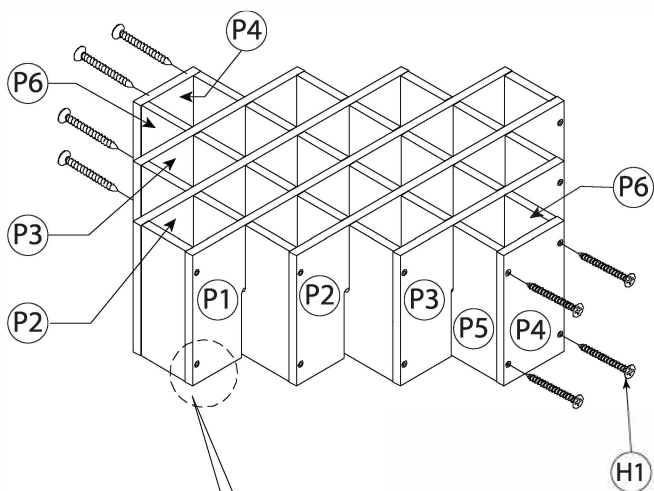
STEP 8



STEP 9



STEP 10



Use the provided stickers (H2) to cover the screw holes.