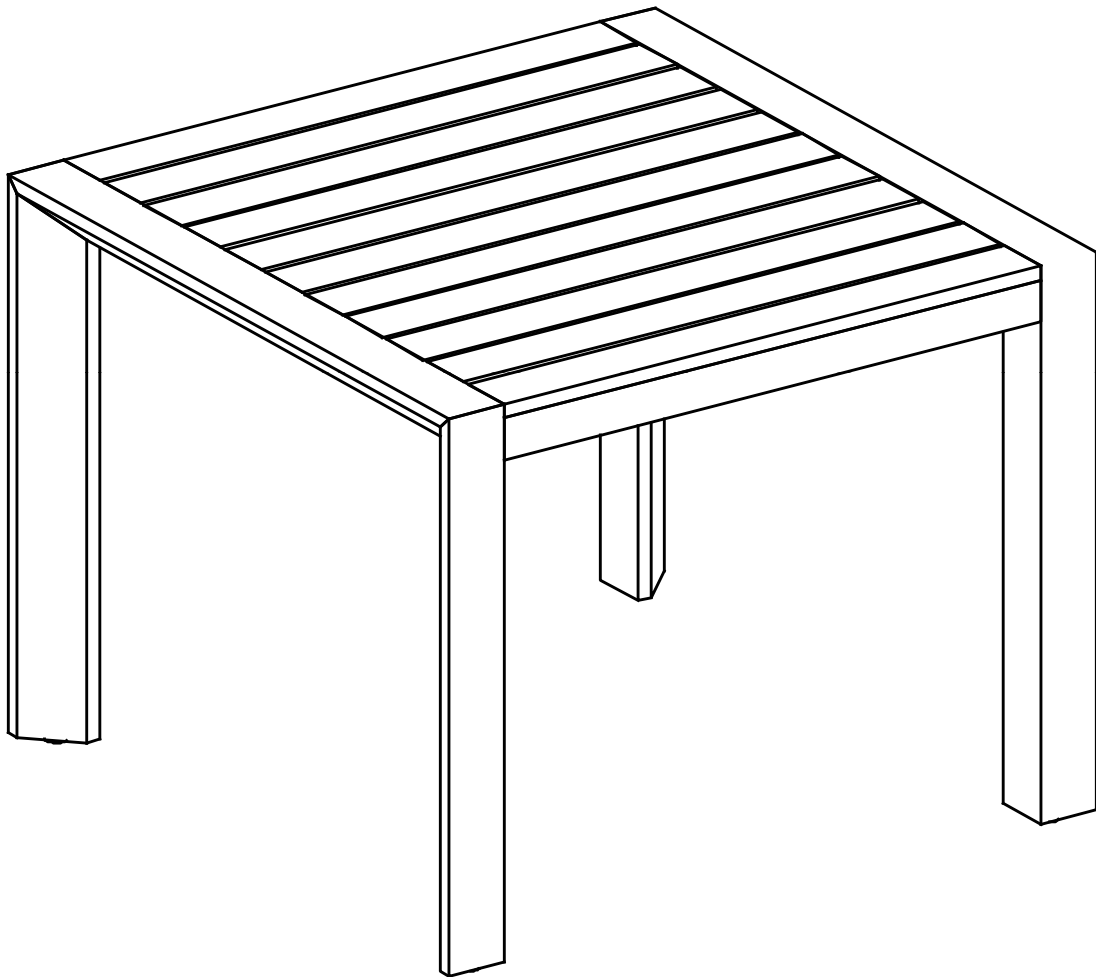


Assembly Instructions

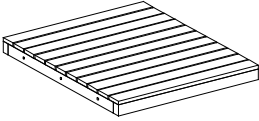
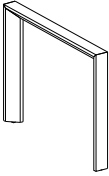
TABLE

CAUTION: You must read this before you proceed.





CAUTION : This Table is NOT a TOY.
Keep your child / children at bay in the process of assembly.
For turning the Table and to prevent damage to the Table, 02 persons may be needed to execute this action.

Parts List

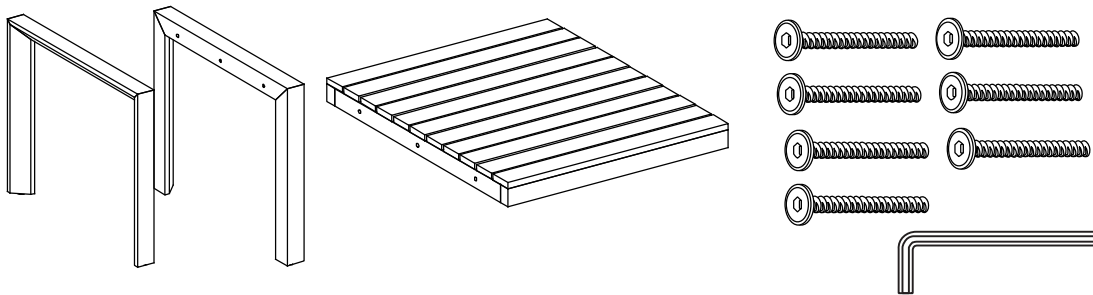
No.	Picture	Description	Qty
A		Table Top	1
B		Leg Panels	2

Hardware

No.	Picture	Description	Qty
①		Bolts (M6 x 35mm)	7
②		Allen Key	1

Assembly Preparation

Before Beginning Assembly:



Read instructions, cover to cover.



Have 2 adults on hand for assembly.



Do not assemble on flooring or carpet.



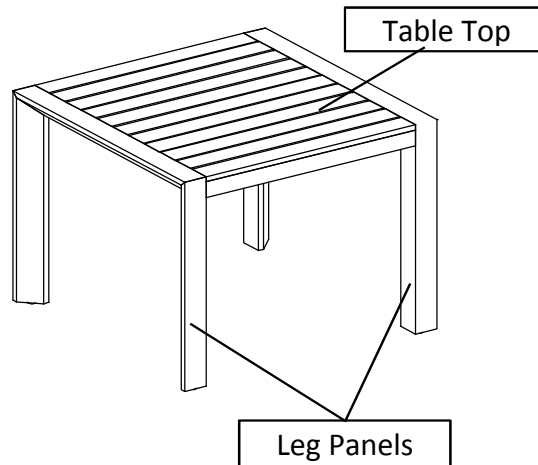
Assemble on a clean non-marring surface (packing foam).



Save all packaging until finished.

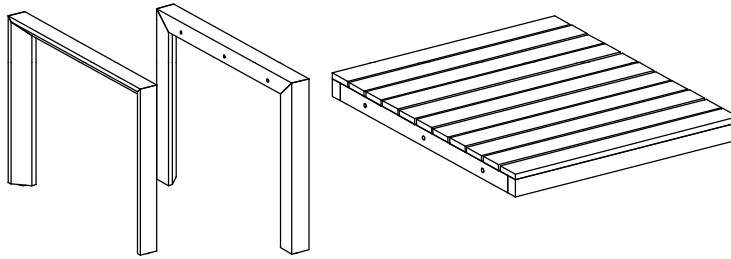
Assembly Steps

OVERVIEW



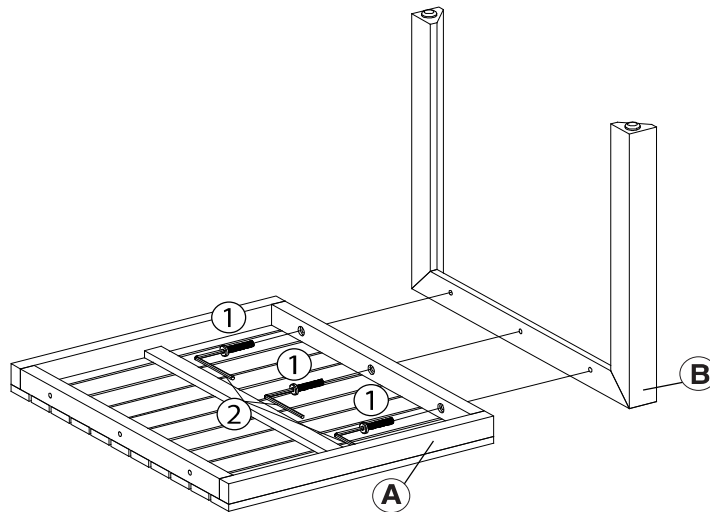
This Table has multiple parts and may require up to 30 minutes to assemble.
To give you an overview of the Table parts, the above picture is to help you put the various parts into perspective.
Please read through the instructions herebelow to familiarise the parts and steps before assembly.

Step 1



Unpack and place all parts on a clean, non-marring surface.

Step 2

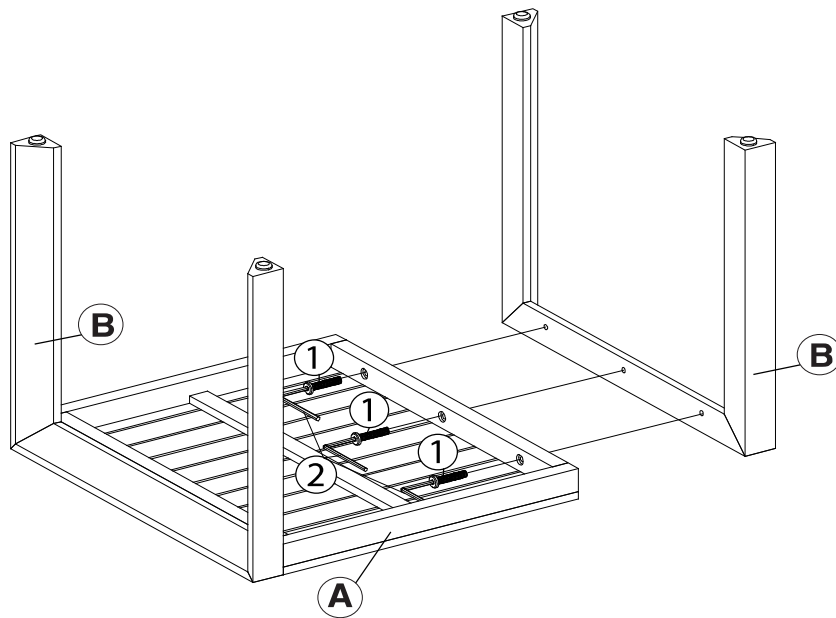


Place the Table Top (A) facedown, onto a clean, soft surface to avoid any scratches or damages to the product.

Position the Leg Panel (B) into the Table Top (A) as shown in picture above.
Then affix Leg Panel (B) to Table Top (A) by using Bolt (1) and Allen Key (2).

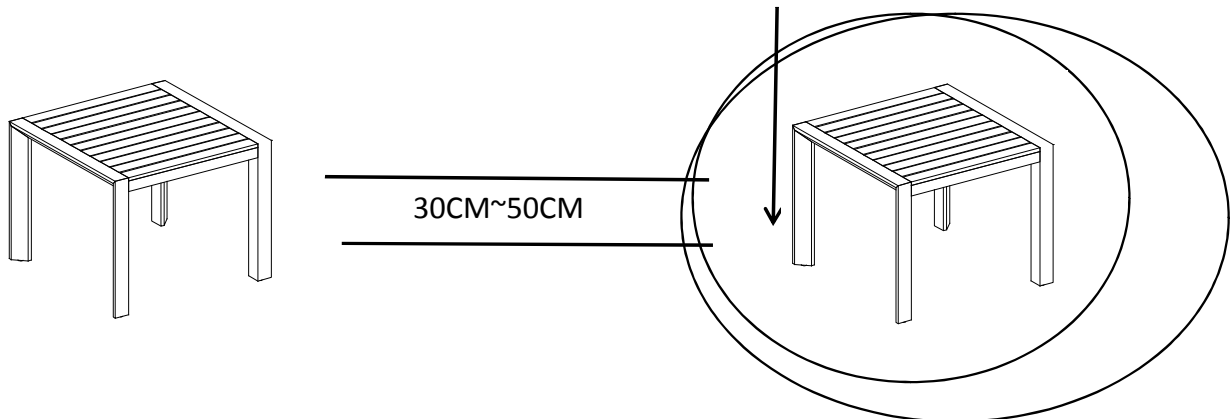
DO NOT FULLY TIGHTEN THE BOLTS

Step 3



Repeat the same process 2.2 to affix another Leg Panel (B) to Table Top (A).
DO NOT FULLY TIGHTEN THE BOLTS

Step 4





















Turn the Table right side up
Place the Table on a LEVEL SURFACE to see if it wobbles.

If it wobbles, lift the Table to some 30cm to 50cm height from the ground.
Keep your feet and toes well away from the drop zone.
Drop the Table freely and vertically with the four legs, hitting the ground, at the same time.
This Drop Test will help to ensure that all the screws and gaps to all reach full alignment status.
Test again for evenness on a LEVEL SURFACE.
If no wobbles found, proceed to tighten all the bolts.

CAUTION: When tightening these bolts tighten sequentially.
DO NOT tighten any bolts fully and then towards the next one.
This would cause the frame to warp.
If there is still wobbles, loosen the bolts and execute this same drop tests.

WARNING! IF THE TABLE IS NOT STABLE , IT COULD LEAD TO DAMAGE THE PRODUCT.

Care & Maintenance

-   ● Do not put hot items directly on furniture surface
 -   ● Do not clean furniture with harsh cleansers or polish.
 -   ● To obtain the longest life span of your outdoor products, minimizing exposure to direct sunlight is recommended.
 -   ● Children should not climb or jump on the furniture.
 -   ● Do not write on furniture without a padded barrier to protect the surface.
 -   ● To obtain the longest lifespan of your outdoor products, avoid extended and lengthy exposure to rain, snow, and direct sunshine. Whenever possible cover the product and /or place under patio or awnings.
 -   ● Not for commercial use. For residential use only .
 -   ● Stains may be removed with mild soap solution and damp cloth.
-
-   ● Dust and pick-up spills using a clean, non-colored, lint-free cloth .