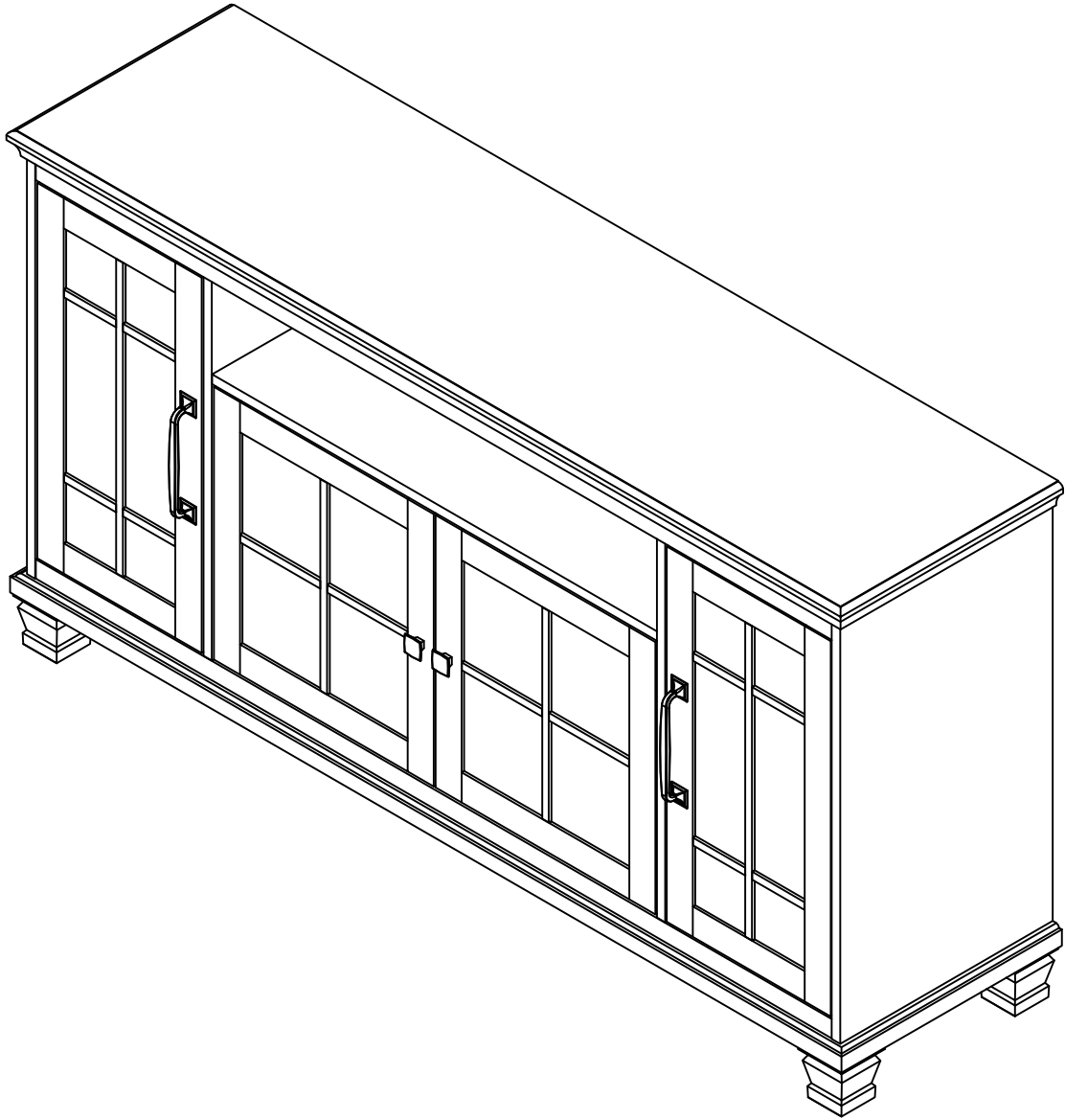


Assembly Instructions



BEFORE STARTING

Before Using Product

Read each step carefully before starting. It is very important that each step is performed in the correct order. If these steps are not followed in sequence, assembly difficulties will occur.

Make sure all parts are included.

Work in a spacious area and near where the unit will be used, preferably on a carpet, or use a piece of the cardboard packaging to protect your floor and product.

For a smooth assembly process, we suggest you keep a lite tightness for all the screws during assembly. After the whole product is assembled, firmly tighten all the screws.

WARNING

Do not allow children to climb on unit.

Avoid sharp objects or corrosive chemicals to prevent damage to the product.

During assembly, keep parts and packaging materials away from children and pets as there could be potential injury and choking hazards.

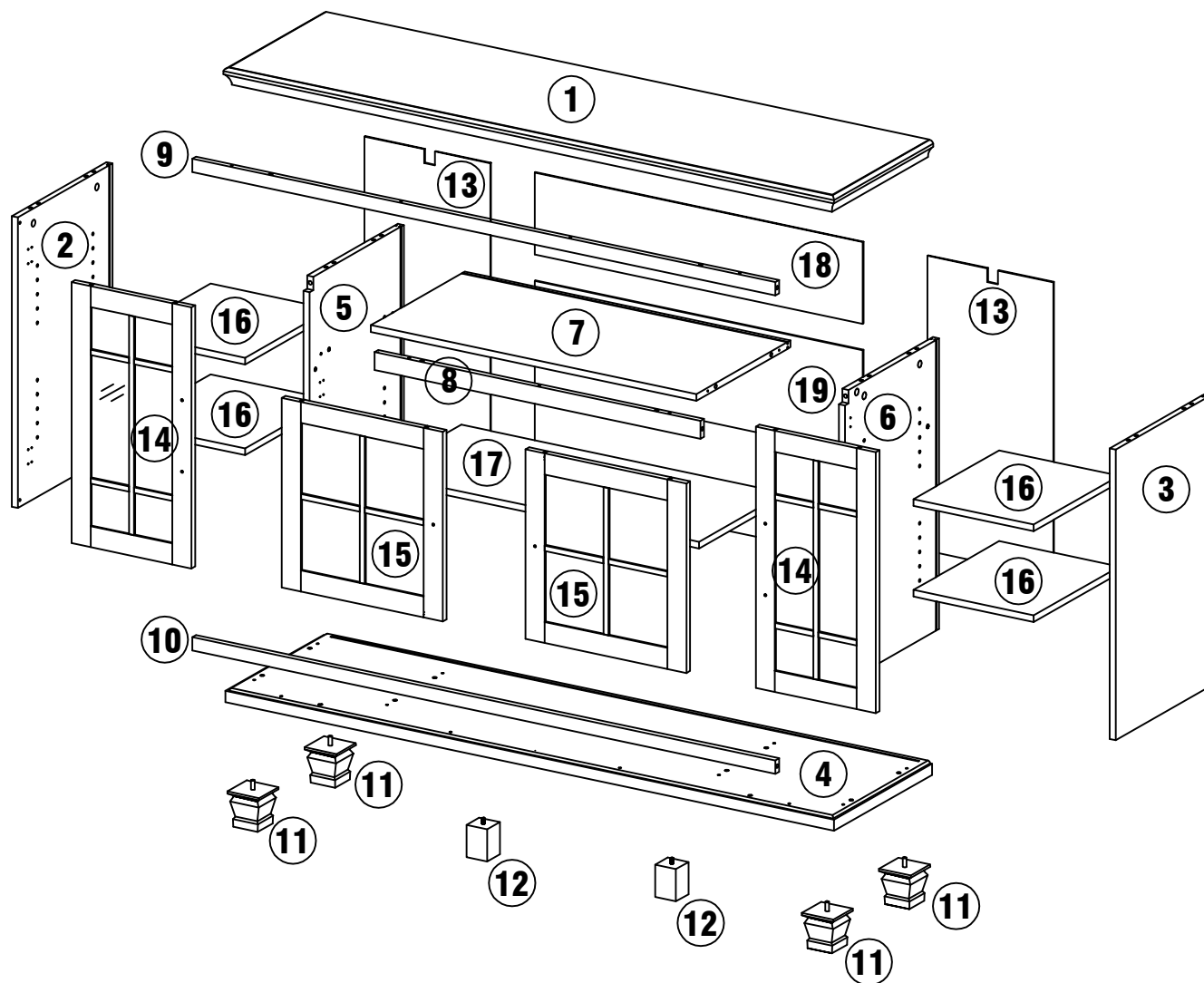
Please make sure that all objects are removed before moving the assembled unit.

The unit must be team lifted, not dragged or pushed. Failure to do so could cause instability, product collapse, and/or serious injury.


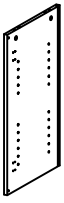


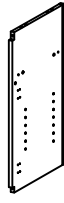
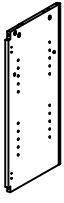


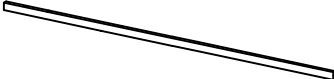
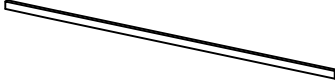

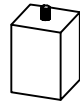
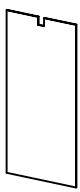

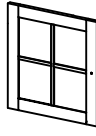
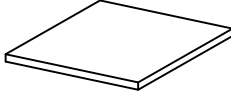
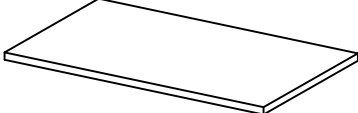
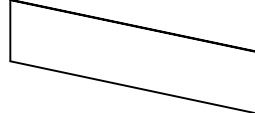
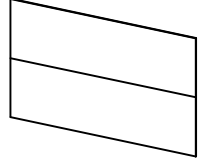
Be careful when using power tools to assemble your furniture.

Power tools may strip or damage the parts.


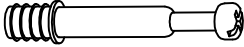
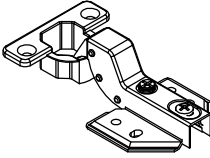
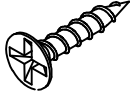
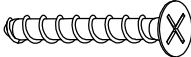
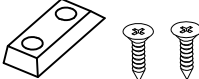

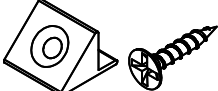

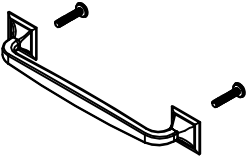
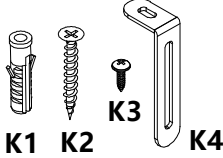
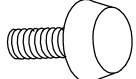
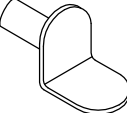
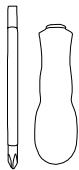
PART LIST

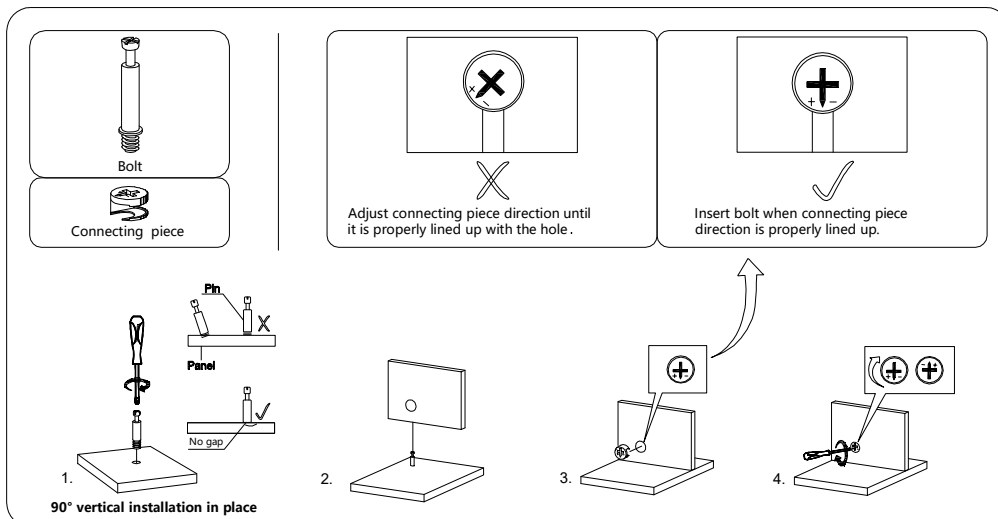


PART LIST

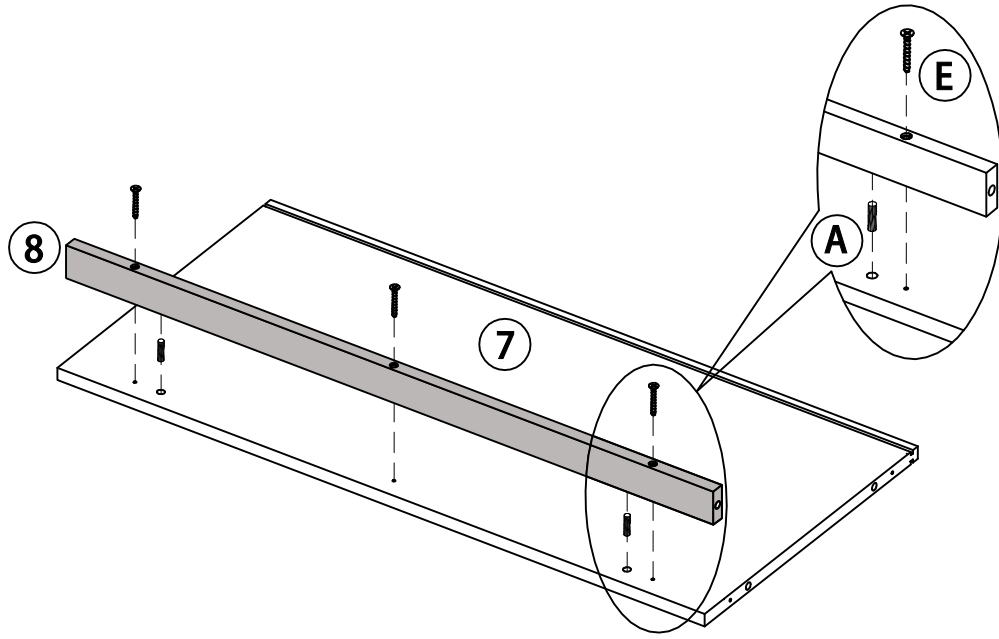
<p>①</p>  <p>1 pc</p>	<p>②</p>  <p>1 pc</p>	<p>③</p>  <p>1 pc</p>
<p>④</p>  <p>1 pc</p>	<p>⑤</p>  <p>1 pc</p>	<p>⑥</p>  <p>1 pc</p>
<p>⑦</p>  <p>1 pc</p>	<p>⑧</p>  <p>1 pc</p>	<p>⑨</p>  <p>1 pc</p>
<p>⑩</p>  <p>1 pc</p>	<p>⑪</p>  <p>4 pcs</p>	<p>⑫</p>  <p>2 pcs</p>
<p>⑬</p>  <p>2 pcs</p>	<p>⑭</p>  <p>2 pcs</p>	<p>⑮</p>  <p>2 pcs</p>
<p>⑯</p>  <p>4 pcs</p>	<p>⑰</p>  <p>1 pc</p>	<p>⑱</p>  <p>1 pc</p>
<p>⑲</p>  <p>1 pc</p>		

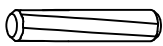
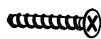
HARDWARE LIST

<p>A X28+1</p>  <p>Ø8X30MM</p>	<p>B X16+1</p> 	<p>C X8</p> 
<p>D X48+2</p>  <p>Ø3.5X14MM</p>	<p>E X23+1</p>  <p>Ø4X50MM</p>	<p>F X4</p> 
<p>G X16+1</p>  <p>Ø15X12MM</p>	<p>H X12</p> 	<p>I X2</p> 
<p>J X2</p> 	<p>K X2</p>  <p>K1 K2 K3 K4</p>	<p>L X2</p> 
<p>M X20+1</p> 		

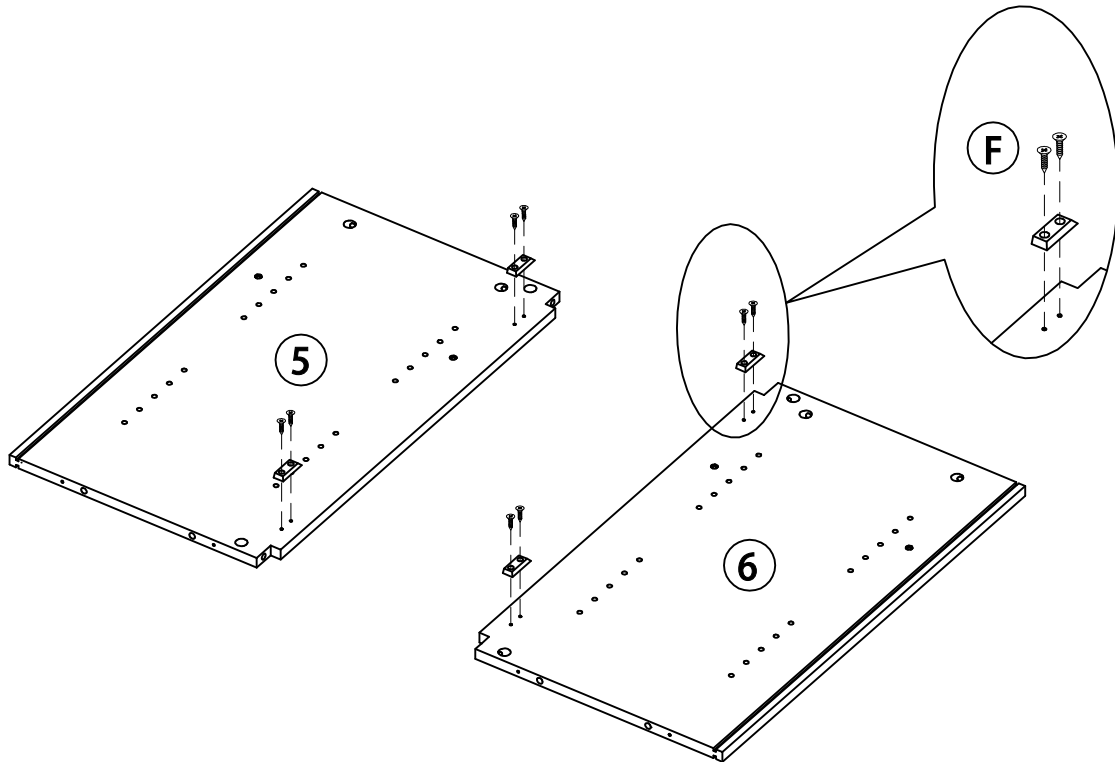


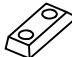


STEP 1



A		X2
E		X3

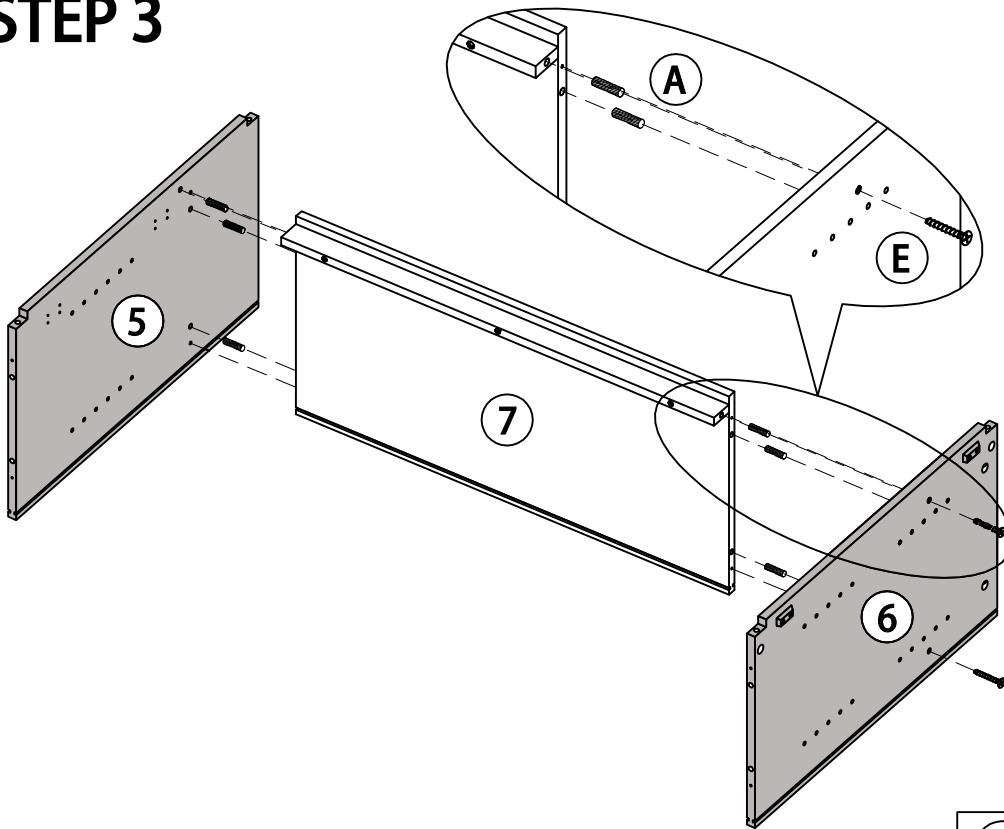
STEP 2

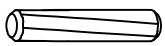
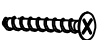


F	  	X4
---	---	----

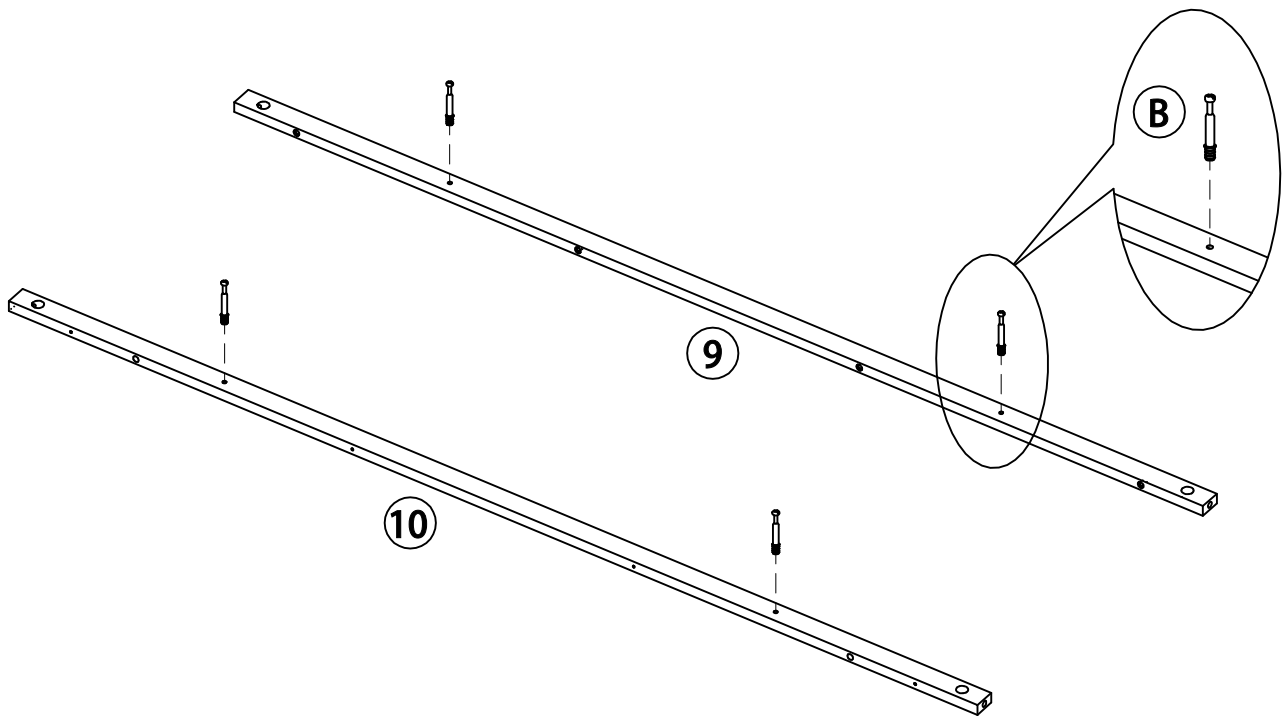
4

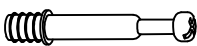
STEP 3



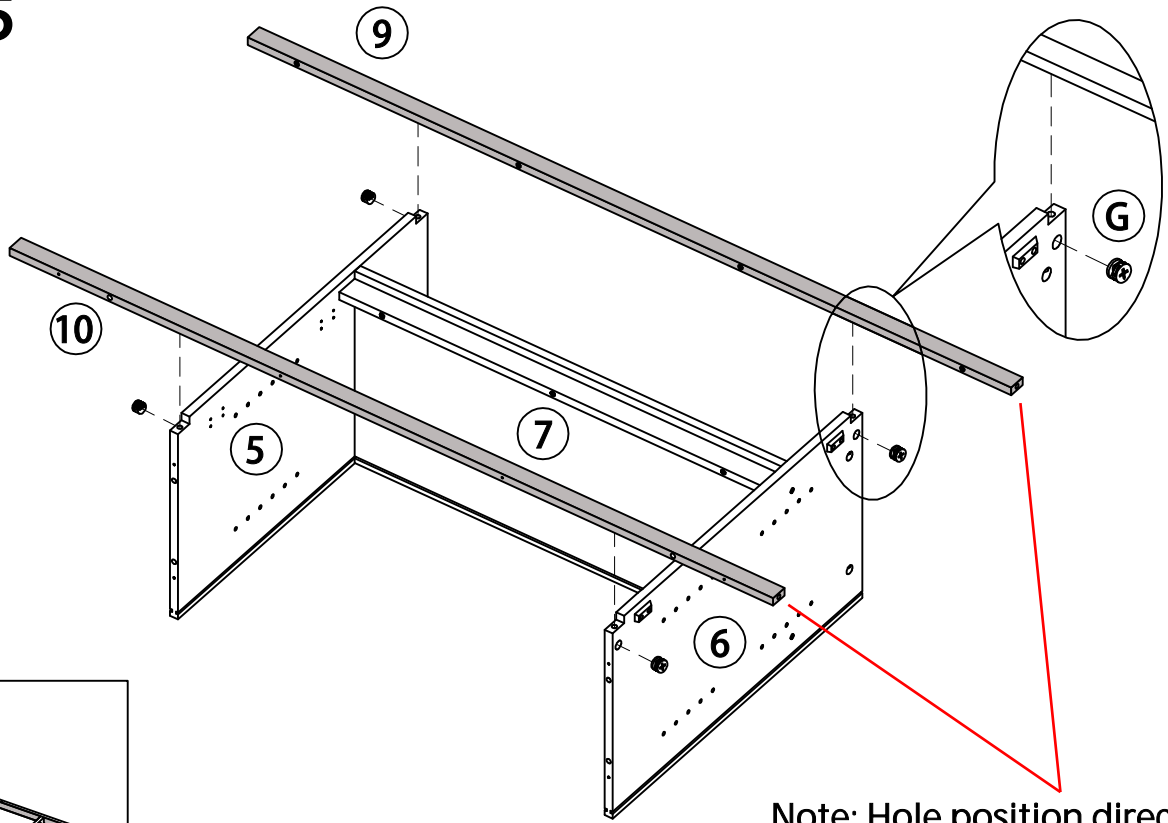
A		X6
E		X4

STEP 4

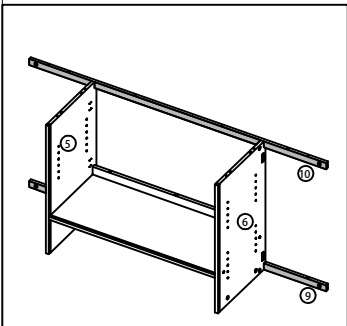


B		X4
----------	---	----

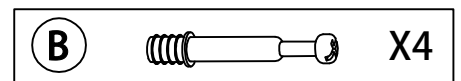
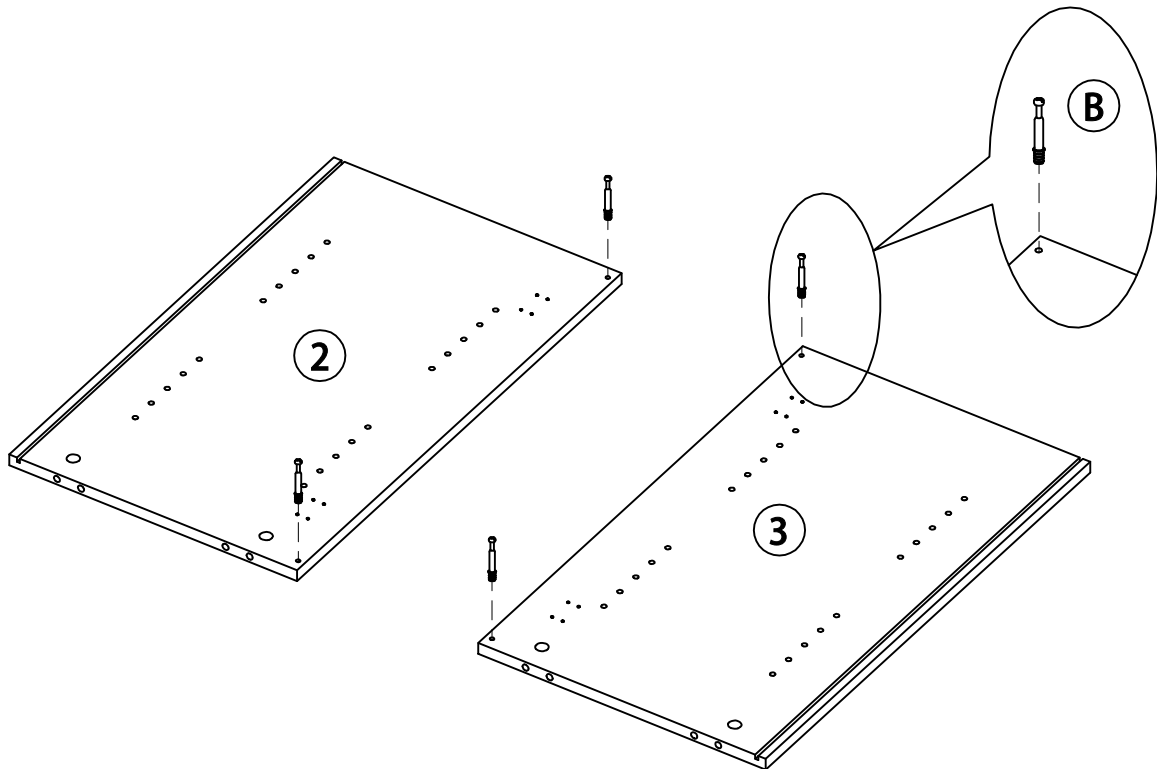
STEP 5



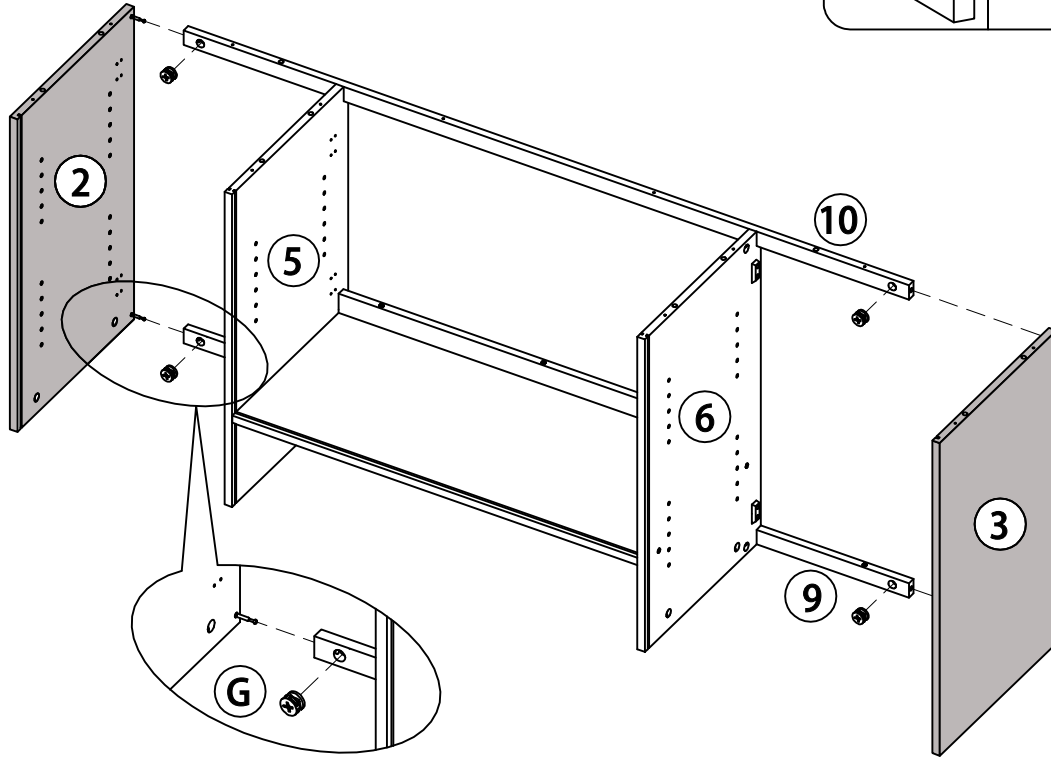
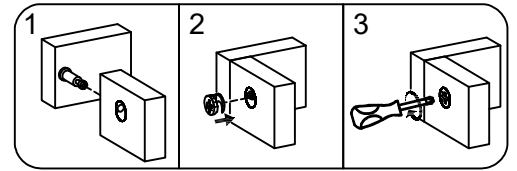
Note: Hole position direction



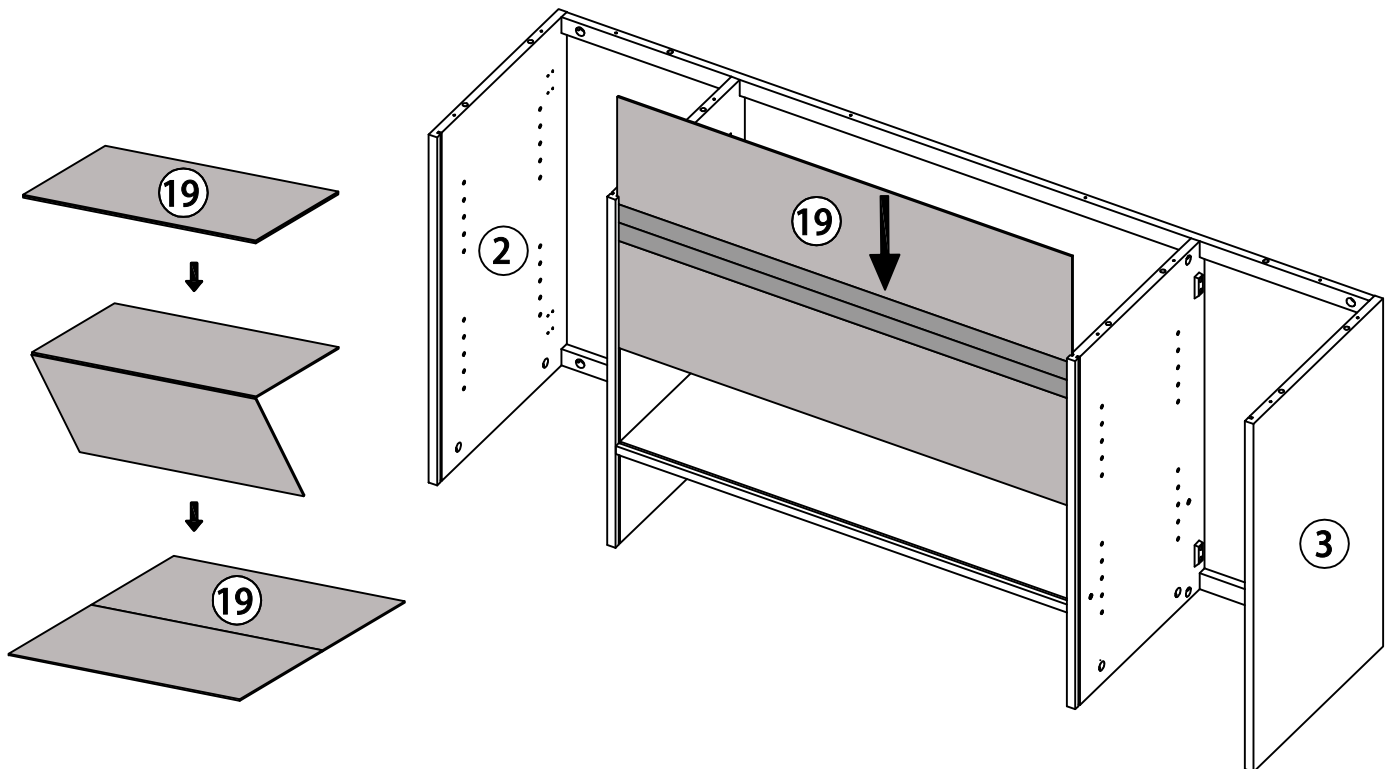
STEP 6



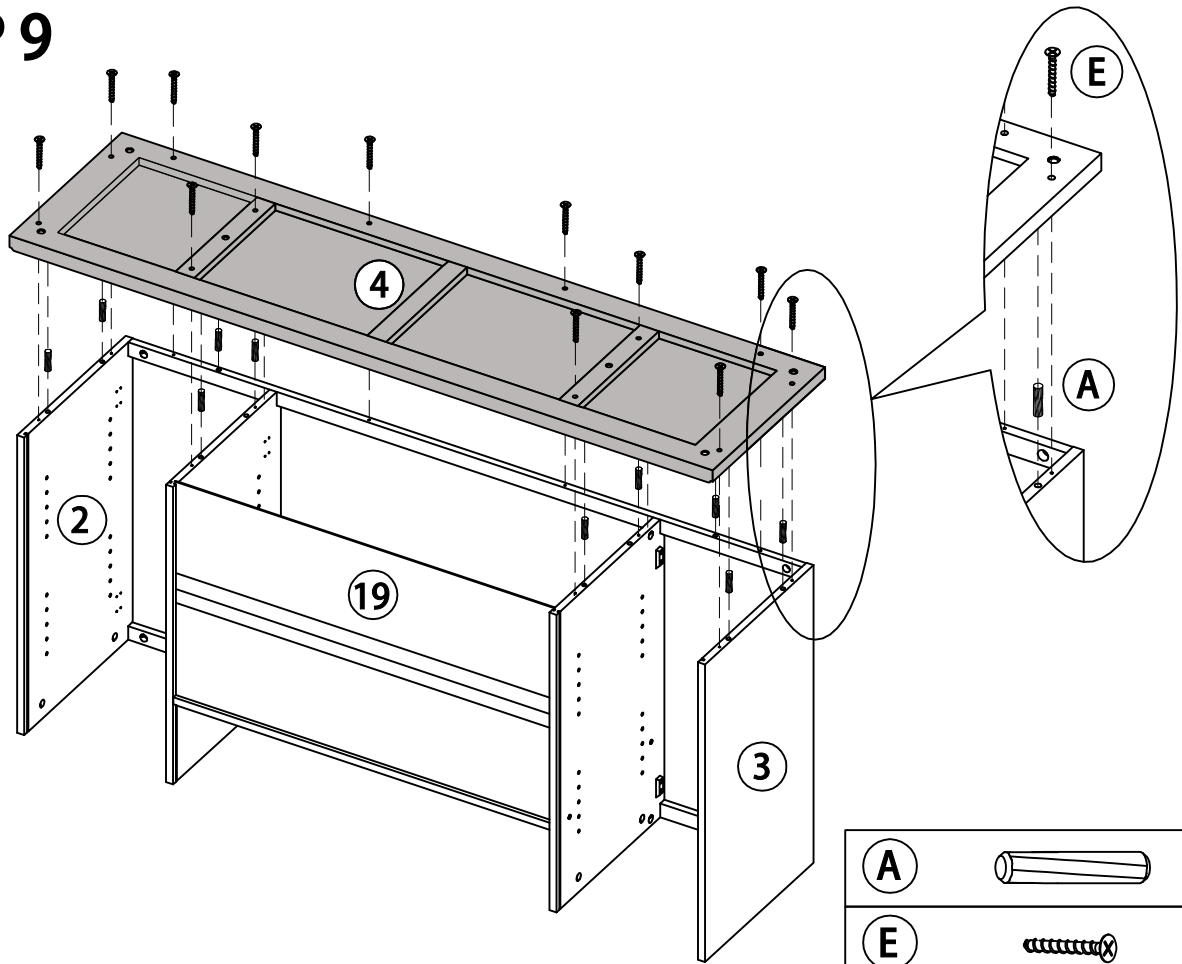
STEP 7

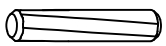
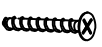


STEP 8




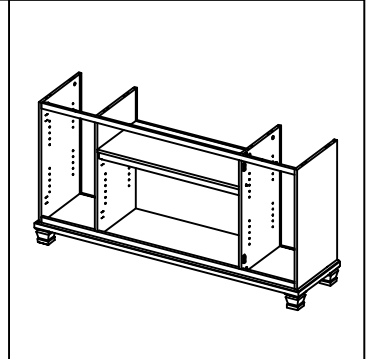
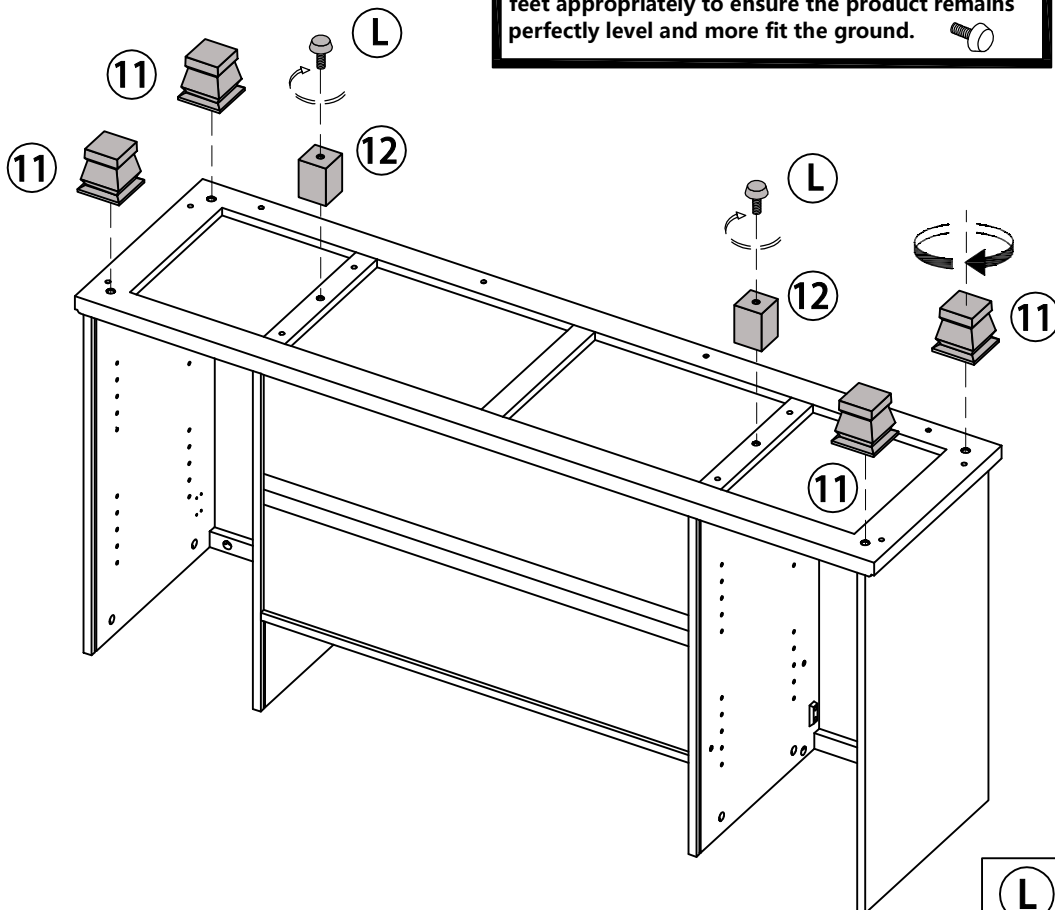
STEP 9




A		X10
E		X12

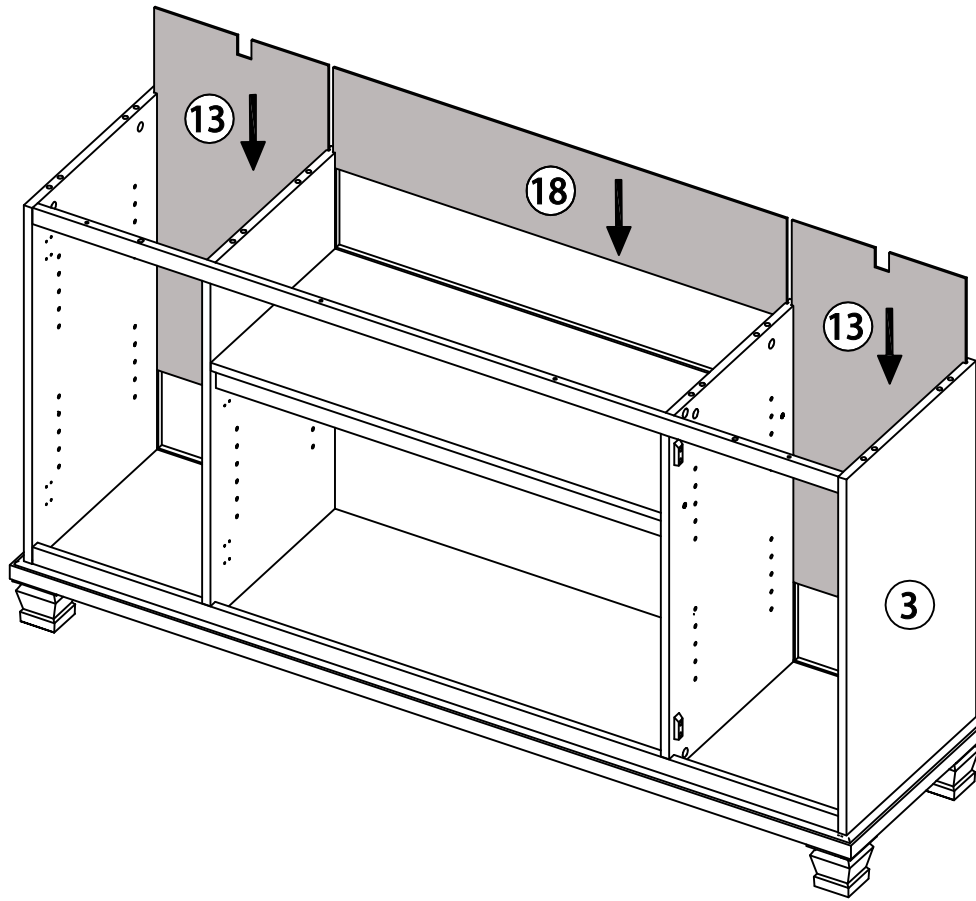
STEP 10

Adjust the height of the screw teeth on the middle feet appropriately to ensure the product remains perfectly level and more fit the ground. 

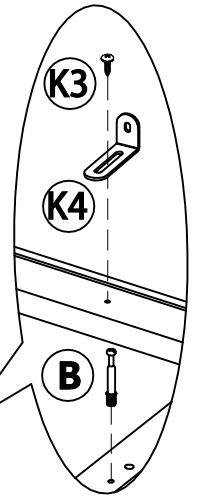
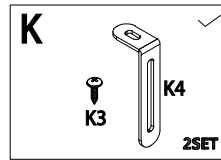
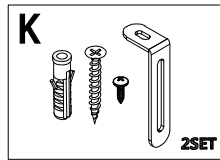
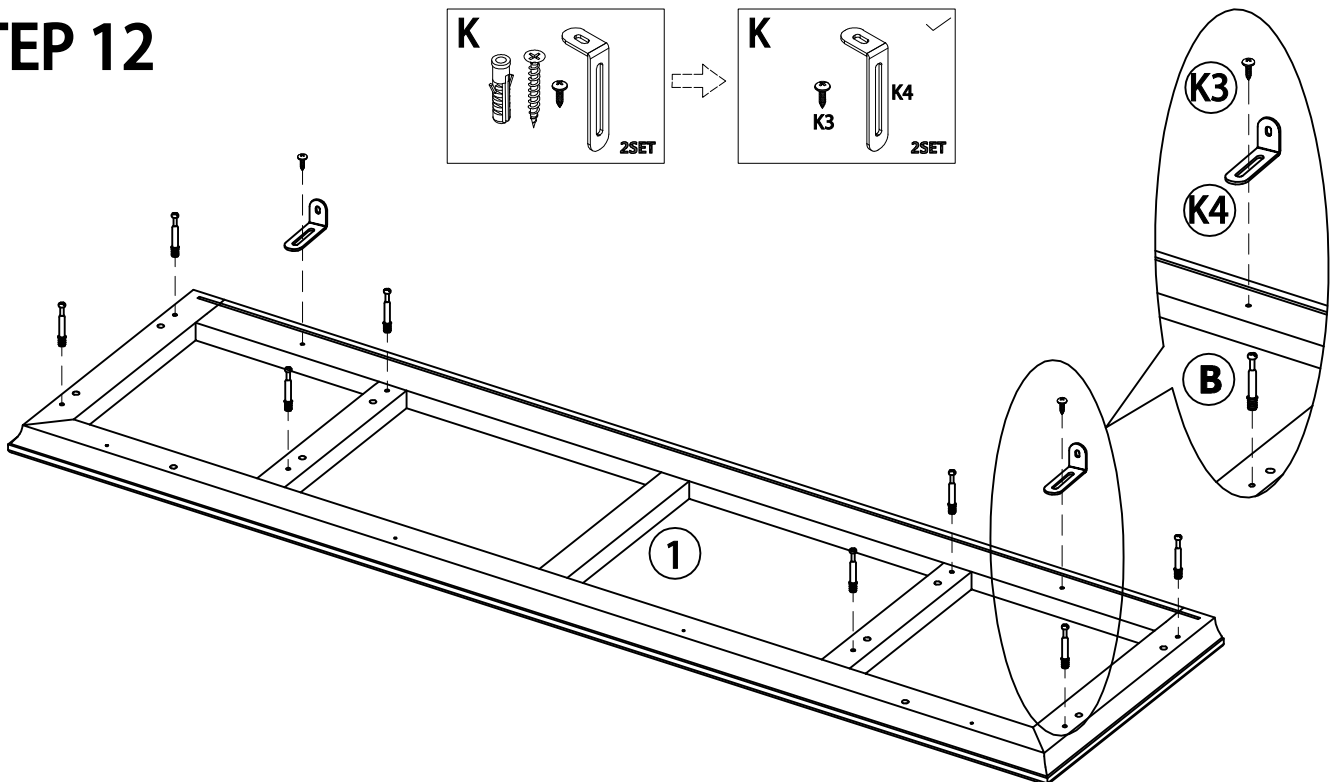


L		X2
----------	---	-----------

STEP 11



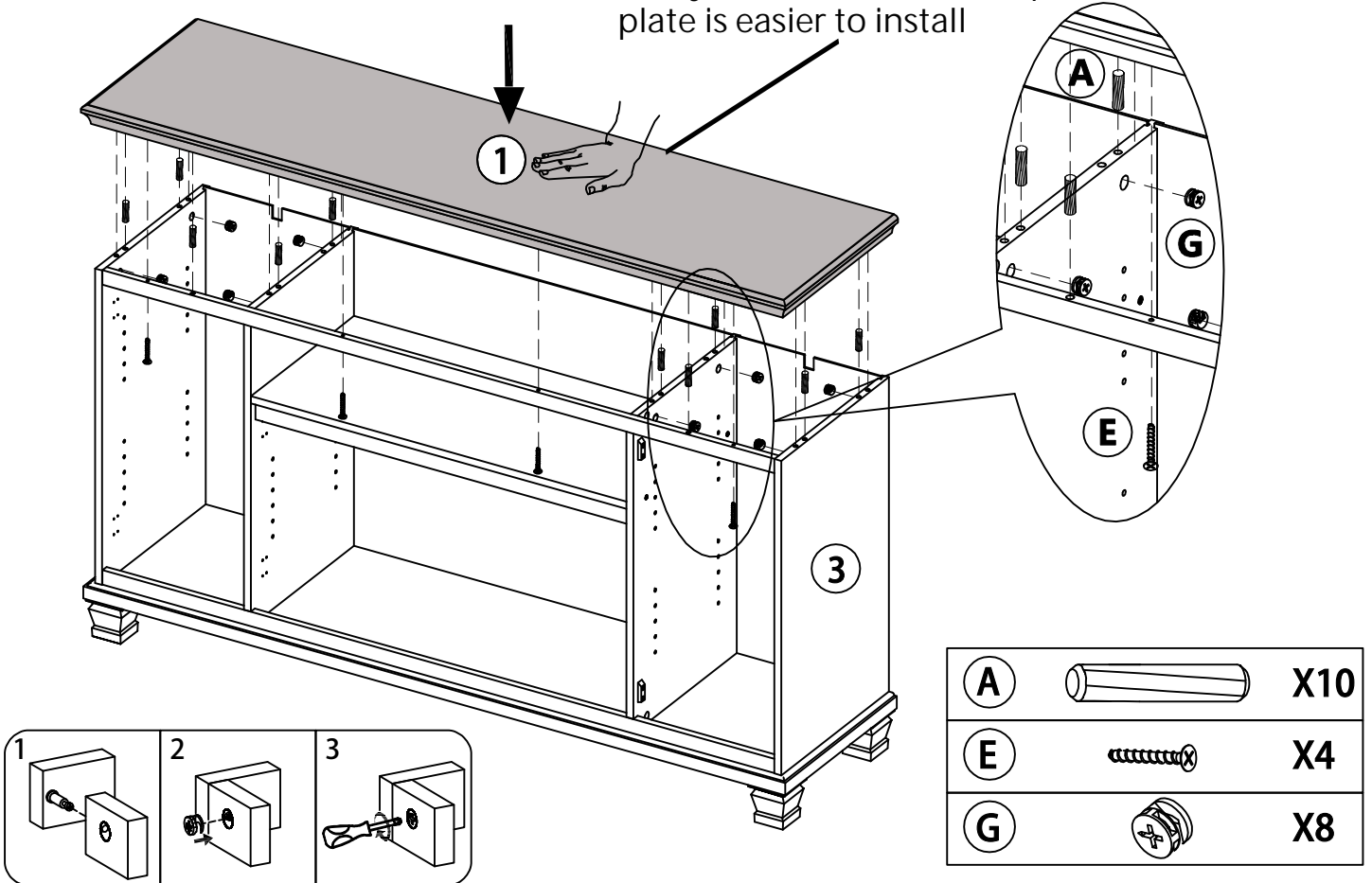
STEP 12



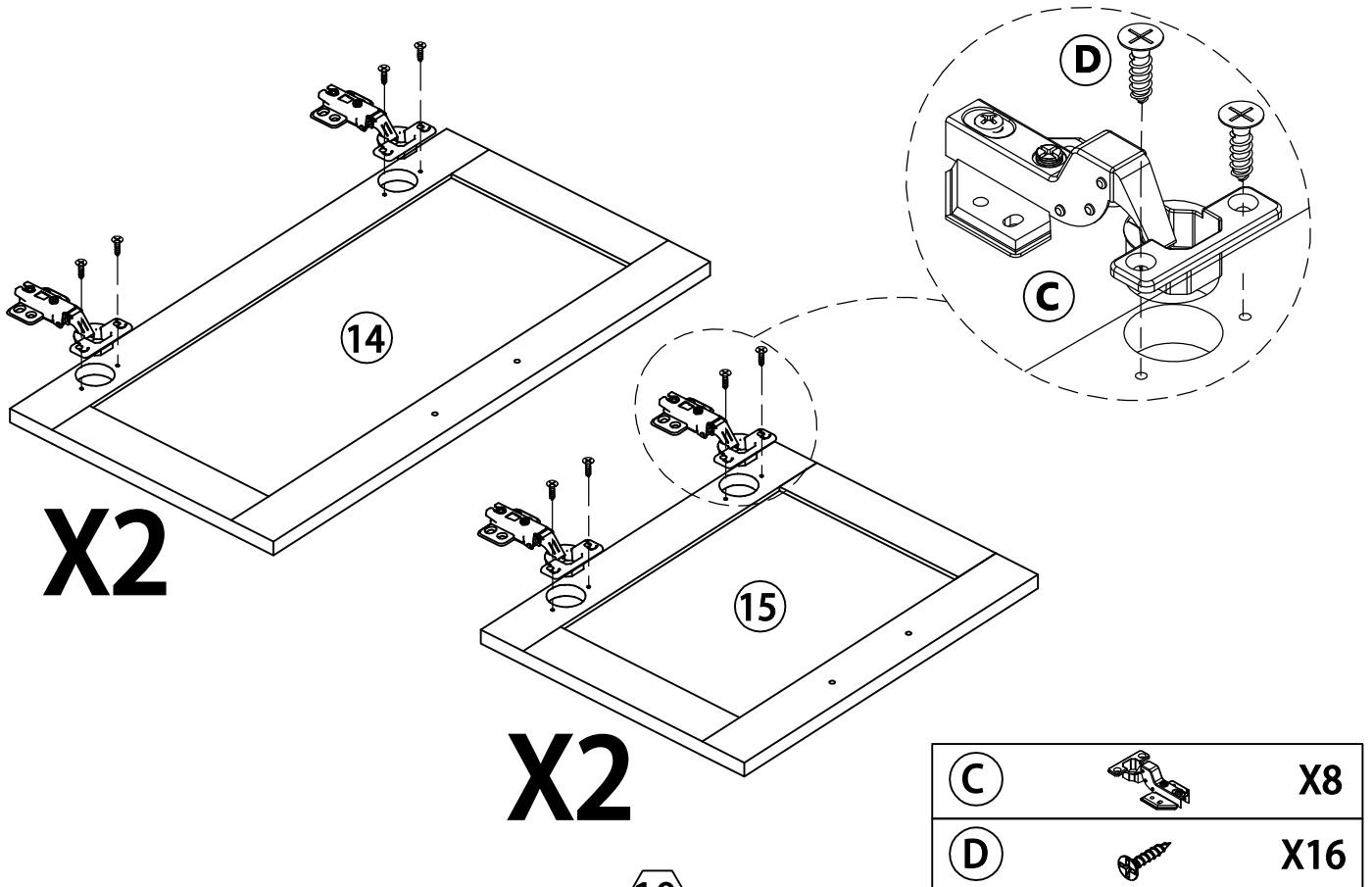
B		X8
K	K1 K2 K3 K4	X2

STEP 13

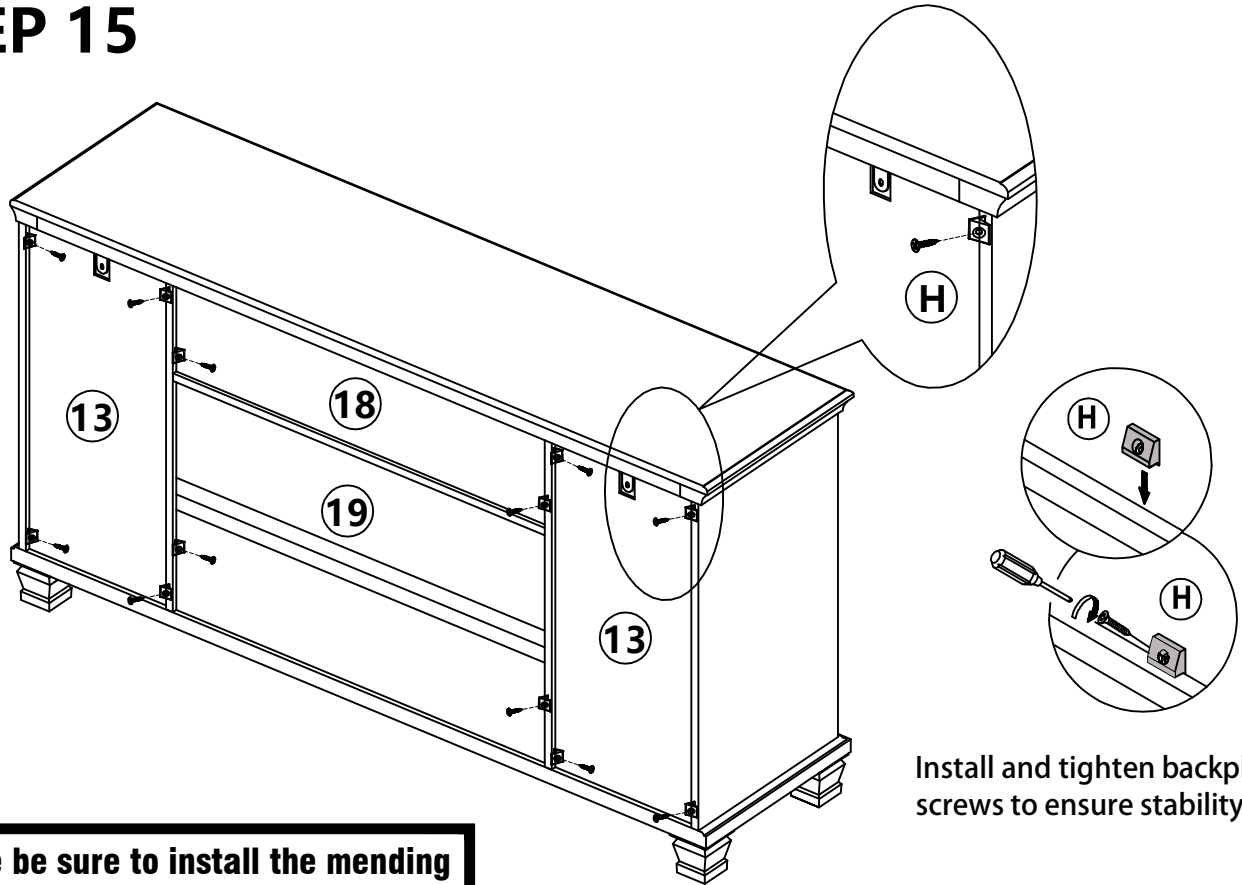
Press down with your palm firmly to ensure that the top plate is easier to install



STEP 14




STEP 15

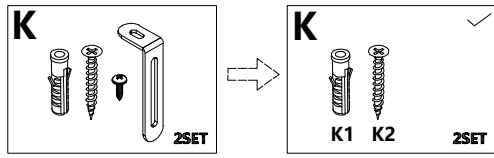


Install and tighten backplate screws to ensure stability

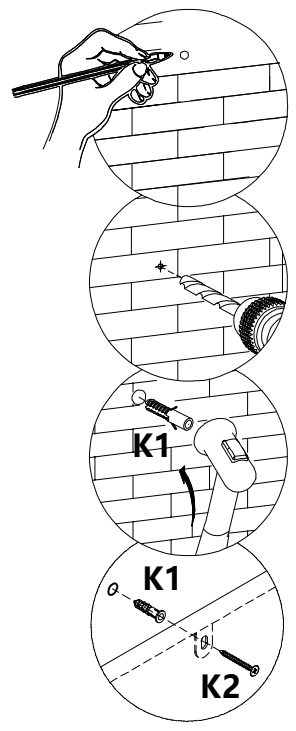
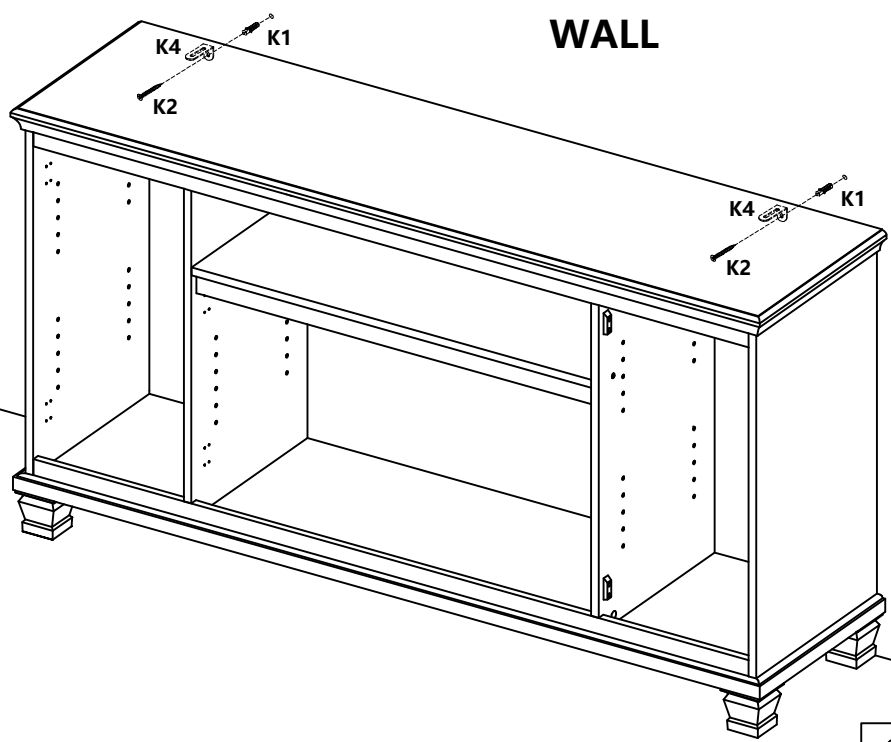
Please be sure to install the mending wedges to prevent the product from becoming unstable or wobbling.

H  **X12**

STEP 16

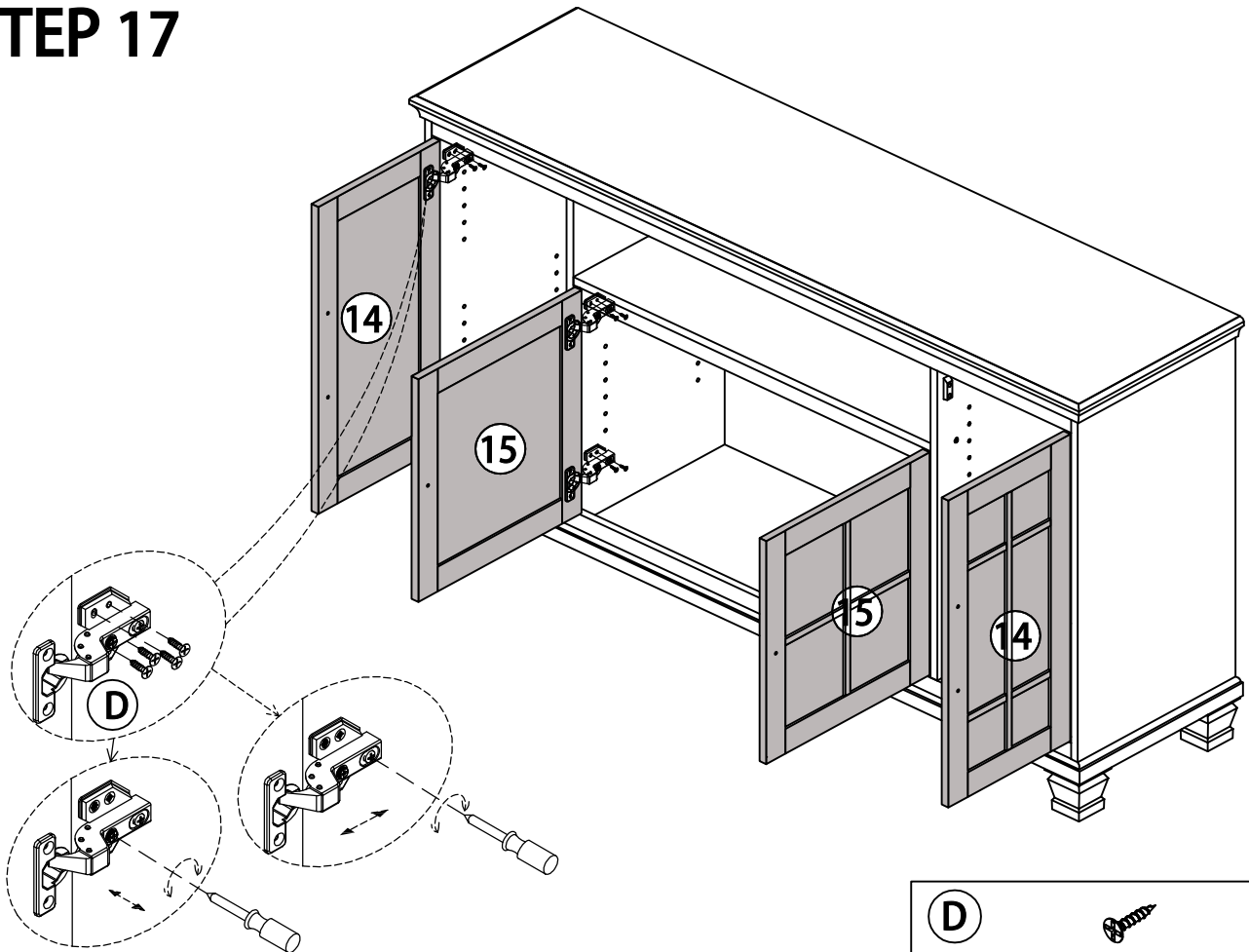


Drill a hole in the wall, then hammer the K1 into the wall with a hammer

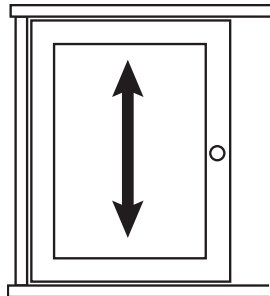


K **K1** **K2** **K3** **K4** **X2**

STEP 17



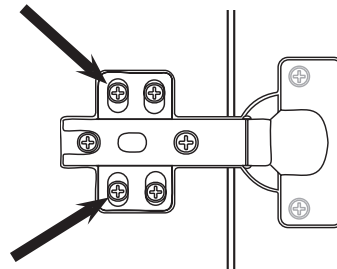
FRONT VIEW | VUE DE FACE | VISTA FRONTAL



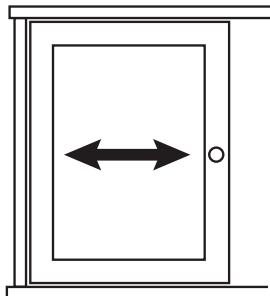
UP AND DOWN
Use screws to adjust the gaps at the top and bottom of door.

HAUT ET BAS
Utilisez des vis pour ajuster les espaces en haut et en bas de la porte.

ARRIBA Y ABAJO
Use tornillos para ajustar los espacios en la parte superior e inferior de la puerta.



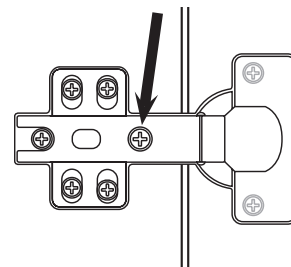
FRONT VIEW | VUE DE FACE | VISTA FRONTAL



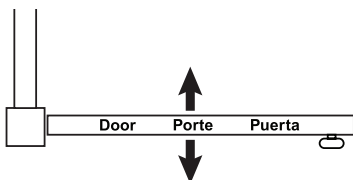
LEFT AND RIGHT
Use screw to adjust the gaps at left and right of the door.

GAUCHE ET DROITE
Utilisez la vis pour ajuster les écarts à gauche et à droite de la porte.

IZQUIERDA Y DERECHA
Use un tornillo para ajustar los espacios a la izquierda y a la derecha de la puerta.



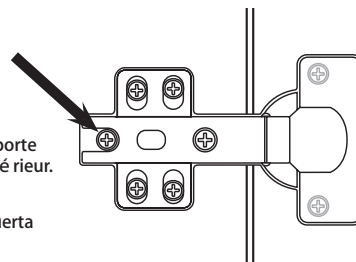
TOP VIEW | VUE DE HAUT | VISTA SUPERIOR



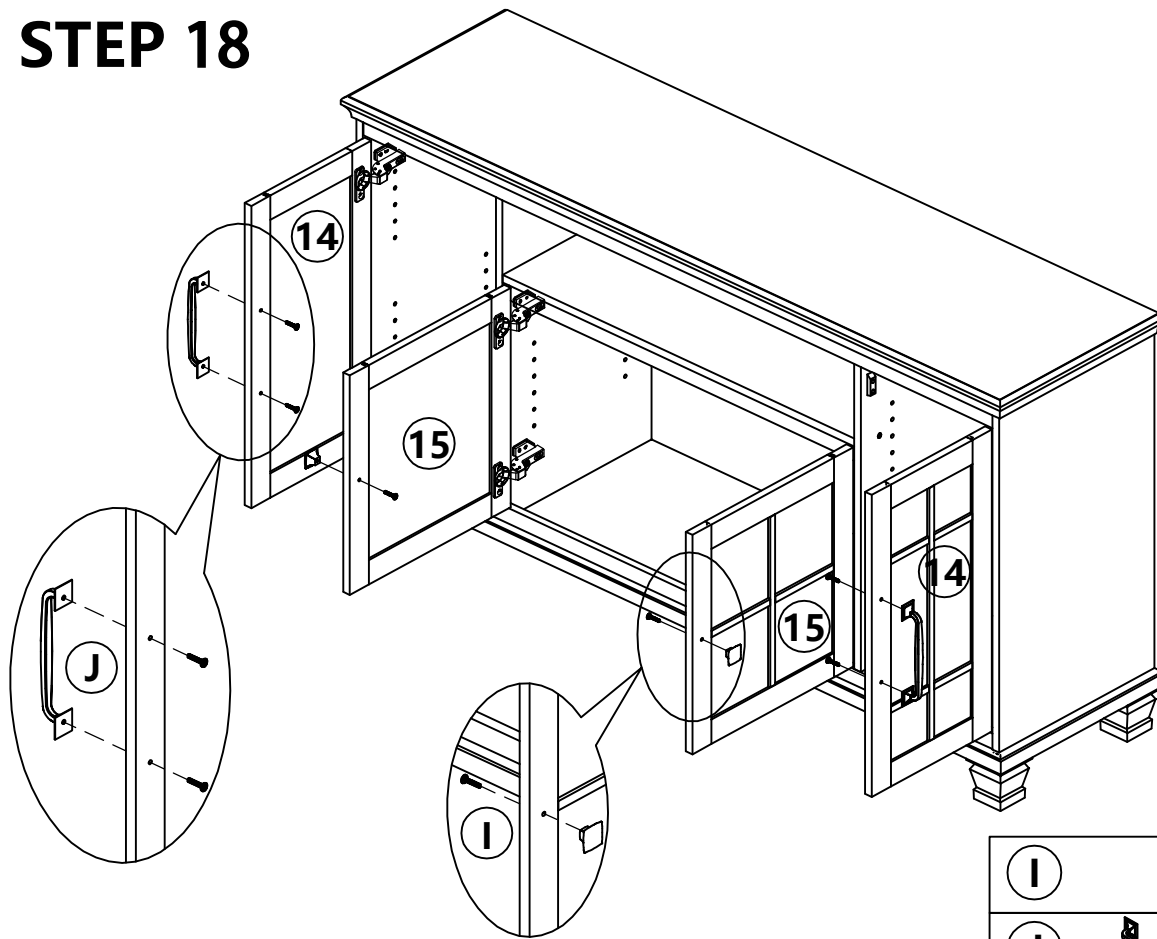
IN AND OUT
Use screw to move the door in or out.

DEDANS ET DEHORS
Utilisez la vis pour d'é placer la porte vers l'intérieur ou vers l'extérieur.

DENTRO Y FUERA
Use un tornillo para mover la puerta hacia adentro o hacia afuera.

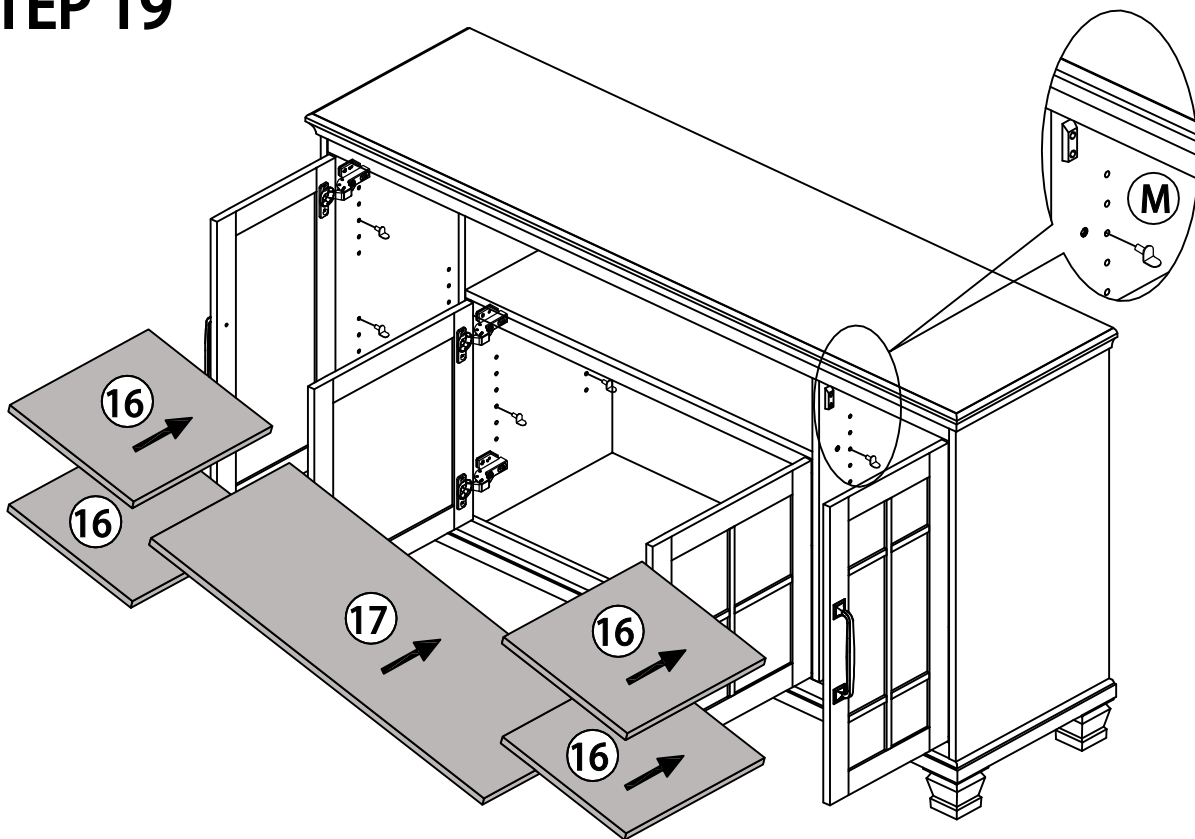


STEP 18



I		X2
J		X2

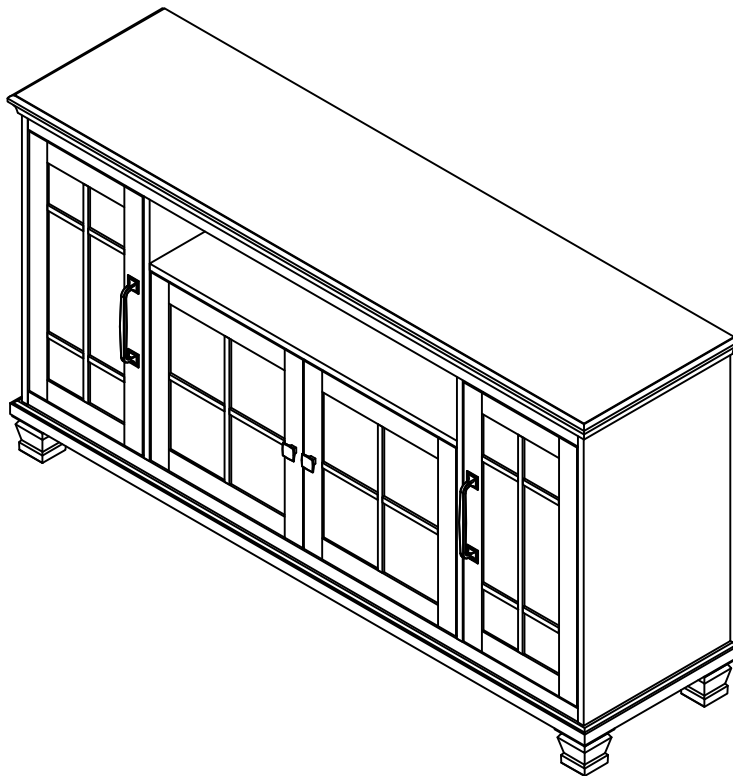
STEP 19



13

M		X20
---	--	-----

STEP 20



▲ WARNING	
	Children have died from furniture tipover. To reduce the risk of furniture tipover: <ul style="list-style-type: none">• ALWAYS install anti-tip device provided.• NEVER put a TV on this product.• NEVER allow children to stand, climb or hang on any drawers, doors, or shelves.• NEVER open more than one drawer at a time.• Place heaviest items in the lowest drawers. <p style="text-align: center;"><i>this is a permanent label. Do not remove!</i></p>

1Instructions for use:
The cabinet legs should be designed to avoid lateral stress. When moving, please lift vertically off the ground. Dragging may cause loose connectors, affecting stability and service life