

ASSEMBLY INSTRUCTIONS



Fine Furniture for every stage of life

Daybed

ASSEMBLY INSTRUCTIONS

ASSEMBLY TIPS:

1. Remove hardware from box and sort by size.
2. Please check to see that all hardware and parts are present prior to start of assembly.
3. Please follow attached instructions in the same sequence as numbered to assure fast & easy assembly.



WARNING!

1. Don't attempt to repair or modify parts that are broken or defective. Please contact the store immediately.
2. This product is for home use only and not intended for commercial establishments.



ASSEMBLY TIME

35 MINUTES

PARTS IDENTIFICATION

B1 (BOX 1)

A BACK PANEL		1PC	C ROLL SLAT (6PCS)		2SETS
B FRONT PANEL		1PC	H CASTER WITH SCREW		4SETS

B2 (BOX 2)

D LEFT SIDE PANEL		1PC	E RIGHT SIDE PANEL		1PC
-------------------	--	-----	--------------------	--	-----

B3 (BOX 3)

F TRUNDLE FRONT PANEL		1PC	I TRUNDLE BED RAIL		2PCS
G TRUNDLE BACK PANEL		1PC	J TRUNDLE ROLL SLAT (5PCS)		2SETS

NOTE:

Phillips head screw driver is required in the assembly process; however, manufacturer does not provided this item.

ASSEMBLY INSTRUCTIONS

ASSEMBLY TIPS:

1. Remove hardware from box and sort by size.
2. Please check to see that all hardware and parts are present prior to start of assembly.
3. Please follow attached instructions in the same sequence as numbered to assure fast & easy assembly.



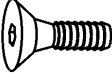












WARNING!

1. Don't attempt to repair or modify parts that are broken or defective. Please contact the store immediately.
2. This product is for home use only and not intended for commercial establishments.

HARDWARE IDENTIFICATION

(BOX 1) - HARDWARE PACK IS LOCATED IN (B1)

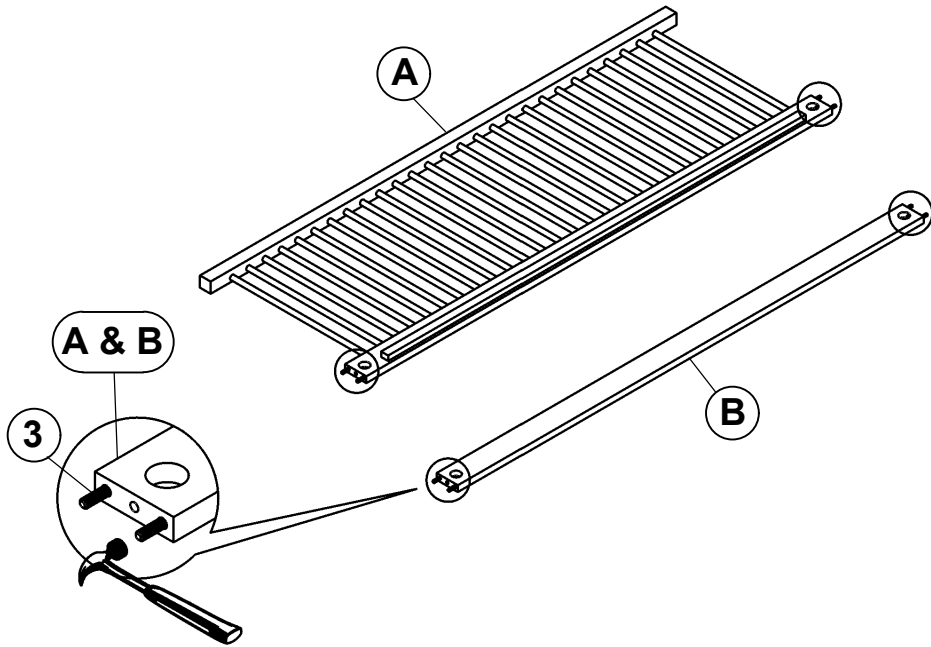
1	LONG BOLT (M6 x 50mm - BLK)		4PCS	8	FLAT HEAD SCREW (M4 x 25mm - BLK)		16PCS
2	SHORT BOLT (M6 x 25mm - BLK)		4PCS	9	ALLEN WRENCH (M4 x 100mm - BLK)		1PC
3	WOOD DOWEL (M8Ø x 40mm)		8PCS	10	FLAT WASHER (1/4" x 19 Ø - BLK)		4PCS
4	THREADED BOLT (M6 x 60mm - RBW)		4PCS	11	LOCK WASHER (1/4" x 12 Ø -BLK)		4PCS
5	HEX NUT (M6 - RBW)		4PCS	12	WRENCH (M6 x 10mm - RBW)		1PC
6	HALF ROUND NUT (Ø7.5mm - RBW)		4PCS	13	PLATE (9mm x 24mm - BLK)		2PCS
7	U-SQUARE WASHER (M8 x16 x 25mm - RBW)		4PCS				

NOTE:

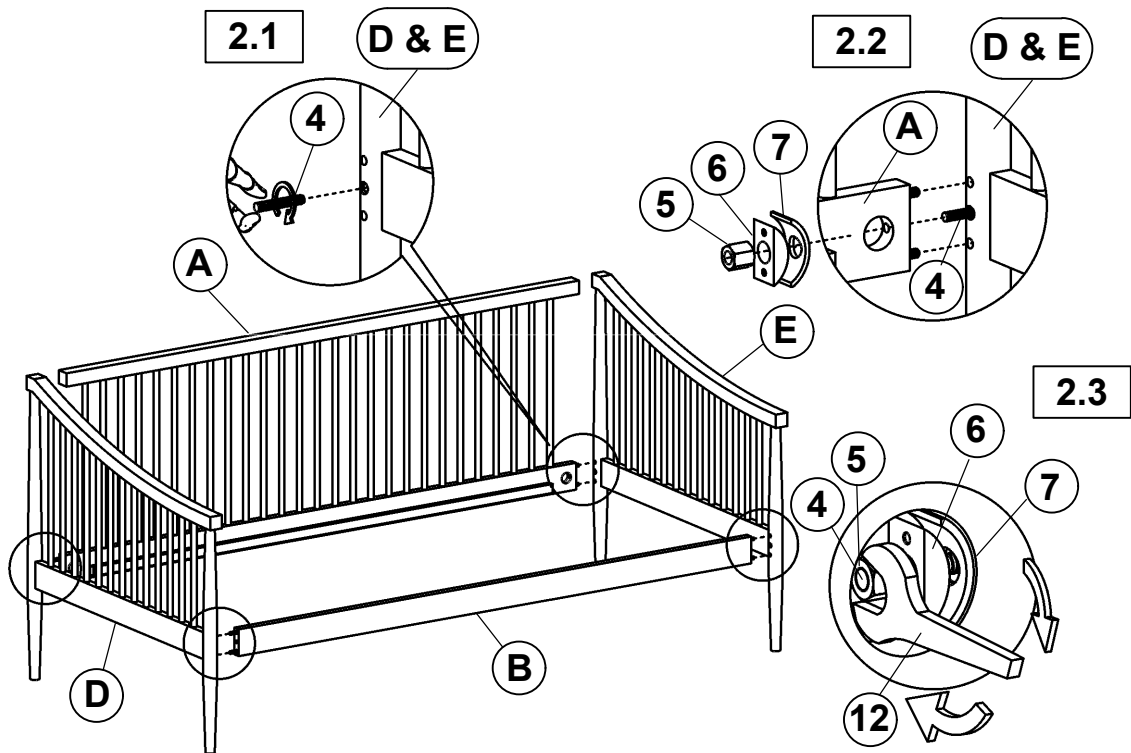
Phillips head screw driver is required in the assembly process; however, manufacturer does not provided this item.

ASSEMBLY INSTRUCTIONS

STEP 1

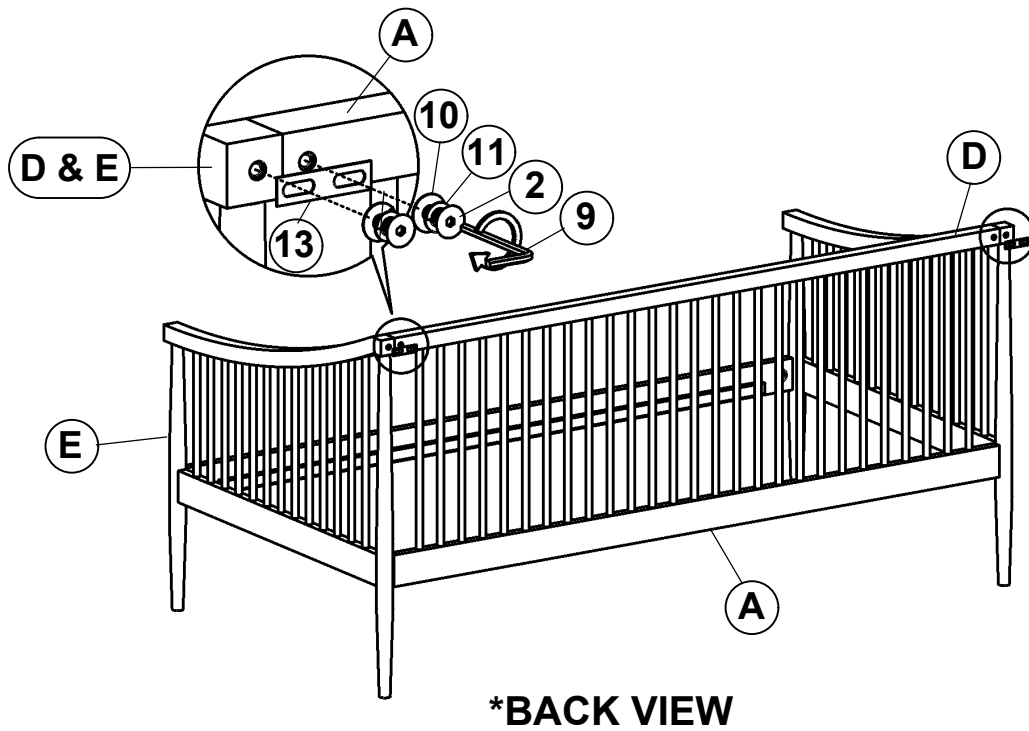


STEP 2

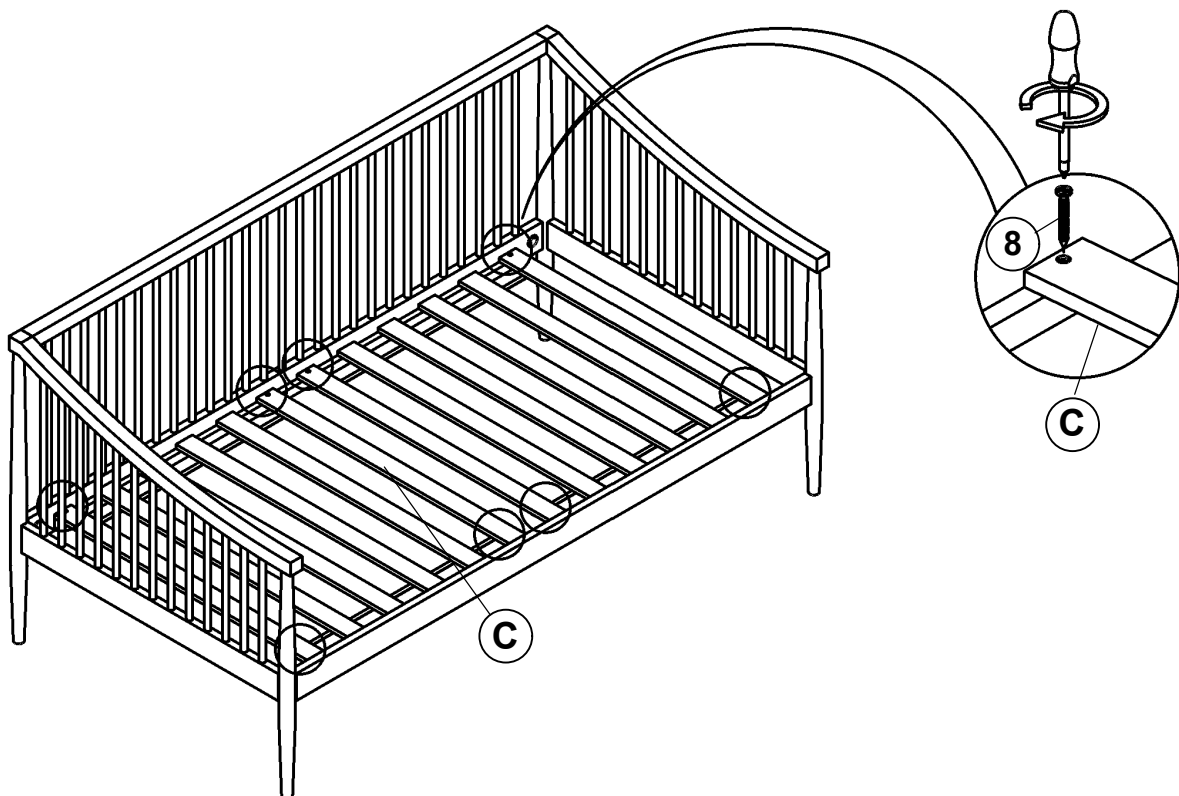


ASSEMBLY INSTRUCTIONS

STEP 3

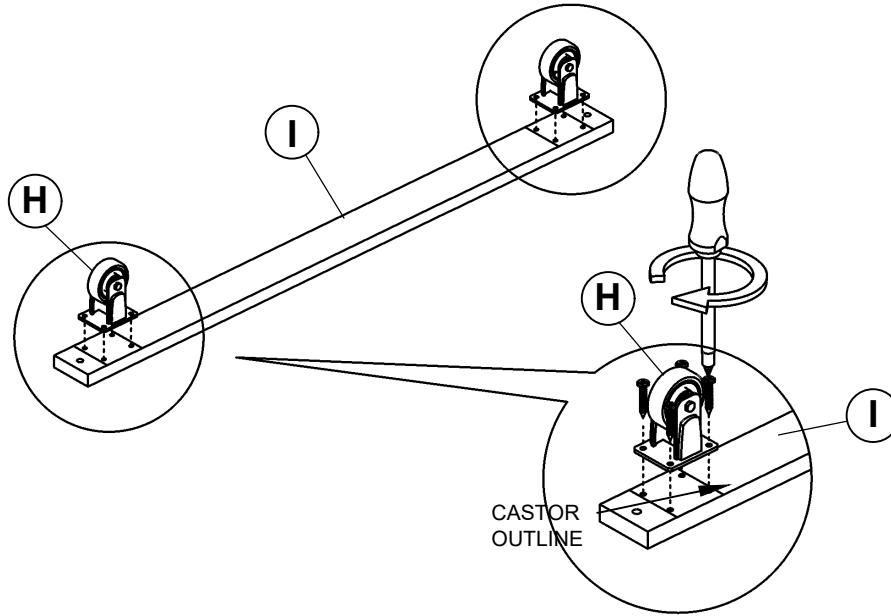


STEP 4

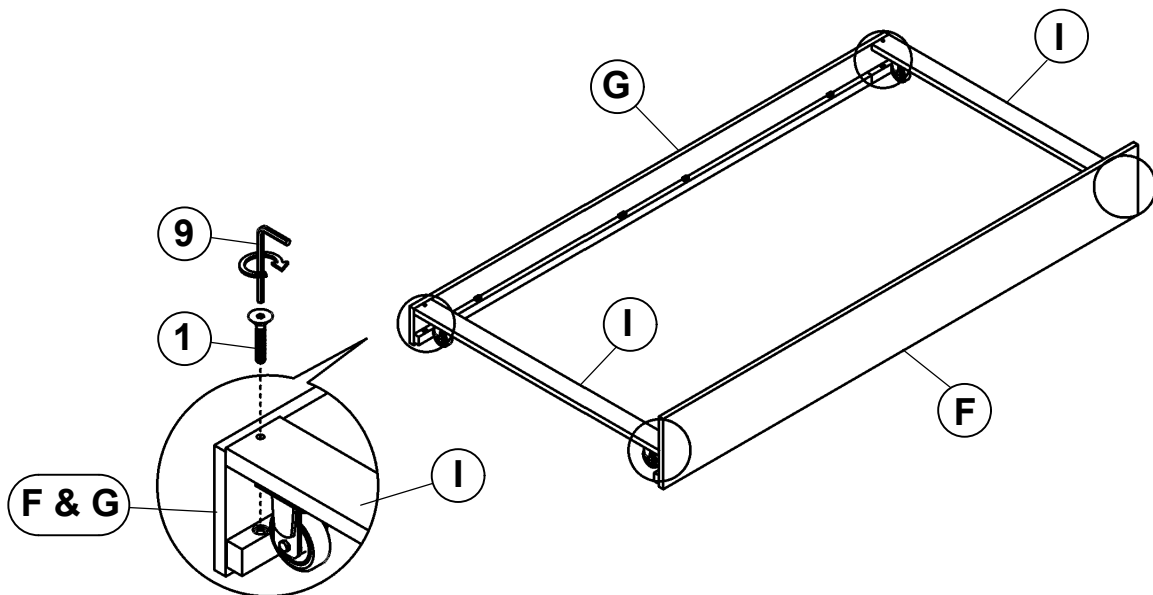


ASSEMBLY INSTRUCTIONS

STEP 5

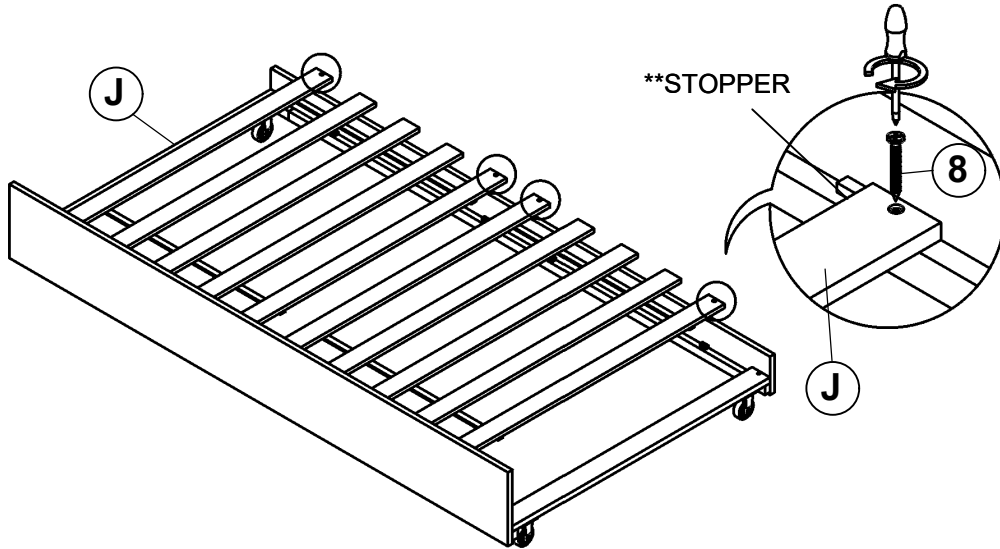


STEP 6

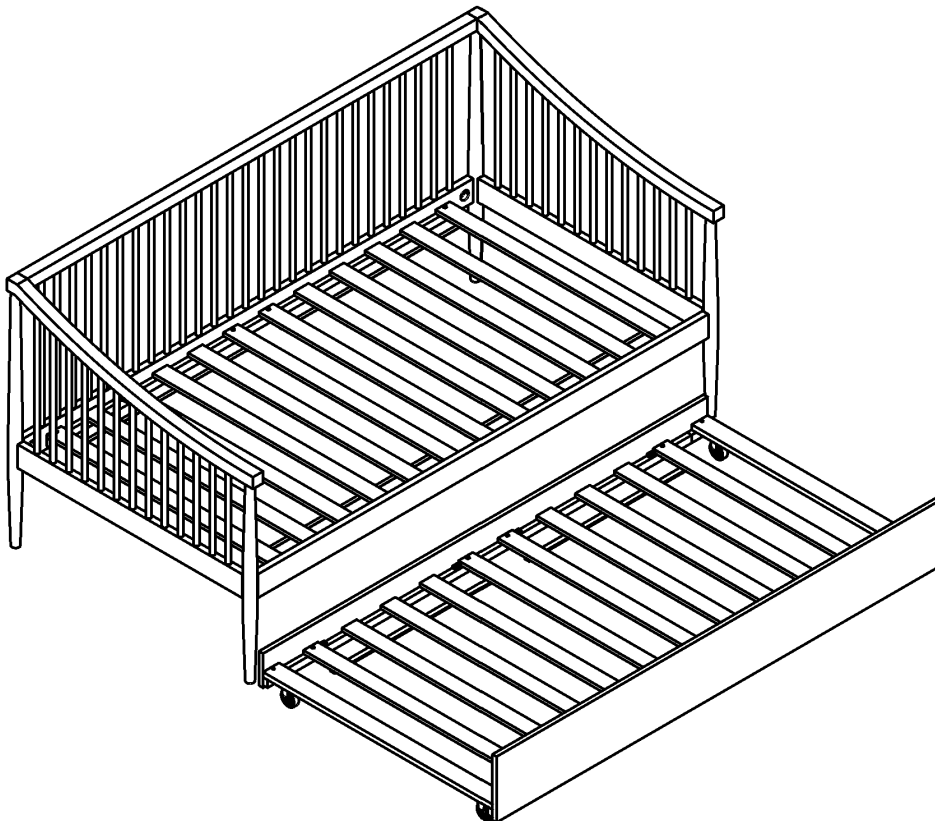


ASSEMBLY INSTRUCTIONS

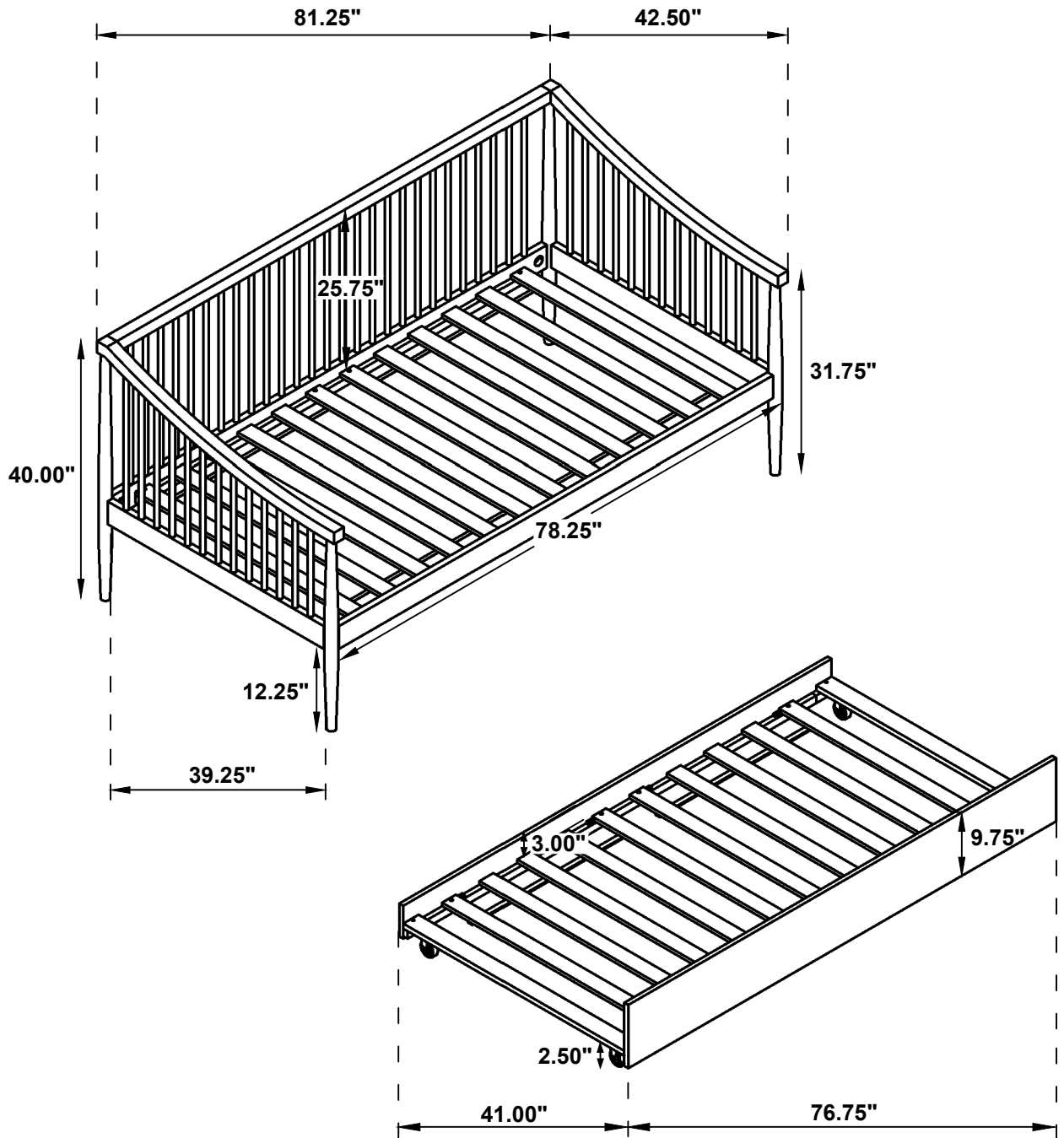
STEP 7



STEP 8 COMPLETE



Upper Inner size: 39.50"W X 77.50"D
Trundle Inner size: 39.50"W X 76.75"D



Note : Dimension tolerance $\pm 5\%$