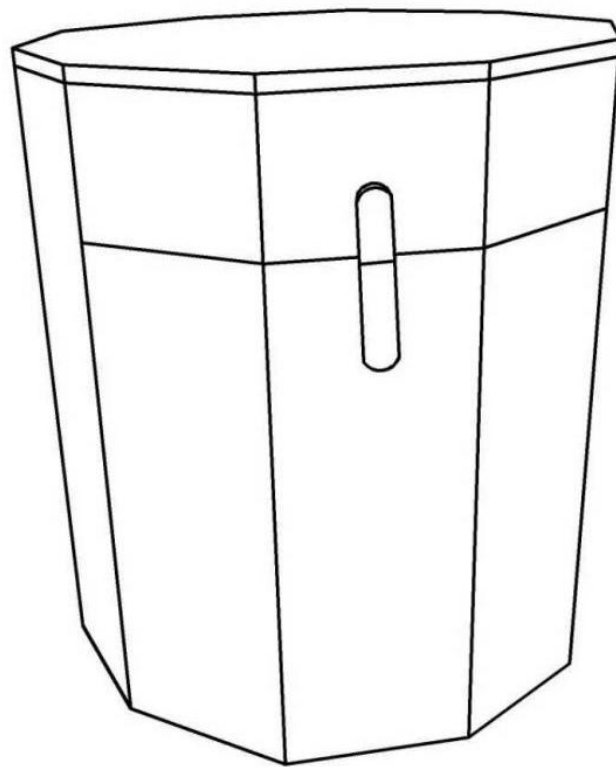


ASSEMBLY INSTRUCTIONS








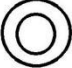




IMPORTANT NOTES

- Read all assembly instructions carefully and thoroughly before beginning assembly or use.
- Retain this manual for future reference.
- Before starting assembly, verify that all parts and hardware listed in the Parts List are present.
- If any items are missing, please check inside the packaging for small boxes, pouches, or loose parts that may not have been opened.
- To protect your furniture, place all parts on a clean, flat, and smooth surface during assembly.
- Keep all packaging materials until assembly is fully completed.
- When moving the assembled product, lift it carefully—do not drag it—to avoid structural damage.
- Do not use this product if any parts are missing, damaged, or worn.
- This product is intended for use only on firm, level flooring.
- Periodically check and re-tighten all fittings as necessary to maintain stability.
- Do not use the product until all bolts and screws are firmly tightened and secured.

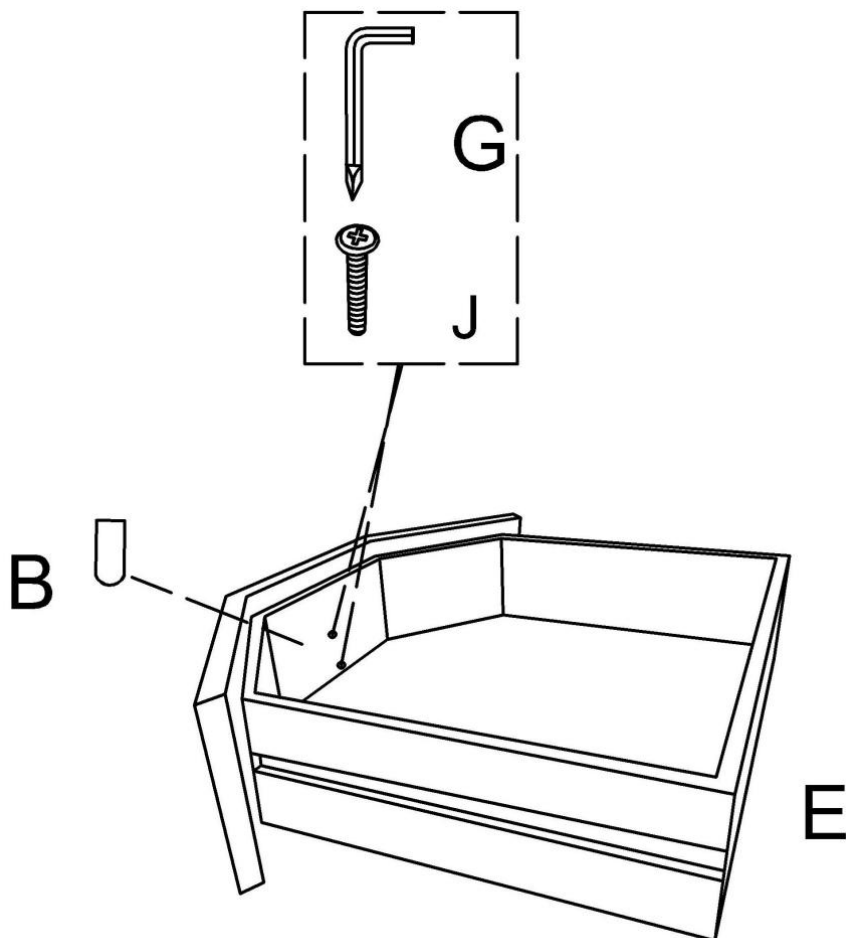
CAUTION

- Keep all small fittings and hardware out of reach of children, and ensure children stay away from the assembly area at all times.
- Do not use power tools to assemble your furniture. Power tools may strip or damage the parts.

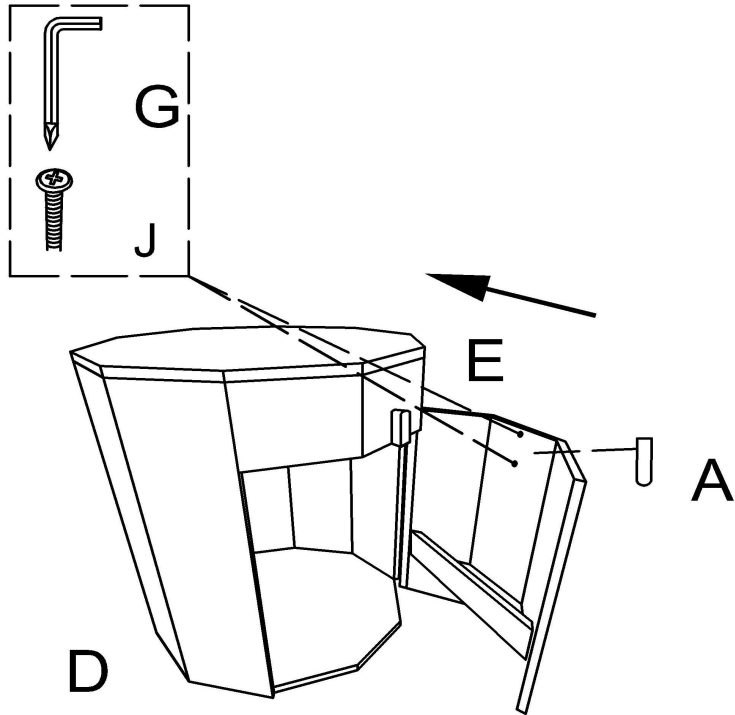
PART LIST

				
A x1	B x1	C x1	D x1	E x1
			 8*35mm	 4*25mm
F x4	G x1	H x1	I x4	J x4

STEP 1



STEP 2



STEP 3

