

VESA Adapter Designed for Compatible Sceptre Monitors

MOUNT-SRC275

Assembly Manual



WARNING



If you do not understand these directions, or if you have any doubts about the safety of the installation, please contact our product support team at 309-278-5303 or help@vivo-us.com for further assistance. Check carefully to make sure there are no missing or defective parts. Failure to report missing parts within 30 days may result in denial of free replacement. Improper installation may cause damage or serious injury. Do not use this product for any purpose that is not explicitly specified in this manual. Do not exceed weight capacity. We cannot be liable for damage or injury caused by improper mounting, incorrect assembly or inappropriate use.



WARNING: CHOKING HAZARD

SMALL PARTS - NOT FOR CHILDREN UNDER 3 YEARS. ADULT SUPERVISION IS REQUIRED.

Need Help? We're Here For You

US-Based Customer Support from Trained Professionals

Monday-Friday from 7am-7pm CST

Saturday 8am-4pm CST



Email Us

help@vivo-us.com



Chat with Live Agent

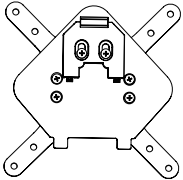
www.vivo-us.com



Give Us a Call

309-278-5303 ext. 1

Package Contents



A (x1)
VESA Adapter



S-A (x4)
M4x8mm Screw

Tools Needed:



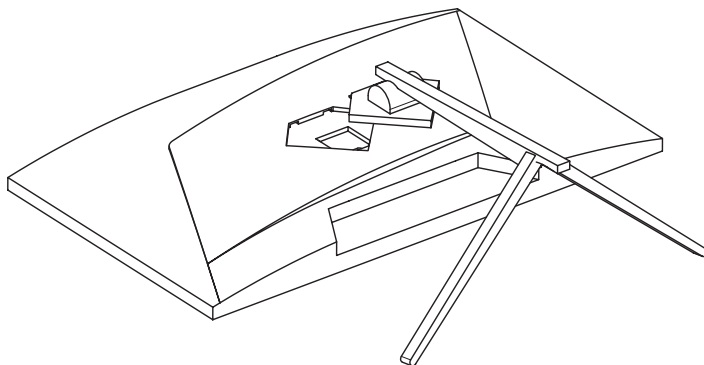
**Phillips
Screwdriver**



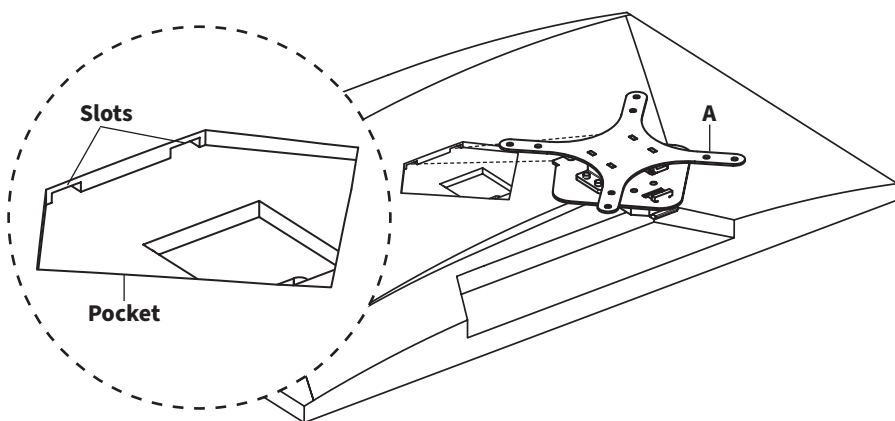
Assembly Video & Product Info
www.vivo-us.com/products/mount-src275

Assembly Steps

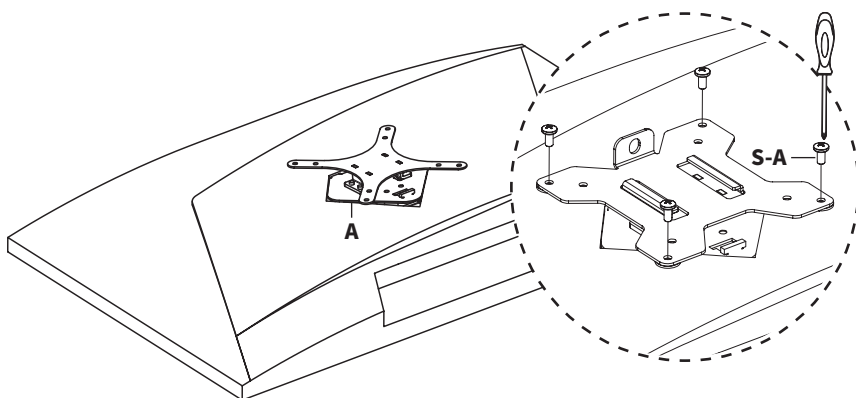
Remove the stand from the monitor following the manufacturer's instructions.



Insert the tabs on VESA Adapter (**A**) into the **Slots** on the top side of the **Pocket** on the back of your monitor.



Install your monitor stand's VESA Plate (not included) to the VESA Adapter (**A**) using M4x8mm Screws (**S-A**) and a Phillips screwdriver.





Need Help? **We're Here For You**

Monday-Friday from 7am-7pm CST

Saturday 8am-4pm CST



Email Us
help@vivo-us.com



Chat with Live Agent
www.vivo-us.com



Give Us a Call
309-278-5303 ext. 1



VIVO-us



@vivo_us



@VIVOus



VIVO