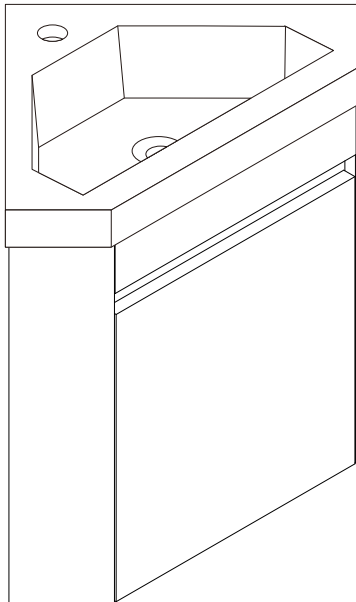
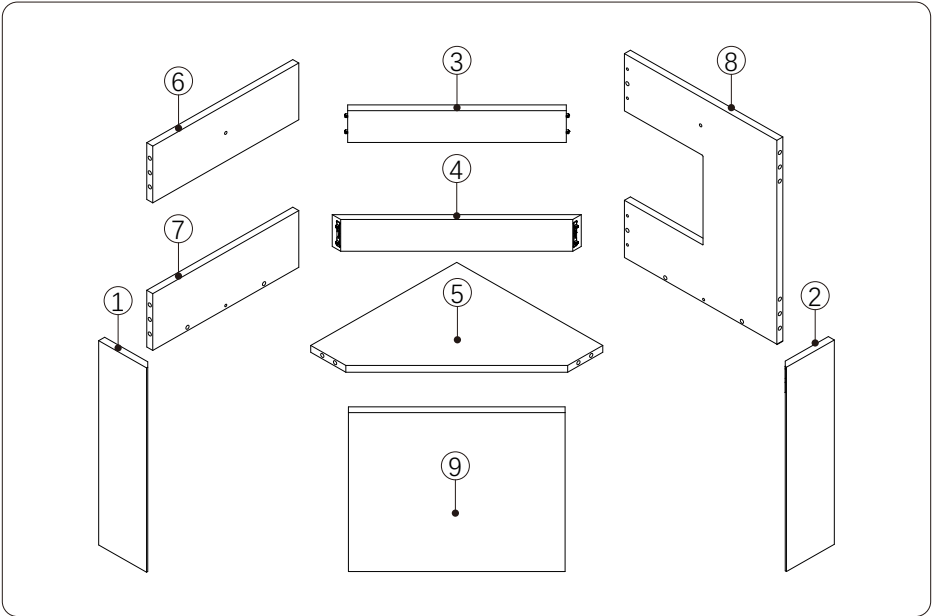


Installation & Assembly

Thank you for purchasing product. All products are carefully engineered and factory tested for durability under normal conditions. We develop our products for simple installation. Follow our instruction to help you easily install your Vanity Set.







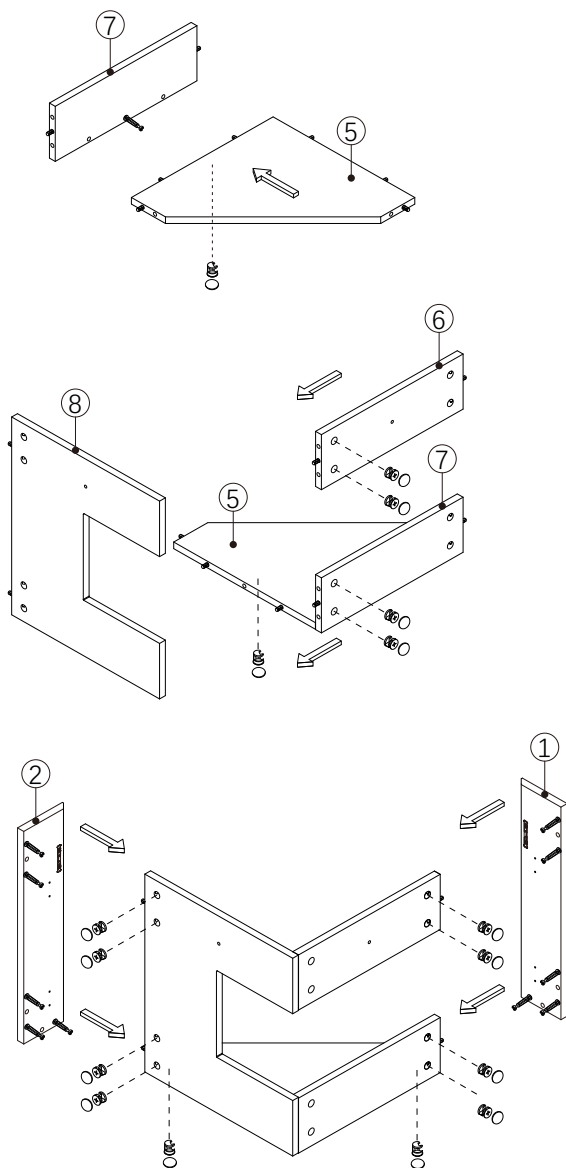


No.	Description	QTY
1	Left Side Board	1
2	Right Side Board	1
3	Connect board 3	1
4	Connect board 4	1
5	Connect board 5	1
6	Connect board 6	1
7	Connect board 7	1
8	Connect board 8	1
9	Door	1

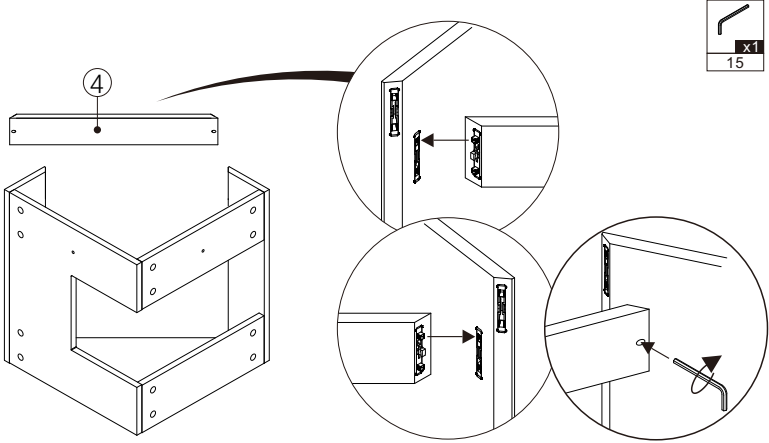
No.	Drawing	Description	QTY
10		Three-in-one Connector	16
11		Wood Plug	12
12		Screws M4x14	12
13		Hinges	2
14		Bumper Foam	1
15		Tool For Metal Spare Parts	1
16		Screws For Fix On The Wall M5.5x60	2

Step1

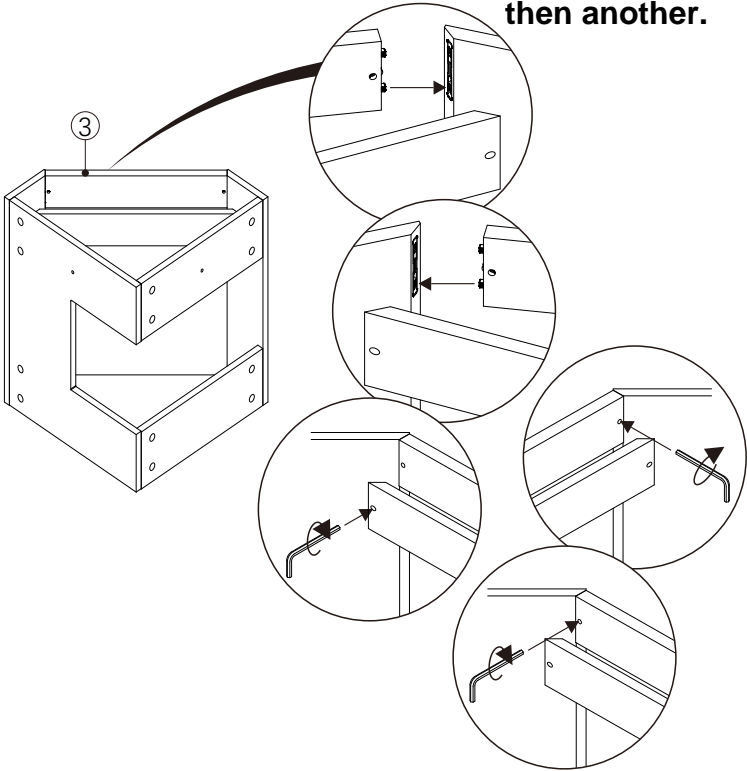
 x16 10	 x16 10	 x16 10	 x12 11
--	--	--	--



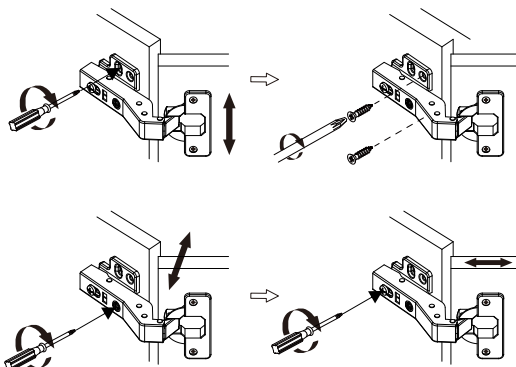
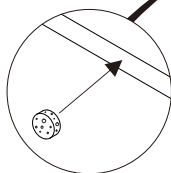
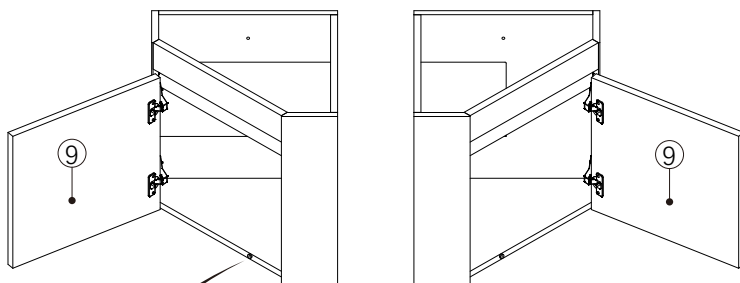
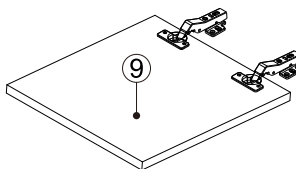
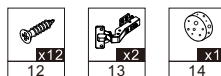
Step2



**lock one side first,
then another.**

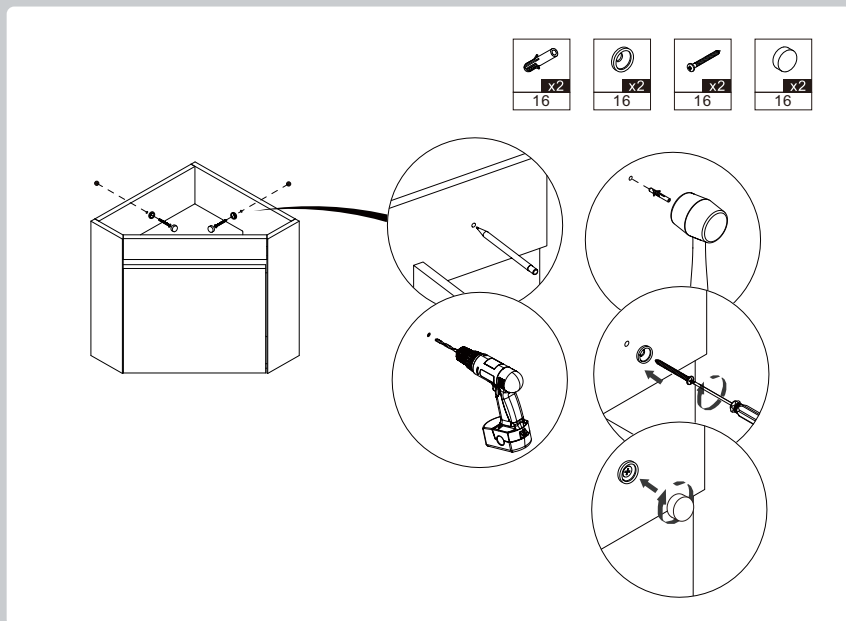


Step3



Adjust the screws as shown on the sketch map to ensure all the door gaps are in the same level.

Step4



Step5

