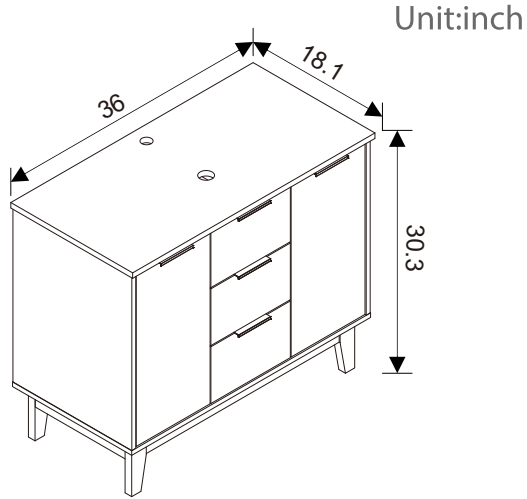


PXYFHM39HT_A

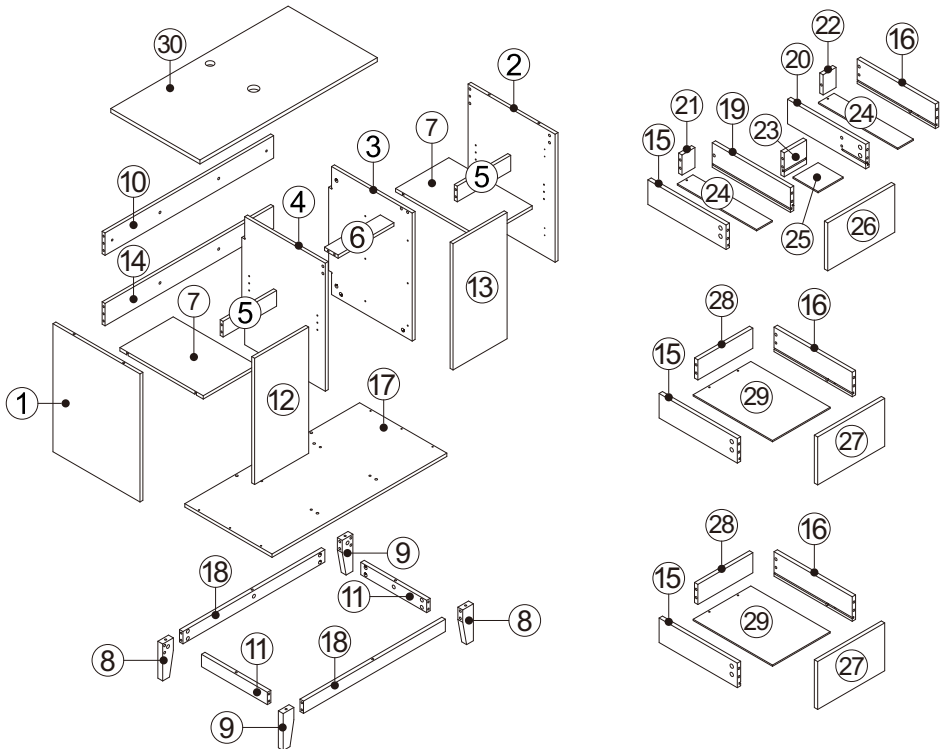
INSTALLATION INSTRUCTIONS

*The vessel and faucet set is not included

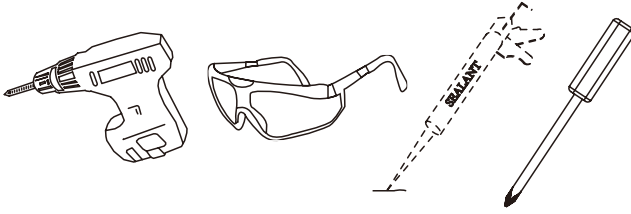
DIMENSIONS



ASSEMBLY DIAGRAM



YOU MAY NEED (NOT SUPPLIED)

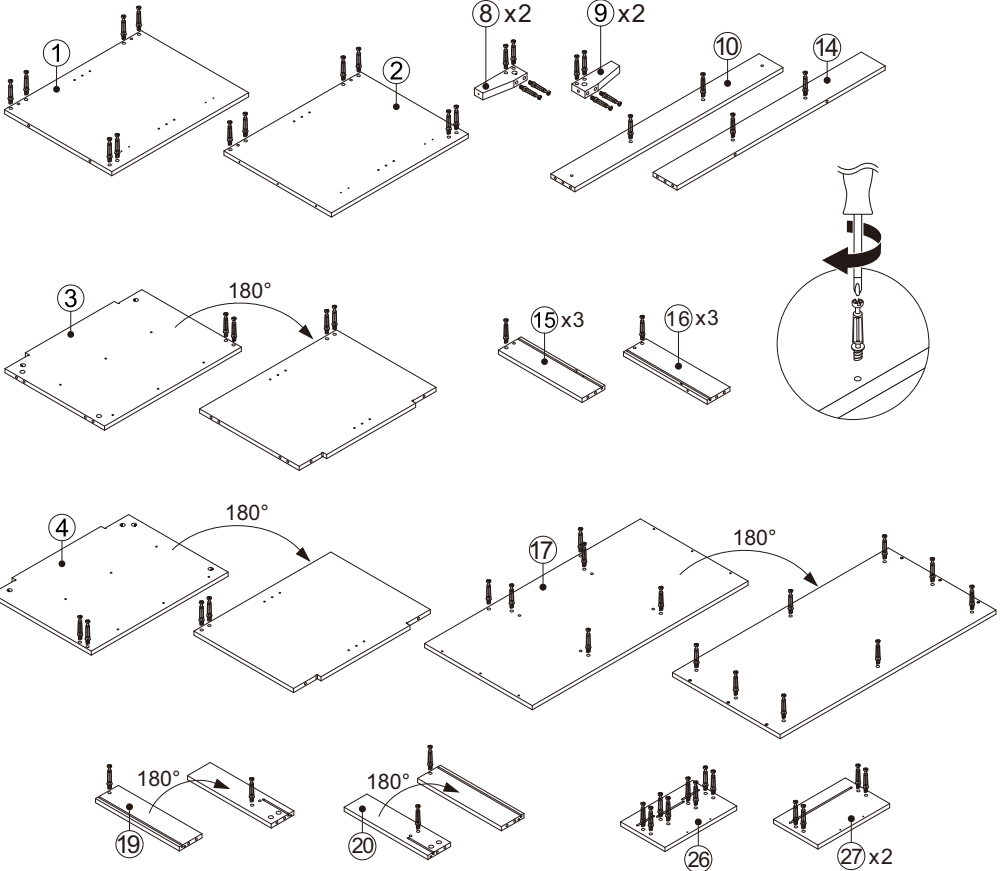


INSTALLATIONS



STEP 1

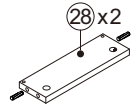
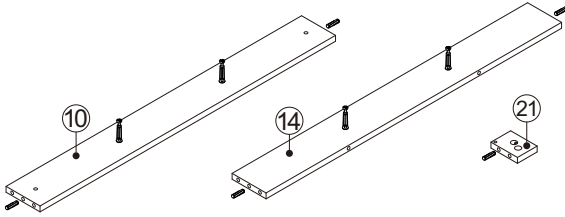
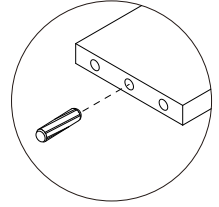
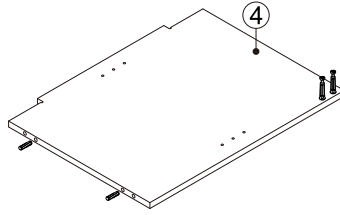
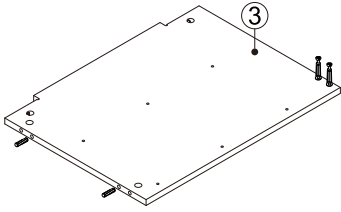
HARDWARE LIST

A	 80PCS	
---	---	--




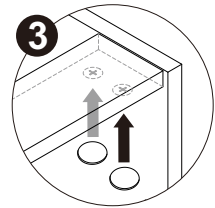
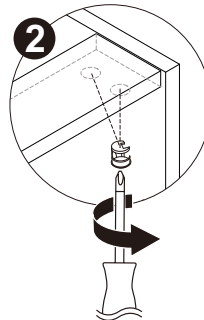
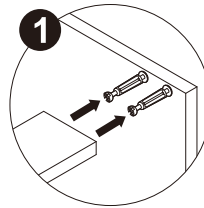
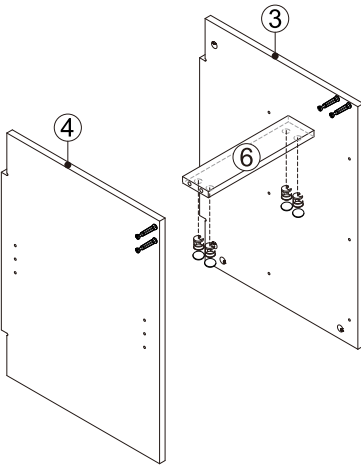
STEP 2

HARDWARE LIST		
B		16PCS
		





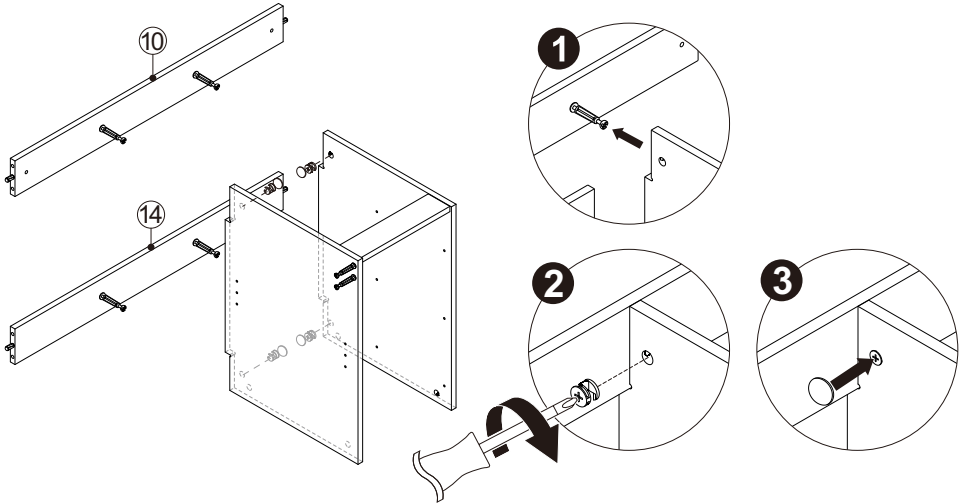
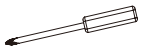
STEP 3

HARDWARE LIST		
A		4PCS
A		4PCS
		



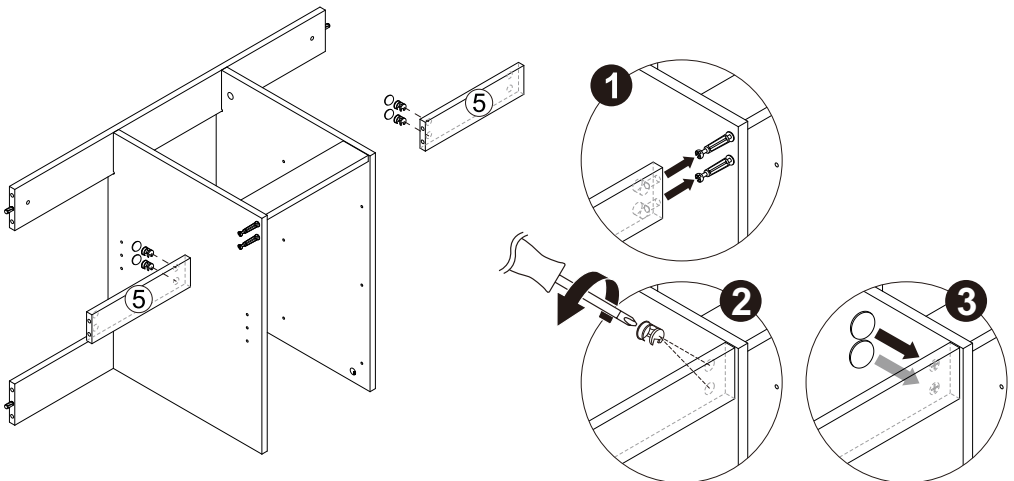
STEP 4

HARDWARE LIST		
A		4PCS
A		4PCS



STEP 5

HARDWARE LIST		
A		4PCS
A		4PCS

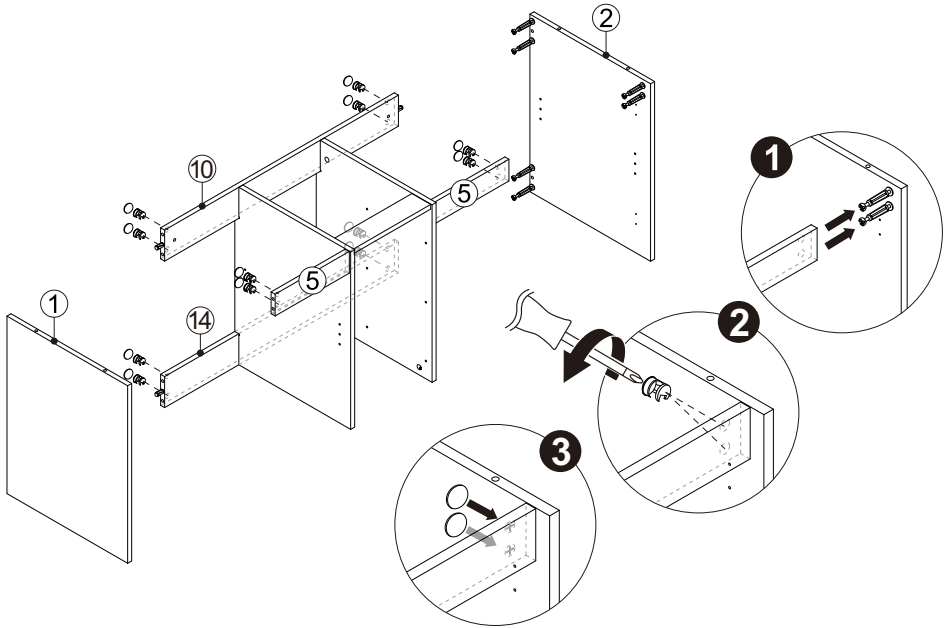
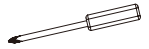


STEP 6

HARDWARE LIST

A  12PCS

A  12PCS



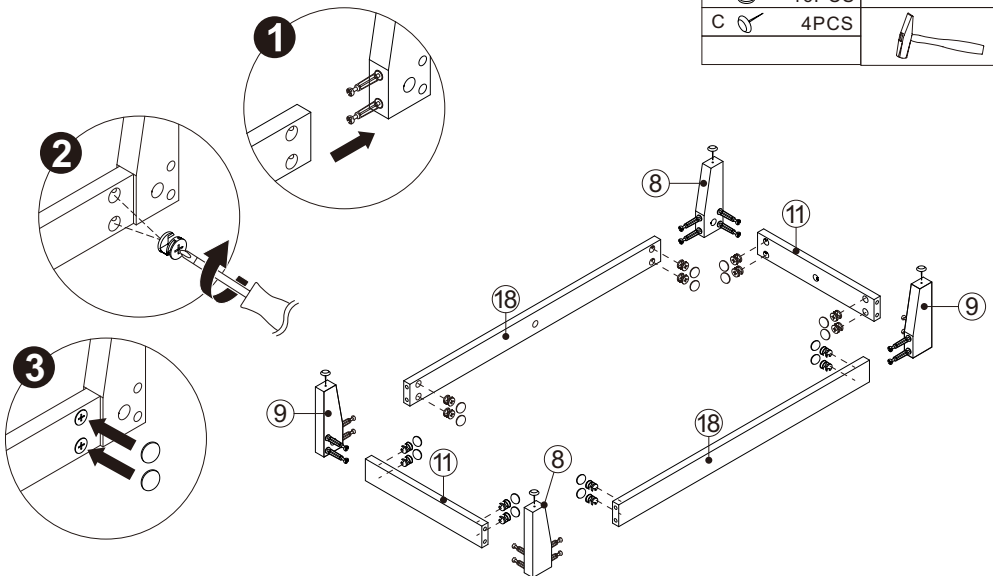
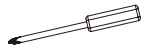
STEP 7

HARDWARE LIST



A  16PCS

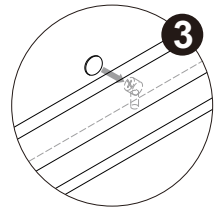
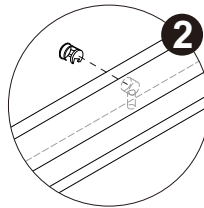
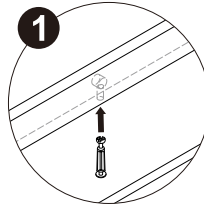
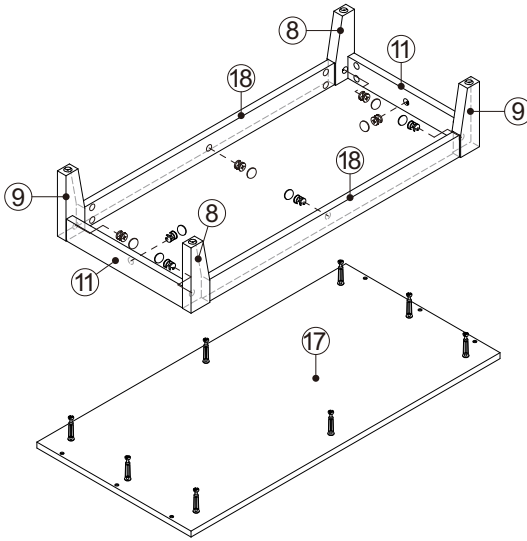
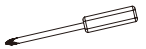
A  16PCS

C  4PCS






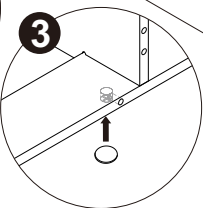
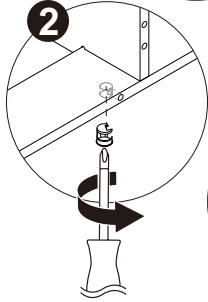
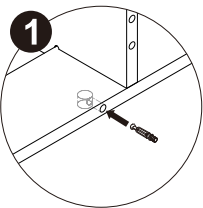
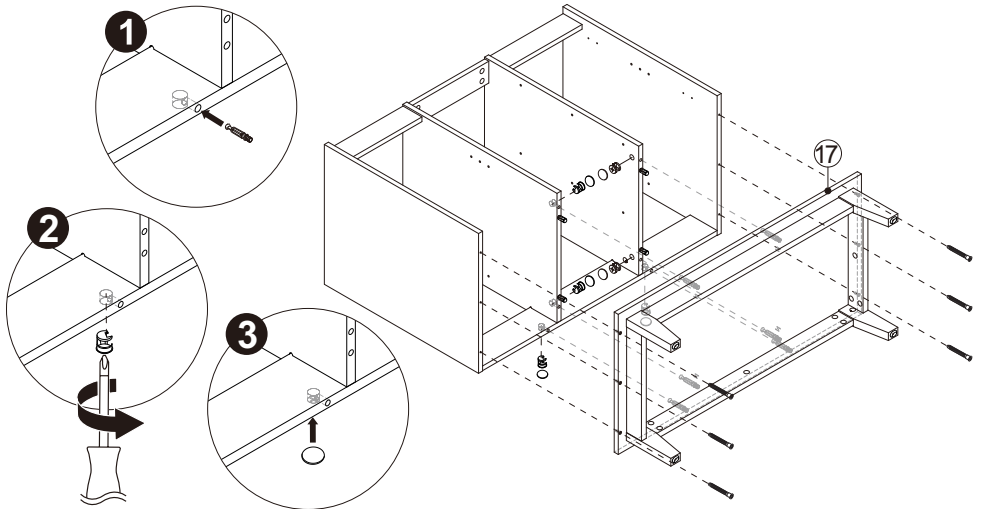
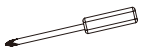
STEP 8

HARDWARE LIST		
A		8PCS
A		8PCS







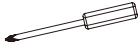
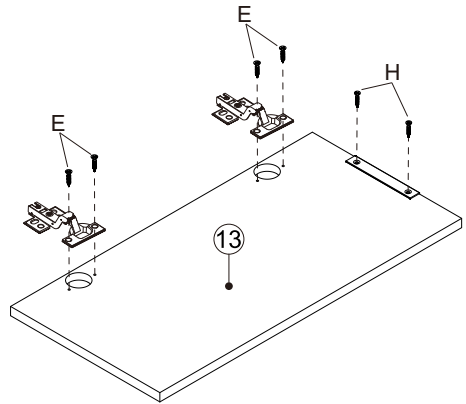
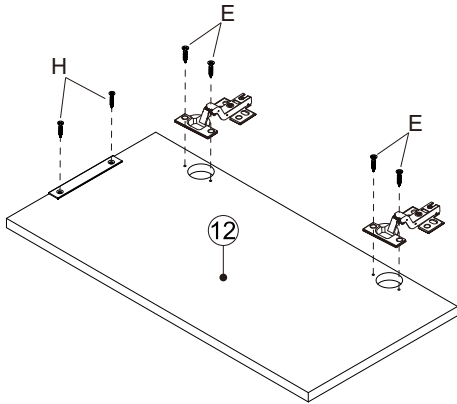
STEP 9

HARDWARE LIST		
A		6PCS
A		6PCS
D		6PCS



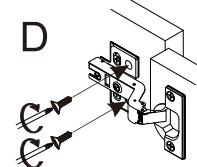
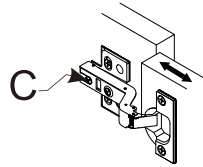
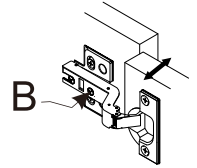
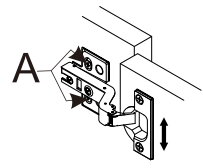
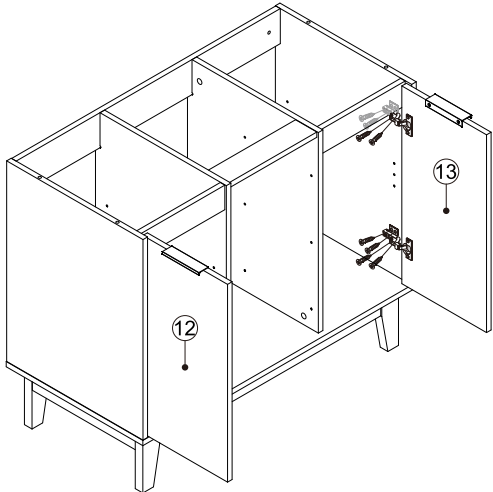
STEP 10

HARDWARE LIST	
E 	8PCS
F 	4PCS
H 	4PCS
G 	2PCS

STEP 11

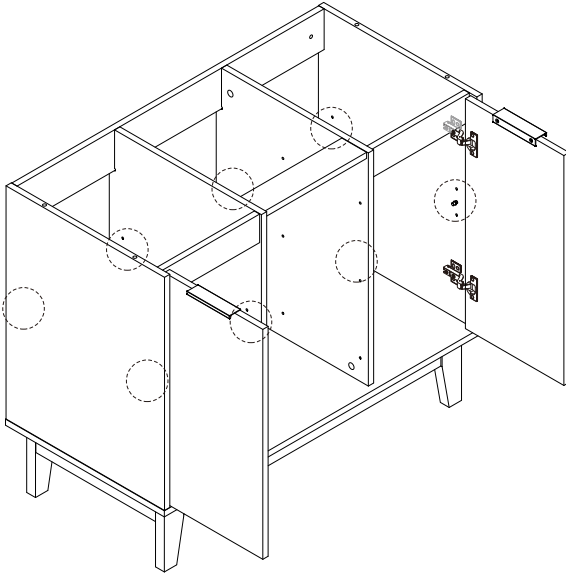
HARDWARE LIST	
E 	16PCS





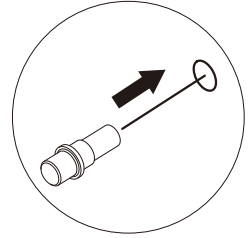
- A.Height adjustment
- B.Side to side adjustment
- C.Depth adjustment
- D.After adjustment A/B/C,tighten screws.

● To ensure proper cabinet alignment, refer to the above illustrations for instructions about adjusting the cabinet height, depth and lateral movement.

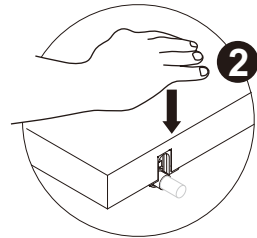
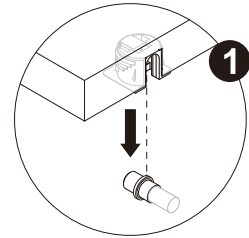
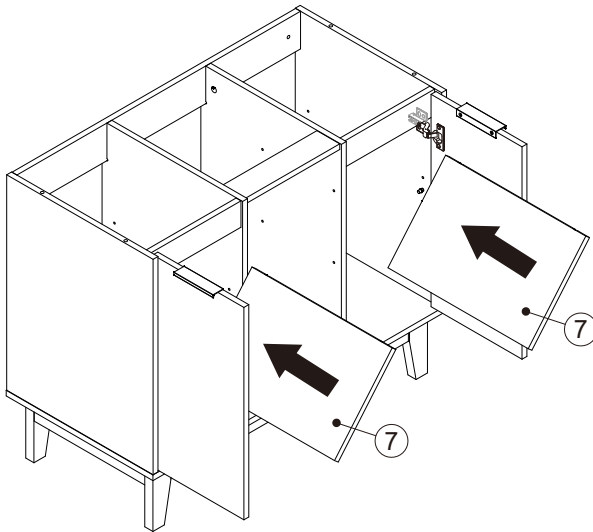
STEP 12



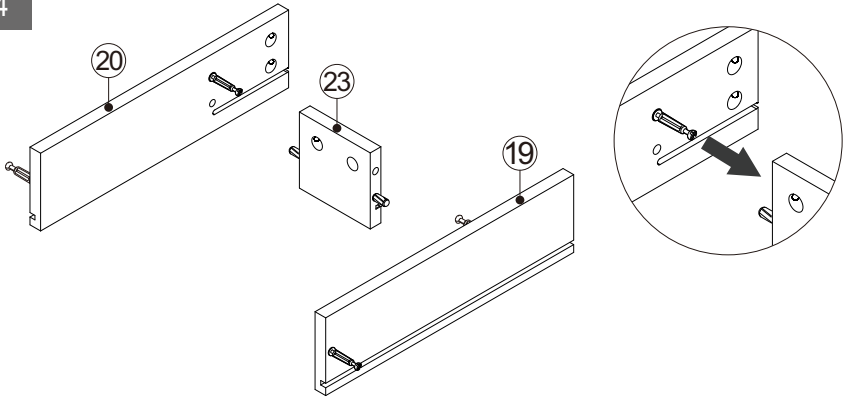
HARDWARE LIST		
I		8PCS
		



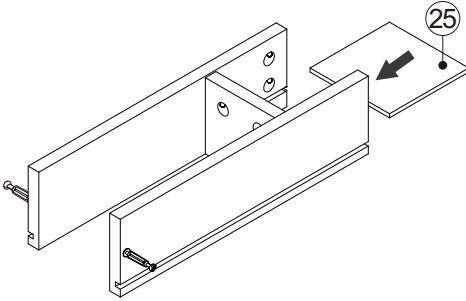
STEP 13



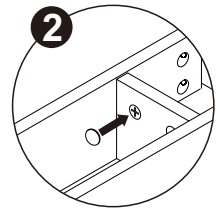
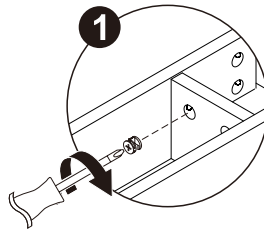
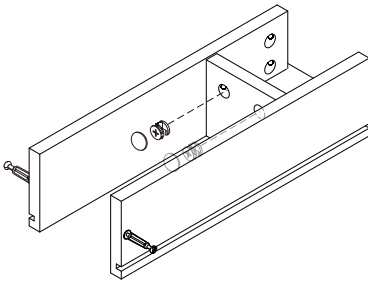
STEP 14





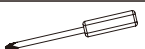
STEP 15



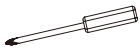
STEP 16

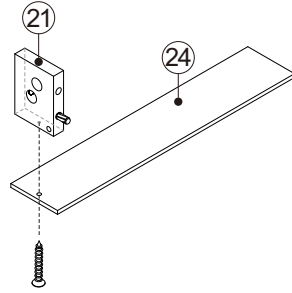
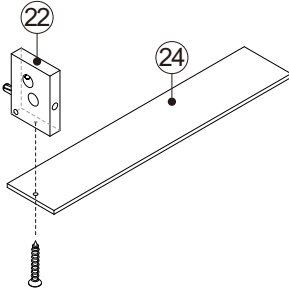


HARDWARE LIST		
A		2PCS
A		2PCS

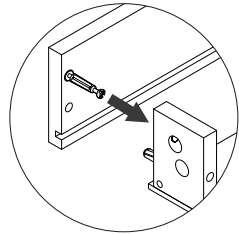
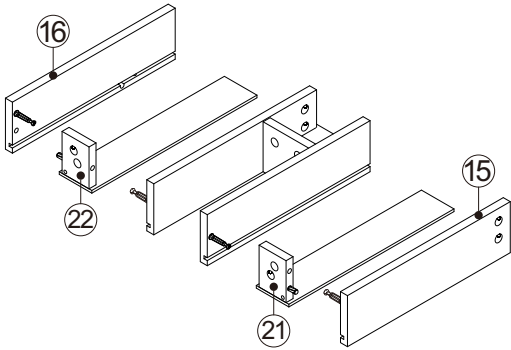


STEP 17

HARDWARE LIST		
L		2PCS
		

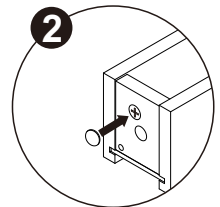
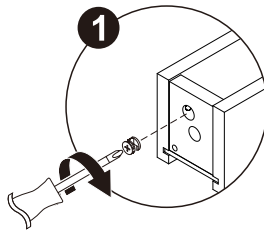
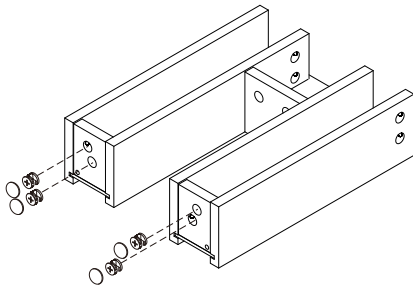


STEP 18







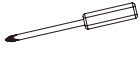
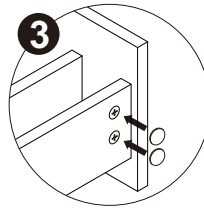
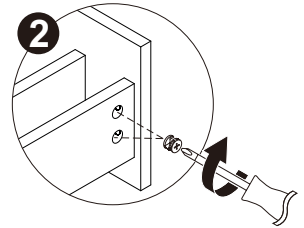
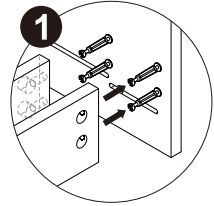
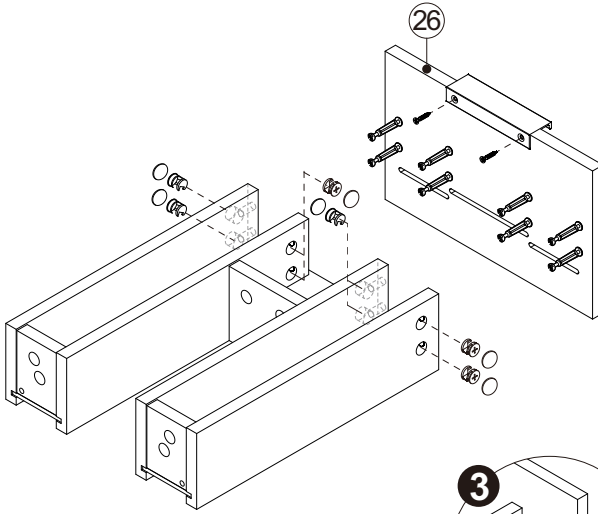
STEP 19

HARDWARE LIST		
A		4PCS
A		4PCS
		



STEP 20

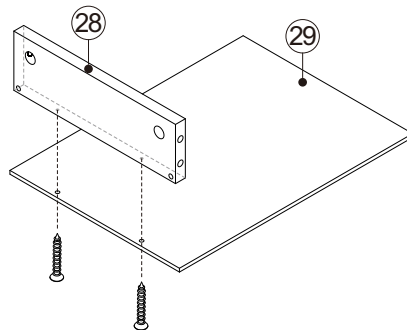
HARDWARE LIST		
A		8PCS
A		8PCS
H		2PCS
G		1PCS

STEP 21

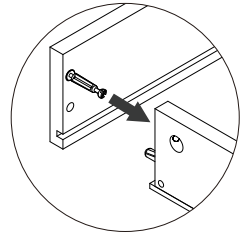
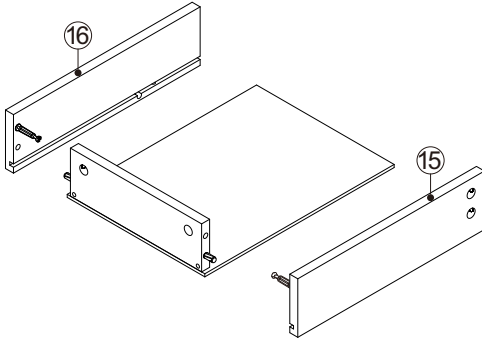
x2

HARDWARE LIST		
L		4PCS

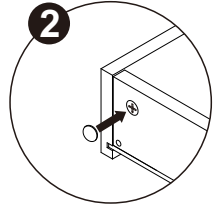
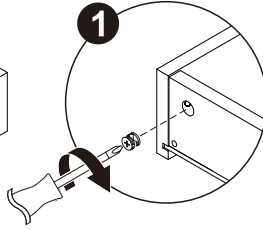
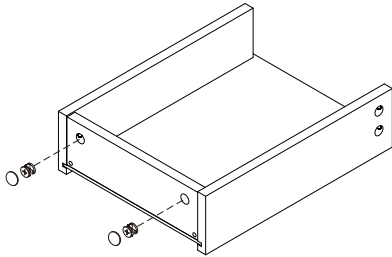
STEP 22



x2

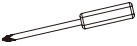


STEP 23

x2

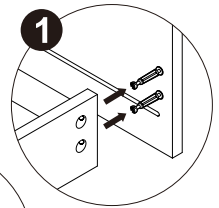
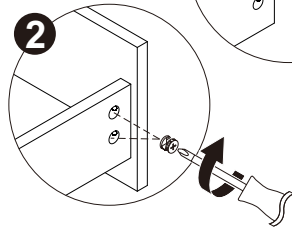
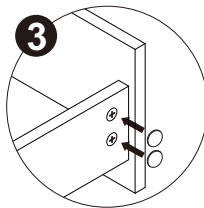
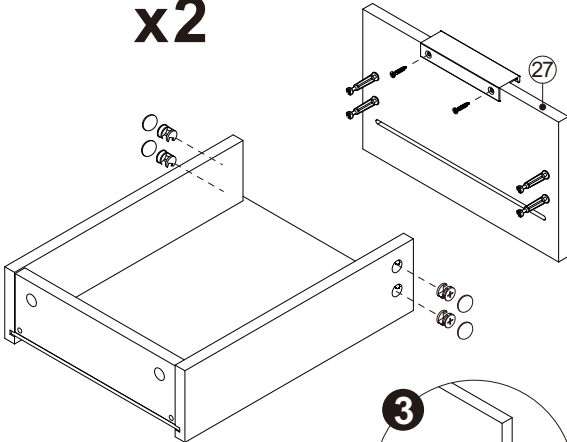






HARDWARE LIST		
A		4PCS
A		4PCS

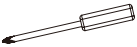


STEP 24


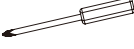



x2

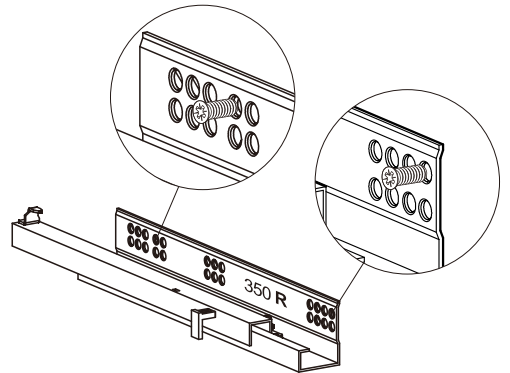
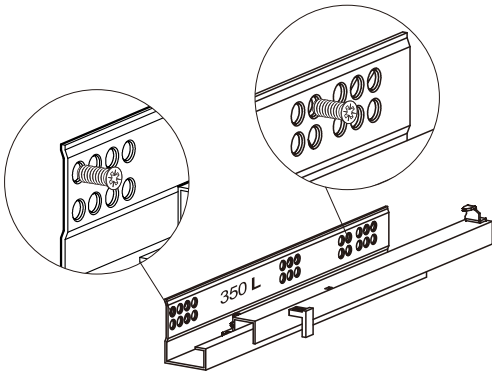
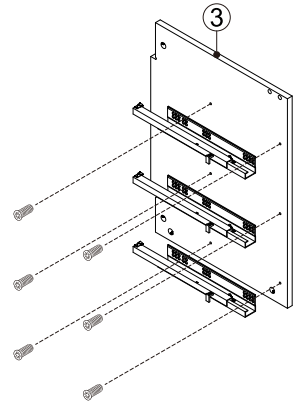
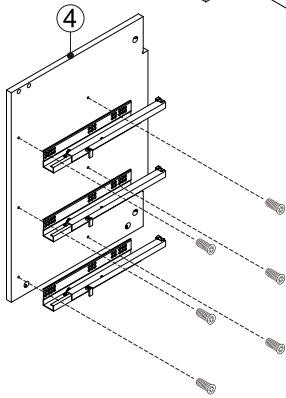
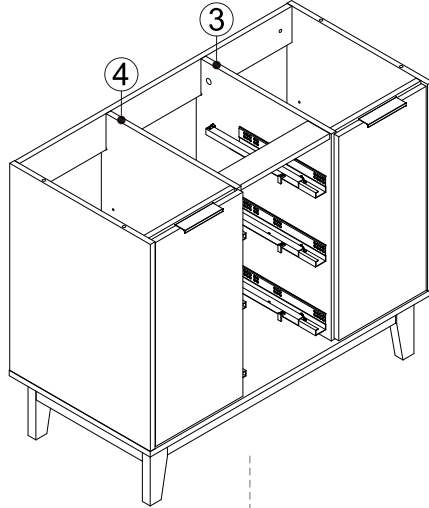


HARDWARE LIST		
A		8PCS
A		8PCS
H		4PCS
G		2PCS

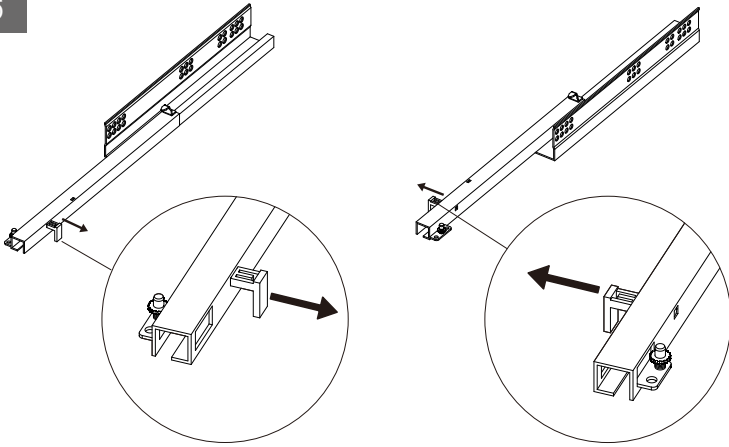


STEP 25

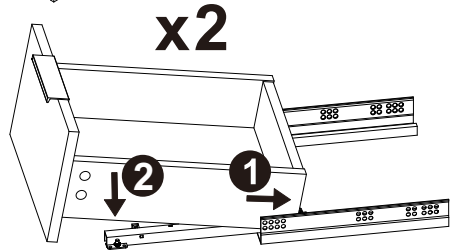
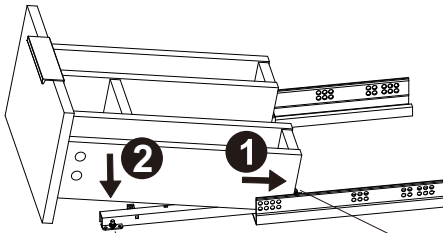
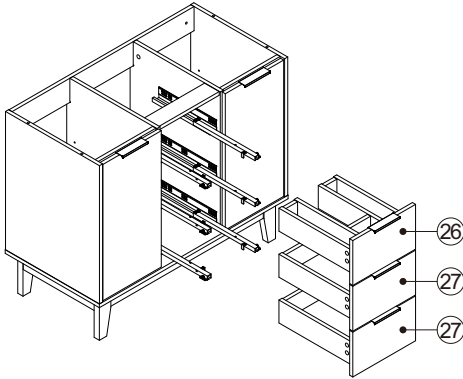
HARDWARE LIST			
L		3PCS	
M			
R			
N		12PCS	



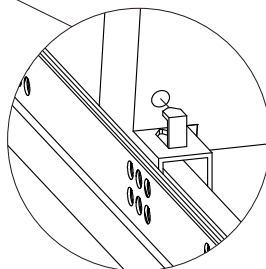
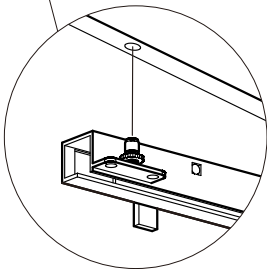
STEP 26



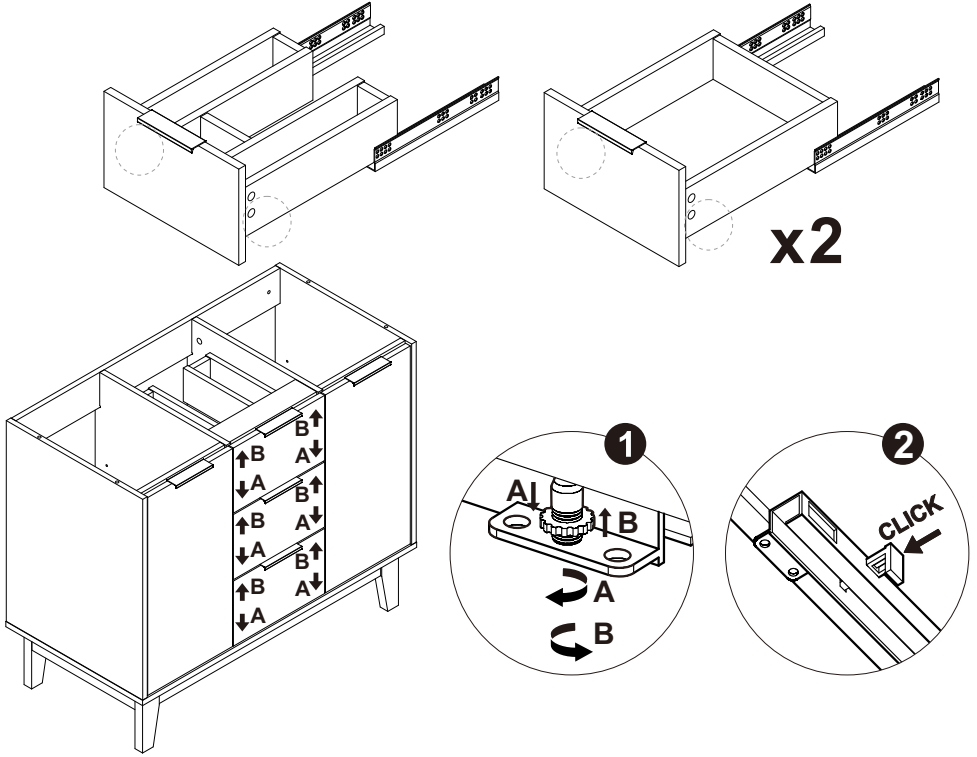
STEP 27



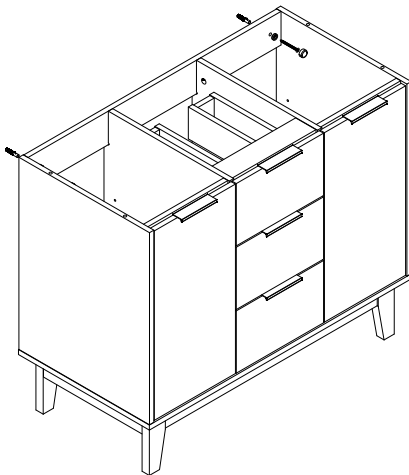
x2



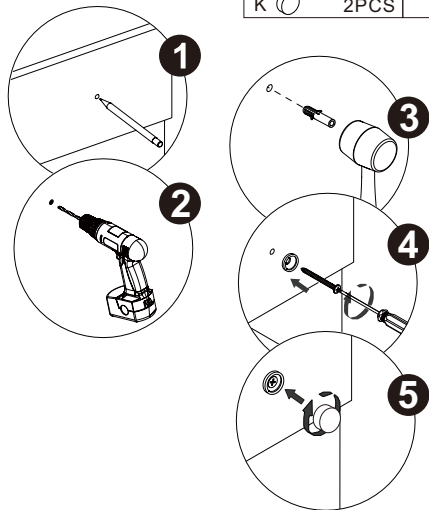
STEP 28





STEP 29

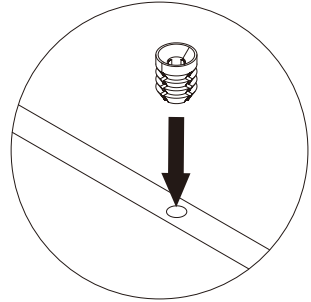
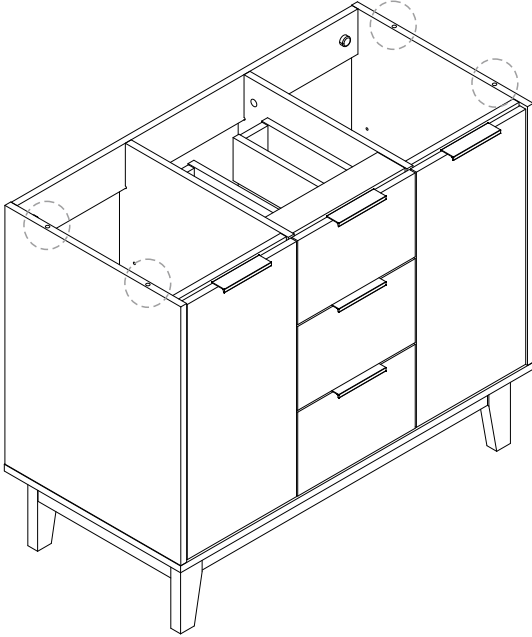


HARDWARE LIST		
K		2PCS
K		2PCS
K		2PCS
K		2PCS




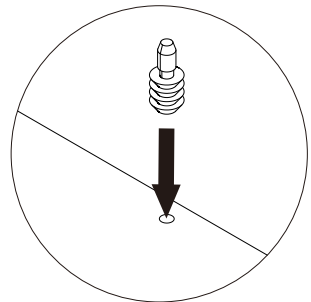
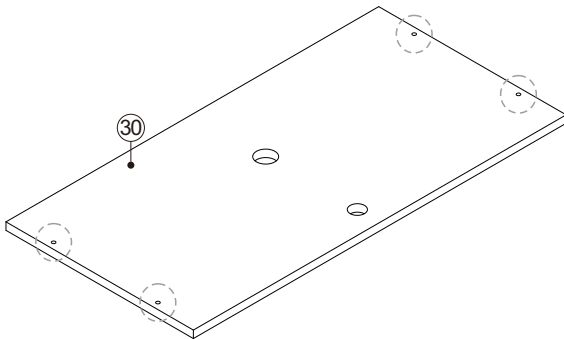
STEP 30

HARDWARE LIST			
J		4PCS	

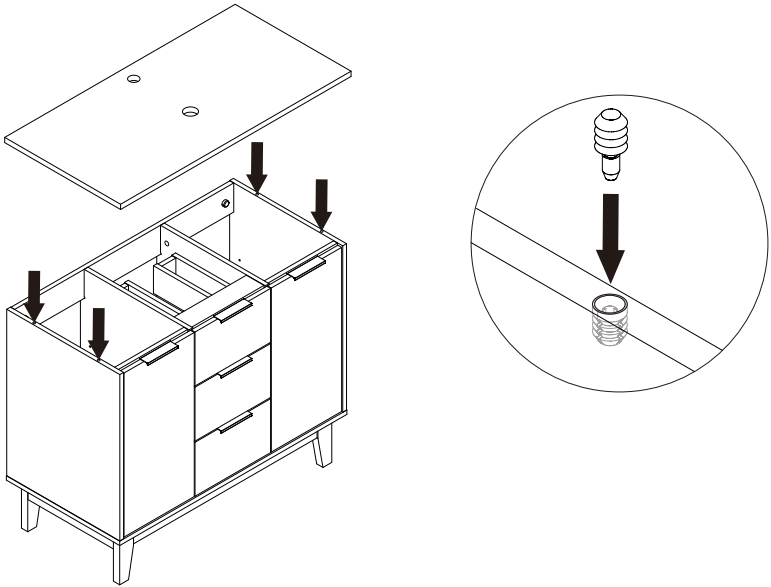


STEP 31

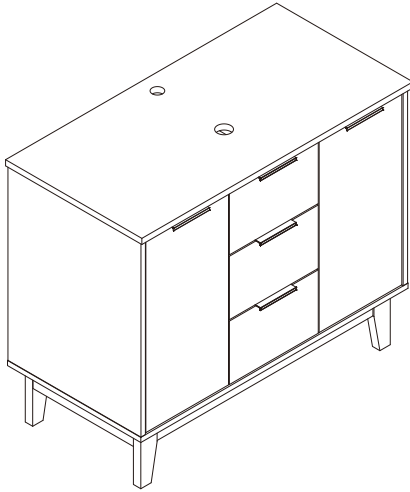
HARDWARE LIST			
J		4PCS	



STEP 32



STEP 33



- To help prevent mildew, apply sealant to the space between the wall and the edge of the cabinet.